



US00D950451S

(12) **United States Design Patent** (10) **Patent No.:** **US D950,451 S**  
**Li** (45) **Date of Patent:** **\*\* May 3, 2022**

(54) **VEHICLE SIDE STEP**  
(71) Applicant: **SHENZHEN SANGSHEN E-COMMERCE CO., LTD.**, Shenzhen (CN)  
(72) Inventor: **Chenghao Li**, Shenzhen (CN)  
(73) Assignee: **SHENZHEN SANGSHEN E-COMMERCE CO., LTD.**, Shenzhen (CN)  
(\*\*) Term: **15 Years**

D818,924 S *	5/2018	Baeza .....	D12/203
D840,309 S *	2/2019	Huang .....	D12/203
D842,790 S *	3/2019	Moctezuma .....	D12/203
D842,791 S *	3/2019	Zhu .....	D12/203
D843,908 S *	3/2019	Mosingo .....	D12/203
D847,716 S *	5/2019	Kim .....	D12/203
D864,068 S *	10/2019	Fichter .....	D12/203
D864,069 S *	10/2019	Fichter .....	D12/203
D864,827 S *	10/2019	DiCanzio .....	D12/203
D867,252 S *	11/2019	Lanini .....	D12/203
D868,661 S *	12/2019	Li .....	D12/203
D885,283 S *	5/2020	Moctezuma .....	D12/203
D886,019 S *	6/2020	Zhang .....	D12/203
D886,702 S *	6/2020	Guo .....	D12/203
D890,671 S *	7/2020	DiCanzio .....	D12/203

\* cited by examiner

(21) Appl. No.: **29/759,375**  
(22) Filed: **Nov. 23, 2020**  
(51) **LOC (13) Cl.** ..... **12-16**  
(52) **U.S. Cl.**  
USPC ..... **D12/203**  
(58) **Field of Classification Search**  
USPC ..... D12/203, 98, 314, 162, 190, 196  
CPC .. B60R 3/02; B60R 3/00; B60R 3/002; B60R 3/005; B60R 3/007  
See application file for complete search history.

*Primary Examiner* — Michelle E. Wilson  
*Assistant Examiner* — Clese Moore, Jr.

(57) **CLAIM**

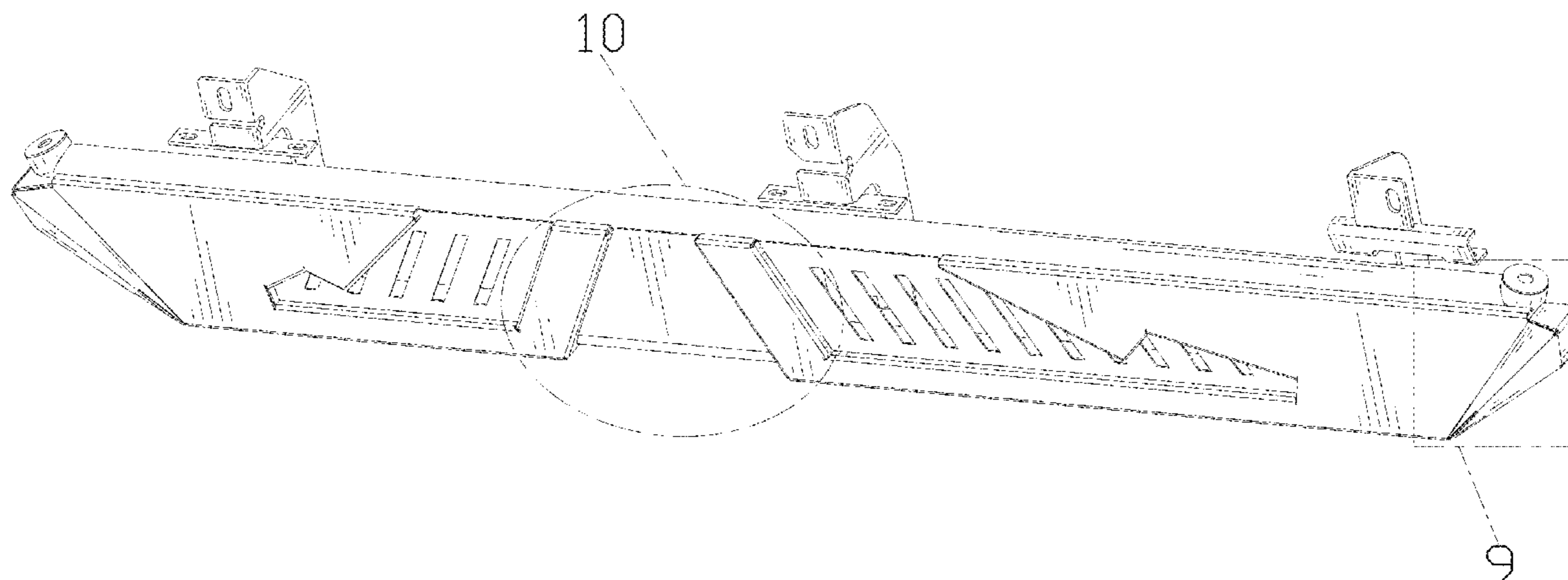
The ornamental design for a vehicle side step, as shown and described.

**DESCRIPTION**

FIG. 1 is a perspective view of a vehicle side step showing my new design;  
FIG. 2 is another perspective view thereof;  
FIG. 3 is a front elevational view thereof;  
FIG. 4 is a rear elevational view thereof;  
FIG. 5 is a left side elevational view thereof;  
FIG. 6 is a right side elevational view thereof;  
FIG. 7 is a top plan view thereof;  
FIG. 8 is a bottom plan view thereof;  
FIG. 9 is an enlarged view of portion 9 shown in FIG. 1; and,  
FIG. 10 is an enlarged view of portion 10 shown in FIG. 1.  
The broken lines in the drawings depict portions of the vehicle side step that form no part of the claimed design.

(56) **References Cited**  
U.S. PATENT DOCUMENTS  
D436,336 S \* 1/2001 Sadr ..... D12/203  
D473,178 S \* 4/2003 Schumacher ..... D12/203  
D535,928 S \* 1/2007 Crandall ..... D12/203  
D720,674 S \* 1/2015 Stanesic ..... D12/203  
D737,188 S \* 8/2015 Perkins ..... D12/203  
D789,857 S \* 6/2017 Hare ..... D12/203  
D789,858 S \* 6/2017 Hare ..... D12/203  
D805,986 S \* 12/2017 Chi ..... D12/203  
D807,804 S \* 1/2018 Huang ..... D12/203  
D809,446 S \* 2/2018 Montoya ..... D12/203  
D817,838 S \* 5/2018 Dionisopoulos ..... D12/203

**1 Claim, 10 Drawing Sheets**



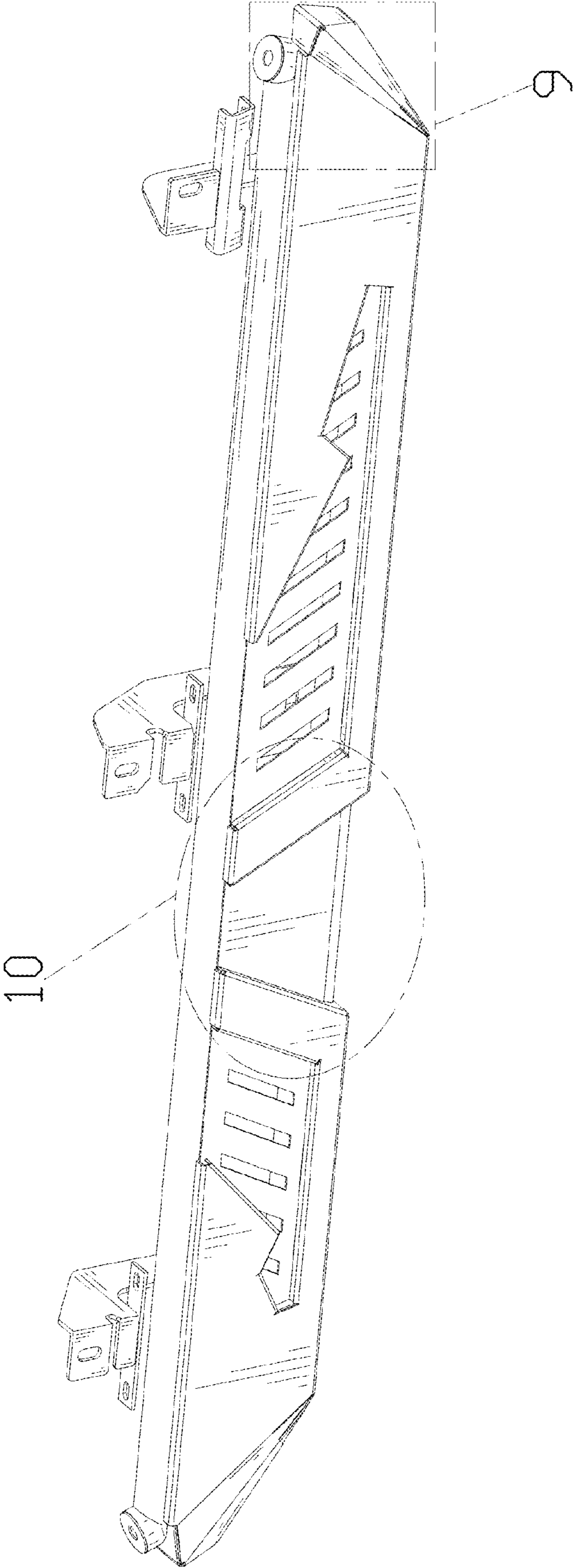


FIG. 1

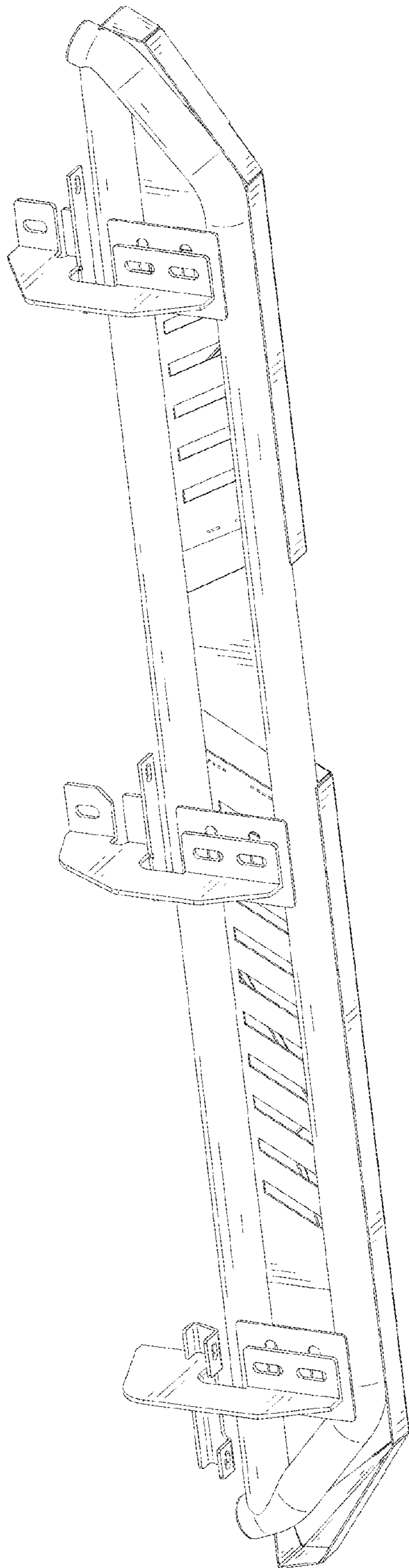


FIG. 2

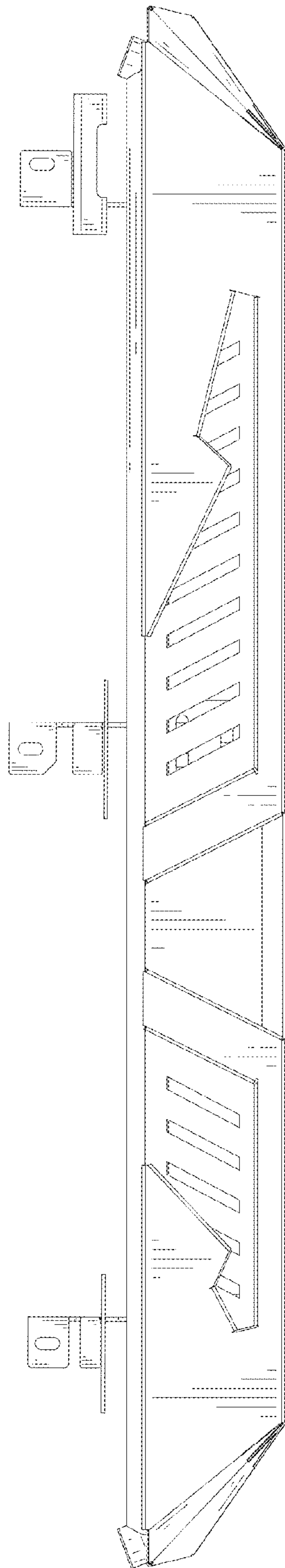


FIG. 3

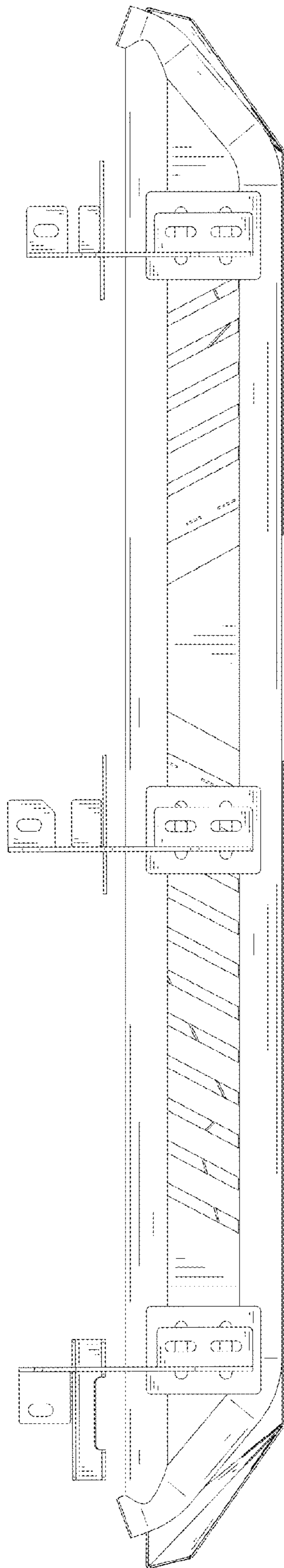


FIG. 4

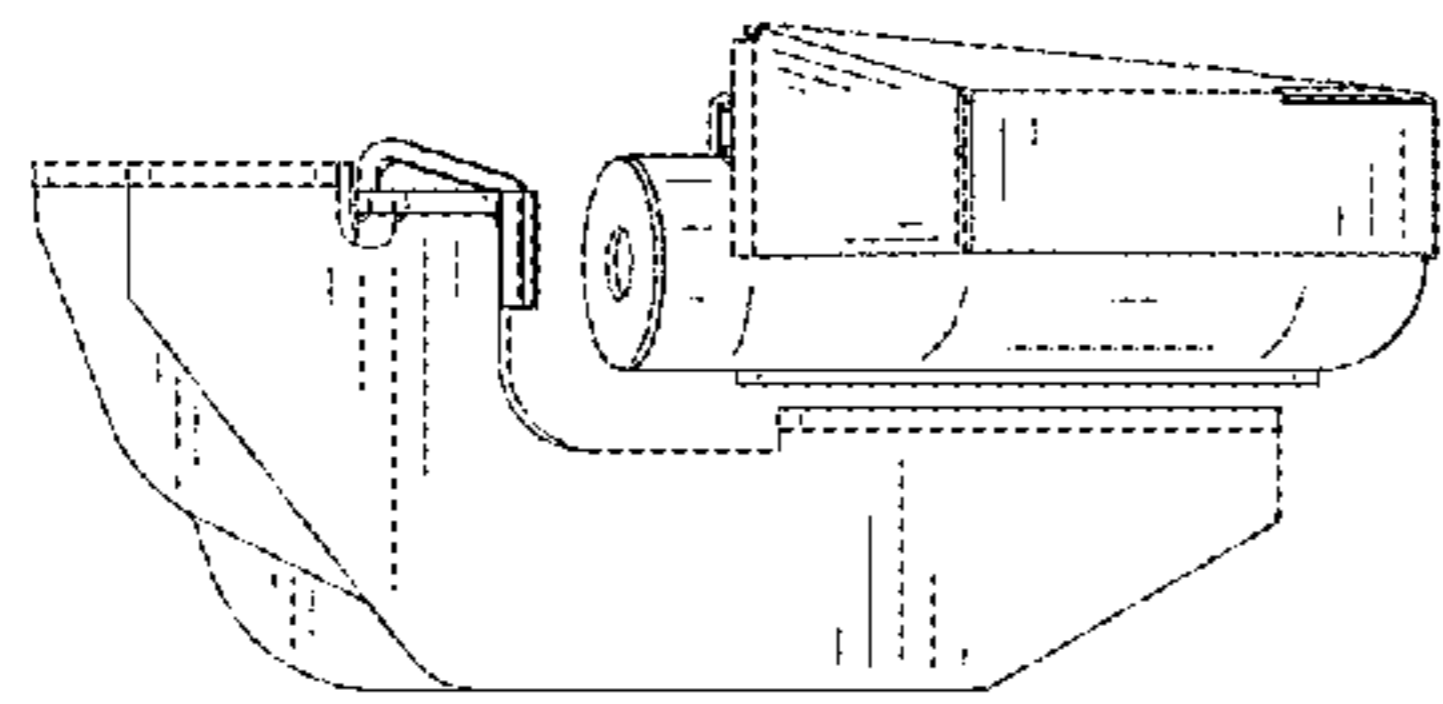


FIG. 5

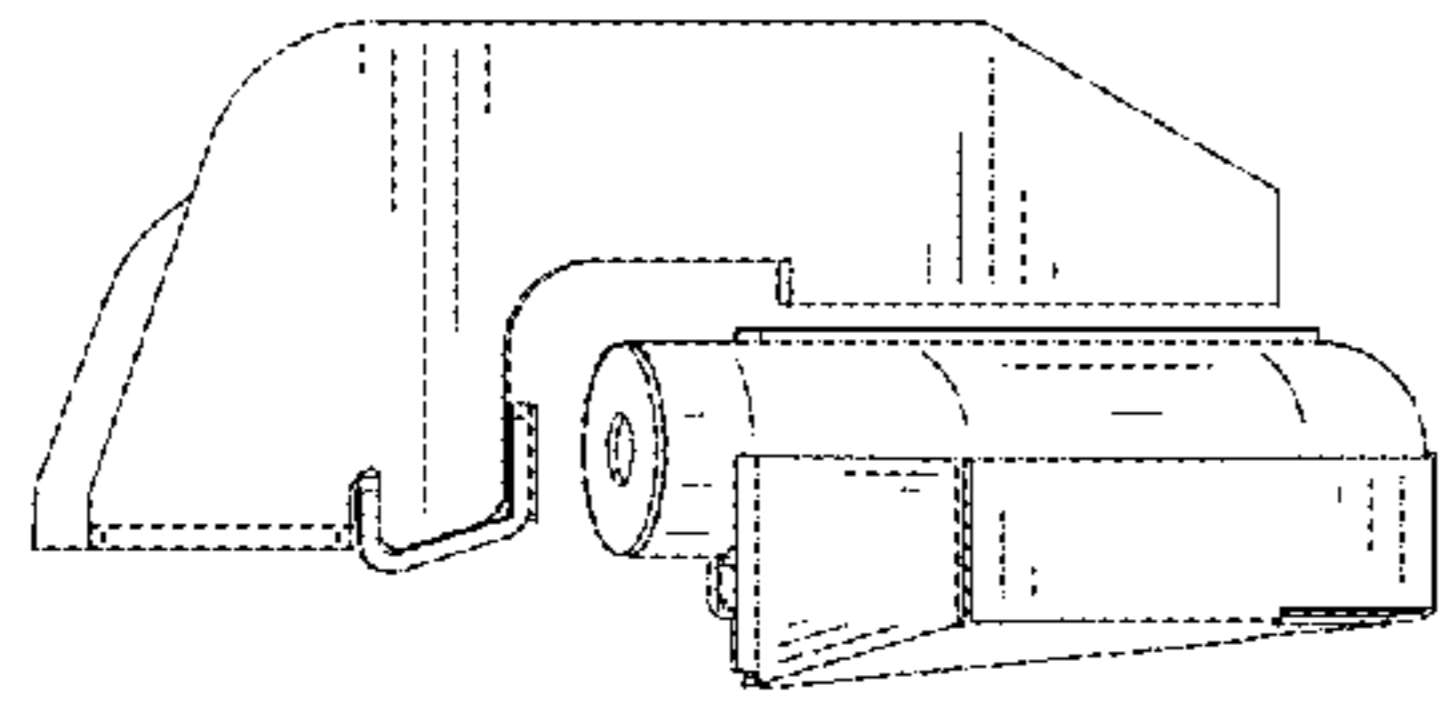


FIG. 6

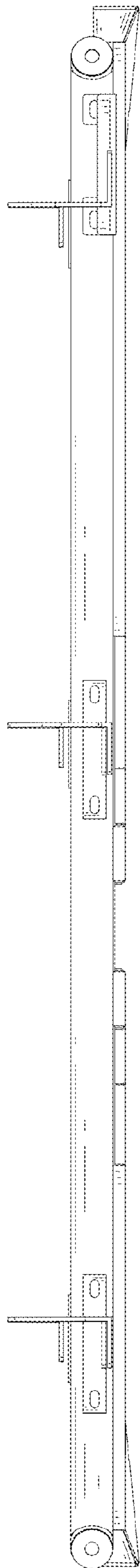


FIG. 7



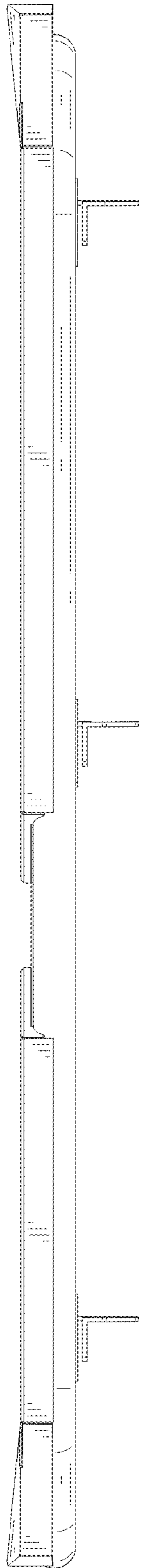


FIG. 8

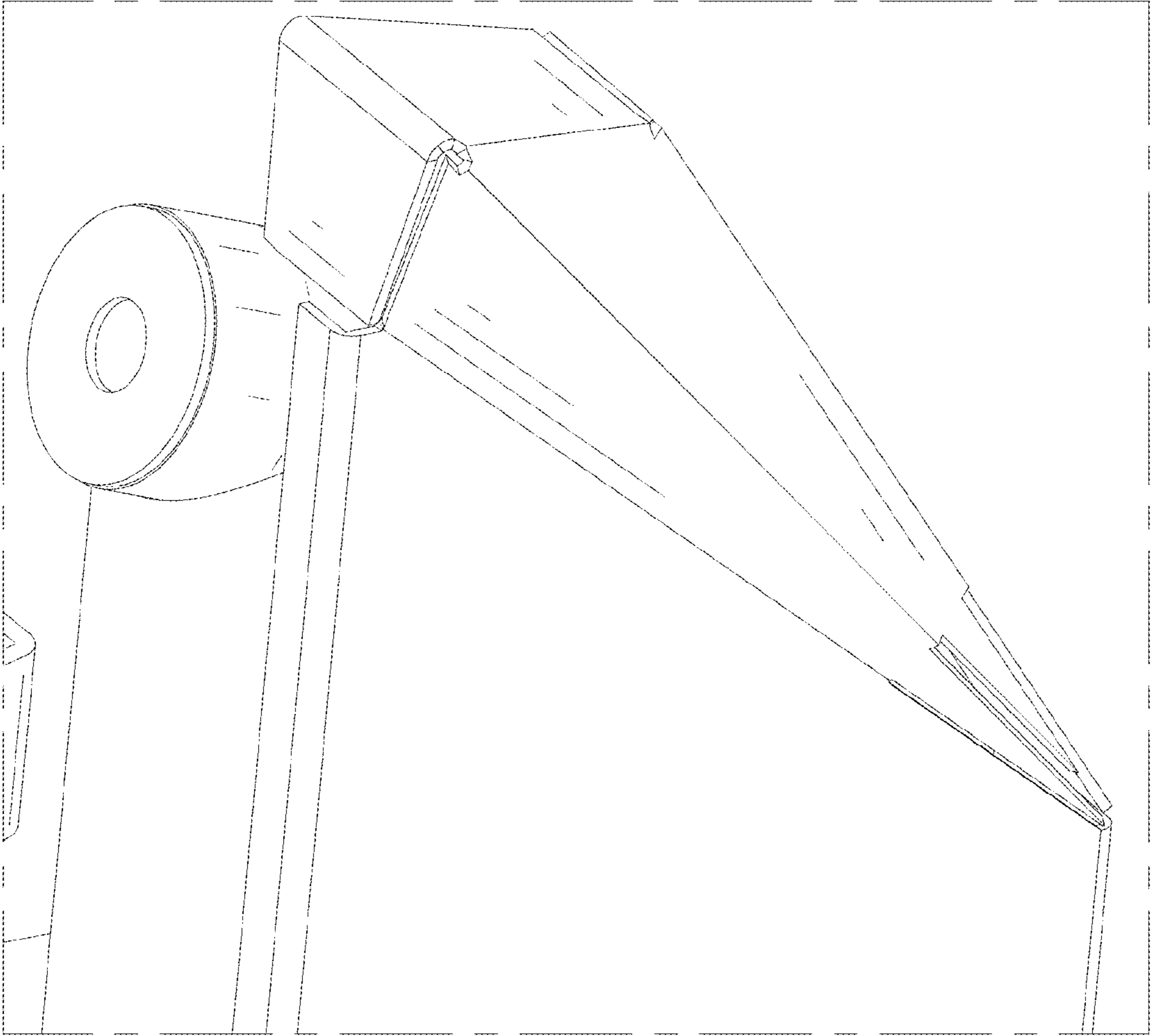


FIG. 9

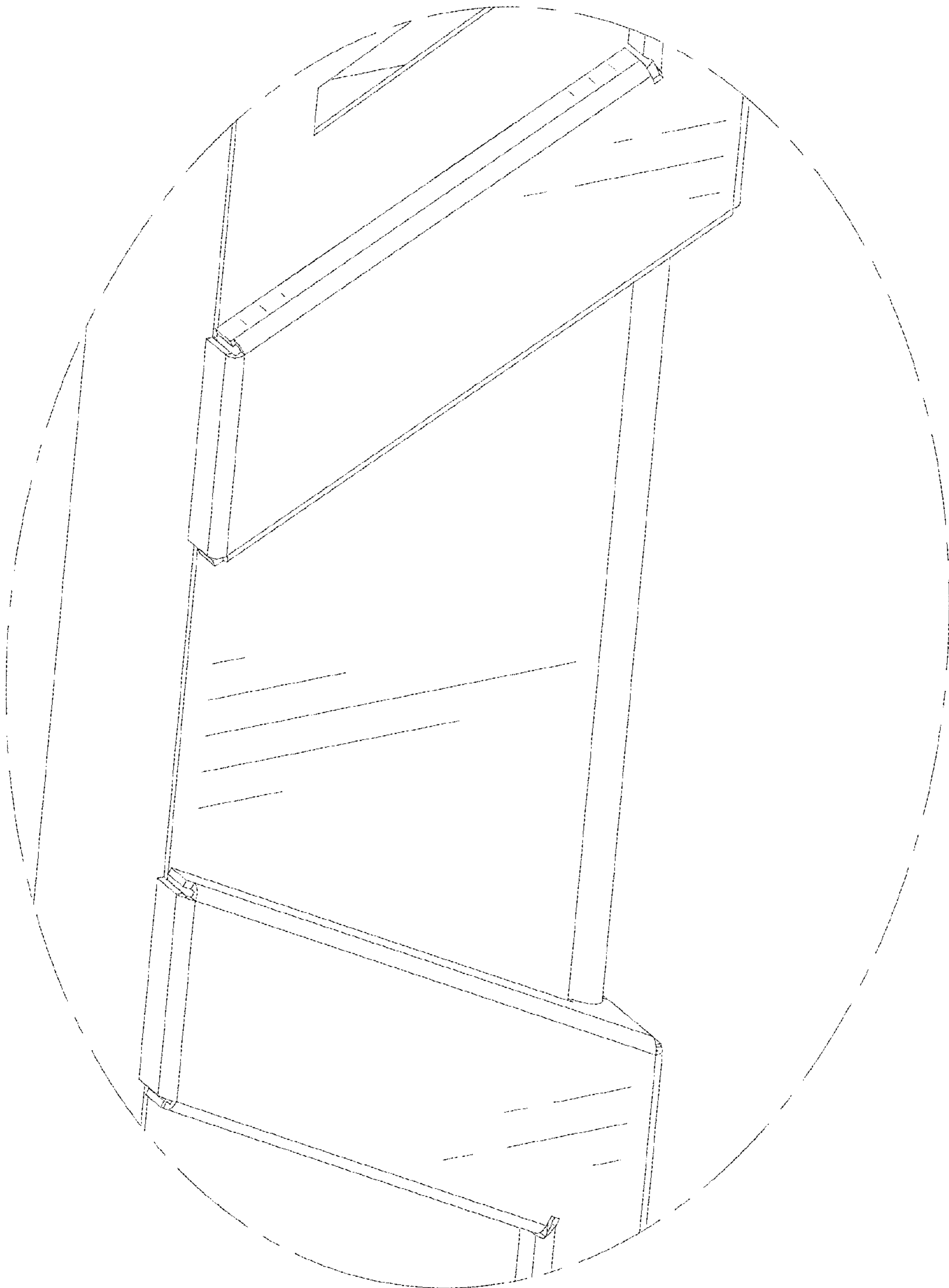


FIG. 10