

US00D950447S

(12) **United States Design Patent** (10) **Patent No.:** **US D950,447 S**
Lin (45) **Date of Patent:** **** May 3, 2022**

(54) **LICENSE PLATE FRAME BOX**
(71) Applicant: **Xiaoyan Lin**, Wenzhou (CN)
(72) Inventor: **Xiaoyan Lin**, Wenzhou (CN)
(**) Term: **15 Years**
(21) Appl. No.: **29/797,535**
(22) Filed: **Jul. 1, 2021**
(51) **LOC (13) Cl.** **12-16**
(52) **U.S. Cl.**
USPC **D12/193**
(58) **Field of Classification Search**
USPC D12/193; D6/300, 301, 302, 310, 311,
D6/312, 313, 314; D20/13
CPC B60R 13/10; B60R 13/105; B60R 19/24;
B60R 19/52
See application file for complete search history.

D824,307 S * 7/2018 Spencer D12/193
D866,032 S * 11/2019 Griffin D26/51
D896,362 S * 9/2020 Riley D23/366
D898,019 S * 10/2020 Fiore, IV D14/258
D906,916 S * 1/2021 Tsai D12/193

* cited by examiner

Primary Examiner — Natasha Vujcic

(57) **CLAIM**

The ornamental design for a license plate frame box, as shown and described.

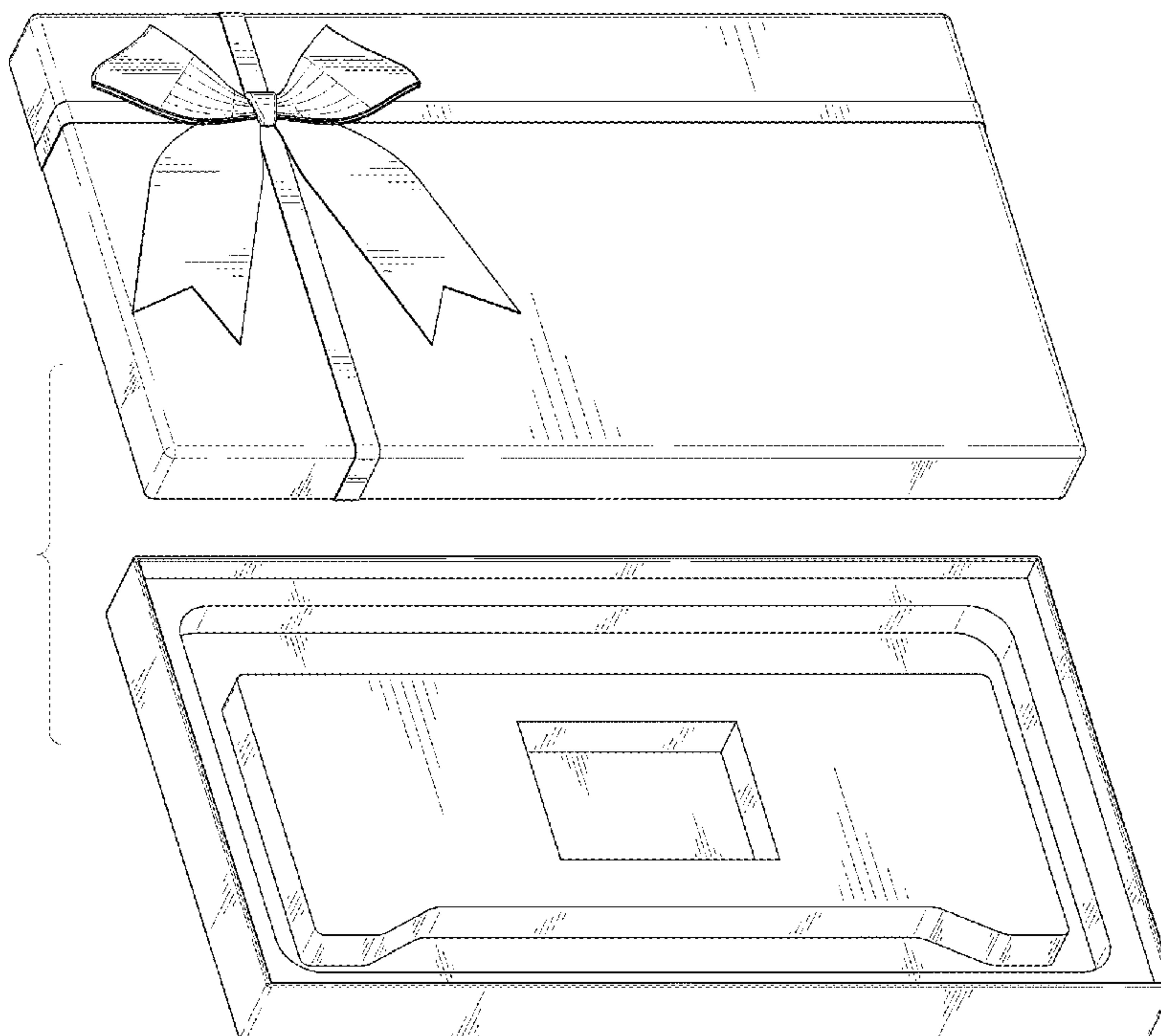
DESCRIPTION

FIG. 1 is a perspective view of a license plate frame box showing my new design;
FIG. 2 is another perspective view thereof;
FIG. 3 is a front elevational view thereof;
FIG. 4 is a rear elevational view thereof;
FIG. 5 is a left side elevational view thereof;
FIG. 6 is a right side elevational view thereof;
FIG. 7 is a top plan view thereof;
FIG. 8 is a bottom plan view thereof;
FIG. 9 is a perspective view of the license plate frame box where a box cover is coved on a main box body;
FIG. 10 is an enlarged view of portion 10 shown in FIG. 7; and,
FIG. 11 is an enlarged view of portion 11 shown in FIG. 8.
The broken lines in the drawings depict portions of the license plate frame box that form no part of the claimed design.

(56) **References Cited**
U.S. PATENT DOCUMENTS

D300,642 S * 4/1989 Pawlik D20/10
D311,167 S * 10/1990 Ching-Hwei D12/193
D327,915 S * 7/1992 Anderson D20/13
D399,805 S * 10/1998 Donalies D12/162
D412,876 S * 8/1999 Crecelius D12/193
D430,901 S * 9/2000 Palmer D20/43
D455,106 S 4/2002 Yang
D510,552 S * 10/2005 Phillips D12/193
D558,460 S * 1/2008 Yu D14/341
D607,059 S * 12/2009 Chida D20/43
D624,598 S * 9/2010 Chida D20/43
D630,986 S * 1/2011 Spencer D12/193
D641,294 S * 7/2011 Edick D12/162
D800,989 S 10/2017 Lucido

1 Claim, 11 Drawing Sheets



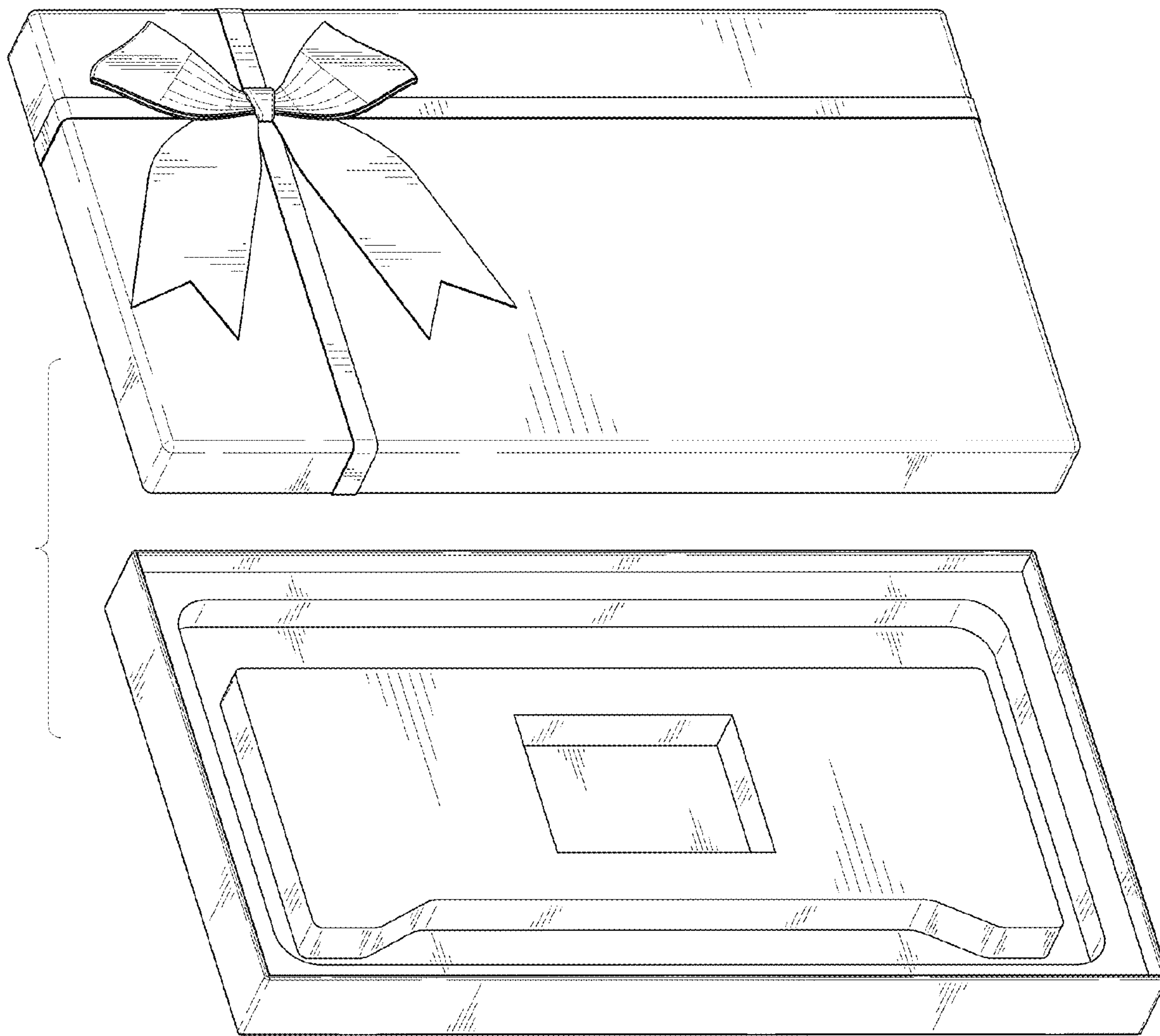


FIG. 1

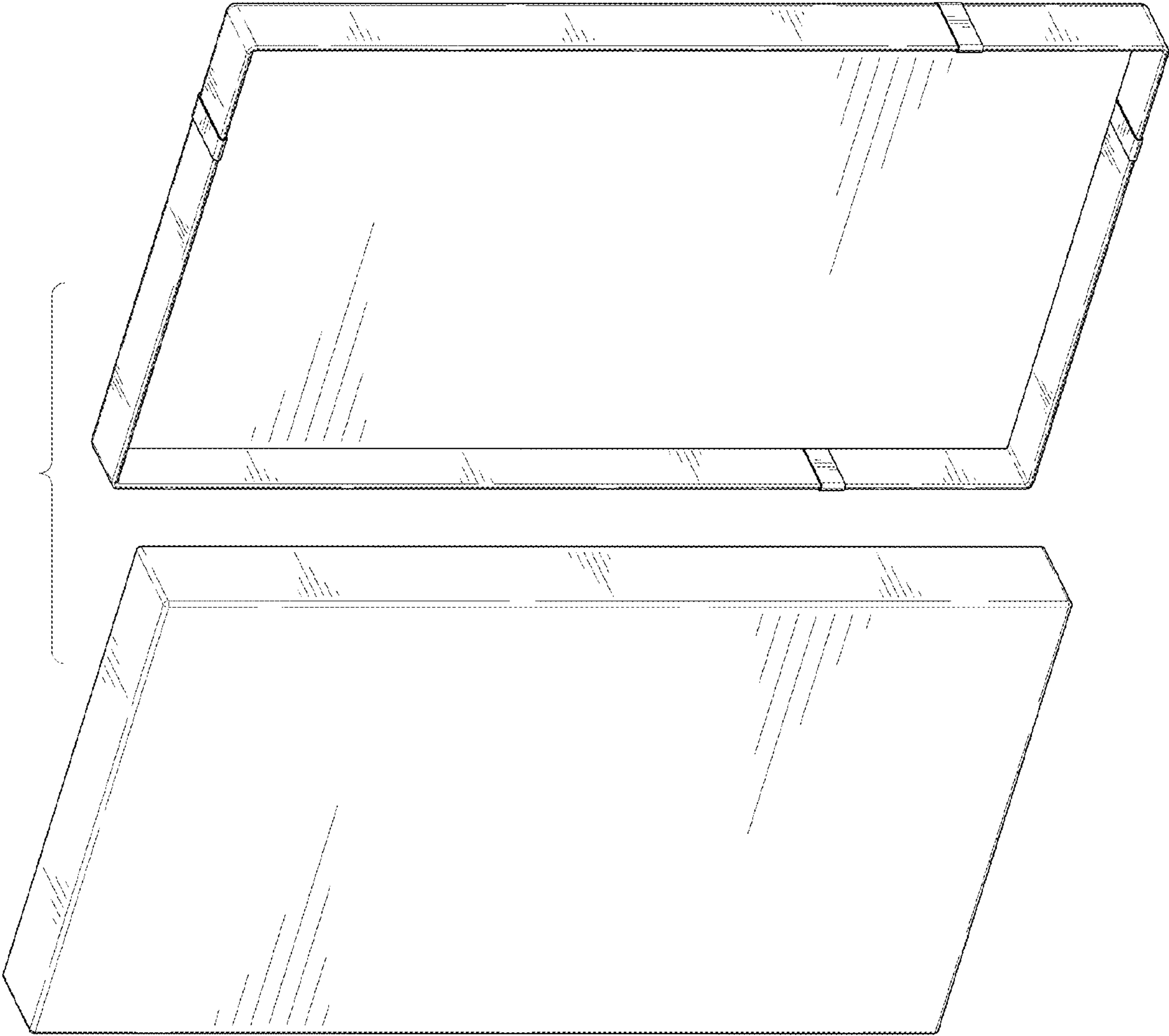


FIG. 2

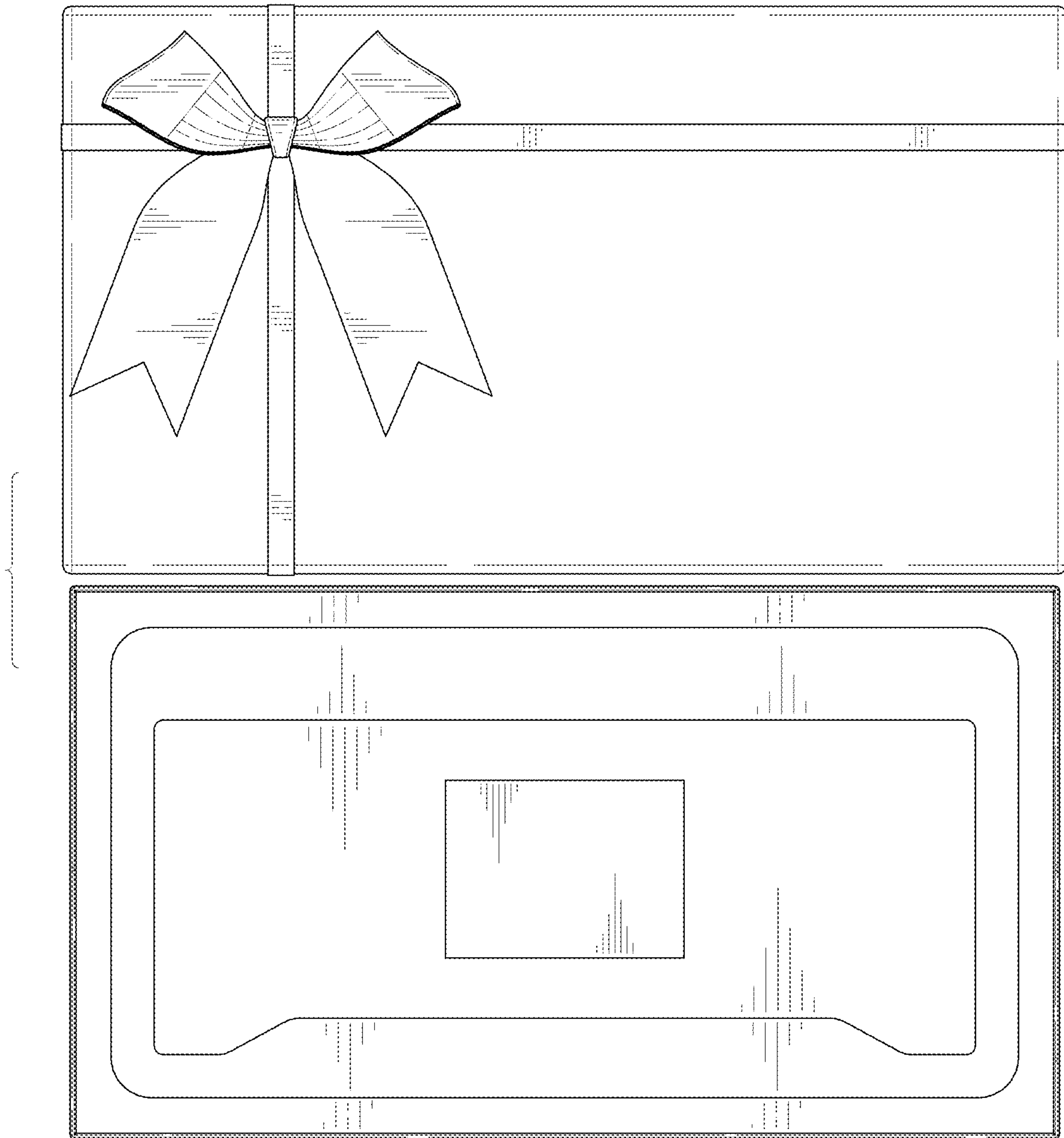


FIG. 3

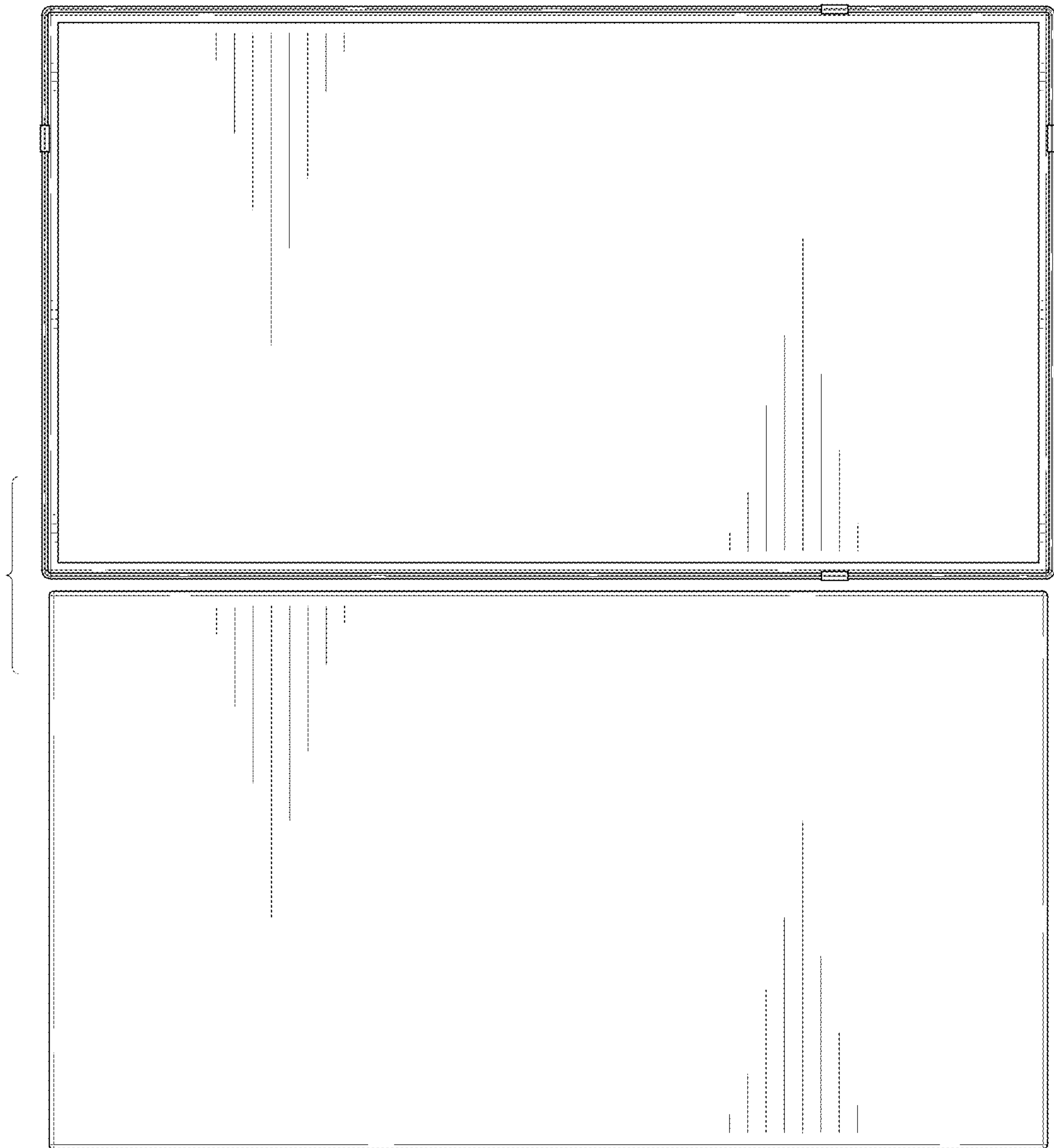


FIG. 4

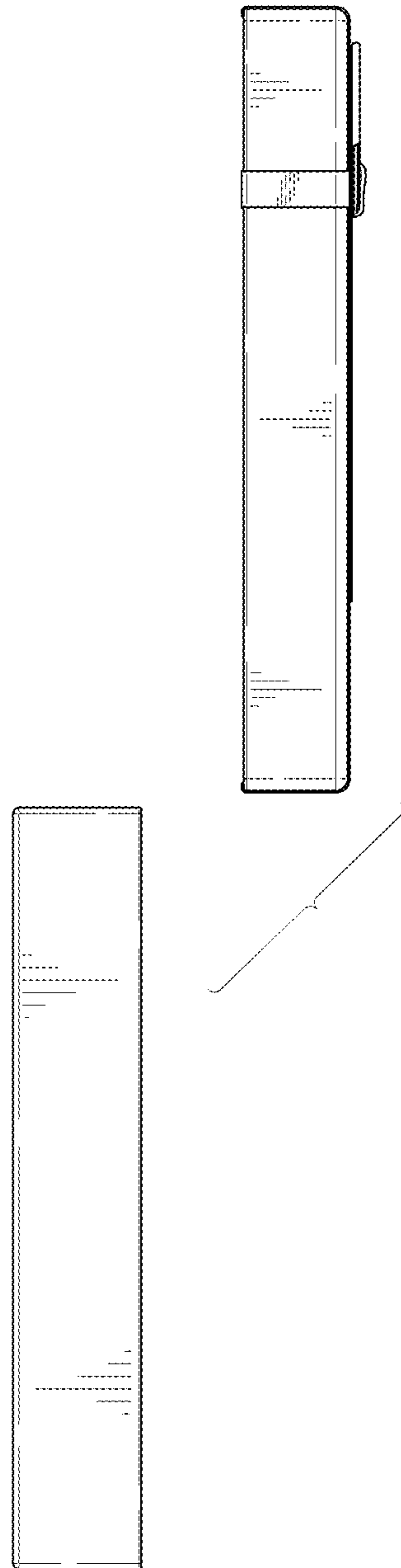


FIG. 5

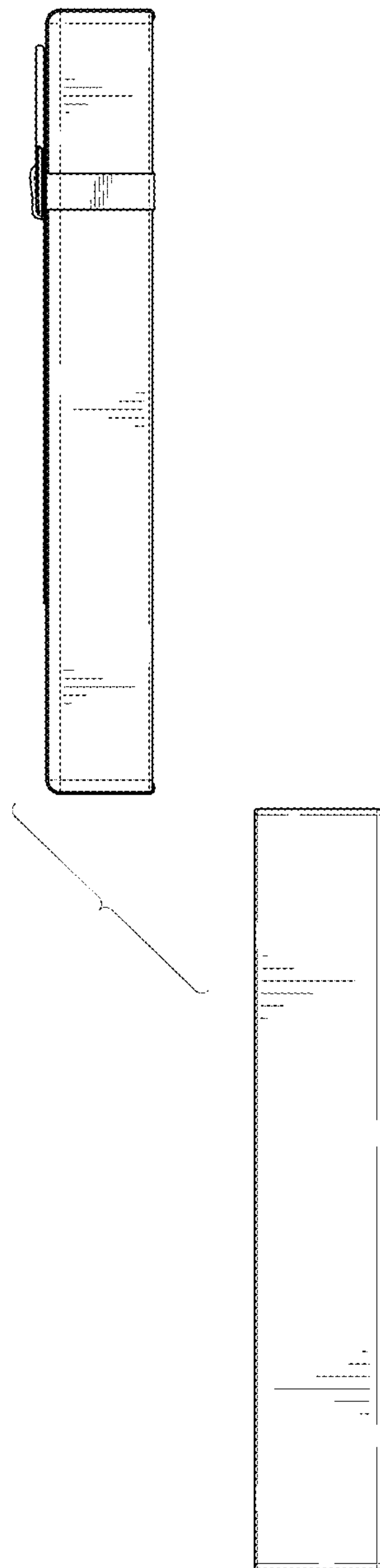


FIG. 6

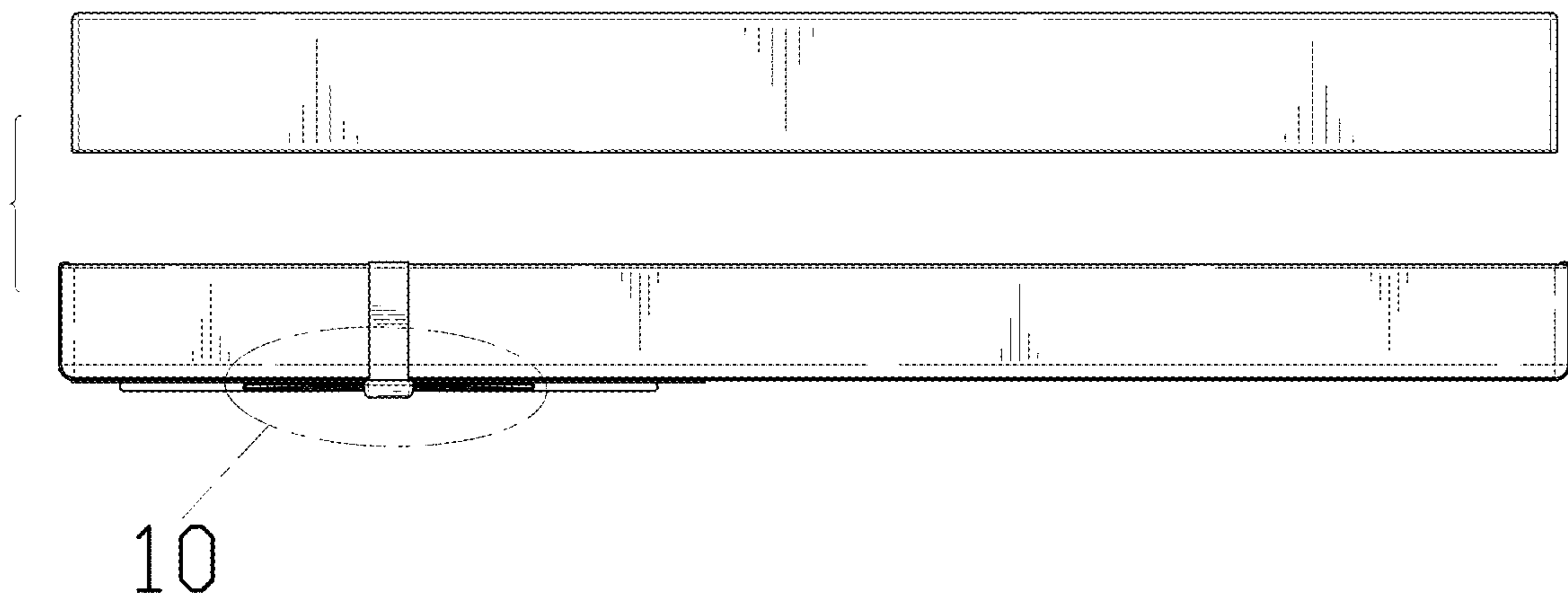


FIG. 7

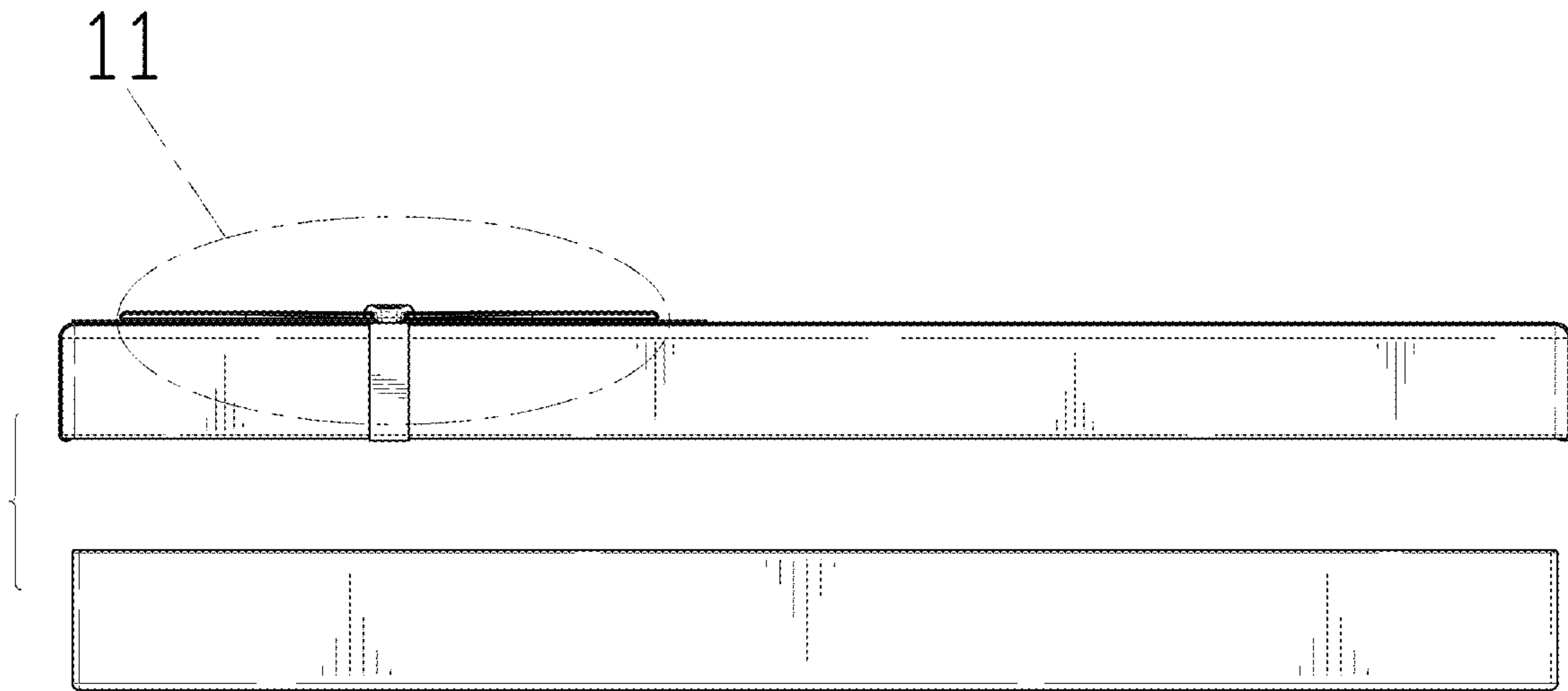


FIG. 8

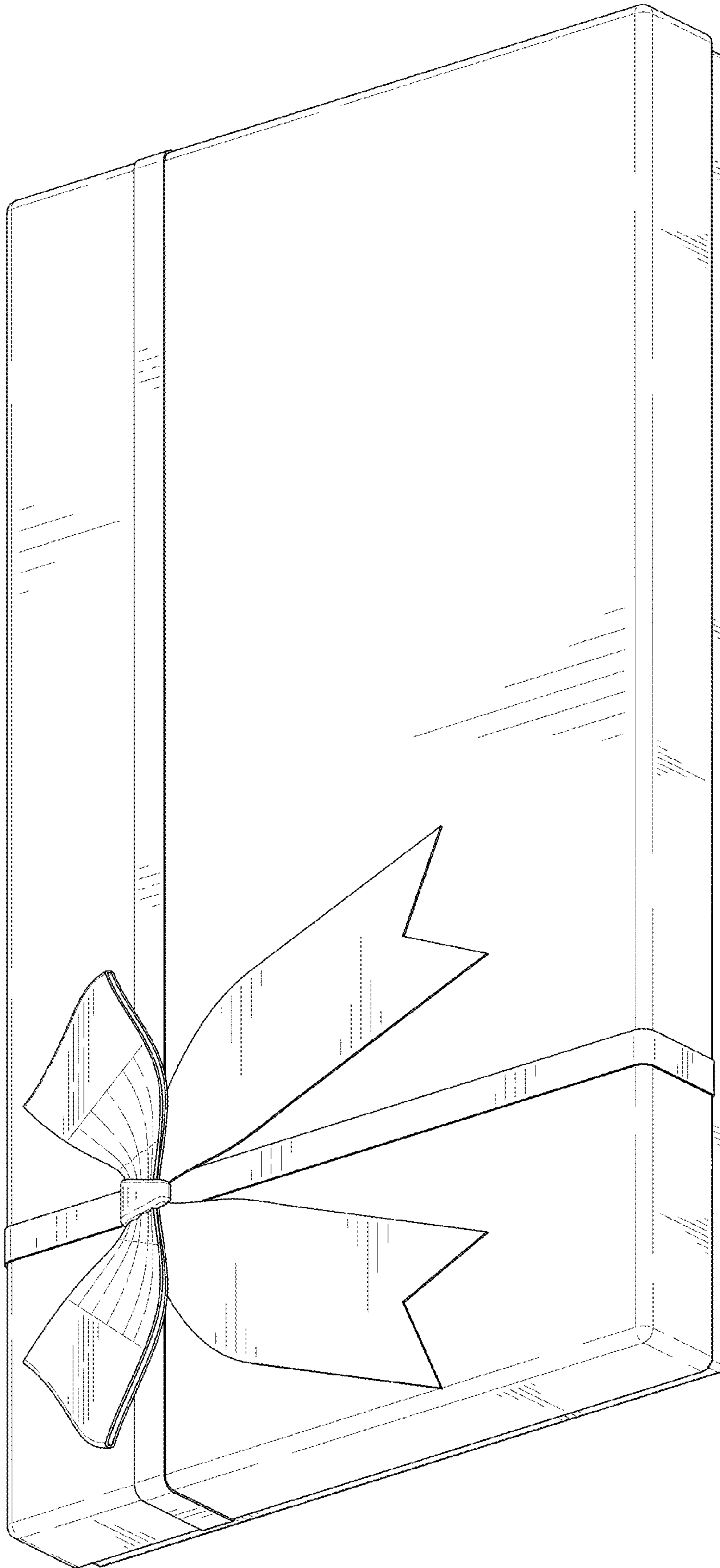


FIG. 9

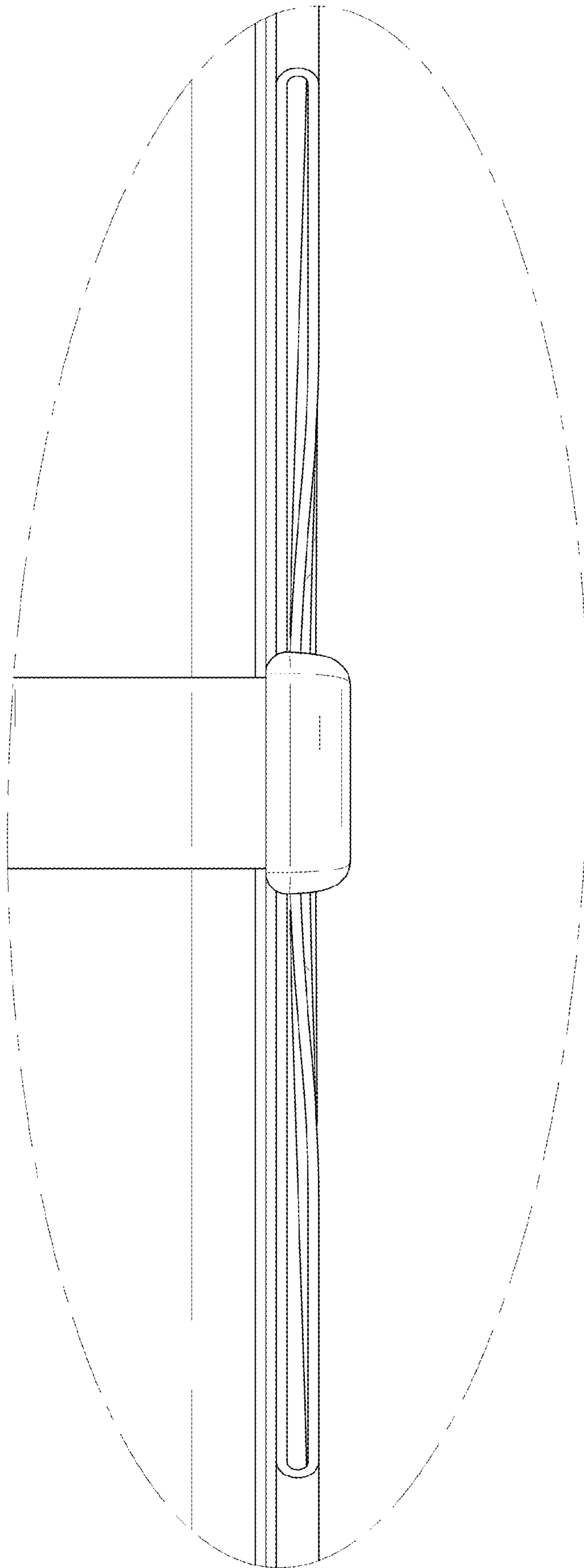


FIG. 10

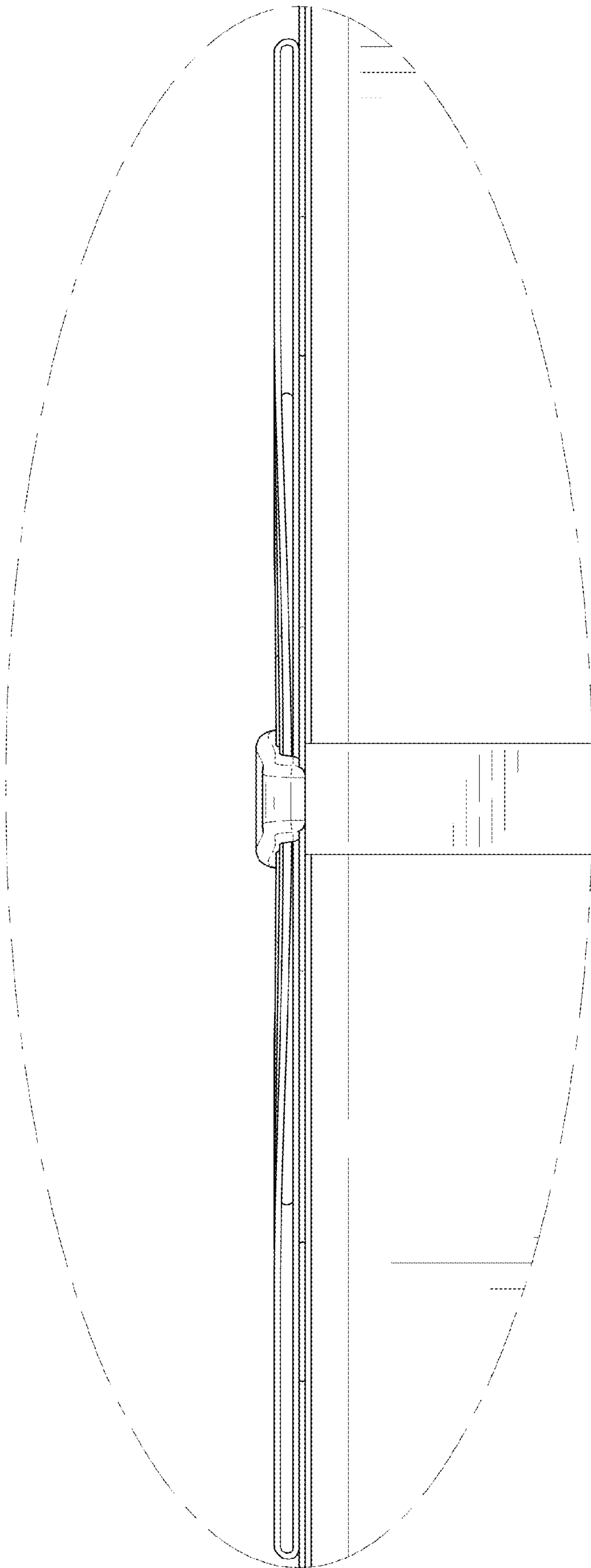


FIG. 11