



US00D950442S

(12) **United States Design Patent**  
**Jie et al.**

(10) **Patent No.:** **US D950,442 S**

(45) **Date of Patent:** **\*\* May 3, 2022**

(54) **VEHICLE HOOD**

(71) Applicant: **GM GLOBAL TECHNOLOGY OPERATIONS LLC**, Detroit, MI (US)

(72) Inventors: **Quan Jie**, Bucheon-si (KR);  
**Gyeongdal Lee**, Incheon (KR)

(73) Assignee: **GM Global Technology Operations LLC**, Detroit, MI (US)

(\*\*) Term: **15 Years**

(21) Appl. No.: **29/760,190**

(22) Filed: **Nov. 30, 2020**

(51) **LOC (13) Cl.** ..... **12-08**

(52) **U.S. Cl.**  
USPC ..... **D12/173**

(58) **Field of Classification Search**  
USPC ... D12/1, 14, 82, 86, 87, 89, 90, 91, 92, 93,  
D12/96, 97, 98, 99, 164, 167, 169, 170,  
D12/171, 172, 173, 181, 184, 185, 190,  
D12/192, 196; D21/533, 548, 552, 561  
CPC ..... B62D 25/02; B62D 25/10; B62D 25/12;  
B62D 25/105; B62D 25/08; B62D  
23/005; B60R 19/00

See application file for complete search history.

(56) **References Cited**

**U.S. PATENT DOCUMENTS**

D592,113 S	5/2009	Ward	
D626,476 S	11/2010	Loeb	
D666,540 S	9/2012	Karras et al.	
D669,403 S	10/2012	Gifford	
D679,227 S	4/2013	Schmeckpeper	
D683,675 S	6/2013	Munson et al.	
D686,120 S	7/2013	Thurber	
D686,121 S	7/2013	McCabe et al.	
D699,643 S	2/2014	Chae	
D702,164 S *	4/2014	Campbell	..... D12/173
D706,185 S	6/2014	Mackay	

D707,595 S	6/2014	Kavaja	
D710,269 S	8/2014	O'Donnell et al.	
D718,683 S	12/2014	Thole et al.	
D718,684 S	12/2014	Thole et al.	
D735,627 S	8/2015	Smith et al.	
D737,743 S	9/2015	Duff et al.	
D739,317 S	9/2015	McMahan et al.	
D740,187 S	10/2015	Jamieson	
D743,309 S	11/2015	Thole et al.	
D743,857 S	11/2015	McMahan et al.	
D762,149 S	7/2016	Kim et al.	
D777,620 S *	1/2017	Pevovar	..... D12/173
D777,621 S *	1/2017	Kim	..... D12/173
D777,622 S	1/2017	Kozub et al.	

(Continued)

**OTHER PUBLICATIONS**

2022 Trax, Published date unavailable [online], [retrieved on Jan. 11, 2022]. Retrieved from the Internet: <https://www.chevrolet.com/suvs/trax> (Year: 2022).\*

*Primary Examiner* — Cary M Robinson  
*Assistant Examiner* — Adam C Mager

(57) **CLAIM**

The ornamental design for a vehicle hood, as shown and described.

**DESCRIPTION**

FIG. 1 is a front and left perspective view of a vehicle hood showing our new design;

FIG. 2 is a front elevation view of the vehicle hood of FIG. 1;

FIG. 3 is a left elevation view thereof;

FIG. 4 is a right elevation view thereof;

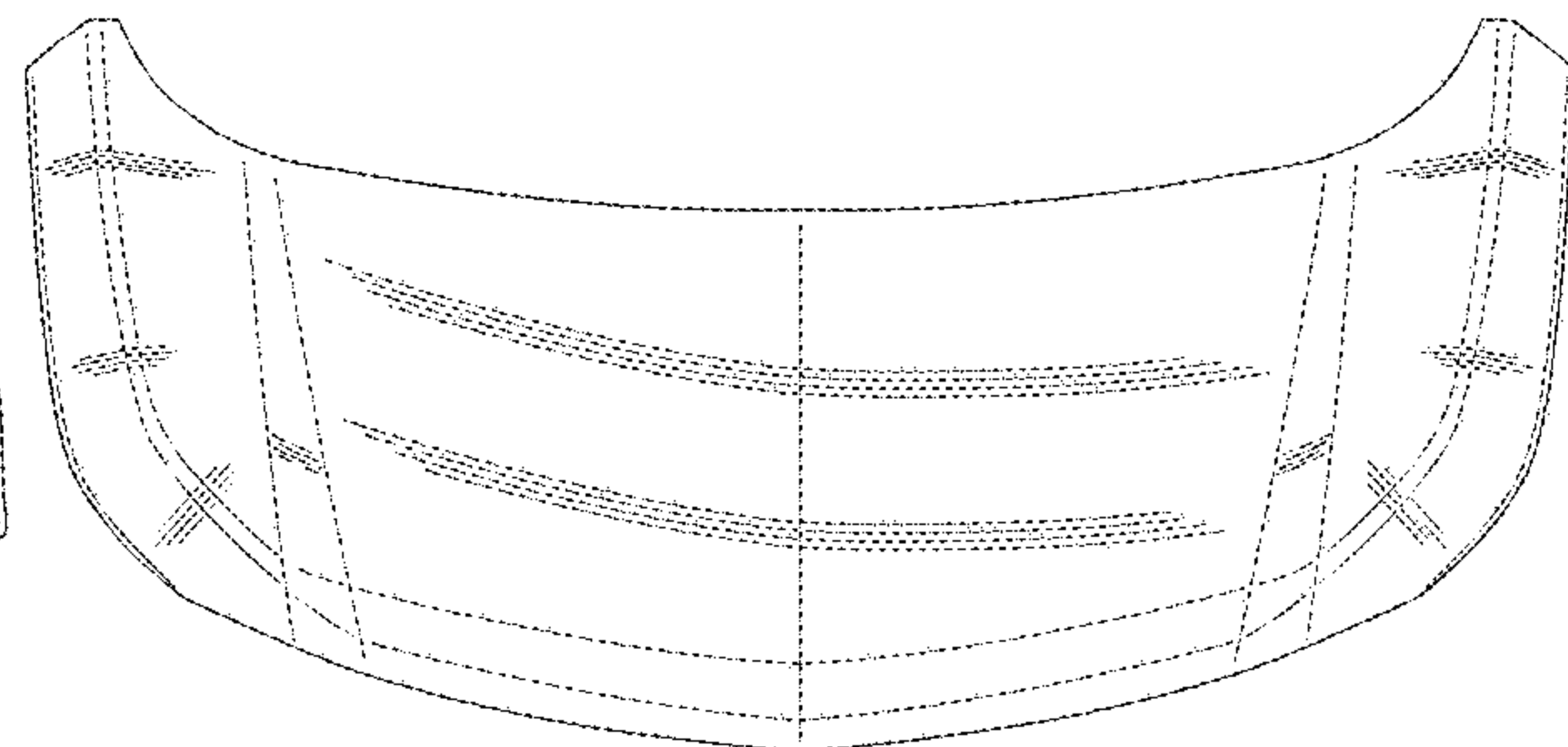
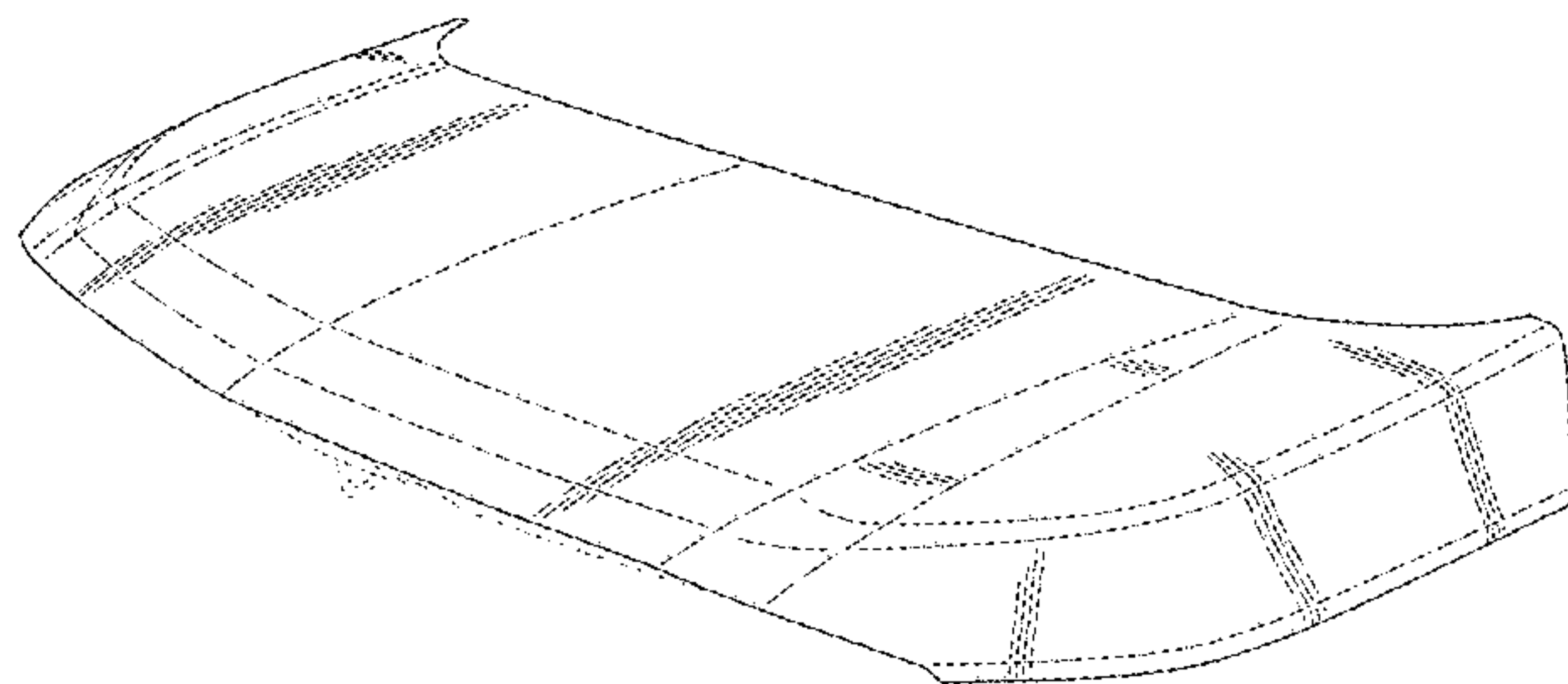
FIG. 5 is a back elevation view thereof;

FIG. 6 is a top view thereof; and,

FIG. 7 is a bottom view thereof.

The broken lines in the drawings depict portions of the vehicle hood that form no part of the claimed design.

**1 Claim, 7 Drawing Sheets**



(56)

**References Cited**

U.S. PATENT DOCUMENTS

D778,215 S 2/2017 Kozub et al.  
 D778,792 S \* 2/2017 Kim ..... D12/173  
 D786,750 S 5/2017 Lee  
 D787,992 S 5/2017 Lee  
 D787,993 S 5/2017 McCabe et al.  
 D789,260 S 6/2017 Smith et al.  
 D804,372 S 12/2017 Kozub  
 D812,531 S \* 3/2018 Im ..... D12/173  
 D812,532 S \* 3/2018 Jeong ..... D12/173  
 D813,120 S 3/2018 Kim  
 D813,121 S 3/2018 Swanseger  
 D813,757 S 3/2018 Kozub  
 D813,758 S 3/2018 Gonzales  
 D813,759 S 3/2018 Perkins  
 D815,573 S 4/2018 Whitla et al.  
 D815,574 S 4/2018 Mainville  
 D818,903 S 5/2018 Zipfel et al.  
 D818,904 S 5/2018 Jeong  
 D818,906 S 5/2018 McMahan  
 D818,907 S 5/2018 Whitla et al.  
 D824,824 S \* 8/2018 Kim ..... D12/173  
 D824,825 S 8/2018 Loeb  
 D828,247 S 9/2018 Kozub  
 D828,248 S 9/2018 Zipfel

D829,621 S 10/2018 Mack et al.  
 D830,252 S 10/2018 Swanseger  
 D830,258 S 10/2018 Moffett et al.  
 D836,045 S 12/2018 McMahan et al.  
 D838,640 S \* 1/2019 Metros ..... D12/173  
 D841,540 S \* 2/2019 Koo ..... D12/173  
 D841,541 S \* 2/2019 Krieg ..... D12/173  
 D842,178 S 3/2019 Pinazzo et al.  
 D843,280 S 3/2019 Thurber et al.  
 D848,915 S 5/2019 Izard  
 D855,515 S 8/2019 Riggs et al.  
 D856,876 S 8/2019 Kapitonov  
 D863,154 S 10/2019 O'Donnell et al.  
 D863,156 S 10/2019 Blanski et al.  
 D863,157 S 10/2019 Wilkins et al.  
 D867,947 S 11/2019 Park Cheng et al.  
 D868,652 S 12/2019 Gifford  
 D873,735 S 1/2020 Park Cheng et al.  
 D880,382 S 4/2020 Izard  
 D885,270 S 5/2020 Zipfel  
 D887,329 S 6/2020 Zipfel  
 D888,635 S 6/2020 Zipfel  
 D902,807 S 11/2020 Ruiz  
 D902,809 S 11/2020 Hunwick  
 D903,555 S \* 12/2020 Choi ..... D12/173  
 D908,563 S \* 1/2021 Zhao ..... D12/173

\* cited by examiner

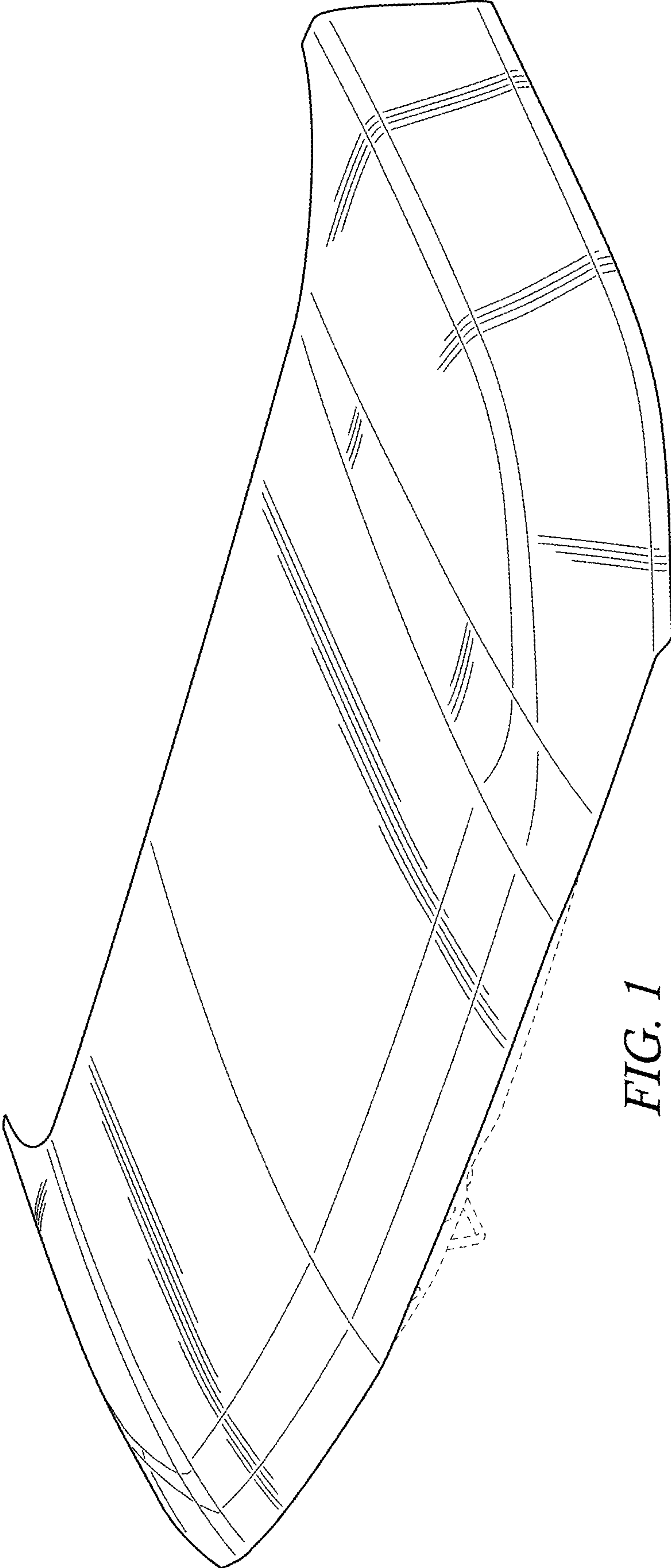


FIG. 1

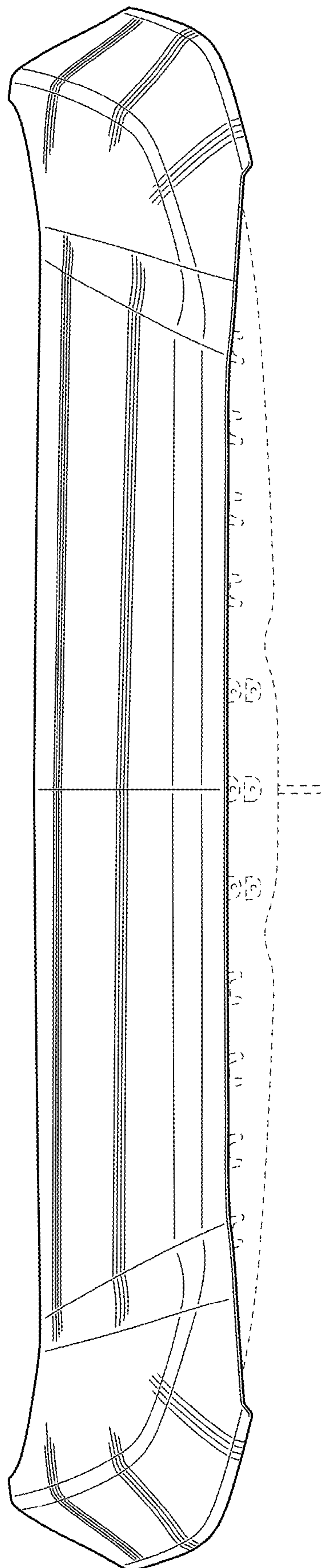
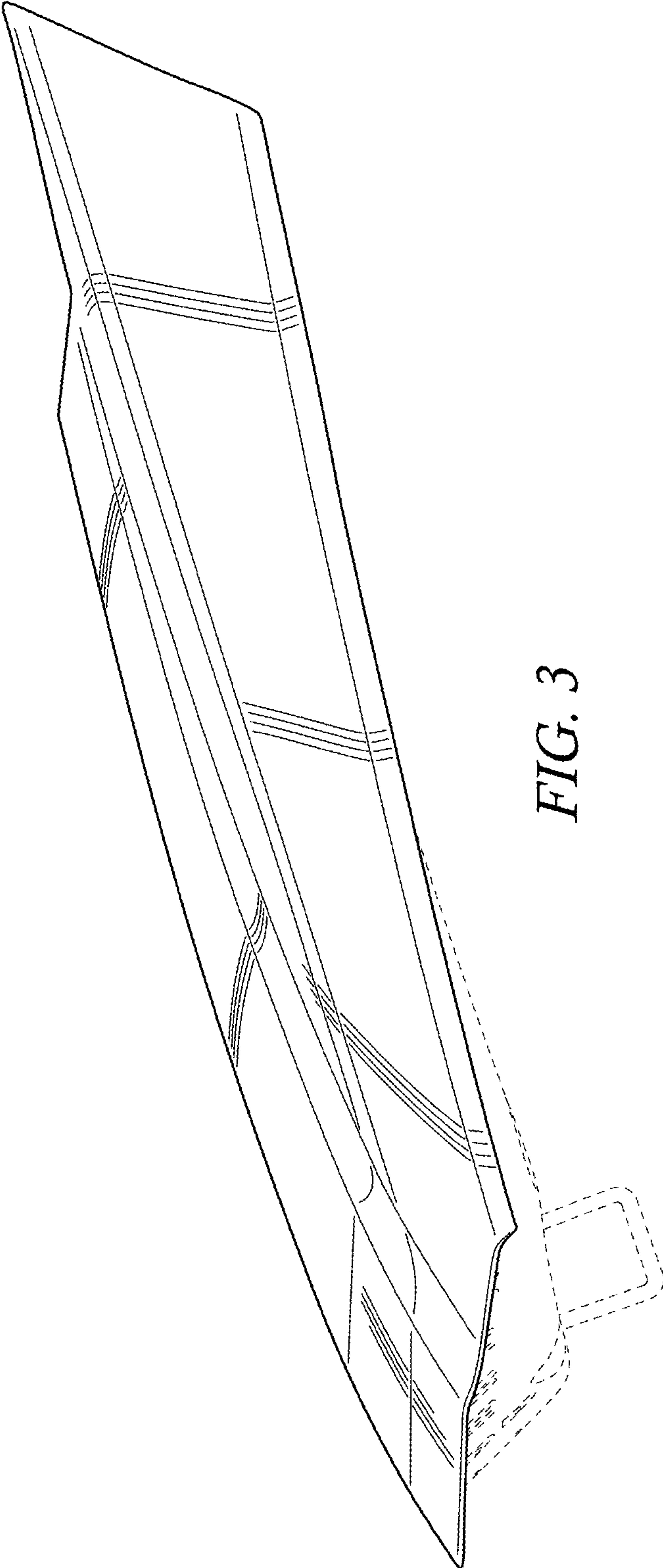


FIG. 2





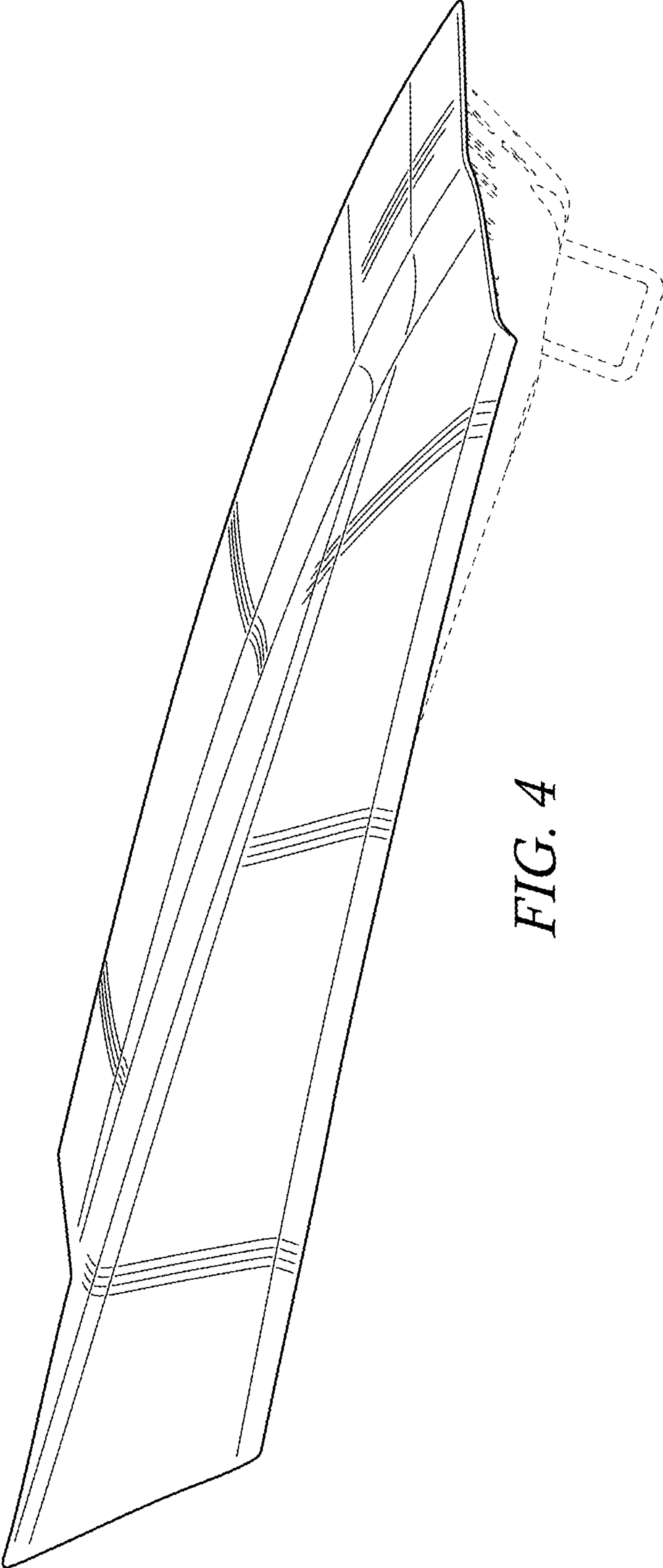


FIG. 4

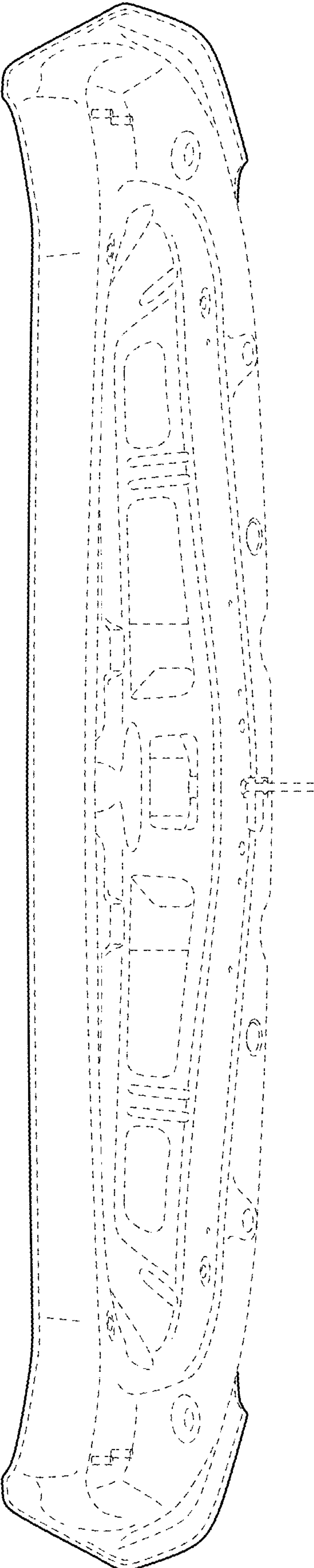


FIG. 5

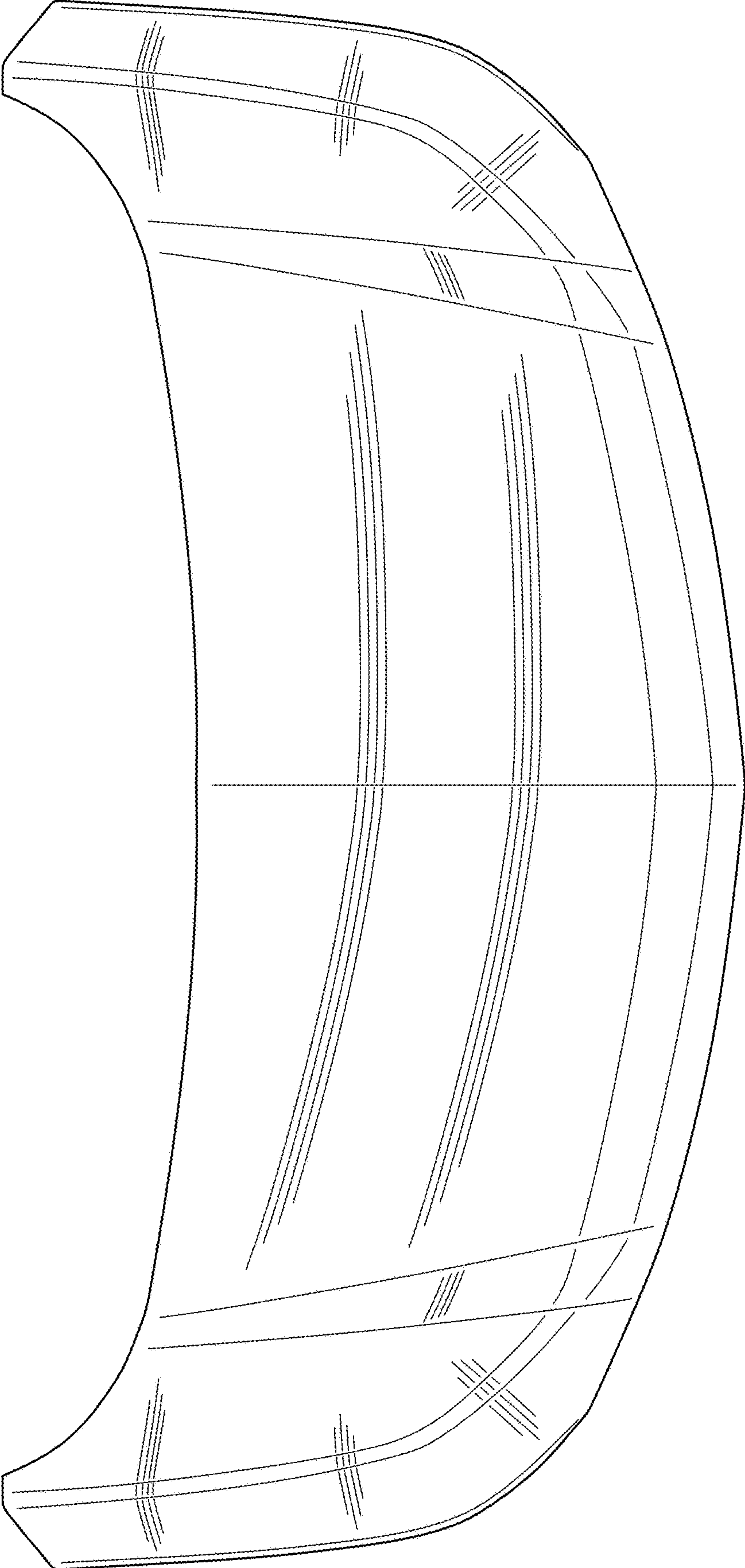


FIG. 6



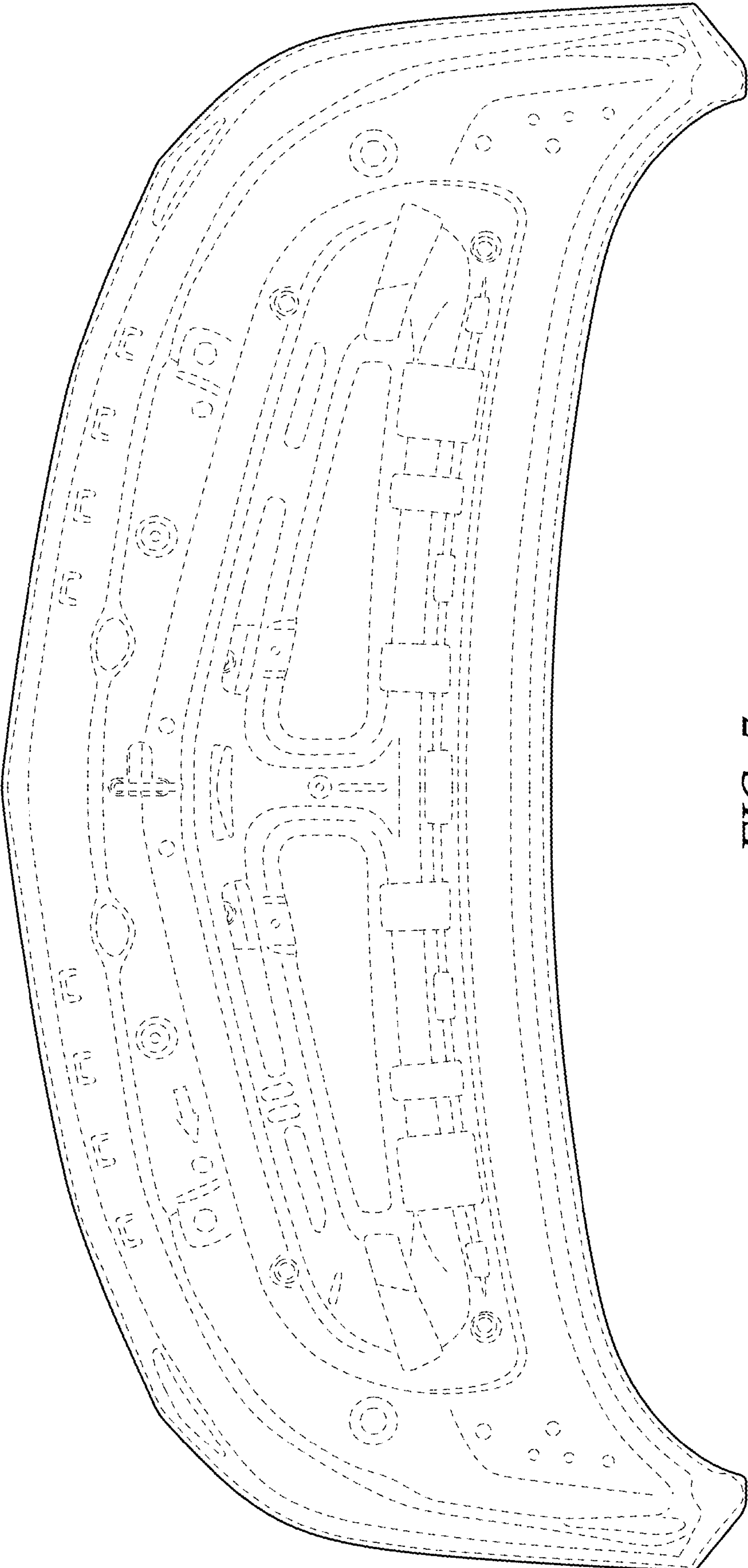


FIG. 7