



US00D950439S

(12) **United States Design Patent** (10) **Patent No.:** **US D950,439 S**
Setina et al. (45) **Date of Patent:** **** May 3, 2022**

(54) **FENDER WRAP**

FOREIGN PATENT DOCUMENTS

(71) Applicant: **J.R. Setina Manufacturing Co.,**
Olympia, WA (US)

EP 0641687 5/1995
GB 2236081 3/1993
GB 2302578 2/1999

(72) Inventors: **Terry L. Setina,** Olympia, WA (US);
Adam Sampson, Tenino, WA (US)

OTHER PUBLICATIONS

(73) Assignee: **J.R. Setina Manufacturing Co.,**
Olympia, WA (US)

“PB9 Fender Guard” Setina., posted date Aug. 4, 2021 [online],
[retrieved on Nov. 16, 2021]. Retrieved from the Internet <URL:https://
setina.com/fender-guards/pb9/> (Year: 2021).*

(**) Term: **15 Years**

(Continued)

(21) Appl. No.: **29/740,380**

Primary Examiner — Darlington Ly

(22) Filed: **Jul. 2, 2020**

Assistant Examiner — Nasim Abdulaziz Ali

(51) **LOC (13) Cl.** **12-16**

(74) *Attorney, Agent, or Firm* — Klarquist Sparkman,
LLP

(52) **U.S. Cl.**
USPC **D12/171**

(57) **CLAIM**

(58) **Field of Classification Search**
USPC D12/90–92, 98, 163, 167, 169, 171, 172
CPC B60R 19/52; B60R 2019/522
See application file for complete search history.

We claim the ornamental design for a fender wrap, as shown
and described.

DESCRIPTION

(56) **References Cited**

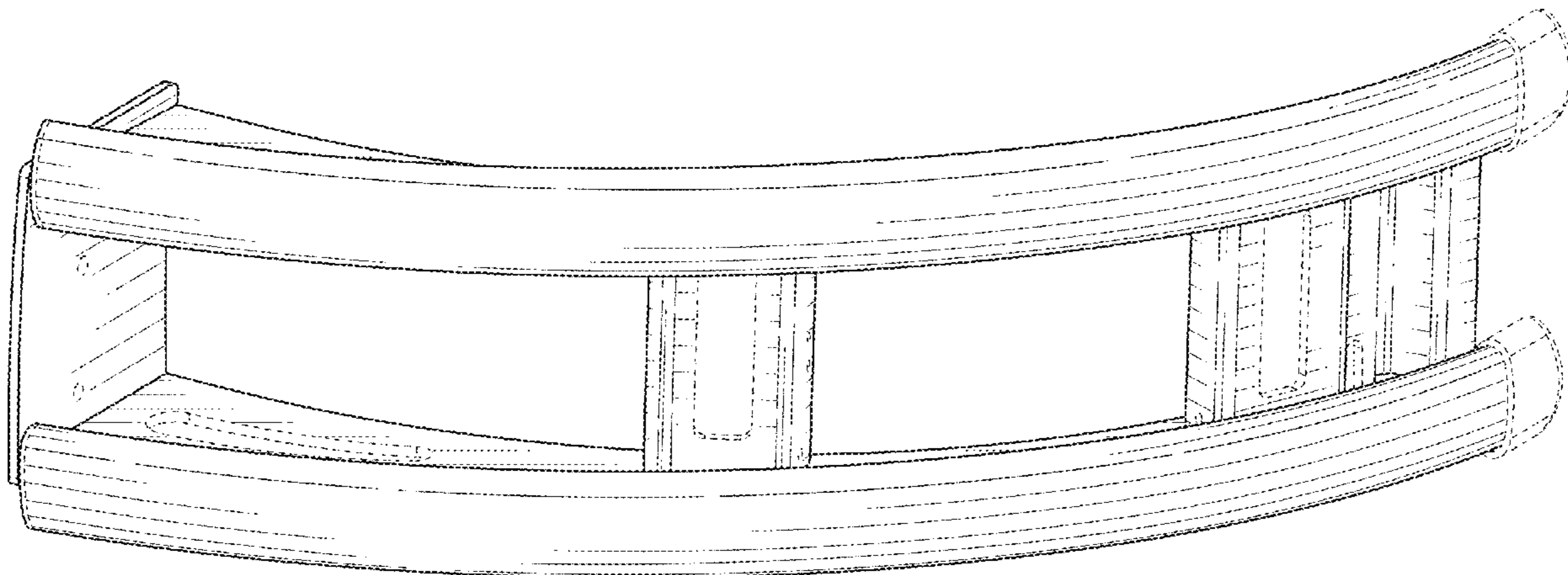
U.S. PATENT DOCUMENTS

1,614,725 A 1/1927 Gerker
1,811,494 A 1/1931 Conway
D388,042 S * 12/1997 Thorne D12/171
D396,678 S * 8/1998 Shklyaver D12/171
D422,952 S * 4/2000 Waagenaar D12/171
6,113,164 A 9/2000 Setina
D551,138 S * 9/2007 Storer D12/171
D572,180 S * 7/2008 Storer D12/171
D577,319 S * 9/2008 Storer D12/171
D591,656 S * 5/2009 Golden D12/184
D684,908 S * 6/2013 Lee D12/184
D694,683 S * 12/2013 Lee D12/184
D694,684 S * 12/2013 Lee D12/184
D694,685 S * 12/2013 Lee D12/184
D700,120 S * 2/2014 Lee D12/184
D700,552 S * 3/2014 Lee D12/184

FIG. 1 is a front and top perspective view of a fender wrap
embodying our new design;
FIG. 2 is a bottom perspective view thereof;
FIG. 3 is a front elevation view thereof;
FIG. 4 is a rear elevation view thereof;
FIG. 5 is a top plan view thereof;
FIG. 6 is a bottom plan view thereof;
FIG. 7 is a right side elevation view thereof;
FIG. 8 is a left side elevation view thereof;
FIG. 9 is a rear perspective view thereof; and,
FIG. 10 is a left side elevation view showing the fender wrap
installed on a push bumper of a vehicle.
The broken line showings of openings and end caps form no
part of the claimed design.
The broken line showing of a vehicle with a push bumper is
for the purpose of illustrating environmental structure and
forms no part of the claimed design.

(Continued)

1 Claim, 8 Drawing Sheets



(56)

References Cited

U.S. PATENT DOCUMENTS

D700,874 S *	3/2014	Lee	D12/184
D707,164 S *	6/2014	Lee	D12/184
D755,094 S *	5/2016	Lanini	D12/171
D777,618 S *	1/2017	Setina	D12/171
D810,639 S *	2/2018	Li	B60R 19/00 D12/171
D929,918 S *	9/2021	Roh	D12/184
D935,960 S *	11/2021	Setina	D12/171
D935,961 S *	11/2021	Setina	D12/171
D935,966 S *	11/2021	Bibb, VI	D12/184
2001/0015559 A1 *	8/2001	Storer	B60R 19/52 293/115
2009/0218833 A1 *	9/2009	Rosemeyer	B60R 19/52 293/115
2013/0187395 A1 *	7/2013	Hanson	B60R 19/52 293/115
2018/0201210 A1 *	7/2018	Ghannam	B60R 19/52
2019/0039543 A1 *	2/2019	Yang	B60Q 1/2661

OTHER PUBLICATIONS

“Setina Push Bumper Pit Bar With Fender And Headlight Wrap” Setina., posted date May 19, 2021 [online], [retrieved on Nov. 16, 2021]. Retrieved from the Internet <URL:https://danasafetysupply.com/setina-push-bumper-pit-bar-with-fender-and-headlight-wrap-pb9-pb400-for-cars-suvs-trucks-and-vans/> (Year: 2021).*

“Setina Push Bumper Pit Bar With Fender And Headlight Wrap” Setina., posted date Jun. 9, 2021 [online], [retrieved on Nov. 16, 2021]. Retrieved from the Internet <URL:https://www.fleetsafety.com/setina-push-bumper-pit-bar-with-fender-and-headlight-wrap-pb9-pb400-for-cars-suvs-trucks-and-vans/> (Year: 2021).*

Ibis Tek, LLC, “Lightweight Front Protective Bumper,” http://www.ibistek.com/product/detail/lightweight_front_protective_bumper (downloaded Sep. 9, 2016).

Setina Manufacturing Company, Inc., “Featured 2018 Fleet Equipment,” 36 pgs. (2017).

Westin, Public Safety Catalog, “Pit Bar—Elite—,” p. 24 (2018).

Westin, Public Safety Catalog, “Push Bumper Elite,” p. 27 (2018).

* cited by examiner

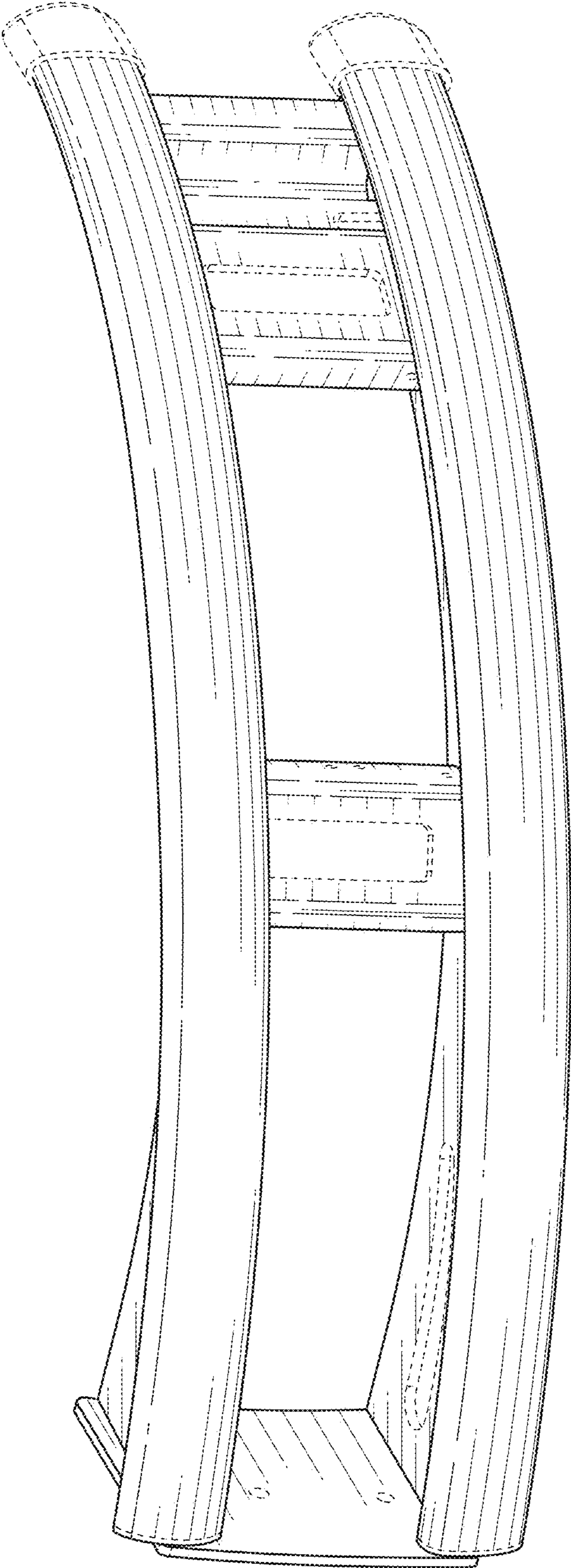


FIG. 1

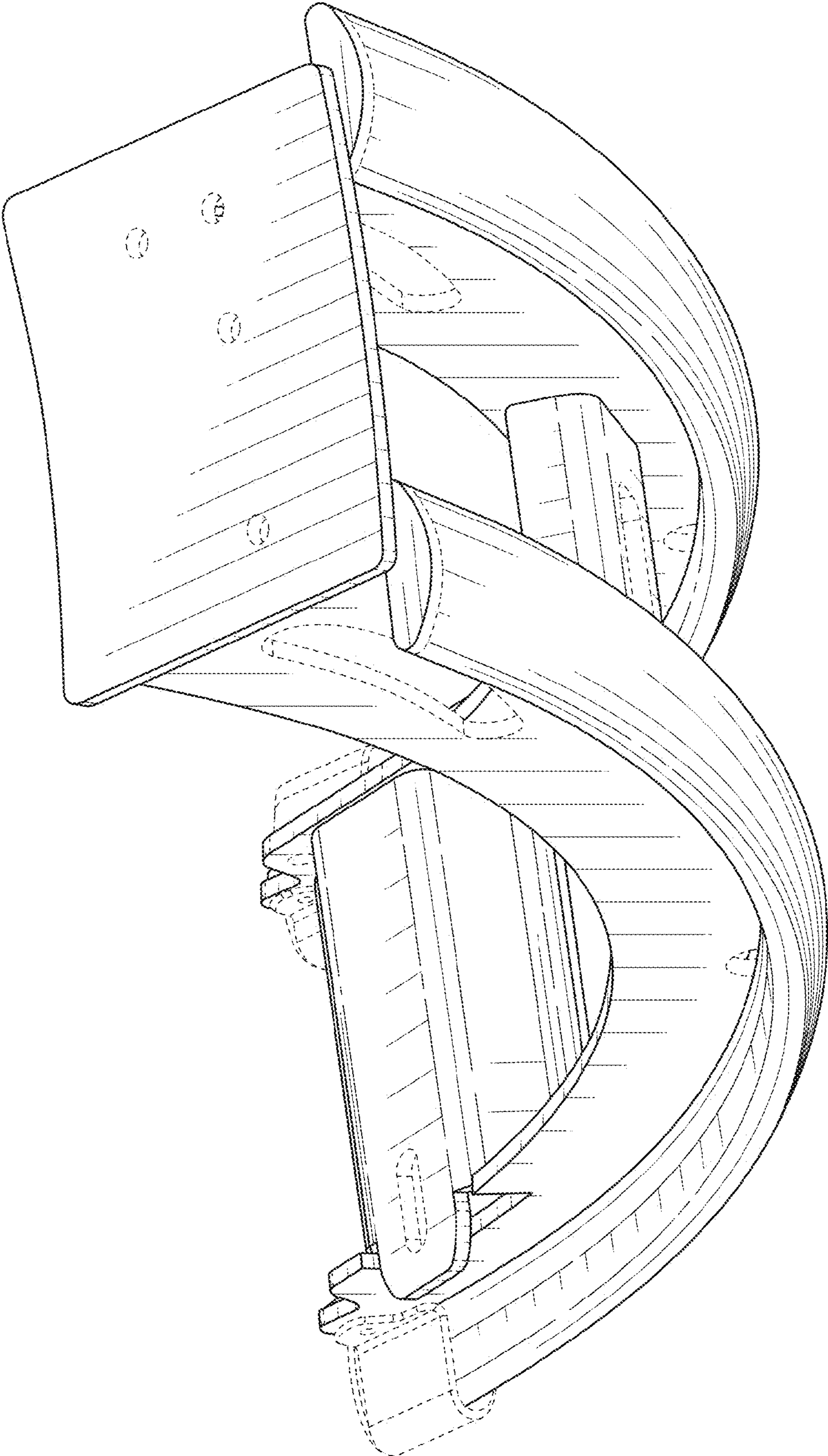


FIG. 2

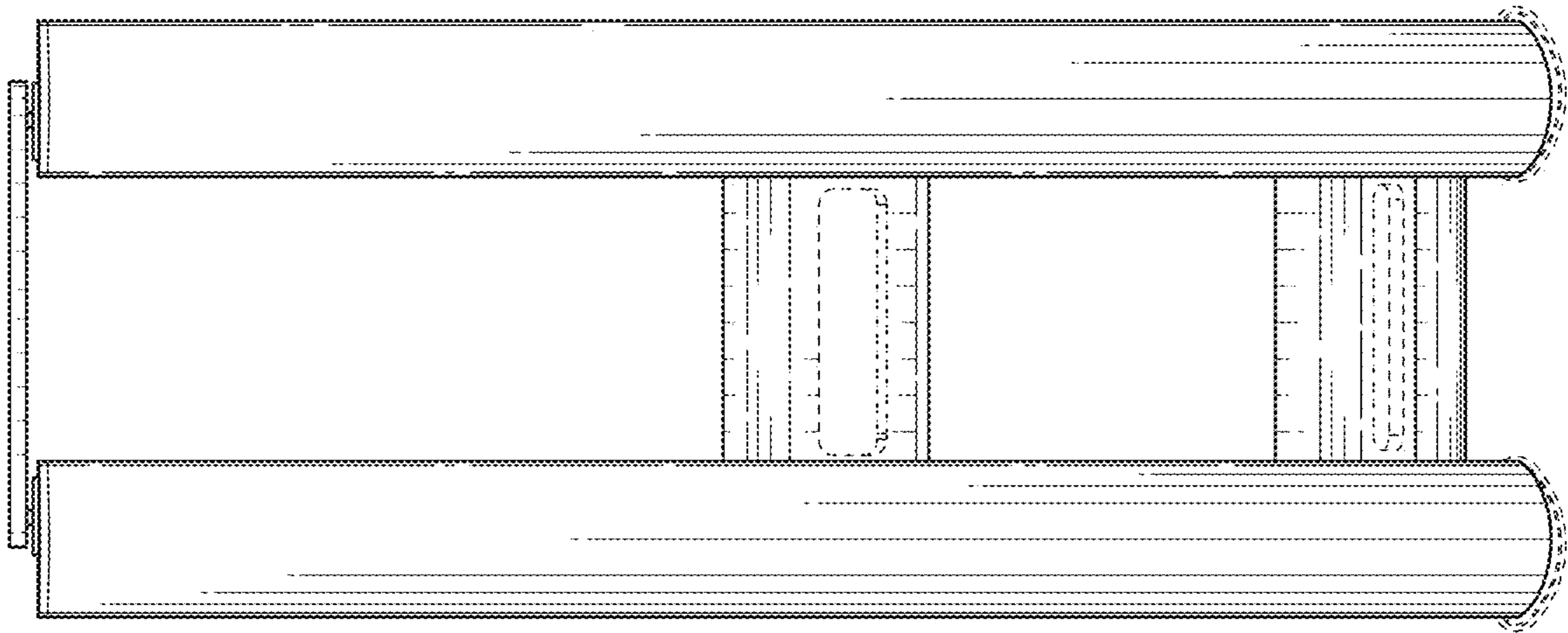


FIG. 3

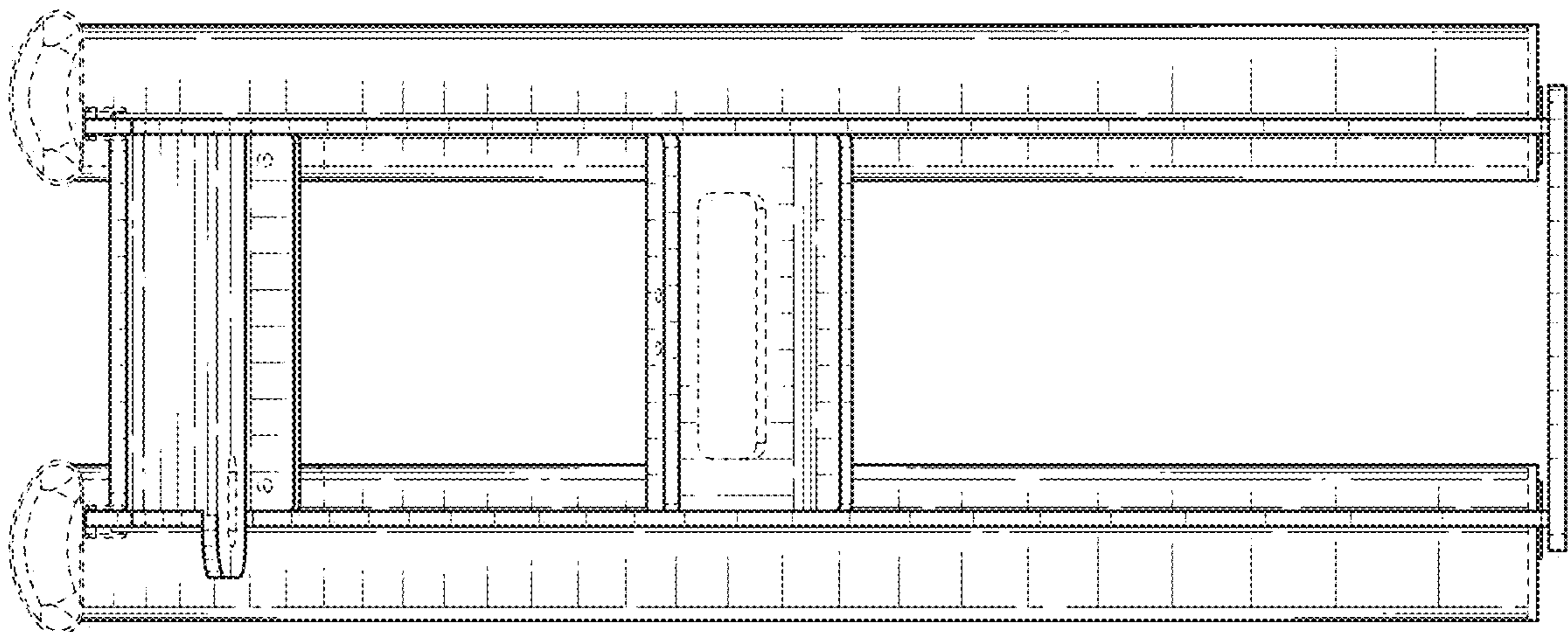


FIG. 4

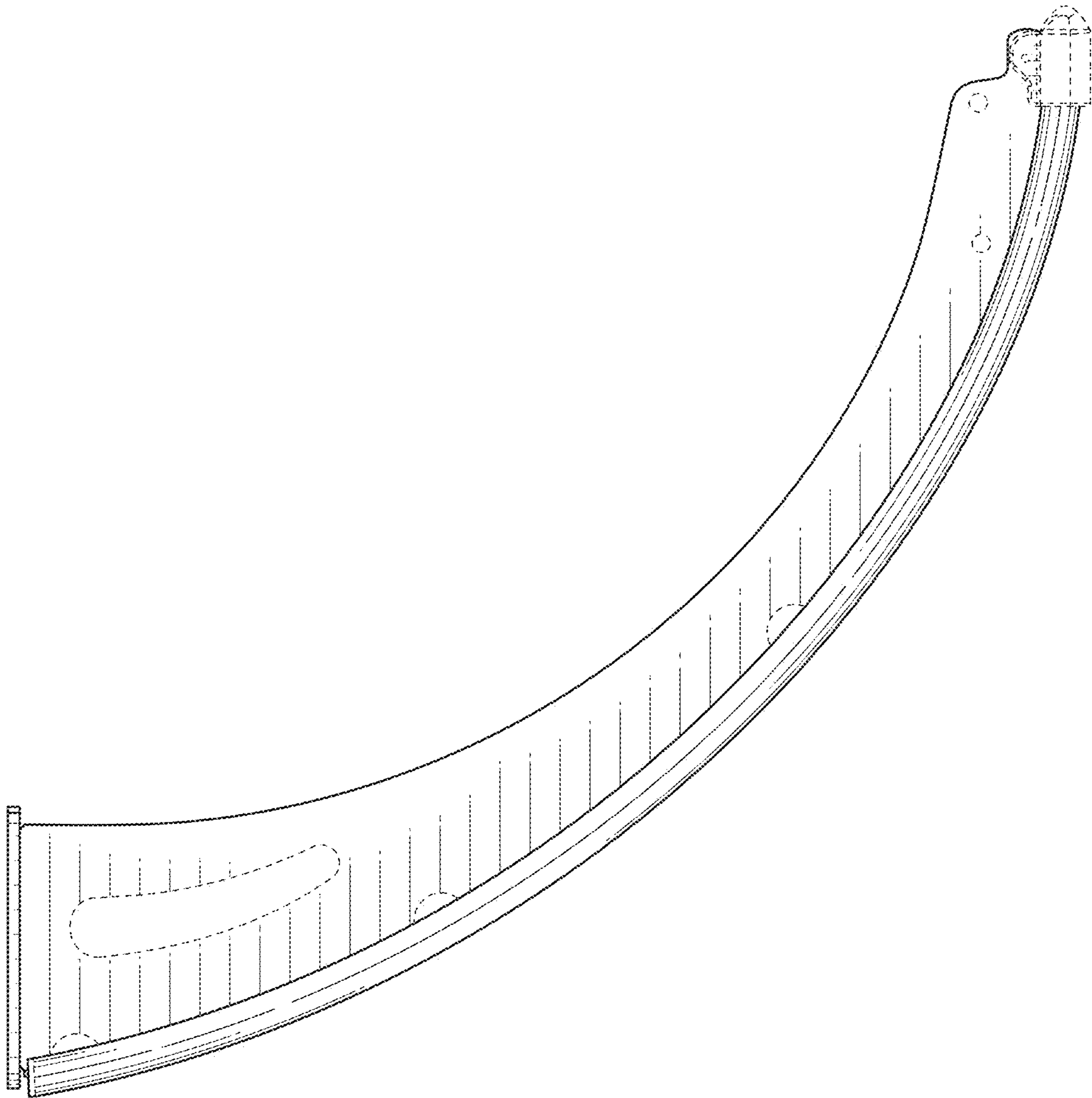


FIG. 5

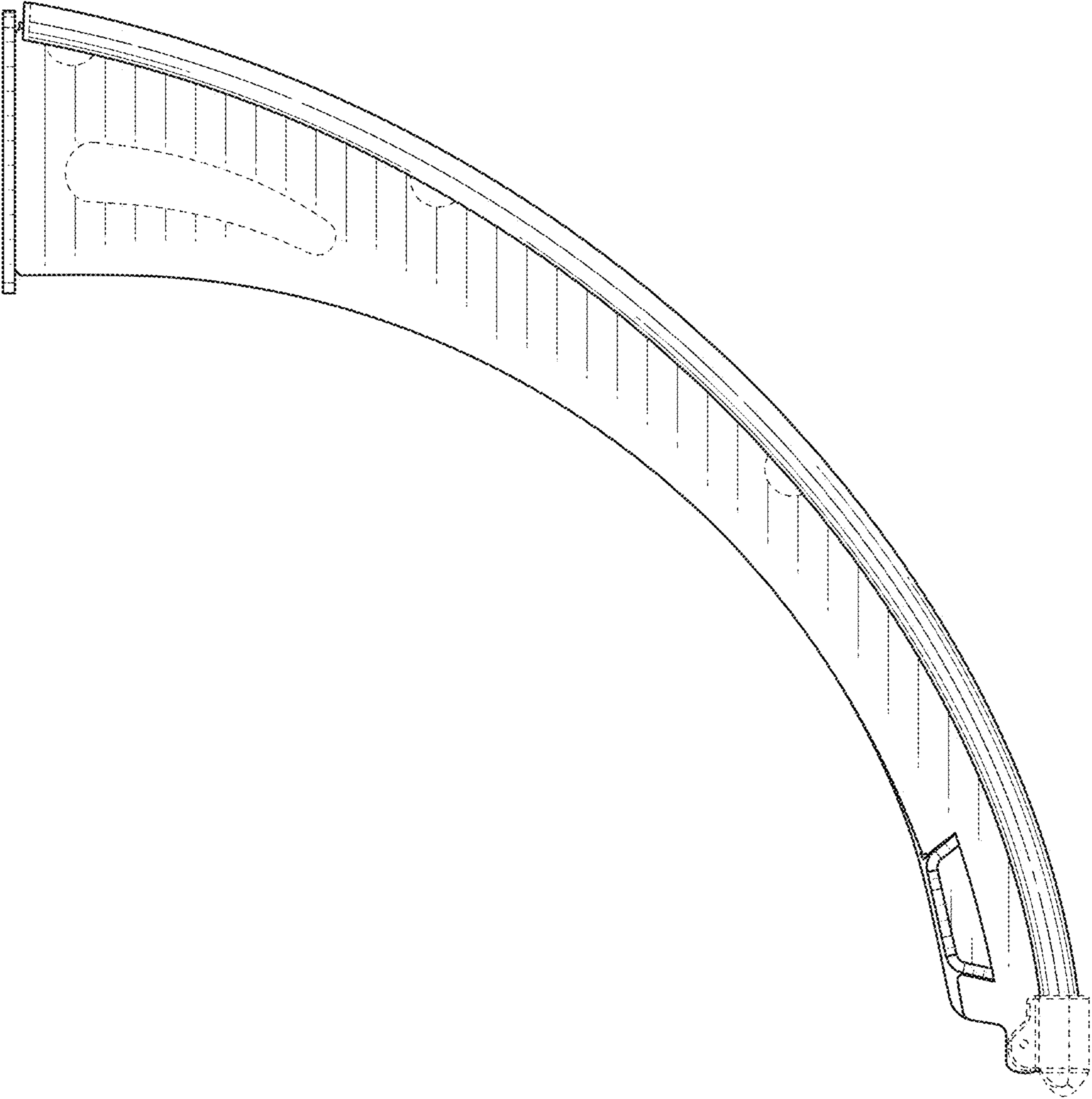


FIG. 6

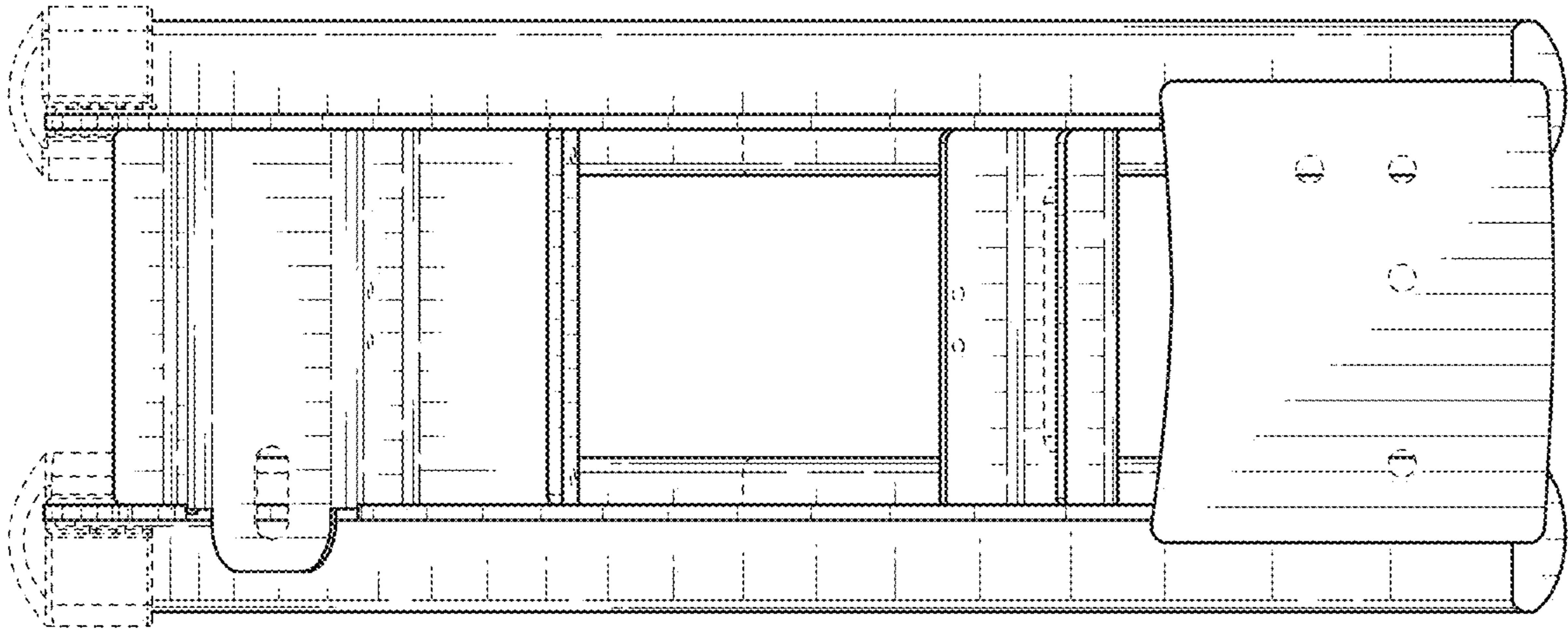


FIG. 7

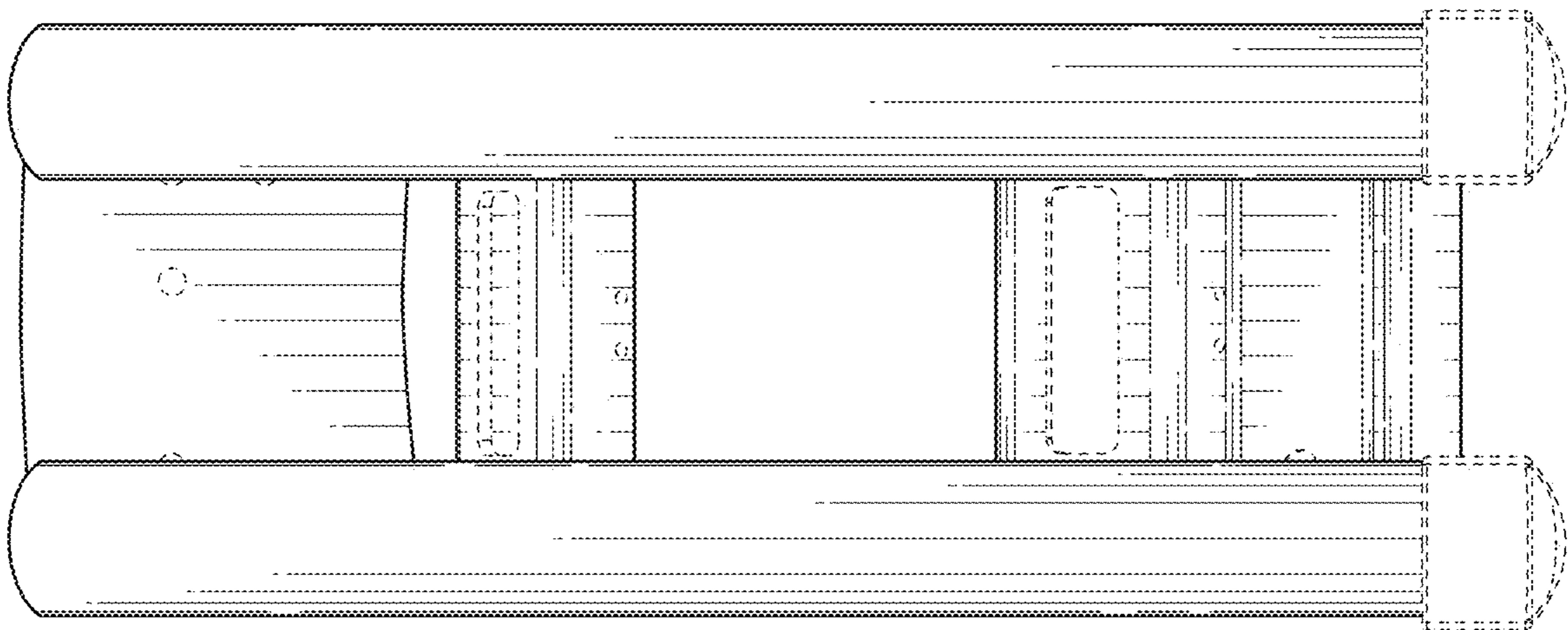


FIG. 8

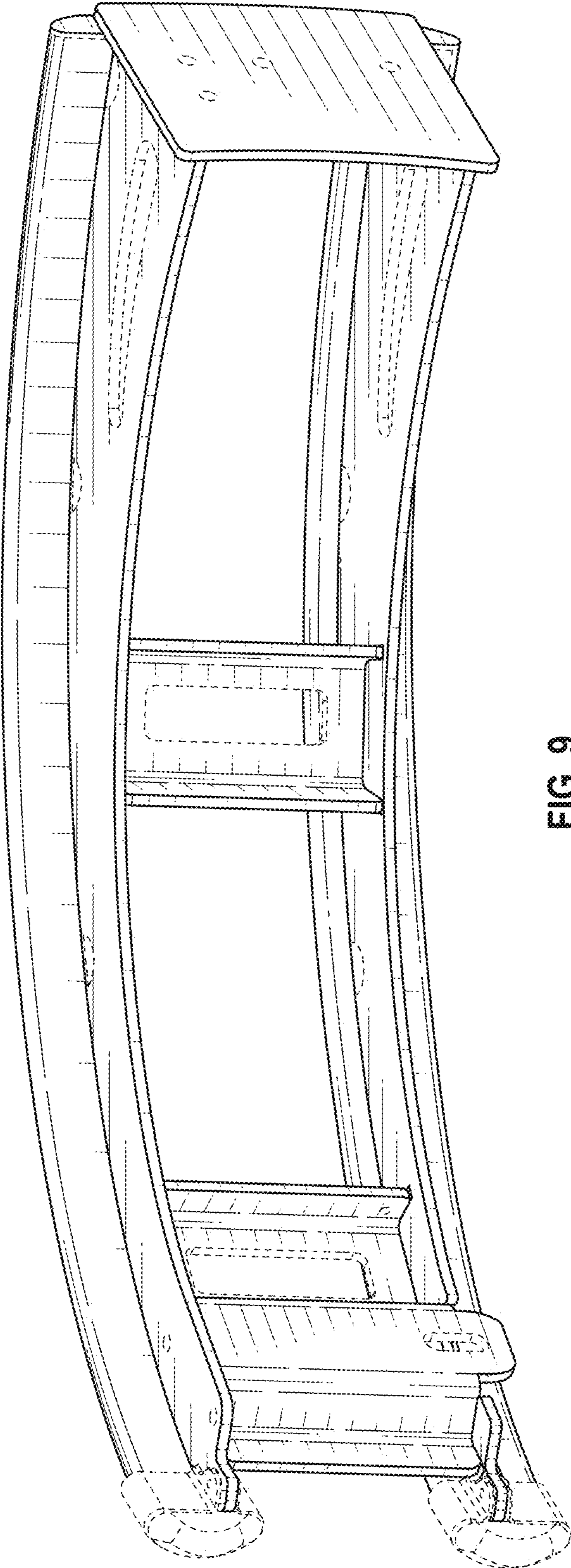


FIG. 9

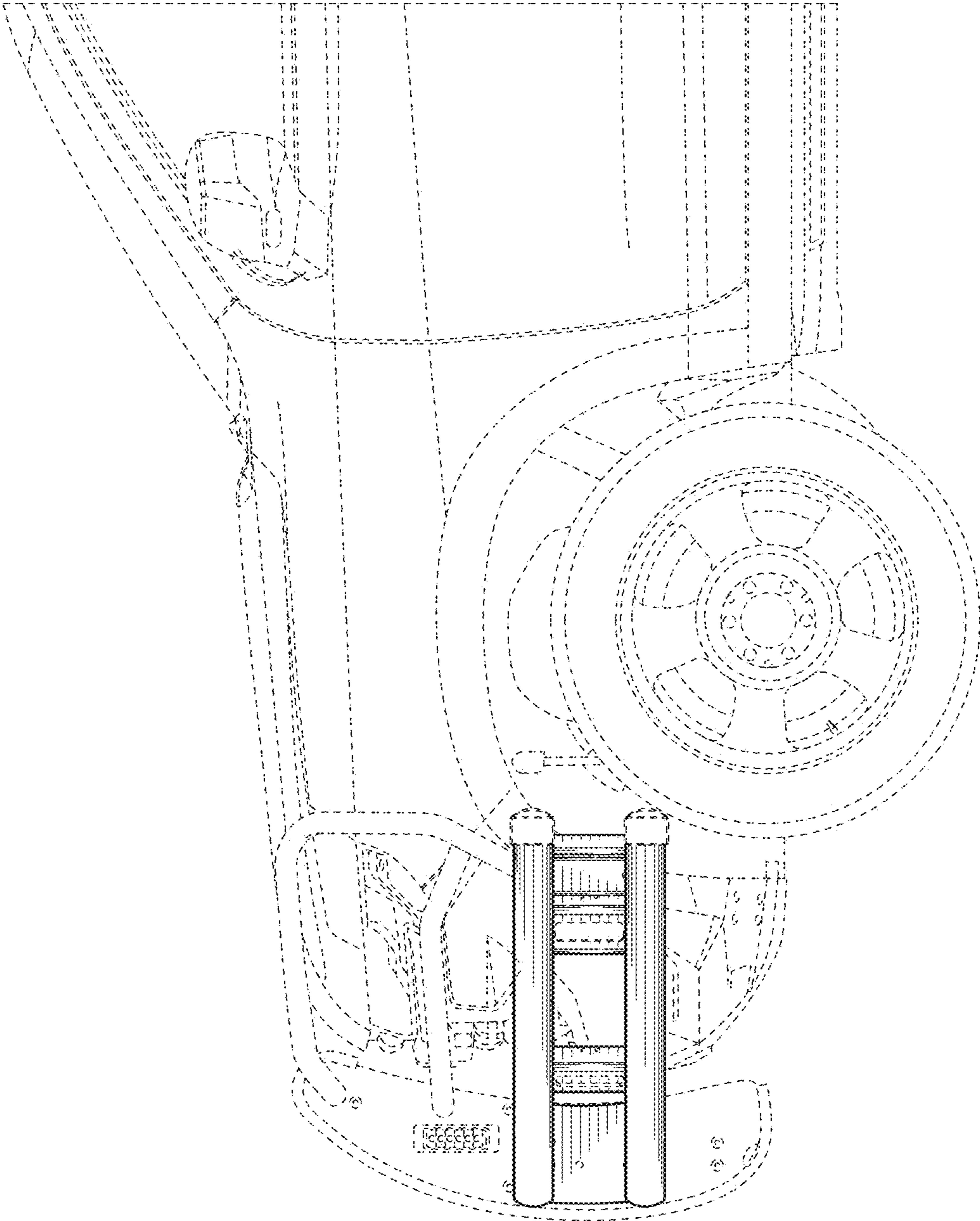


FIG. 10