



US00D950434S

(12) **United States Design Patent**
Hrevnack

(10) **Patent No.:** **US D950,434 S**

(45) **Date of Patent:** **** May 3, 2022**

(54) **VEHICLE BUMPER PROTECTOR**

(71) Applicant: **John Robert Hrevnack**, Middlesex, NJ
(US)

(72) Inventor: **John Robert Hrevnack**, Middlesex, NJ
(US)

(**) Term: **15 Years**

(21) Appl. No.: **29/811,285**

(22) Filed: **Oct. 13, 2021**

(51) **LOC (13) Cl.** **12-16**

(52) **U.S. Cl.**
USPC **D12/167**

(58) **Field of Classification Search**
USPC D12/86, 90–92, 163, 164, 169, 174, 196,
D12/216
CPC B60R 19/02; B60R 19/18; B60R 19/24;
B60R 19/56; B60R 2019/007; B62D
25/0845

See application file for complete search history.

(56) **References Cited**

U.S. PATENT DOCUMENTS

| | | | | |
|-----------|------|---------|-----------|-----------------------|
| 2,877,049 | A | 3/1959 | Lucas | |
| 3,170,714 | A | 2/1965 | Stalker | |
| 5,899,287 | A | 5/1999 | Kadlubski | |
| D422,542 | S * | 4/2000 | Richter | D12/167 |
| D437,810 | S * | 2/2001 | Runfola | D12/167 |
| 6,637,790 | B2 | 10/2003 | Bio | |
| D508,222 | S * | 8/2005 | Tekavec | D12/167 |
| D515,989 | S * | 2/2006 | Choi | D12/169 |
| 7,866,715 | B2 * | 1/2011 | Malina | B60R 19/44 293/142 |
| D640,618 | S * | 6/2011 | Lorenzo | B60R 19/44 D12/171 |
| D703,116 | S * | 4/2014 | DePalma | D12/167 |
| D743,852 | S * | 11/2015 | Rouzaud | D12/167 |
| 9,199,593 | B2 * | 12/2015 | Fritsch | B60R 19/48 |
| 9,308,880 | B1 * | 4/2016 | Johnson | B60R 21/01 |

| | | | | |
|----------|-----|---------|----------|---------|
| D756,858 | S * | 5/2016 | Malina | D12/167 |
| D756,859 | S * | 5/2016 | Malina | D12/167 |
| D799,387 | S * | 10/2017 | Malina | D12/167 |
| D814,997 | S * | 4/2018 | Dagrossa | D12/171 |
| D819,528 | S * | 6/2018 | Dagrossa | D12/171 |
| D858,375 | S * | 9/2019 | Fang | D12/171 |
| D939,397 | S * | 12/2021 | Duncan | D12/169 |

(Continued)

OTHER PUBLICATIONS

“TheBootFlap” TheBootFlap, posted date Apr. 21, 2017 [online],
[retrieved on Mar. 9, 2022]. Retrieved from the Internet <URL:
<https://bootliprotector.com/>> (Year: 2017).*

(Continued)

Primary Examiner — Darlington Ly

Assistant Examiner — Nasim Abdulaziz Ali

(74) *Attorney, Agent, or Firm* — Walter J. Tencza, Jr.

(57) **CLAIM**

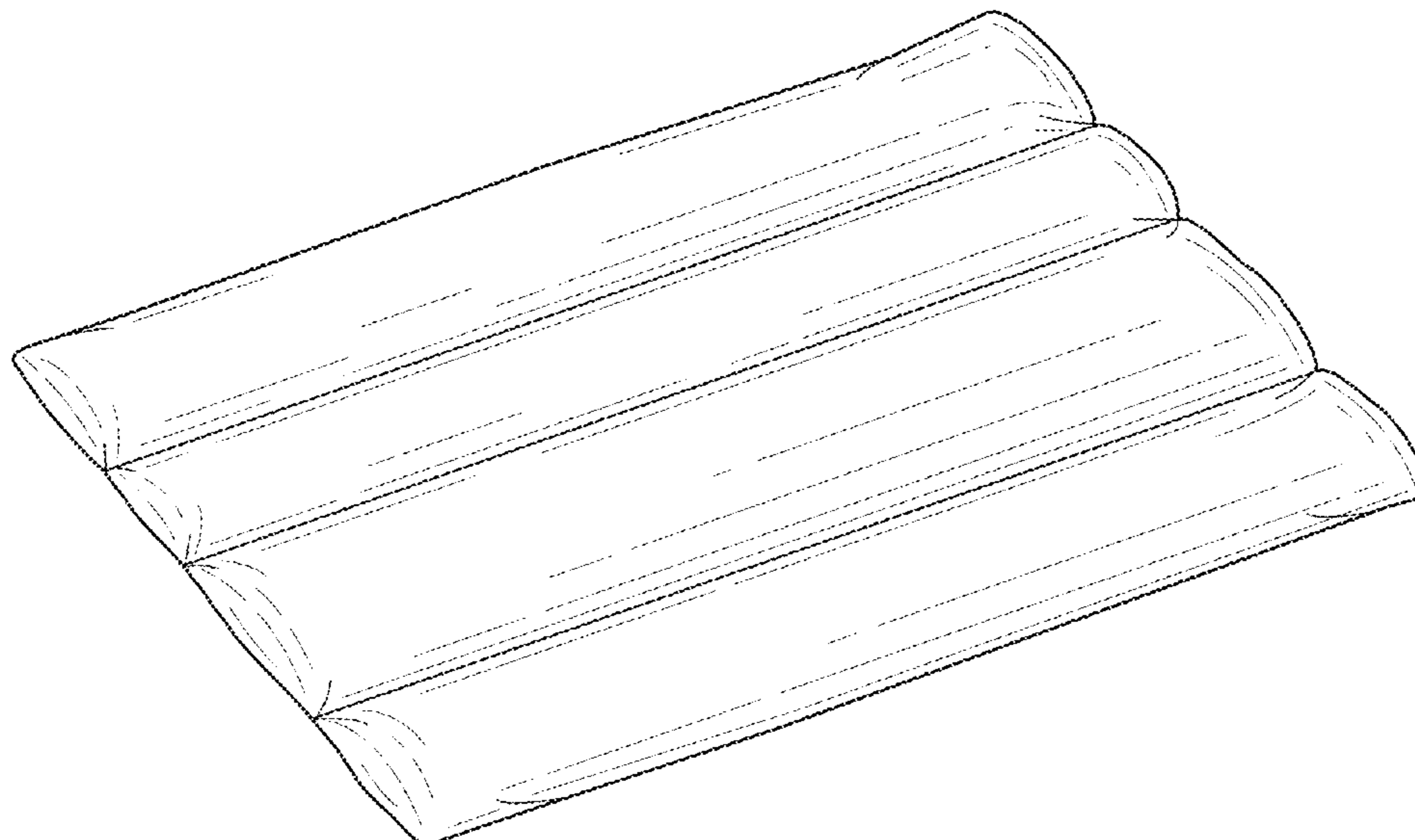
The ornamental design for a vehicle bumper protector, as shown and described.

DESCRIPTION

FIG. 1 is a front, top, and left side perspective view of the vehicle bumper protector embodying my new design; FIG. 2 is rear, bottom, and left side perspective view thereof; FIG. 3 is a top plan view thereof; FIG. 4 is a bottom plan view thereof; FIG. 5 is a left side elevation view thereof; FIG. 6 is a right side elevation view thereof; FIG. 7 is a rear elevation view thereof; FIG. 8 is a front elevation view thereof; and, FIG. 9 is a perspective view thereof, showing the vehicle bumper protector in use.

The broken line showing of a vehicle is provided for the purpose of illustrating environmental structure and form no part of the claimed design.

1 Claim, 5 Drawing Sheets



(56)

References Cited

U.S. PATENT DOCUMENTS

2010/0276951 A1* 11/2010 Malina B60R 19/44
293/142
2022/0048455 A1* 2/2022 Aalberg B60R 19/18

OTHER PUBLICATIONS

“Encell Foldable Car Bumper Guard” Encell posted date Aug. 4, 2016 [online], [retrieved on Mar. 9, 2022]. Retrieved from the Internet <URL:<https://www.amazon.com/Encell-Foldable-Bumper-Guard-Protector/dp/B01JOPUTAC/>> (Year: 2016).*

“MOFANS Foldable Car Bumper Guard” MOFANS, posted date Jan. 23, 2021 [online], [retrieved on Mar. 9, 2022]. Retrieved from the Internet <URL:<https://www.amazon.com/MOFANS-Foldable-Protector-Compatible-Universal/dp/B08TTNG7HZ/>> (Year: 2021).*

* cited by examiner

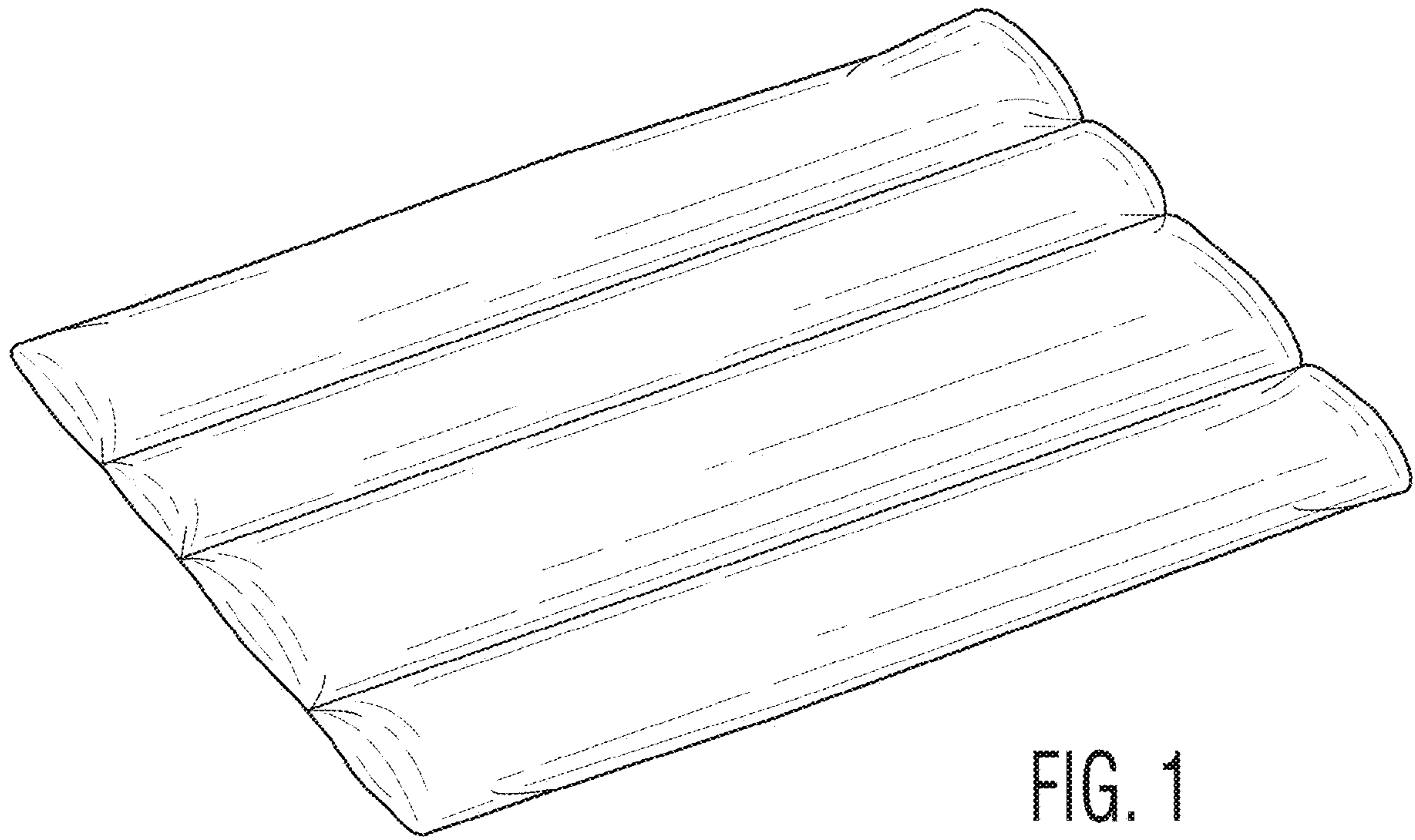


FIG. 1

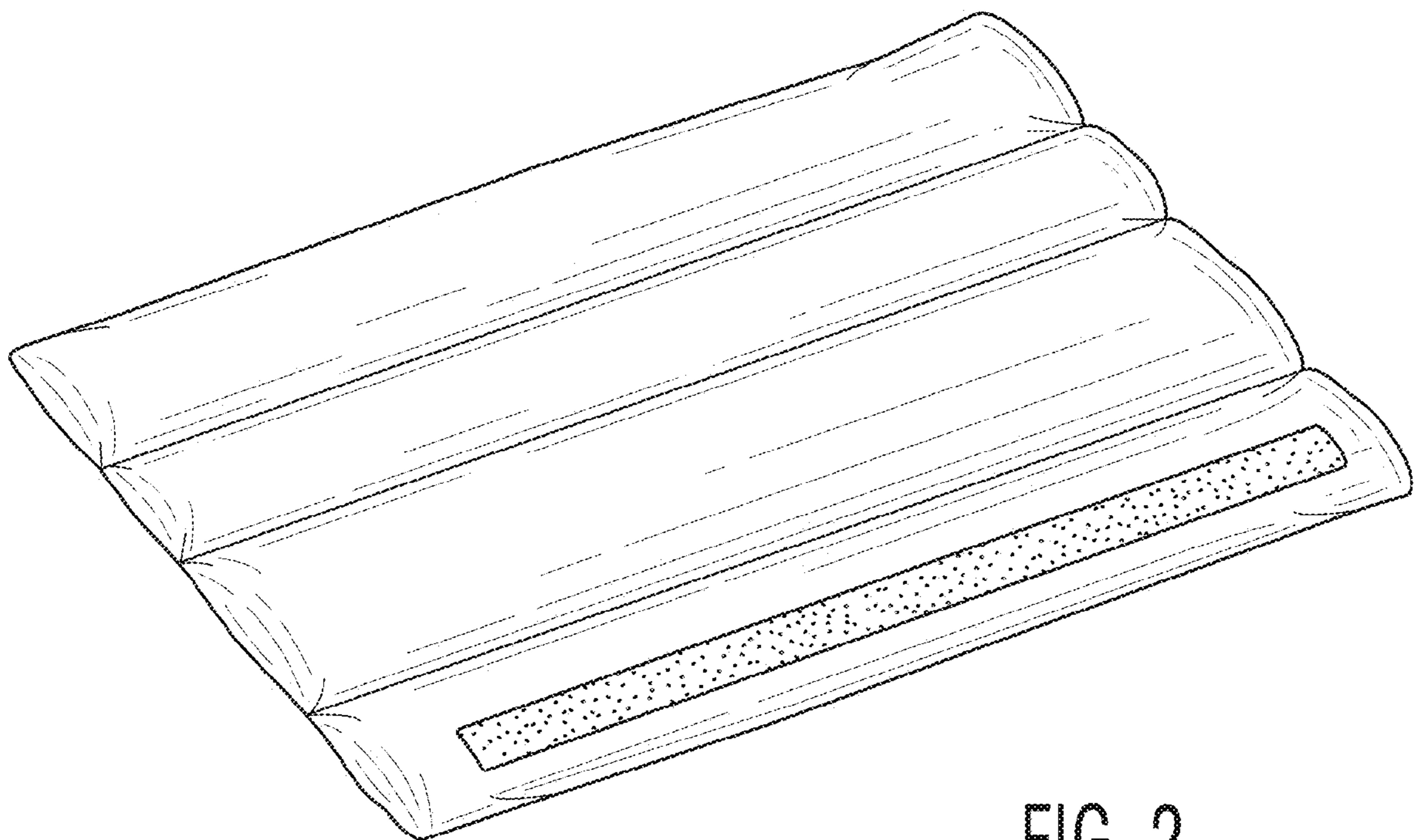


FIG. 2



FIG. 3

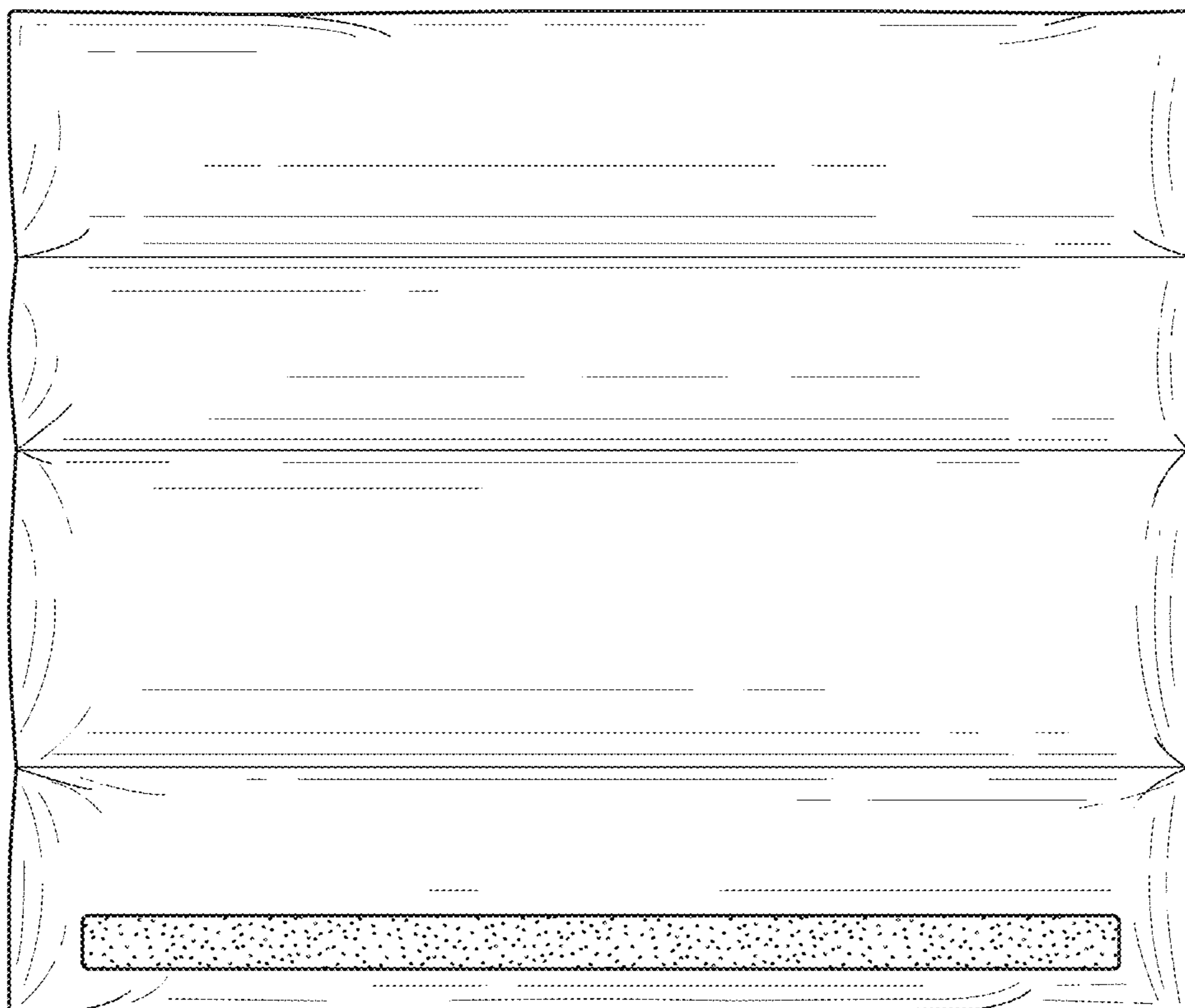


FIG. 4



FIG. 5



FIG. 6

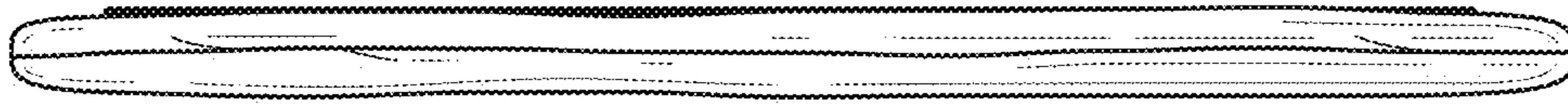


FIG. 7



FIG. 8

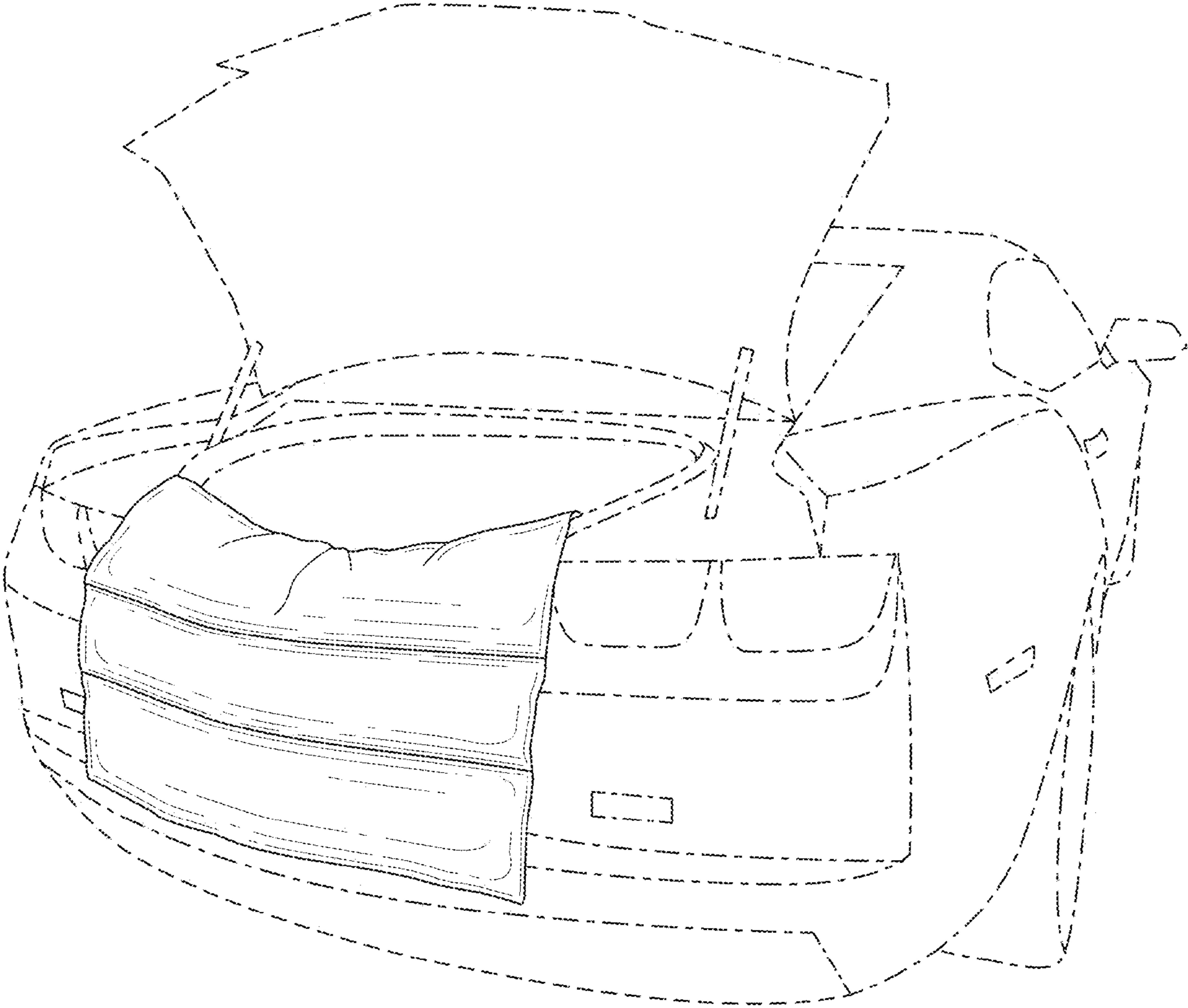


FIG. 9