



US00D950433S

(12) **United States Design Patent** (10) **Patent No.:** **US D950,433 S**  
**Burki** (45) **Date of Patent:** **\*\* May 3, 2022**

(54) **FRONT END PORTION OF A MOTOR VEHICLE, TOY REPLICA AND/OR OTHER REPLICA**

(71) Applicant: **Dr. Ing. h.c. F. Porsche Aktiengesellschaft, Stuttgart (DE)**

(72) Inventor: **Emiel Burki, Stuttgart (DE)**

(73) Assignee: **Dr. Ing. h.c. F. Porsche Aktiengesellschaft**

(\*\*) Term: **15 Years**

(21) Appl. No.: **29/713,370**

(22) Filed: **Nov. 15, 2019**

(30) **Foreign Application Priority Data**

May 17, 2019 (DE) ..... 402019100568.4

(51) **LOC (13) Cl.** ..... **12-16**

(52) **U.S. Cl.**  
USPC ..... **D12/164**

(58) **Field of Classification Search**  
USPC .... D12/86, 90-92, 164; D21/424, 433, 434, D21/533; 296/181.1-181.5, 183.1  
CPC ..... B62D 25/00; B62D 25/06; B62D 33/00; B62D 35/00  
See application file for complete search history.

(56) **References Cited**

**U.S. PATENT DOCUMENTS**

D763,736 S \* 8/2016 Varga ..... D12/92  
D763,737 S \* 8/2016 Varga ..... D12/92

D786,135 S \* 5/2017 Burki ..... D12/92  
D826,093 S \* 8/2018 Manzoni ..... D12/92  
D829,609 S \* 10/2018 Niimi ..... D12/92  
D830,910 S \* 10/2018 Tamatani ..... D12/92  
D834,455 S \* 11/2018 Yamashita ..... D12/92  
D865,568 S \* 11/2019 Burki ..... D12/92  
D868,630 S \* 12/2019 Burki ..... D12/92  
D870,595 S \* 12/2019 Takei ..... D12/92  
D877,658 S \* 3/2020 Burki ..... D12/91  
D880,359 S \* 4/2020 Baum ..... D12/92  
D883,145 S \* 5/2020 Baum ..... D12/92  
D883,146 S \* 5/2020 Baum ..... D12/92

\* cited by examiner

*Primary Examiner* — Melody N Brown

(74) *Attorney, Agent, or Firm* — RatnerPrestia

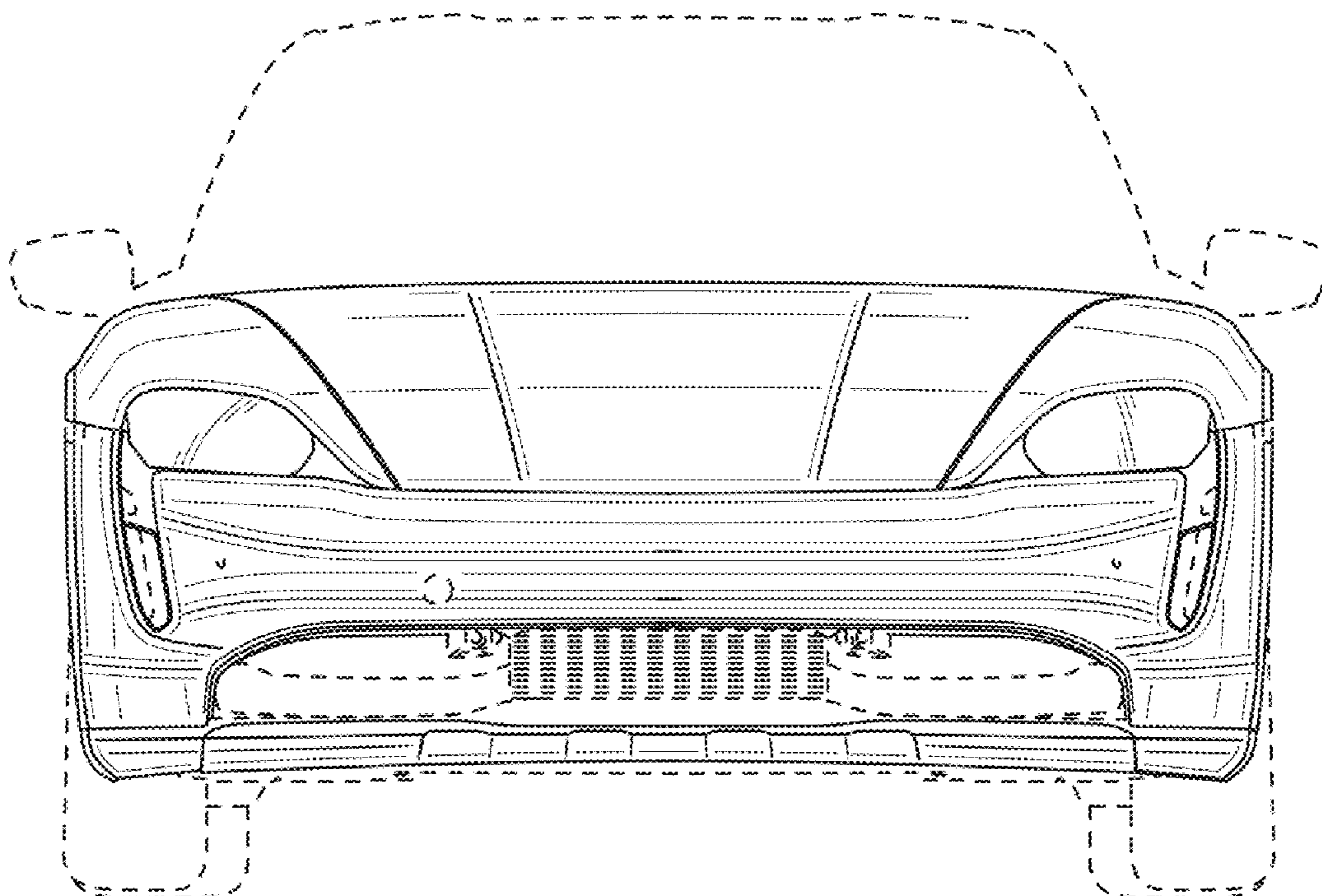
(57) **CLAIM**

The ornamental design for a front end portion of a motor vehicle, toy replica and/or other replica, as shown and described.

**DESCRIPTION**

FIG. 1 is a front elevation view of a front end portion of a motor vehicle, toy replica and/or other replica showing my new design;  
FIG. 2 is an elevation view from the left side thereof, the right side being a substantial mirror image thereof; and,  
FIG. 3 is a top plan view thereof.  
The broken lines shown throughout the drawing views are for environmental and illustrative purposes that form no part of the claimed design.

**1 Claim, 3 Drawing Sheets**



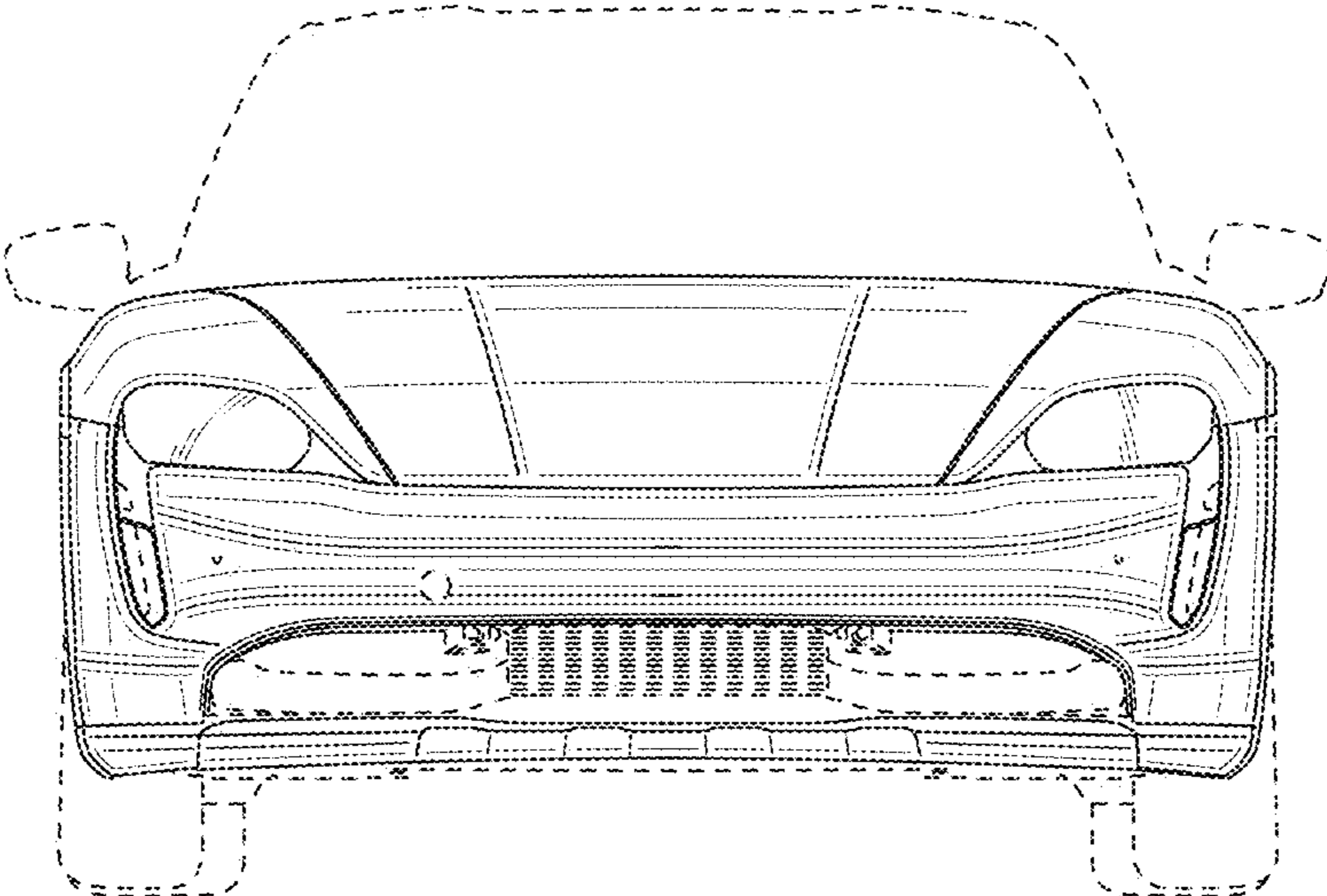


FIG. 1

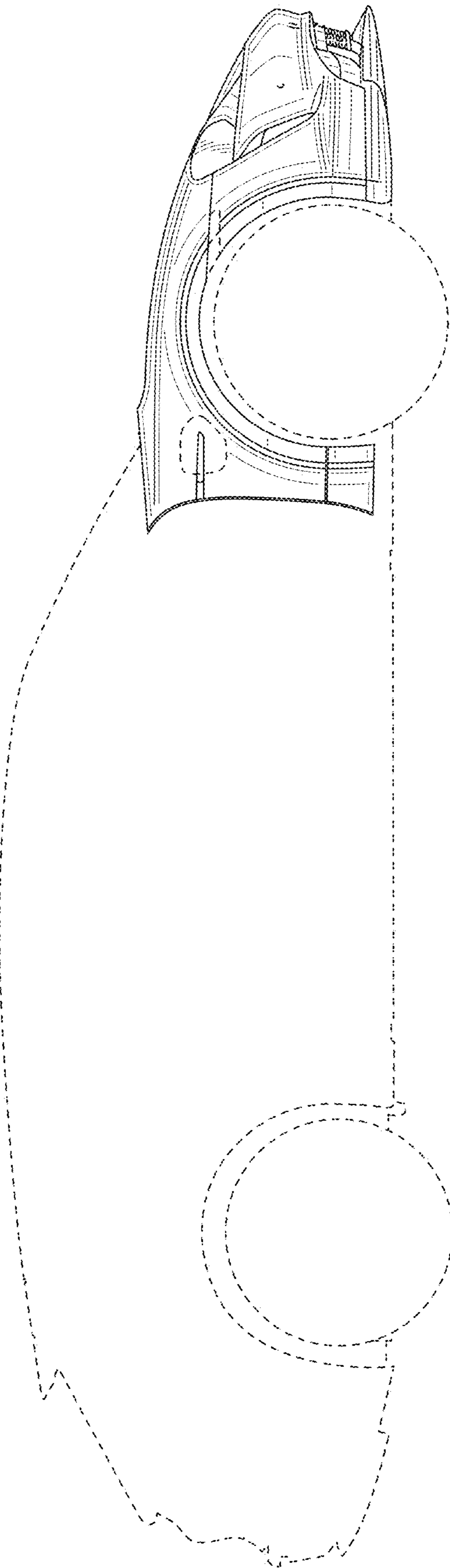


FIG. 2

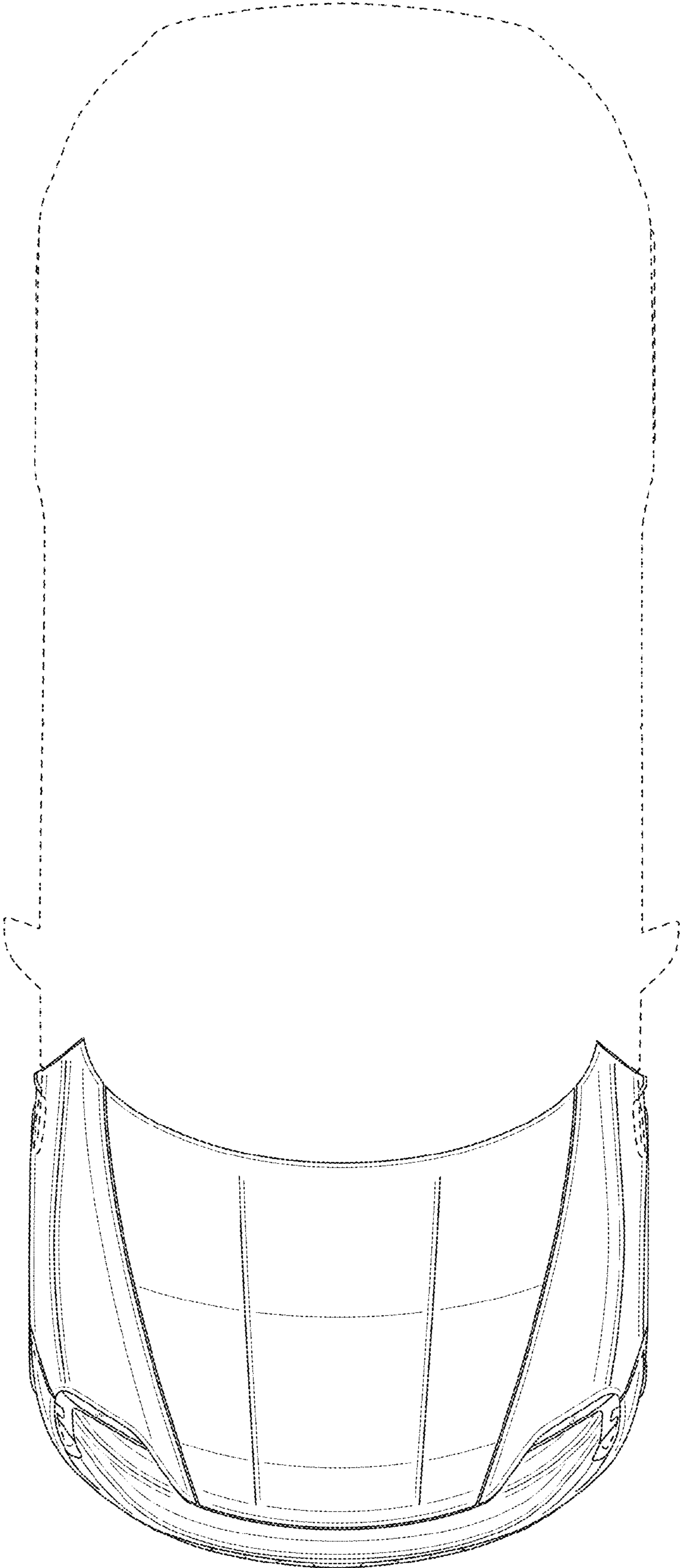


FIG. 3