



US00D950428S

(12) **United States Design Patent**
De Rudnicki et al.

(10) **Patent No.:** **US D950,428 S**

(45) **Date of Patent:** **** May 3, 2022**

(54) **AIR FLOW GENERATOR MODULE**

(71) Applicants: **AXLR, SATT DU LANGUEDOC**
ROUSSILLON, Montpellier (FR);
INSTITUT NATIONAL DE
RECHERCHE EN SCIENCES ET
TECHNOLOGIES POUR
L'ENVIRONNEMENT ET
L'AGRICULTURE, Antony (FR)

(72) Inventors: **Vincent De Rudnicki**, Montpellier (FR); **Jean-François Bonicel**, Montpellier (FR); **Raphaël Cherfan**, Grabels (FR)

(**) Term: **15 Years**

(21) Appl. No.: **29/750,405**

(22) Filed: **Sep. 14, 2020**

Related U.S. Application Data

(62) Division of application No. 35/506,731, filed on Nov. 5, 2018 (U.S. filing date under 35 U.S.C. 384), and having an international filing date of Nov. 5, 2018, now Pat. No. Des. 909,260.

(51) **LOC (13) Cl.** **12-16**

(52) **U.S. Cl.**
USPC **D12/163**

(58) **Field of Classification Search**
USPC D12/194; D15/5
CPC ... F01N 1/04; F01N 1/24; F01N 13/08; F01N 13/0082; F01N 13/085; F01N 13/087
See application file for complete search history.

(56) **References Cited**

U.S. PATENT DOCUMENTS

D278,326 S * 4/1985 Equi D12/194
D299,917 S * 2/1989 Lessel D12/194

D414,452 S * 9/1999 Verlengiere D12/194
D452,694 S * 1/2002 Irie D15/5
D551,607 S * 9/2007 LaRussa D12/194
D614,104 S * 4/2010 Waggoner D12/194
D622,647 S * 8/2010 Hilton D12/194
D707,258 S * 6/2014 Tomioka D15/5
D717,343 S * 11/2014 Chino D15/5
D719,075 S * 12/2014 Hilton D12/194
8,991,160 B2 * 3/2015 Katou B01F 25/435
60/301
9,062,589 B2 * 6/2015 Katou F01N 3/035
D804,383 S * 12/2017 Akrapovic D12/194
D812,100 S * 3/2018 Litchfield D15/5
D832,756 S * 11/2018 Akrapovic D12/194
D837,119 S * 1/2019 Akrapovic D12/194
D853,920 S * 7/2019 Hudnall D12/194
D866,425 S * 11/2019 Lee D12/194
D879,153 S * 3/2020 Koshin D15/5

* cited by examiner

Primary Examiner — Darlington Ly

(74) *Attorney, Agent, or Firm* — Mandelbaum Silfin
Economou LLP; John S. Economou

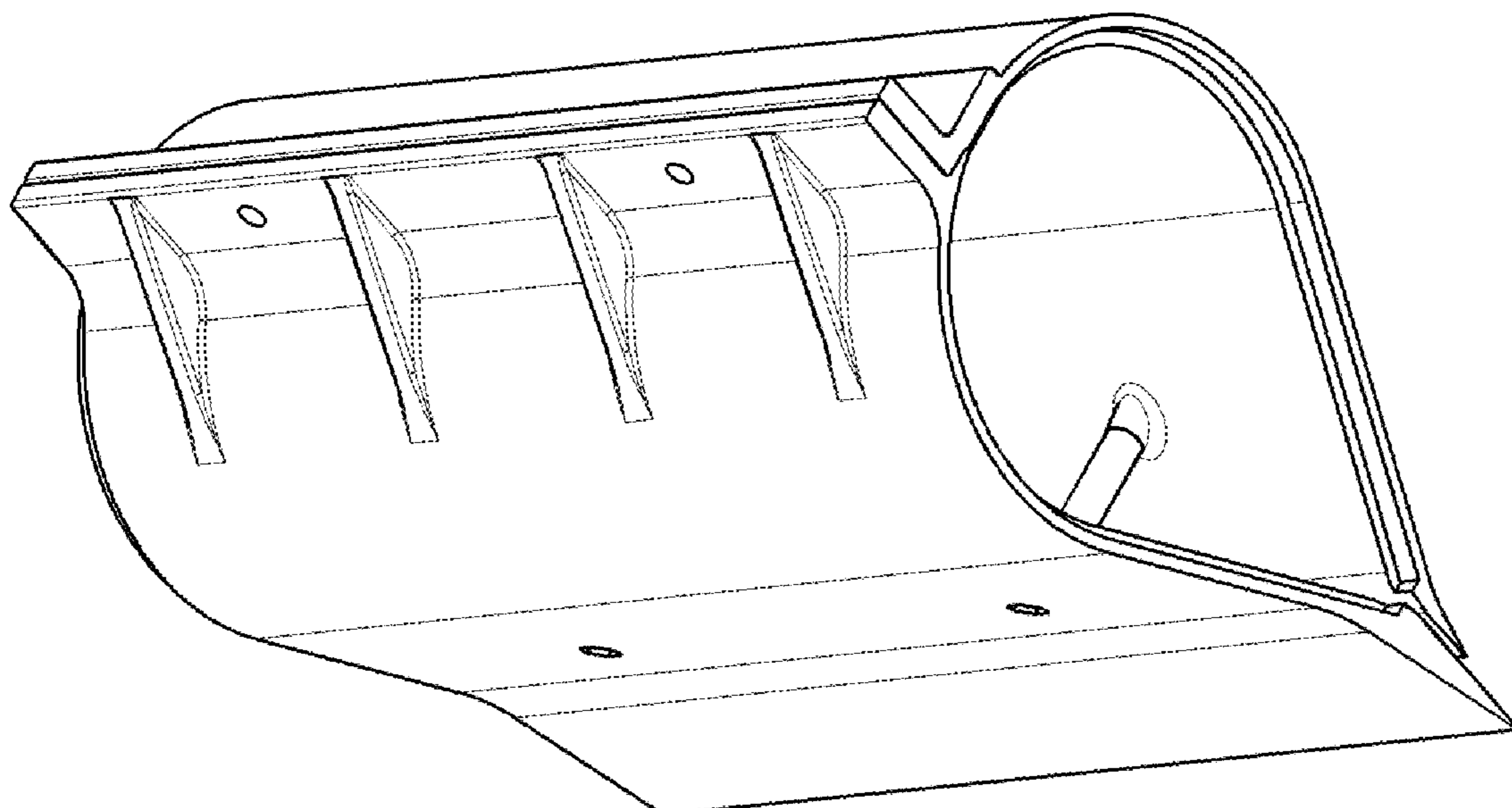
(57) **CLAIM**

The ornamental design for an air flow generator module, as shown and described.

DESCRIPTION

FIG. 1 is a perspective view of an air flow generator module embodying our new design;
FIG. 2 is a front elevation view thereof;
FIG. 3 is a left side elevation view thereof;
FIG. 4 is a right side elevation view thereof;
FIG. 5 is a bottom plan view thereof;
FIG. 6 is a top plan view thereof; and,
FIG. 7 is a rear elevation view thereof.

1 Claim, 7 Drawing Sheets



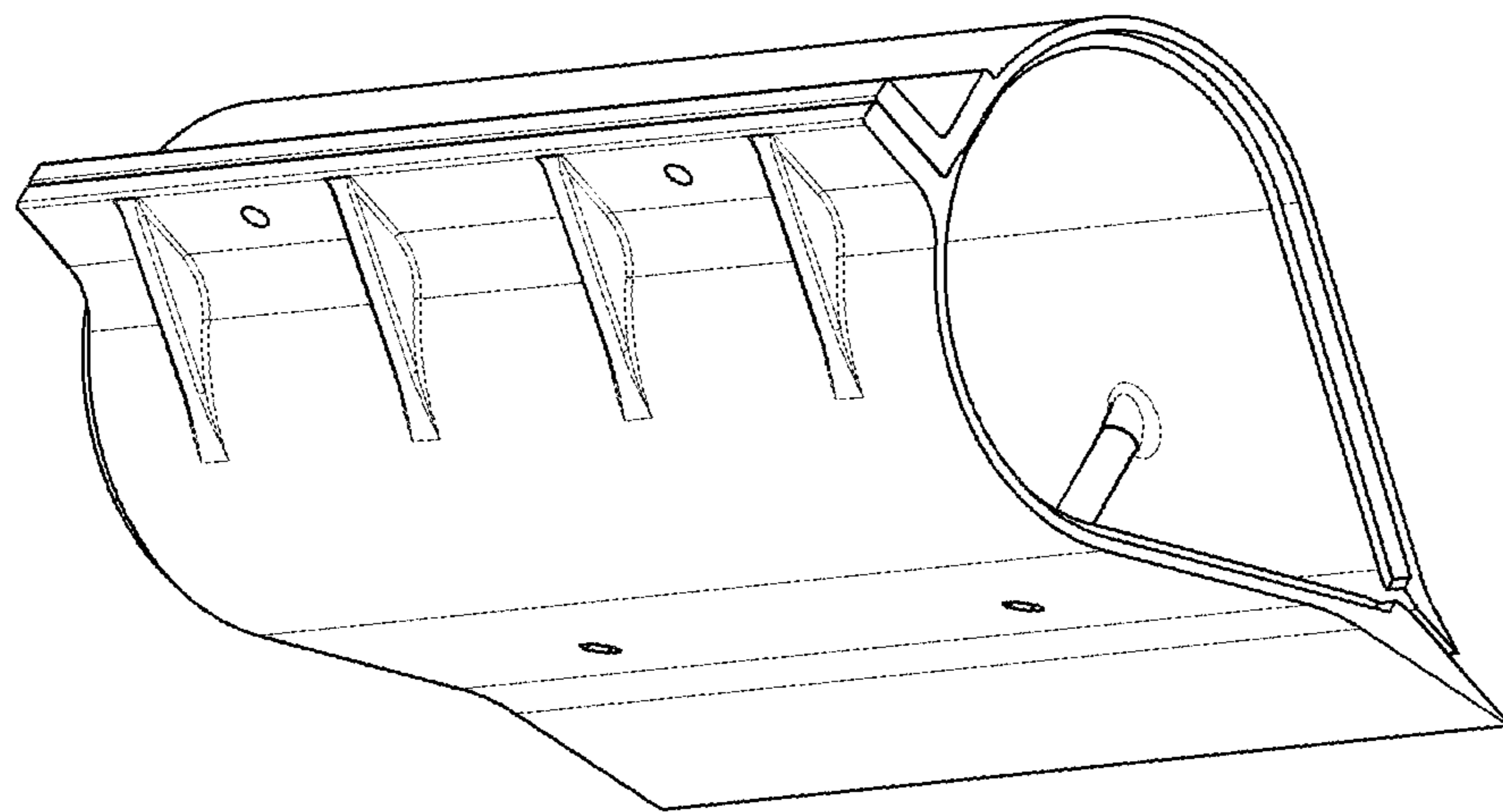


FIG. 1

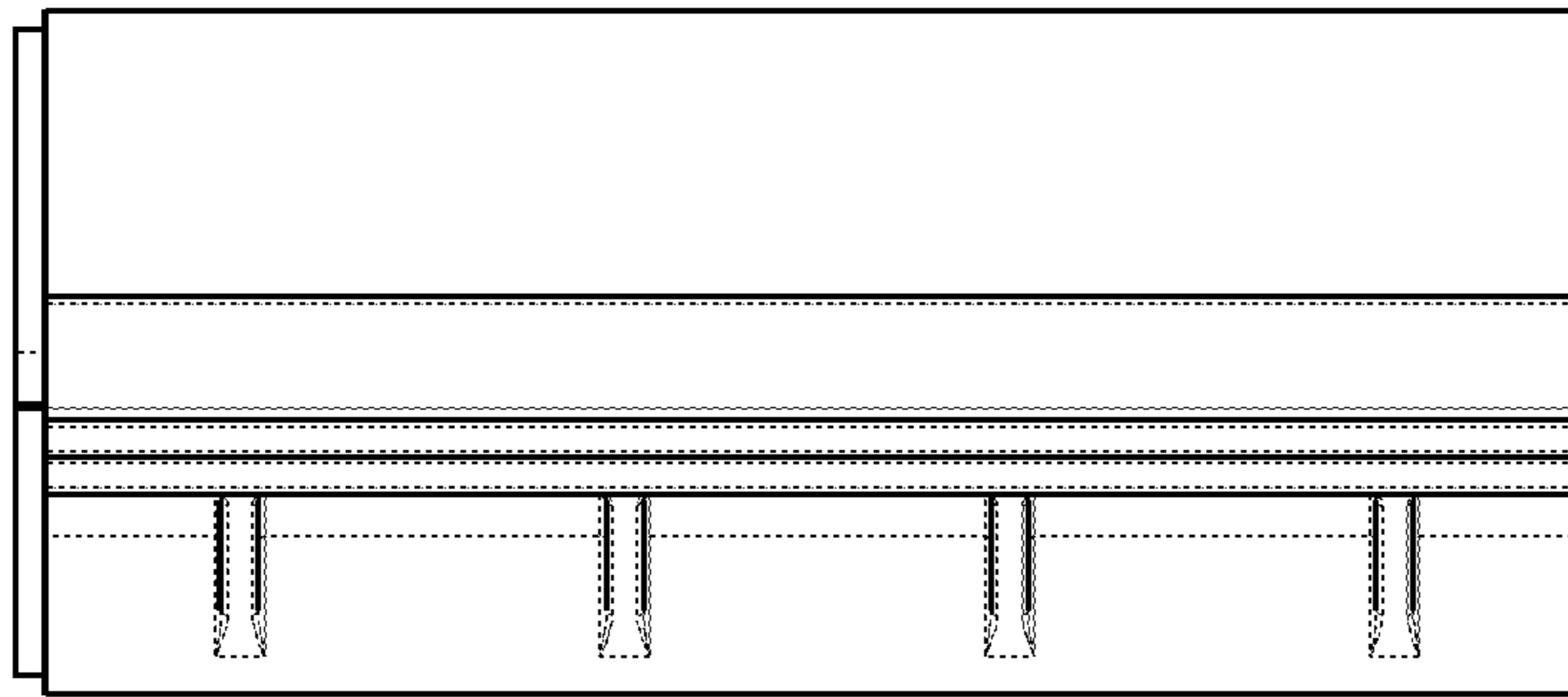


FIG. 2

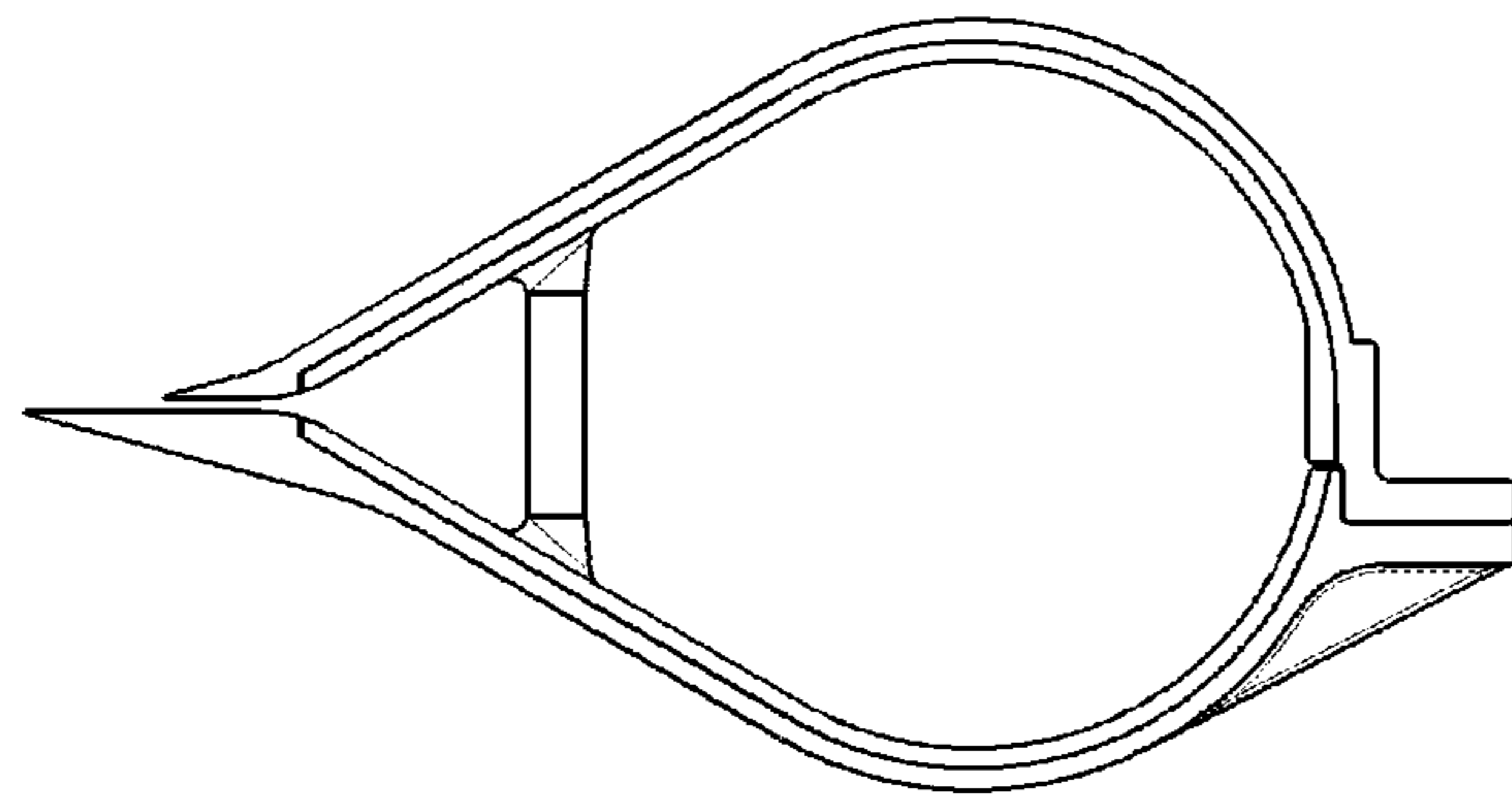


FIG. 3

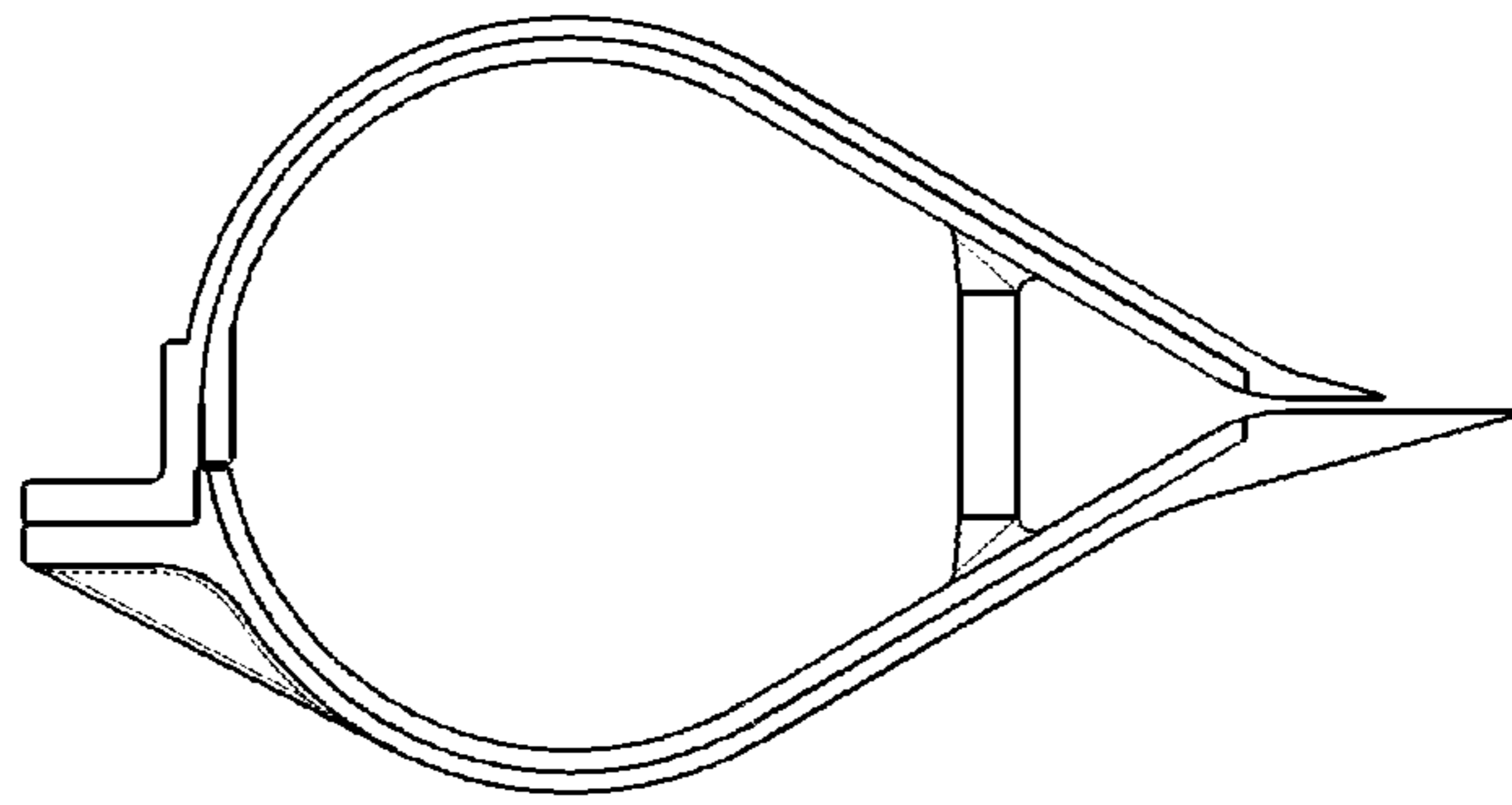


FIG. 4

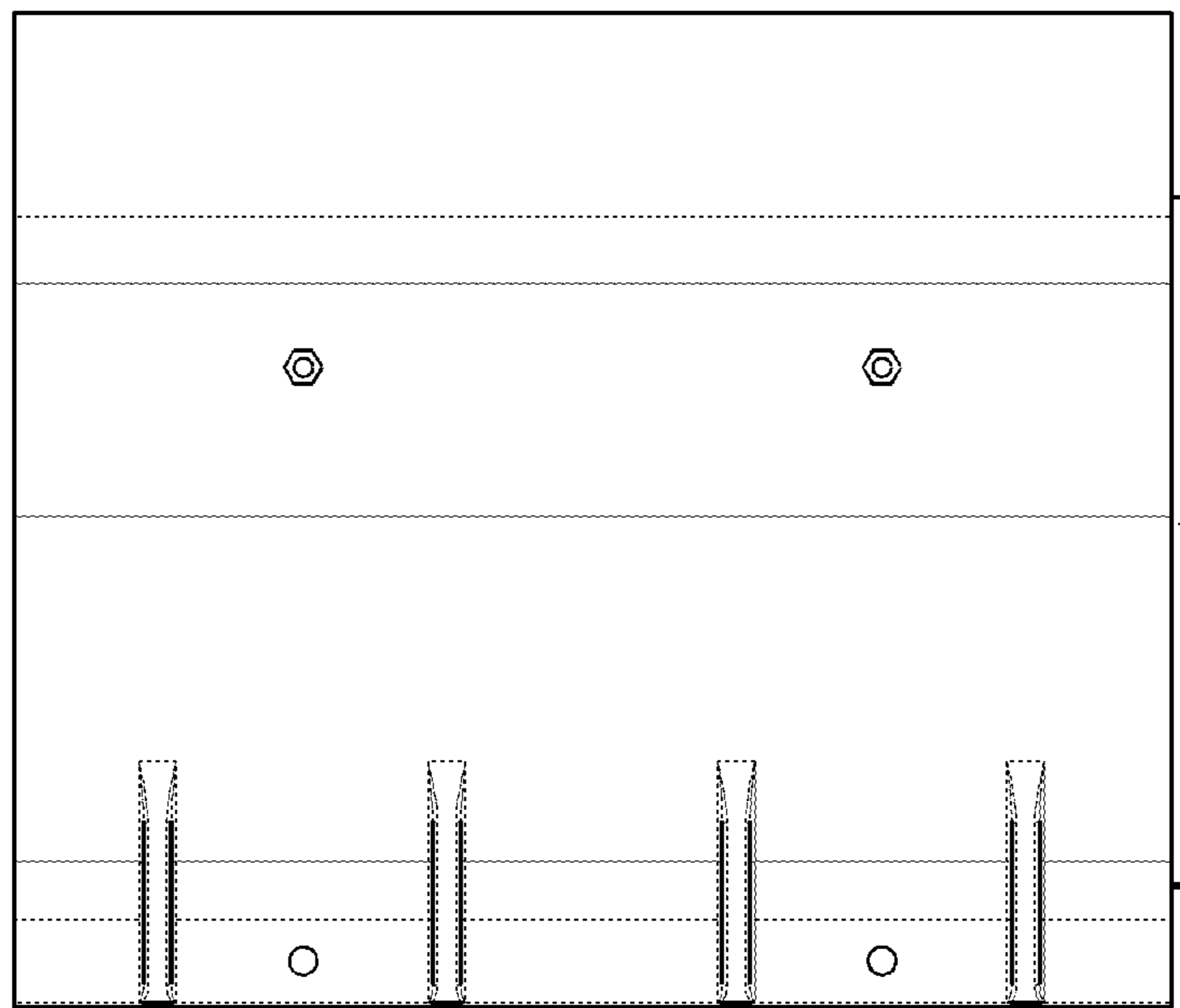


FIG. 5

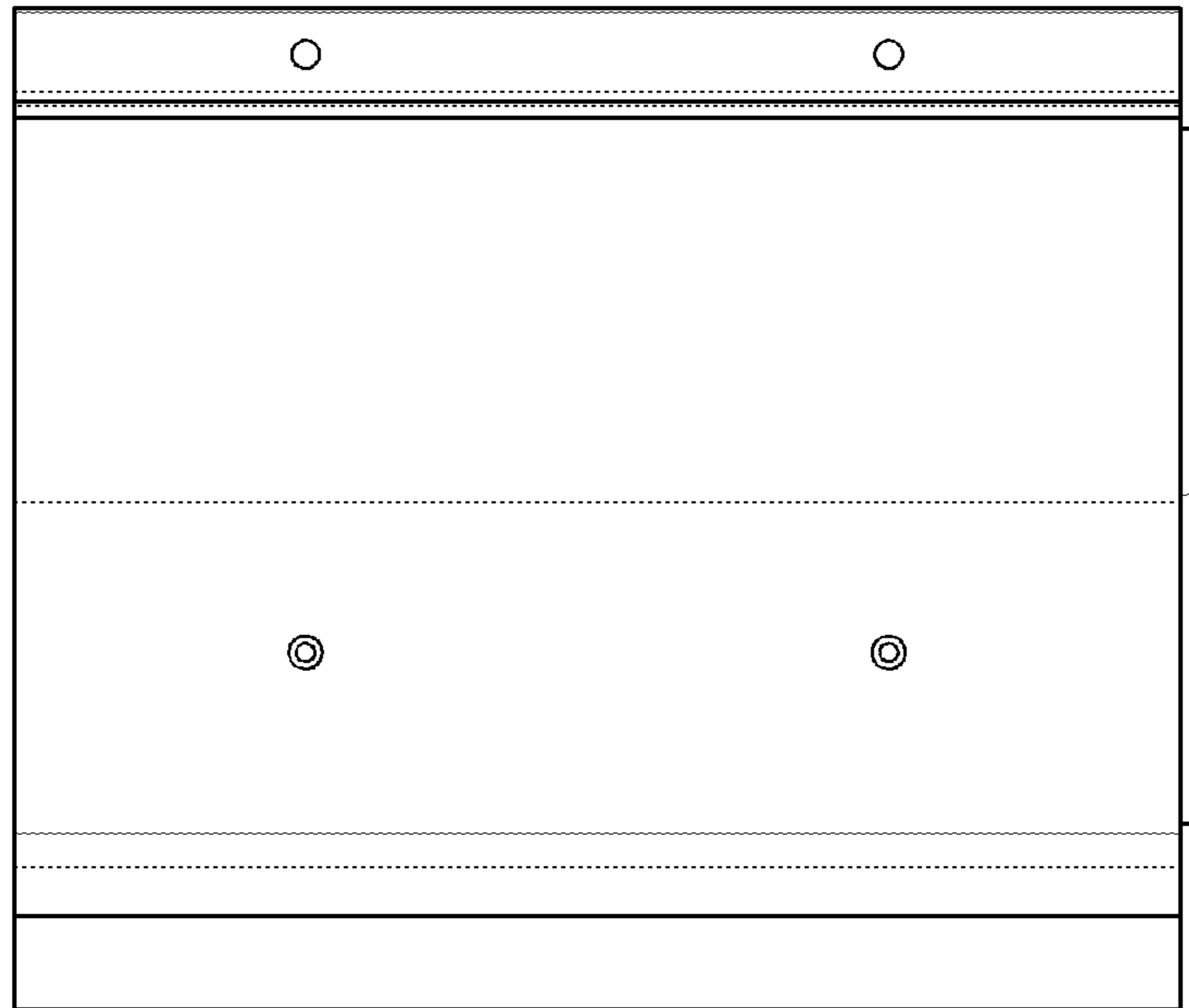


FIG. 6

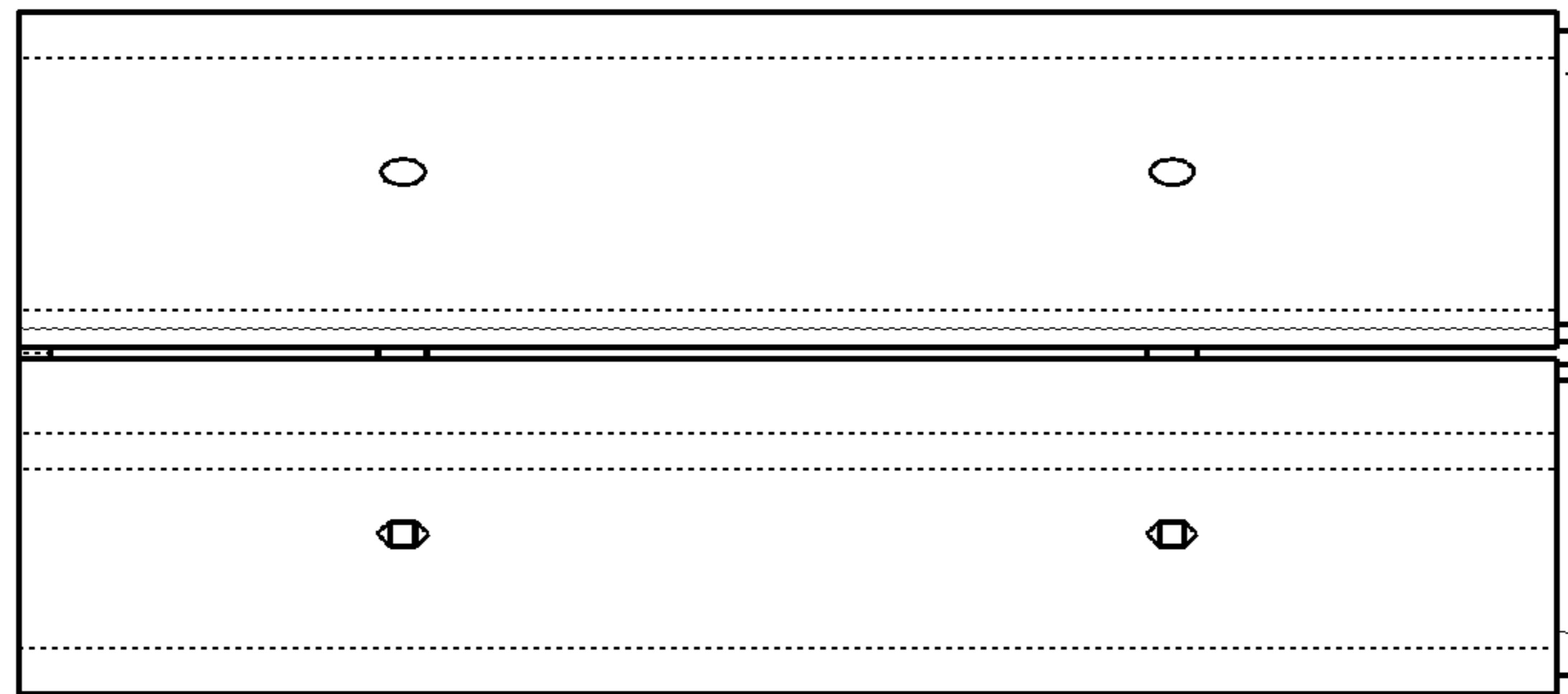


FIG. 7