



US00D950427S

(12) **United States Design Patent** (10) **Patent No.:** **US D950,427 S**
Maybank (45) **Date of Patent:** **** May 3, 2022**

(54) **HITCH PIN RETAINER**

(71) Applicant: **Stephen A. Maybank**, Millington, TN (US)

(72) Inventor: **Stephen A. Maybank**, Millington, TN (US)

(**) Term: **15 Years**

(21) Appl. No.: **29/664,022**

(22) Filed: **Sep. 20, 2018**

(51) **LOC (13) Cl.** **12-16**

(52) **U.S. Cl.**
USPC **D12/162**

(58) **Field of Classification Search**
USPC D9/682-694, 504, 516, 529, 434-436, D9/445, 448, 500, 502, 503; D7/507, D7/509, 510, 511, 514, 515, 516, 519, D7/523, 533, 534, 535, 536, 608, 300.1, D7/300.2, 629, 300, 401.1, 392.1, 396.2; D12/162, 159, 160, 161; D15/7-9, 139; D23/231, 232, 225, 355; D28/76, 77, 88, D28/89, 91.1
CPC A47G 23/16; A47G 19/22; A47G 19/2288; A47G 19/2205; A47G 19/2211; A47G 19/2266; A47G 19/2272; B05B 11/00; B05B 11/0027; B05B 11/0035; B05B 11/3004; B05B 11/3001; E05B 73/00; F04B 39/00; F04B 39/10
See application file for complete search history.

(56) **References Cited**

U.S. PATENT DOCUMENTS

D380,042 S * 6/1997 Yuda D23/355
D461,827 S * 8/2002 Koebbe D15/7
D506,210 S * 6/2005 Selic D15/7
D612,772 S * 3/2010 Goodman D12/162

D620,035 S * 7/2010 Eades D15/139
D623,200 S * 9/2010 Fulkerson D15/7
D643,442 S * 8/2011 Sato D15/9
D728,627 S * 5/2015 Walter D15/7
D729,584 S * 5/2015 Weston D7/510
D737,149 S * 8/2015 Son D9/688
D742,927 S * 11/2015 Thompson D15/7
D749,994 S * 2/2016 Verboeket D12/162
D871,844 S * 1/2020 Adams, Jr. D7/510
D873,074 S * 1/2020 Diefenbach D7/510
D900,615 S * 11/2020 Gautier D9/503
D902,722 S * 11/2020 Shiota D9/503
2019/0021529 A1* 1/2019 Schucker A47G 23/16
2019/0383064 A1* 12/2019 Maybank E05B 73/00

* cited by examiner

Primary Examiner — Susan E Krakower
Assistant Examiner — Jerry Shiuan-Hua Hsu

(57) **CLAIM**

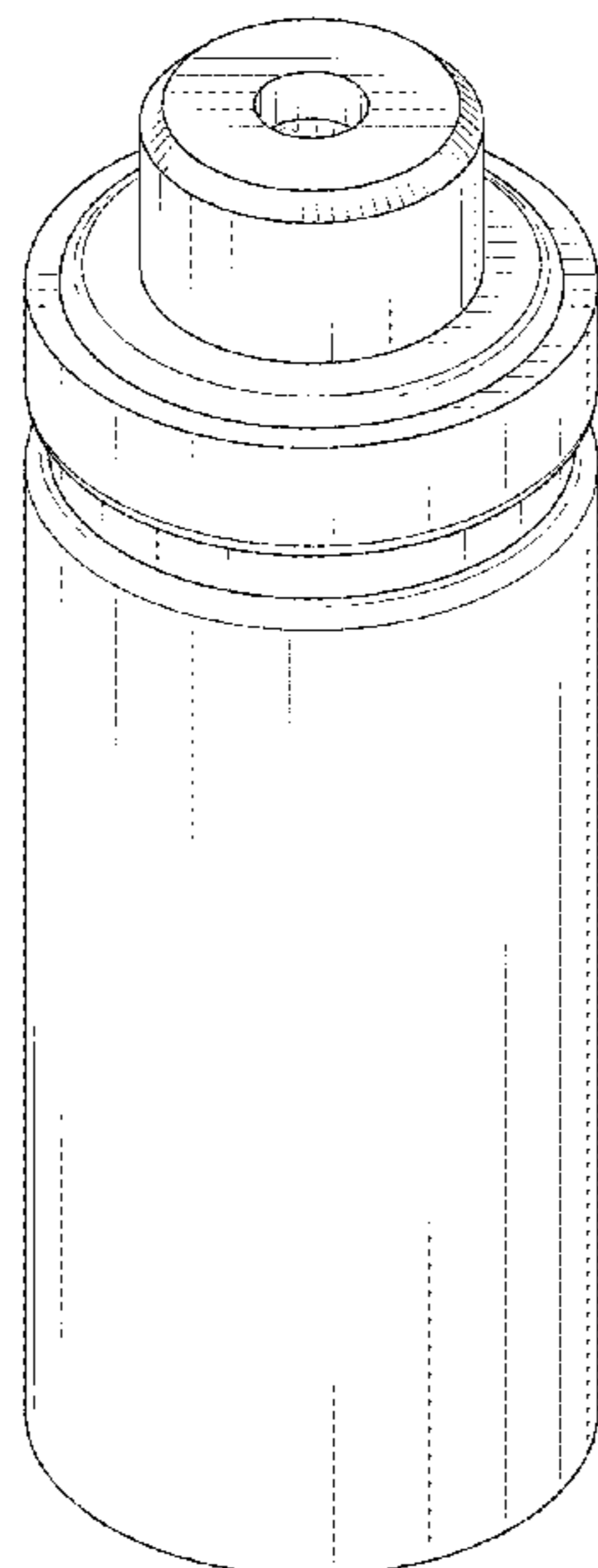
The ornamental design for a hitch pin retainer, as shown and described.

DESCRIPTION

FIG. 1 is a top perspective view of a hitch pin retainer showing my new design;
FIG. 2 is a bottom perspective view thereof;
FIG. 3 is a front view thereof;
FIG. 4 is a rear view thereof;
FIG. 5 is a left view thereof;
FIG. 6 is a right view thereof;
FIG. 7 is a top view thereof;
FIG. 8 is a bottom view thereof; and,
FIG. 9 is a section view thereof taken along line 9-9 in FIG. 7.

The broken lines illustrate portions of the hitch pin retainer and form no part of the claimed design. The broken lines depicting cut lines in FIG. 7 form no part of the claimed design.

1 Claim, 9 Drawing Sheets



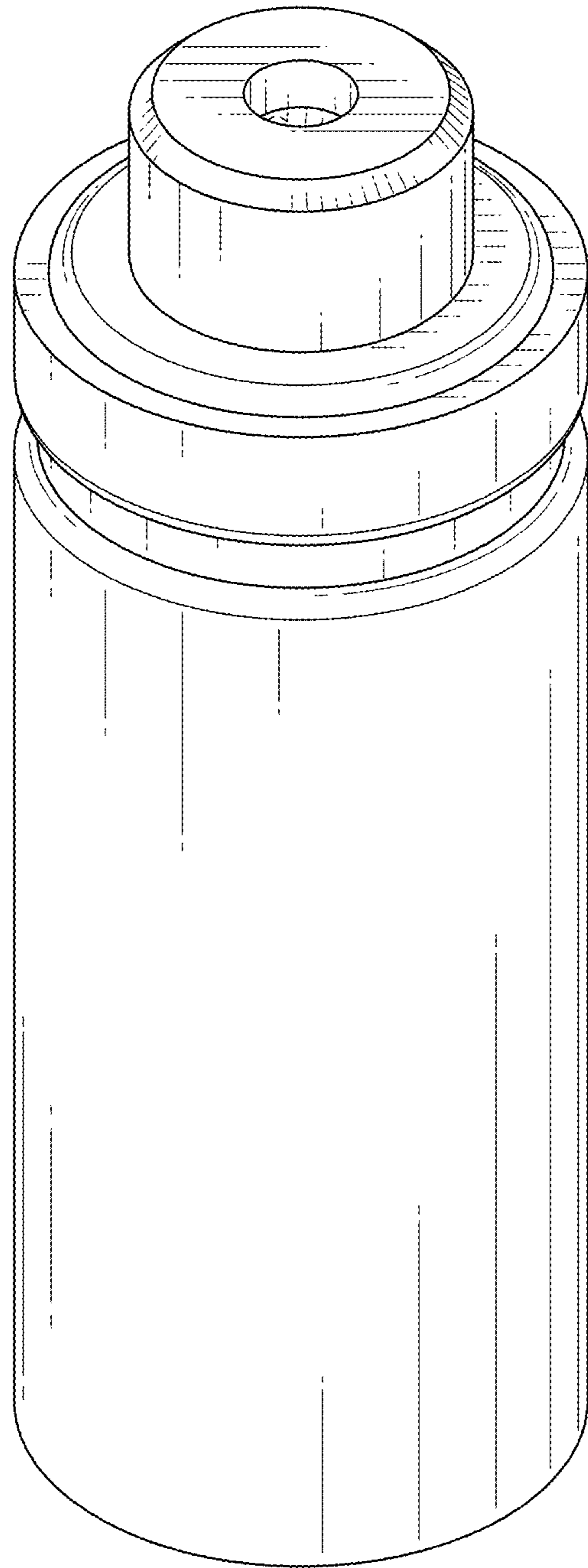


FIG. 1

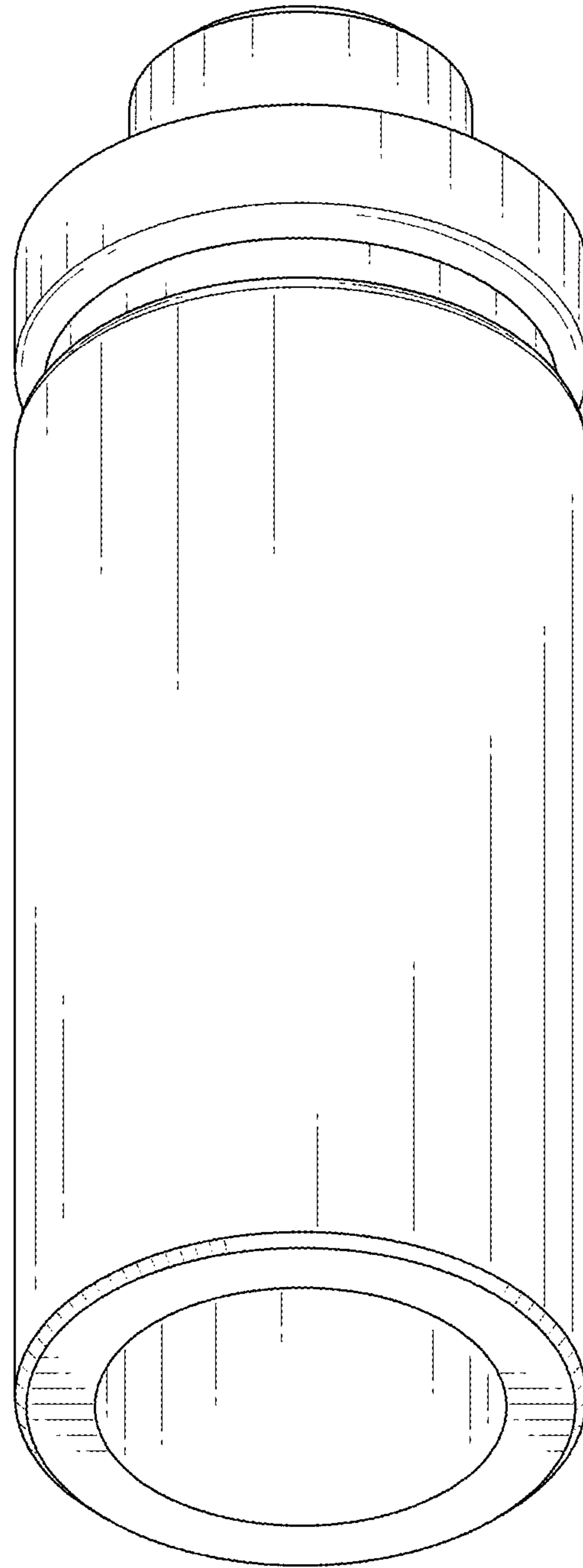


FIG. 2

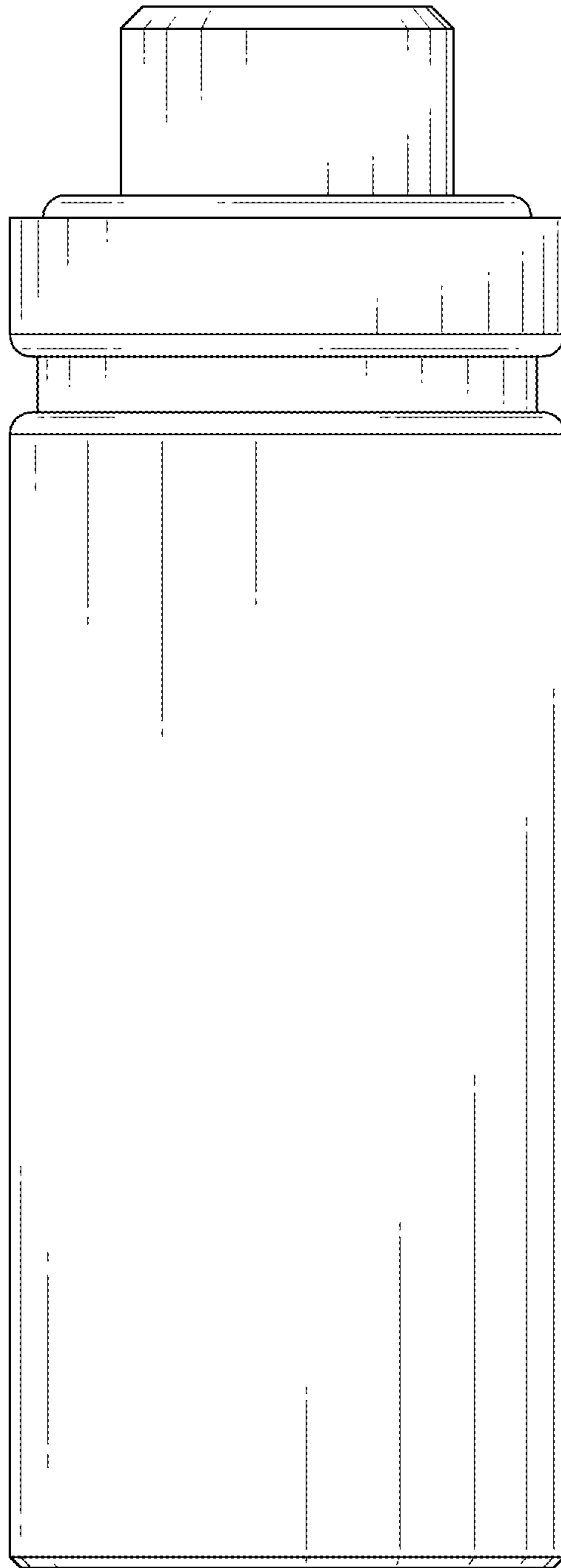


FIG. 3

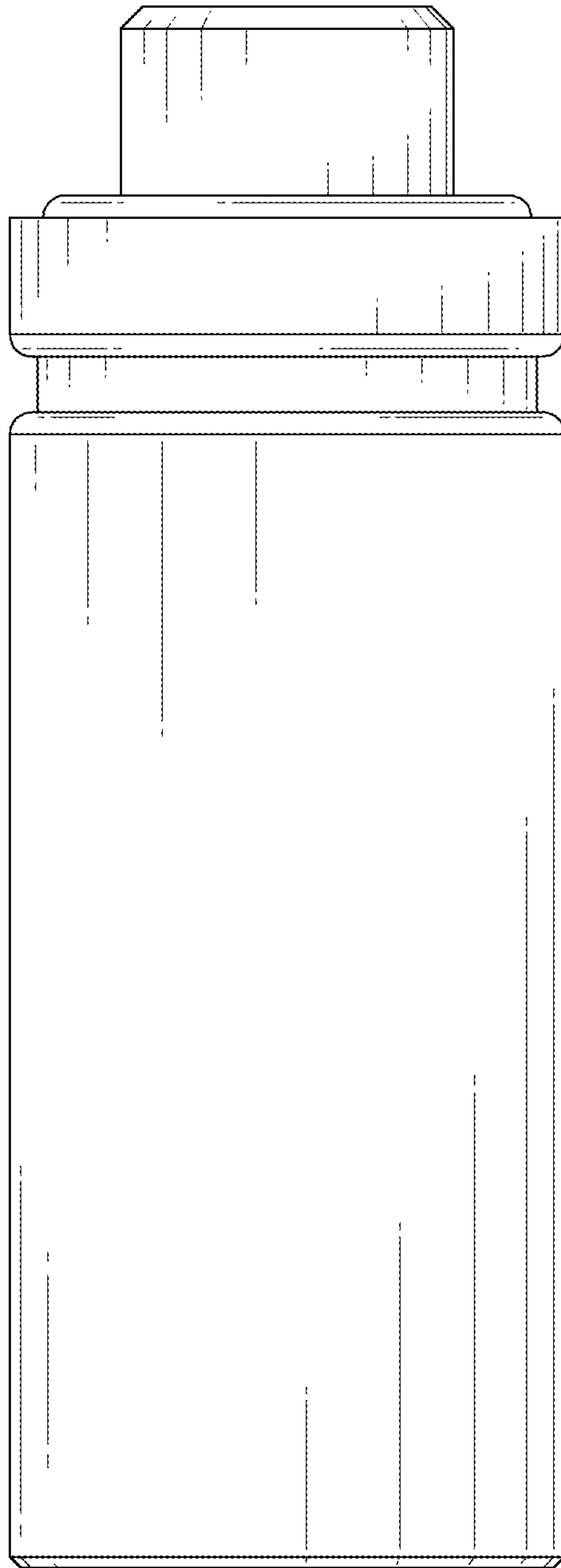


FIG. 4

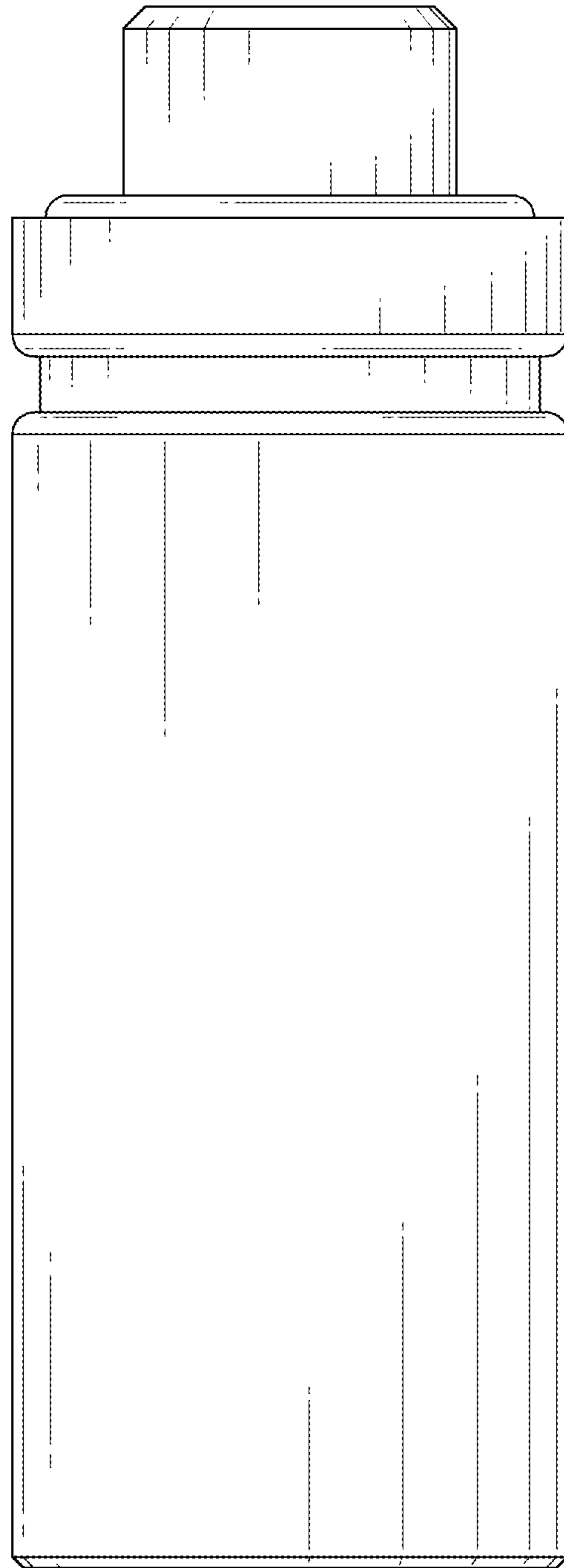


FIG. 5

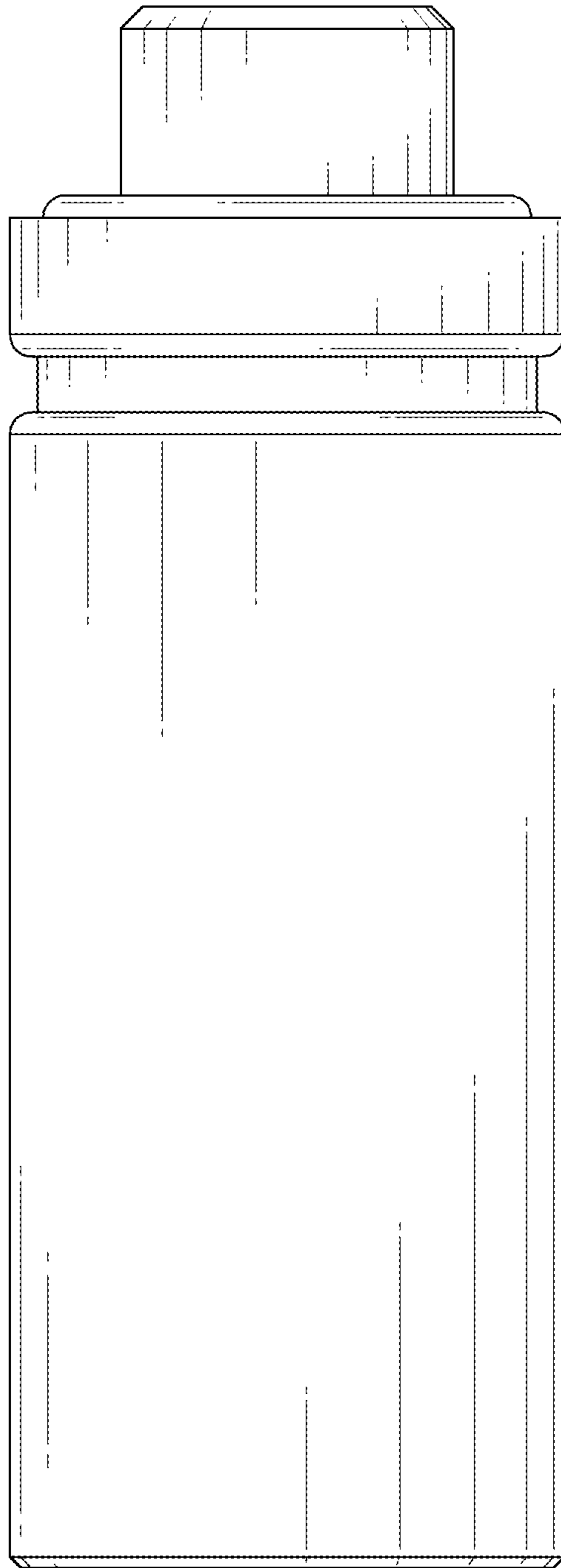


FIG. 6

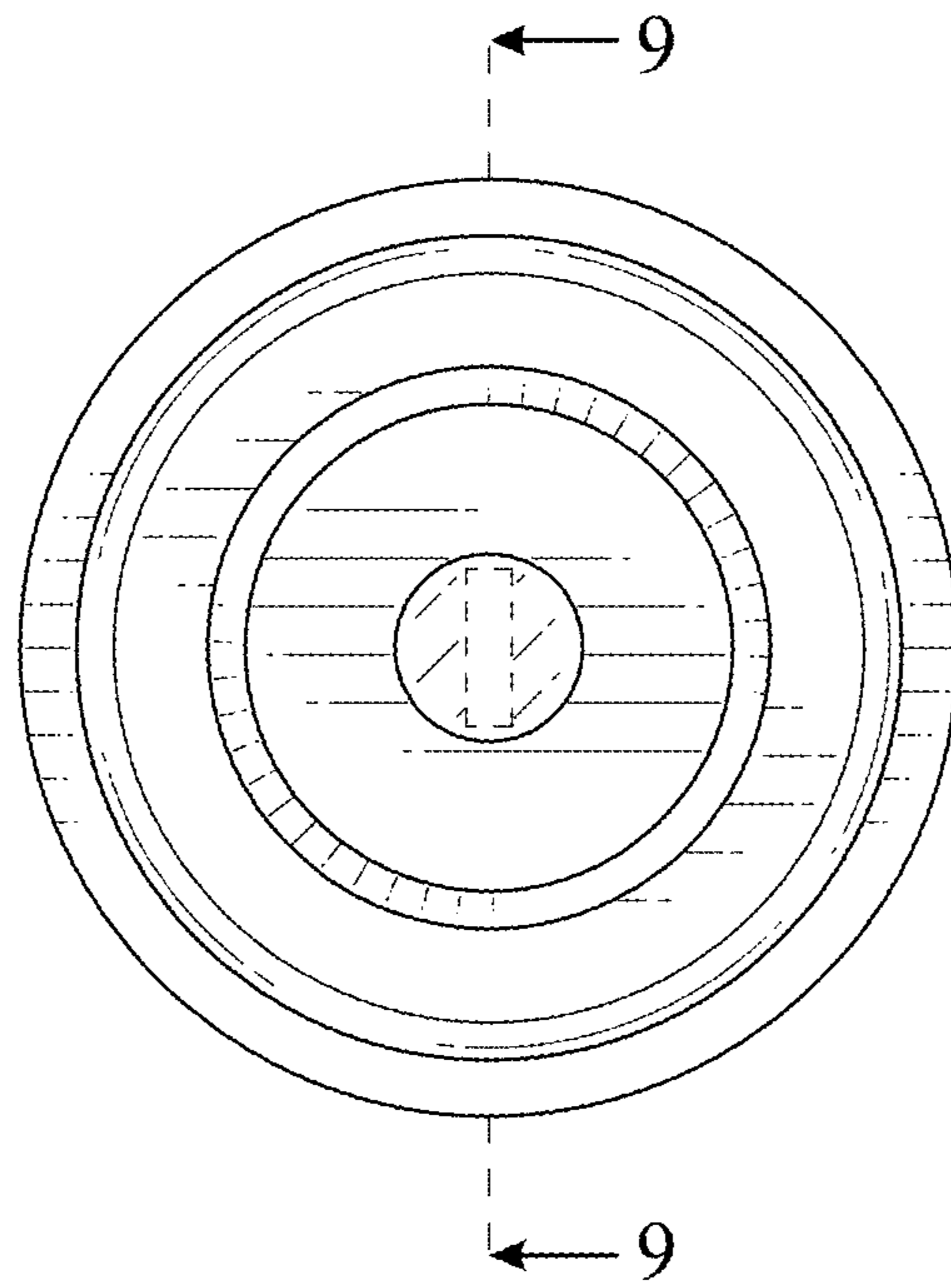


FIG. 7

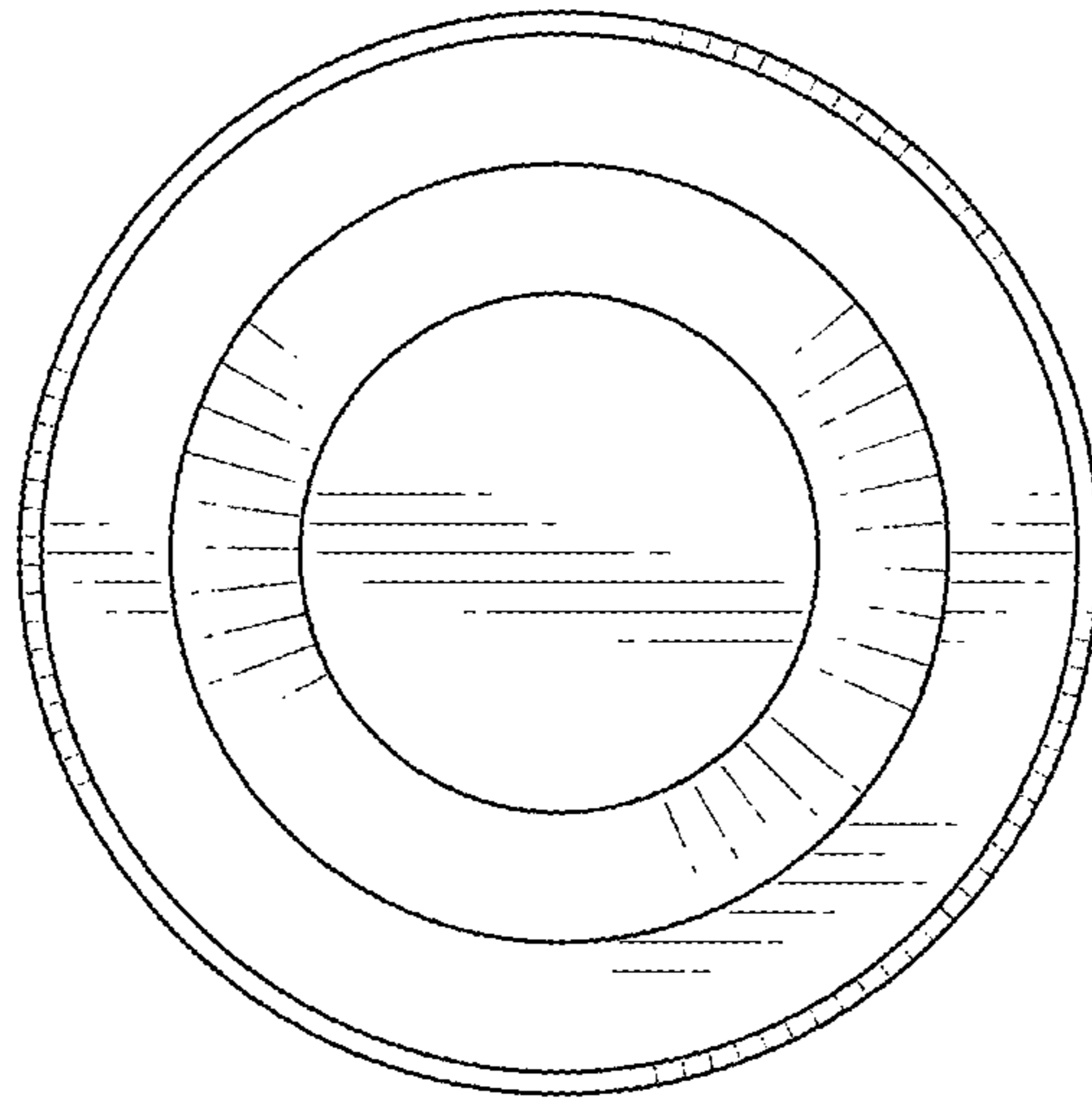


FIG. 8

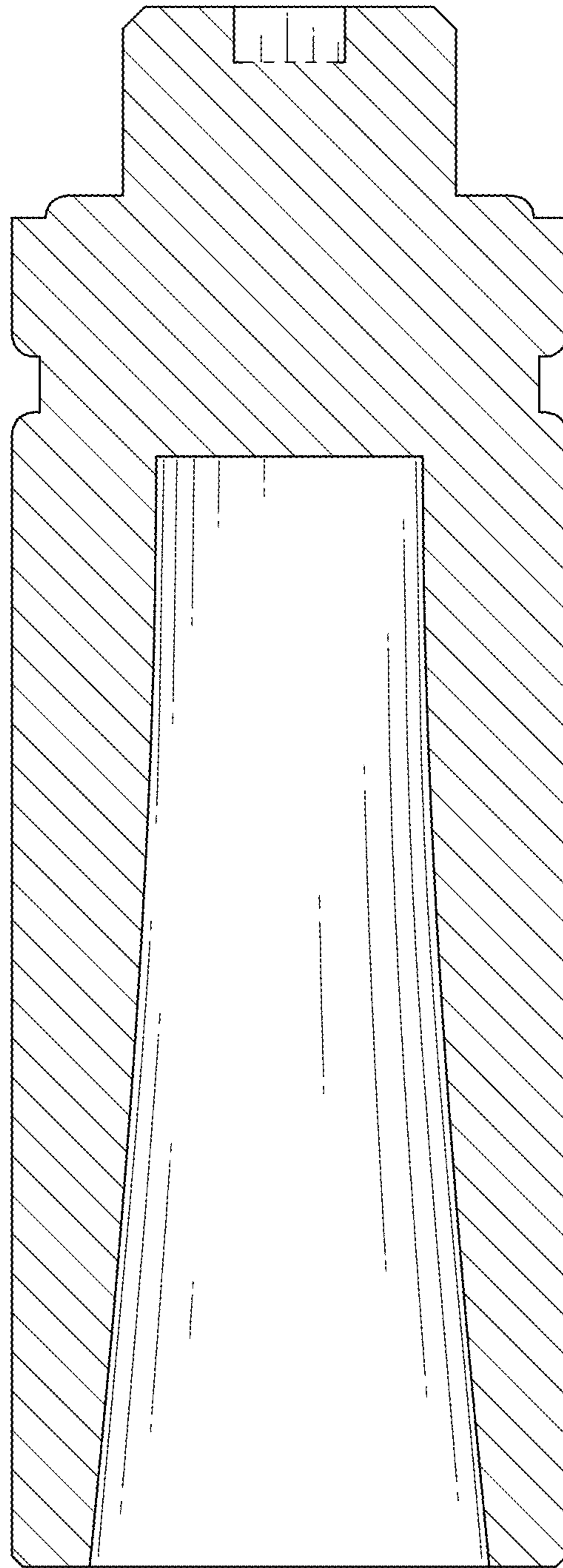


FIG. 9