



US00D950426S

(12) **United States Design Patent**
FitzPatrick et al.

(10) **Patent No.:** **US D950,426 S**
(45) **Date of Patent:** **** May 3, 2022**

- (54) **MOBILITY ASSISTING WALKER**
- (71) Applicant: **Avenue Mobility Ltd**, Greenwich, CT (US)
- (72) Inventors: **Helen Ix FitzPatrick**, Greenwich, CT (US); **Kenneth A Tarlow**, San Rafael, CA (US)
- (**) Term: **15 Years**
- (21) Appl. No.: **29/747,797**
- (22) Filed: **Aug. 25, 2020**

D883,861 S *	5/2020	Mejia	D12/130
D906,901 S *	1/2021	Cerilli	D12/130
2008/0029138 A1 *	2/2008	Foote	A61H 3/00 135/67
2015/0274187 A1	10/2015	Storch	
2018/0242888 A1	8/2018	Schmutzer et al.	

* cited by examiner

Primary Examiner — Charles D Hanson

(57) **CLAIM**

The ornamental design for a mobility assisting walker, as shown and described.

DESCRIPTION

FIG. 1 is a front perspective view of a mobility assisting walker in accordance with the present invention; FIG. 2 is a front elevation view of the mobility assisting walker shown in FIG. 1; FIG. 3 is a left side elevation view of the mobility assisting walker shown in FIG. 1; FIG. 4 is a rear elevation view of the mobility assisting walker shown in FIG. 1; FIG. 5 is a top view of the mobility assisting walker shown in FIG. 1; FIG. 6 is a rear perspective view of the mobility assisting walker shown in FIG. 1 in a folded configuration; FIG. 7 is a right side elevation view of the mobility assisting walker shown in FIG. 1 in the folded configuration; and, FIG. 8 is a front view of the mobility assisting walker shown in FIG. 1 in the folded configuration.

The left side elevation view shown in FIG. 3 is a mirror image of the right side elevation view. The right side elevation view shown in FIG. 7 is a mirror image of the left side elevation view.

Related U.S. Application Data

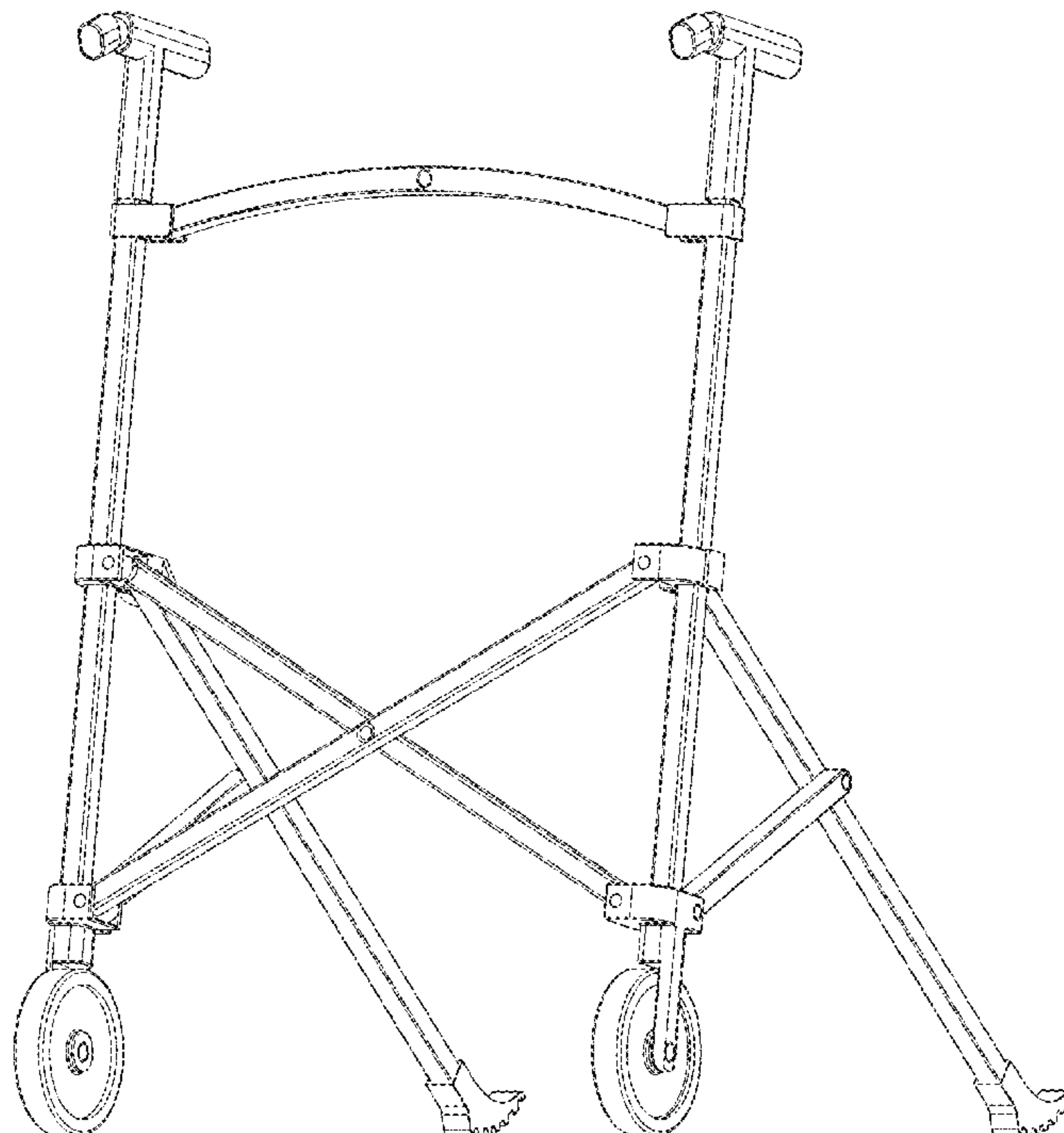
- (63) Continuation-in-part of application No. 16/367,986, filed on Mar. 28, 2019, now Pat. No. 10,786,420.
- (51) **LOC (13) Cl.** **12-12**
- (52) **U.S. Cl.**
USPC **D12/130**
- (58) **Field of Classification Search**
USPC D12/129
CPC B62B 7/00-04; B62B 9/00-28
See application file for complete search history.

References Cited

U.S. PATENT DOCUMENTS

7,306,246 B2	12/2007	Gale	
D696,162 S *	12/2013	Skafdrup	D12/130
8,695,616 B2	4/2014	Huggins	
D798,777 S *	10/2017	Lin	D12/130
D798,778 S *	10/2017	Lin	D12/130
D851,543 S *	6/2019	Janeczek	D12/130
D858,366 S *	9/2019	VanAusdall	D12/130
10,543,144 B2 *	1/2020	Johnson	A61H 3/04

1 Claim, 8 Drawing Sheets



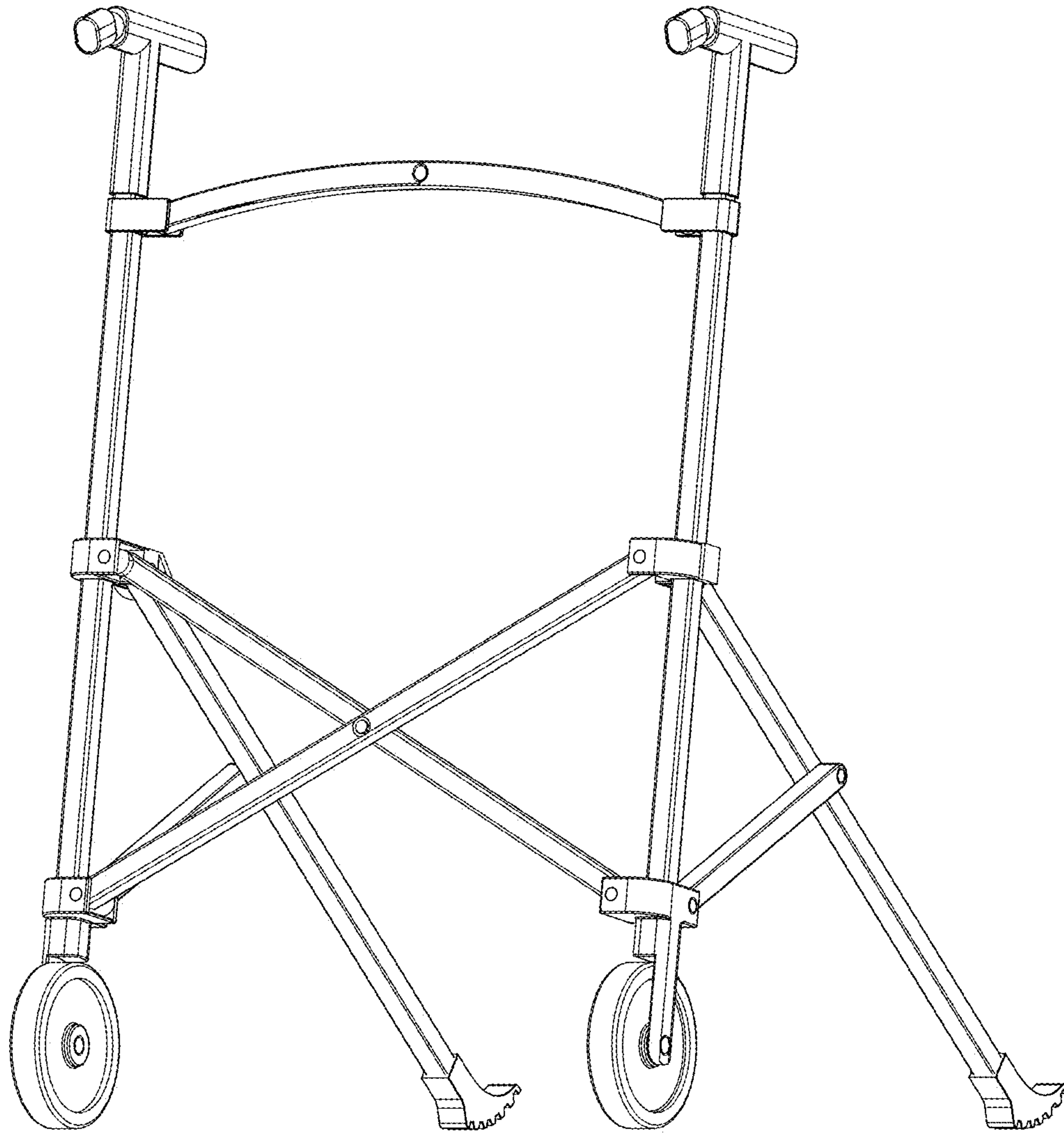


FIG. 1

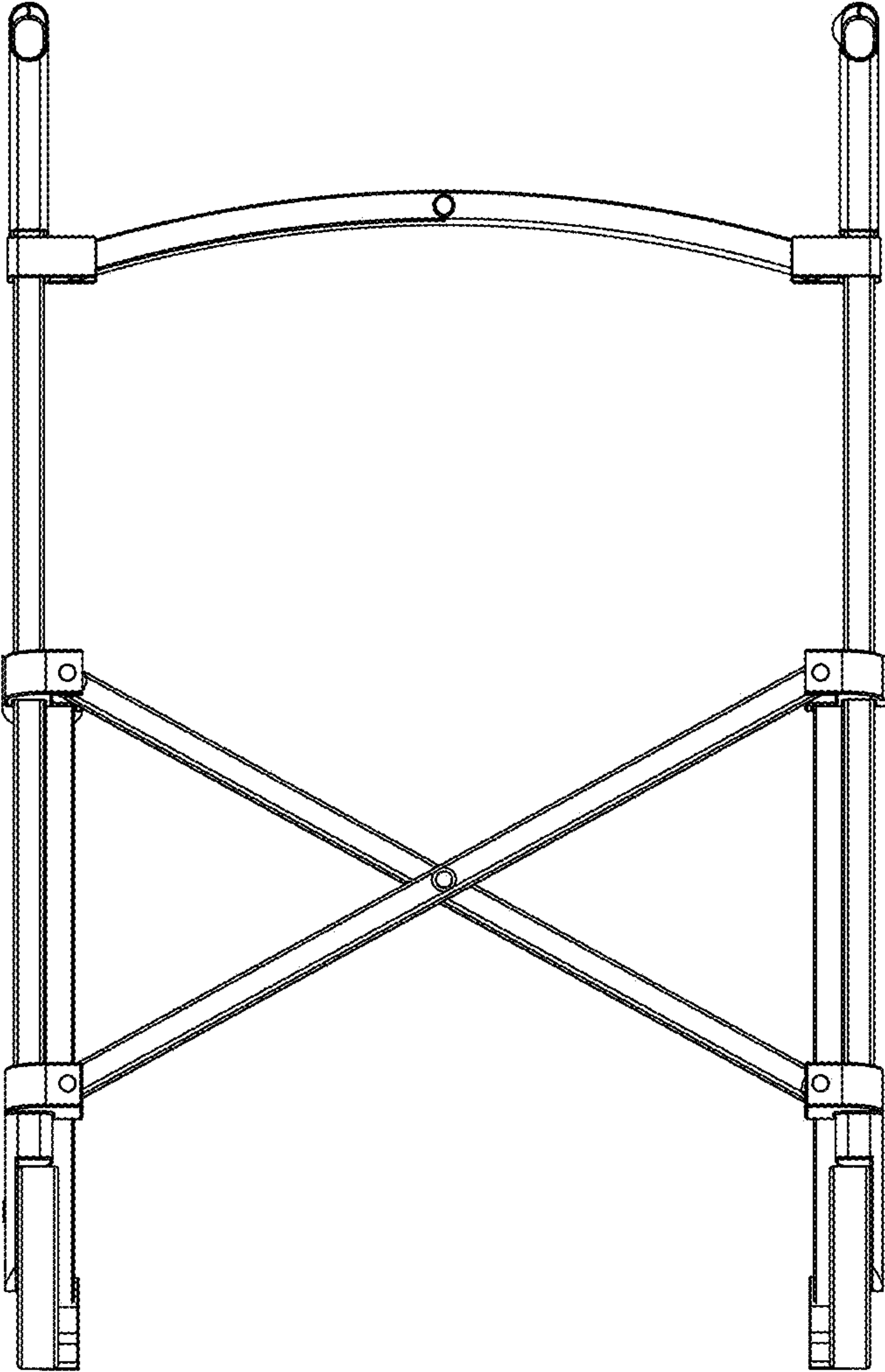


FIG. 2

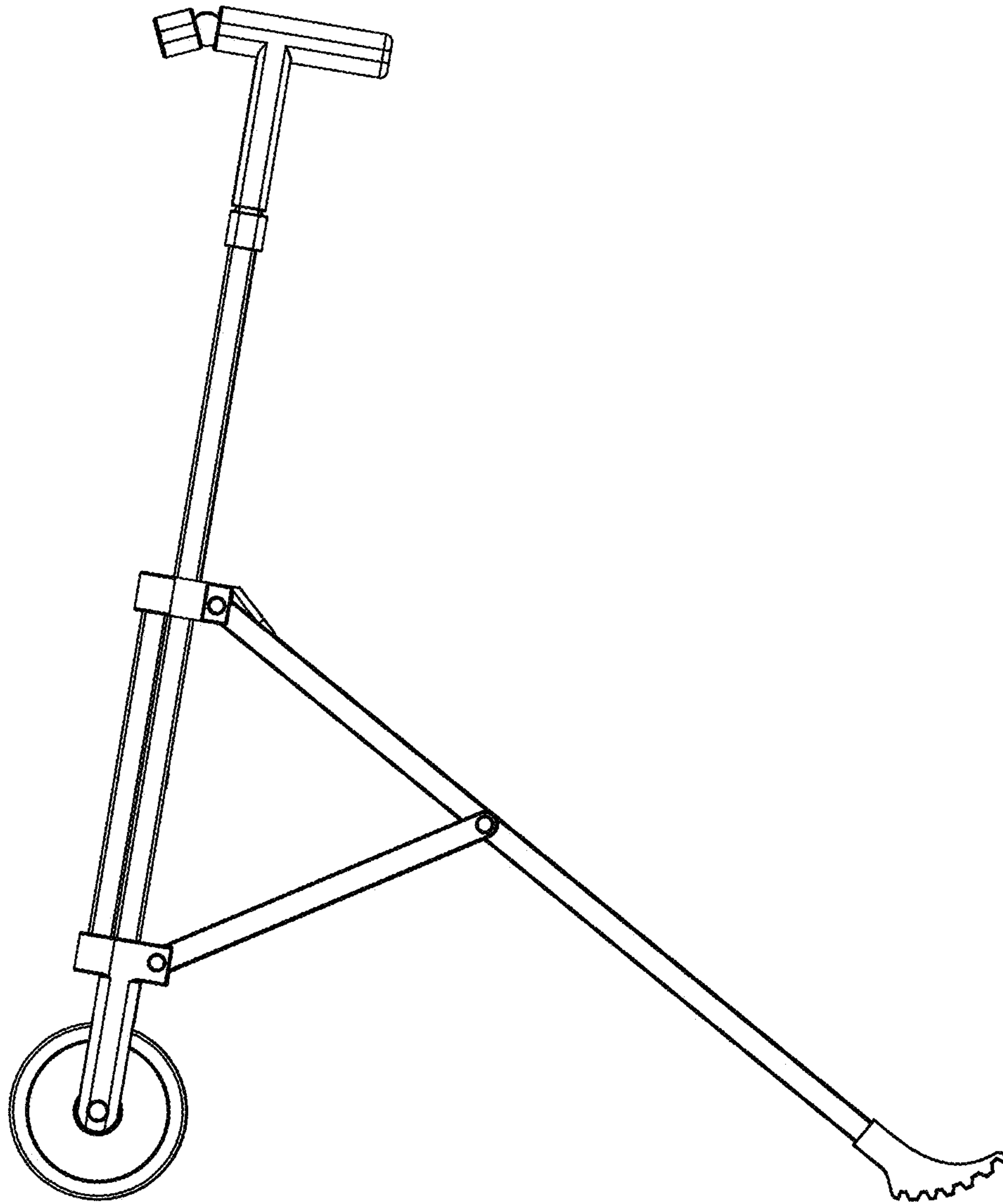


FIG. 3

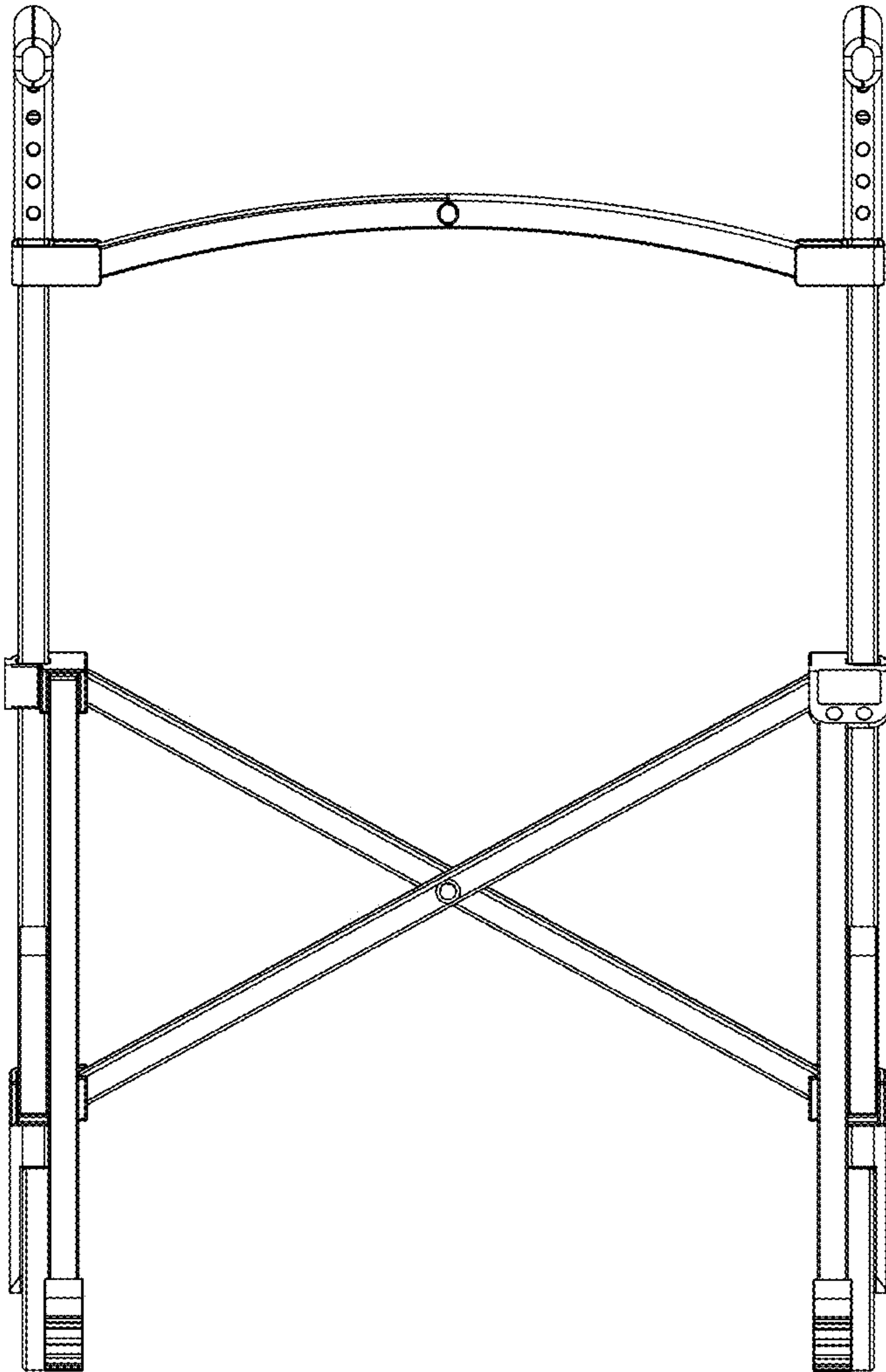


FIG. 4

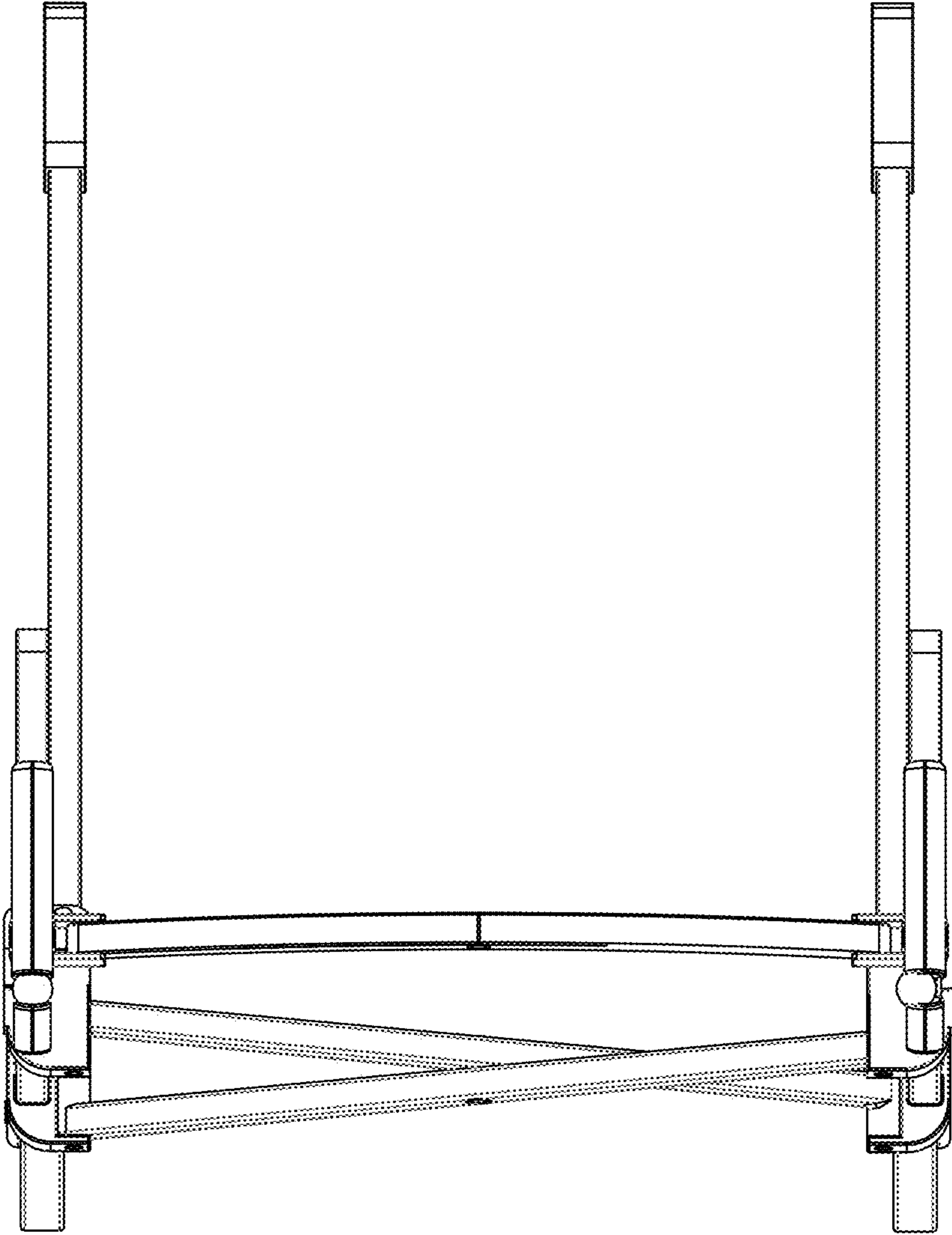


FIG. 5

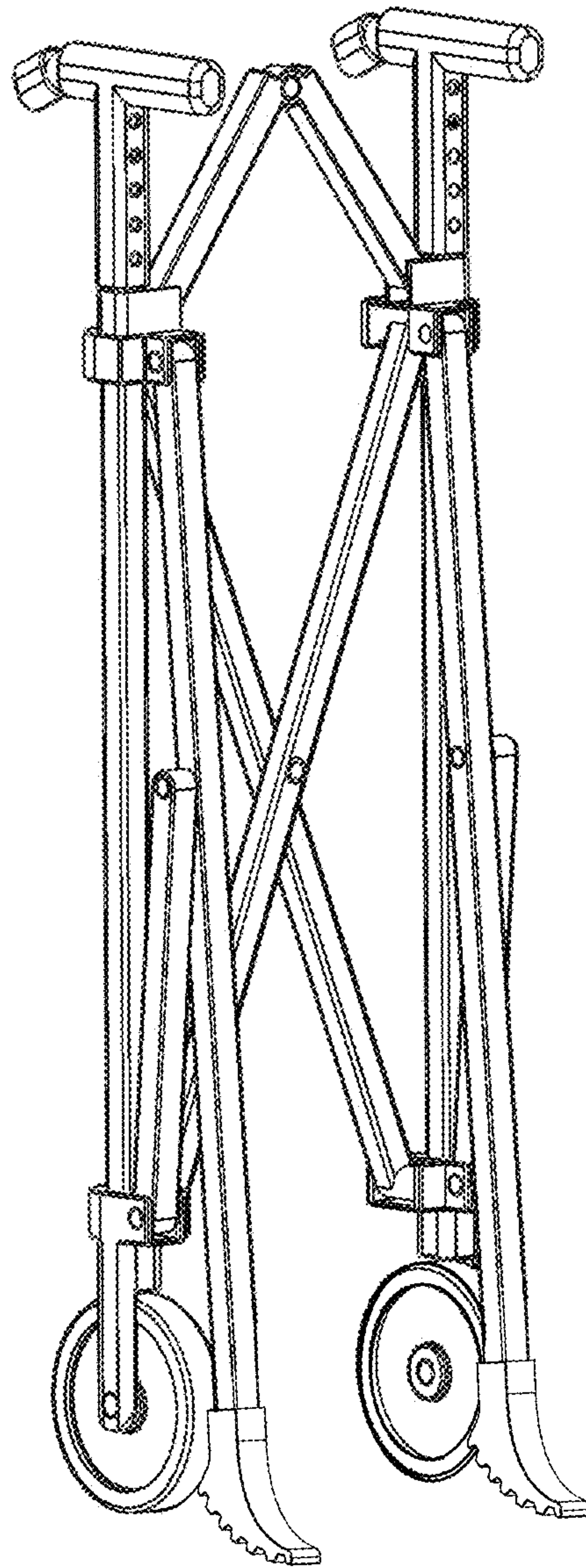


FIG. 6

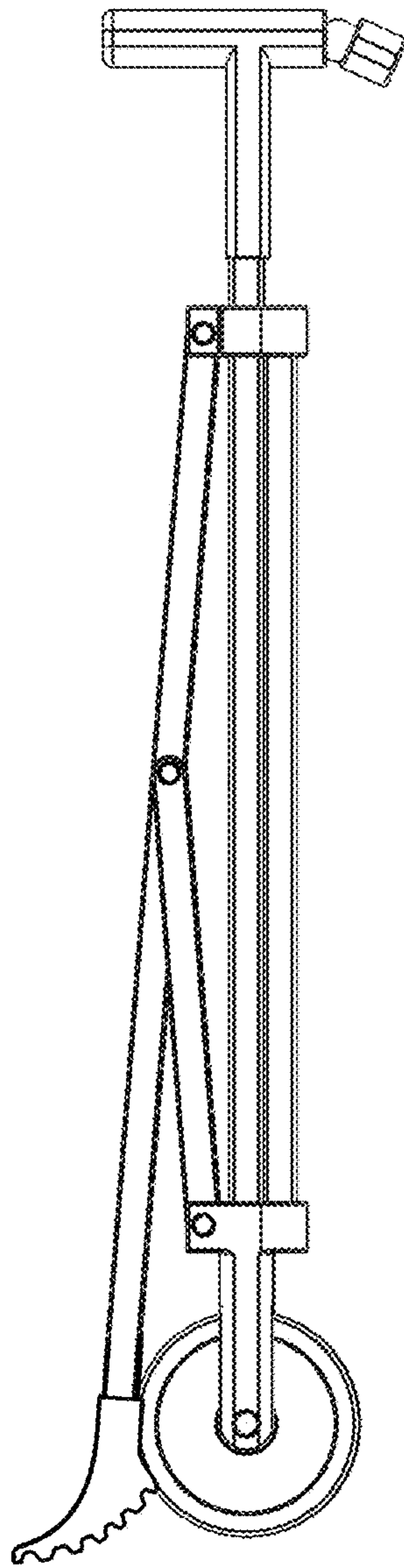


FIG. 7

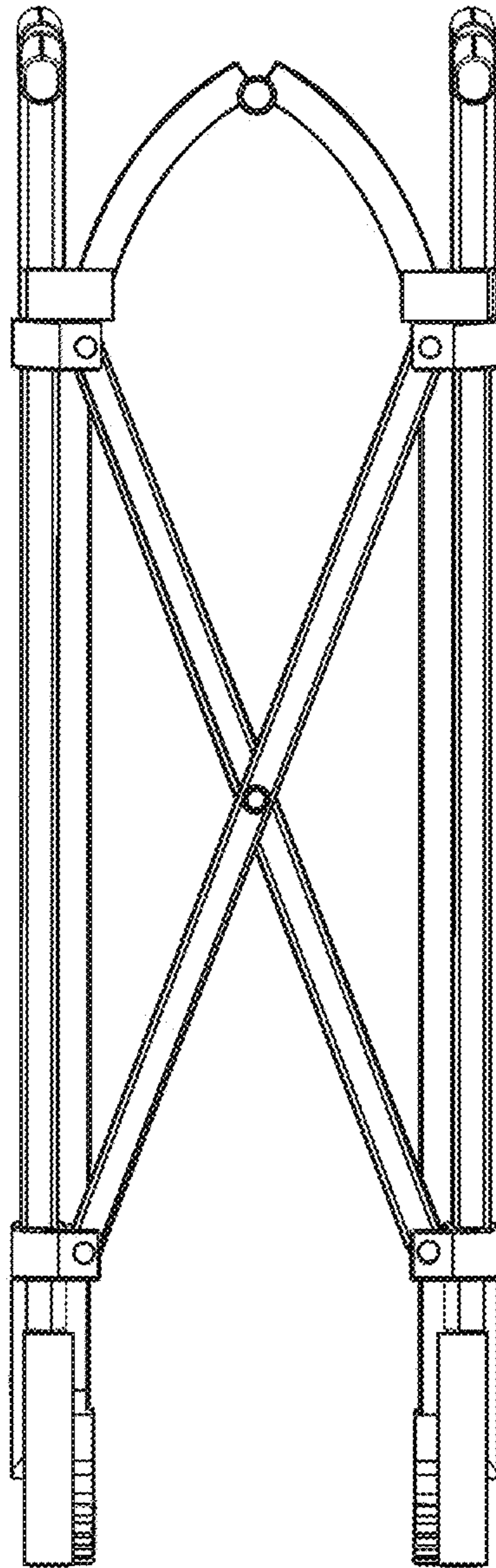


FIG. 8