



US00D950423S

(12) **United States Design Patent** (10) **Patent No.:** **US D950,423 S**
Chen et al. (45) **Date of Patent:** **** May 3, 2022**

(54) **CHILDREN’S ELECTRIC BICYCLE**

OTHER PUBLICATIONS

(71) Applicant: **Zhejiang Moovi Tech Co., Ltd.**,
Zhejiang (CN)

(72) Inventors: **Yuanzhang Chen**, Zhejiang (CN);
Siwei Li, Zhejiang (CN)

(73) Assignee: **Zhejiang Moovi Tech Co., Ltd.**,
Zhejiang (CN)

(**) Term: **15 Years**

(21) Appl. No.: **29/751,245**

(22) Filed: **Sep. 18, 2020**

(51) **LOC (13) Cl.** **12-11**

(52) **U.S. Cl.**
USPC **D12/111**

(58) **Field of Classification Search**
USPC D12/111, 117, 406, 407
CPC . B62K 3/00; B62K 3/005; B62K 9/00; B62K
19/00; B62K 19/02; B62K 19/06; B62K
19/16

See application file for complete search history.

(56) **References Cited**

U.S. PATENT DOCUMENTS

D498,438 S	*	11/2004	Ying	D12/111
D620,401 S	*	7/2010	Haller	D12/111
D621,302 S	*	8/2010	Tanaka	D12/111
D650,724 S	*	12/2011	Chiang	D12/111
D727,214 S	*	4/2015	Yang	D12/111
D727,215 S	*	4/2015	Yang	D12/111
D774,972 S	*	12/2016	Lambri	D12/111
D833,333 S	*	11/2018	Yu	D12/111
D833,916 S	*	11/2018	Yu	D12/111
D843,269 S	*	3/2019	Shi	D12/111
D847,032 S	*	4/2019	Yan	D12/111
D898,625 S	*	10/2020	Lin	D12/111
D900,680 S	*	11/2020	Chen	D12/111
D903,532 S	*	12/2020	Ma	D12/111
D918,778 S	*	5/2021	Shi	D12/111

“No Pedal Slide Electric Kids Balance Bike” CN Moovi., posted date unknown [online], [retrieved on Jul. 27, 2021]. Retrieved from the Internet <URL:https://cnmoovi.en.alibaba.com/?spm=a2706.amp_sc_detail.company> (Year: 2021).*
“Verge D9” Tern Bicycles., posted date Jul. 29, 2020 [online], [retrieved on Jul. 27, 2021]. Retrieved from the Internet <URL:https://www.ternbicycles.com/us/bikes/472/verge-d9> (Year: 2020).*
“SINCH Foldable Ebike” Aventon., posted date Apr. 26, 2021 [online], [retrieved on Jul. 27, 2021]. Retrieved from the Internet <URL:https://www.aventon.com/products/aventon-sinch-foldable-electric-bike?gclid=EAlalQobChMI4YKOIfyD8gIVTuDICH27JwDmEAAAYASAAEgIBsfD_BwE> (Year: 2021).*

* cited by examiner

Primary Examiner — Darlington Ly

Assistant Examiner — Nasim Abdulaziz Ali

(74) *Attorney, Agent, or Firm* — Muncy, Geissler, Olds & Lowe, P.C.

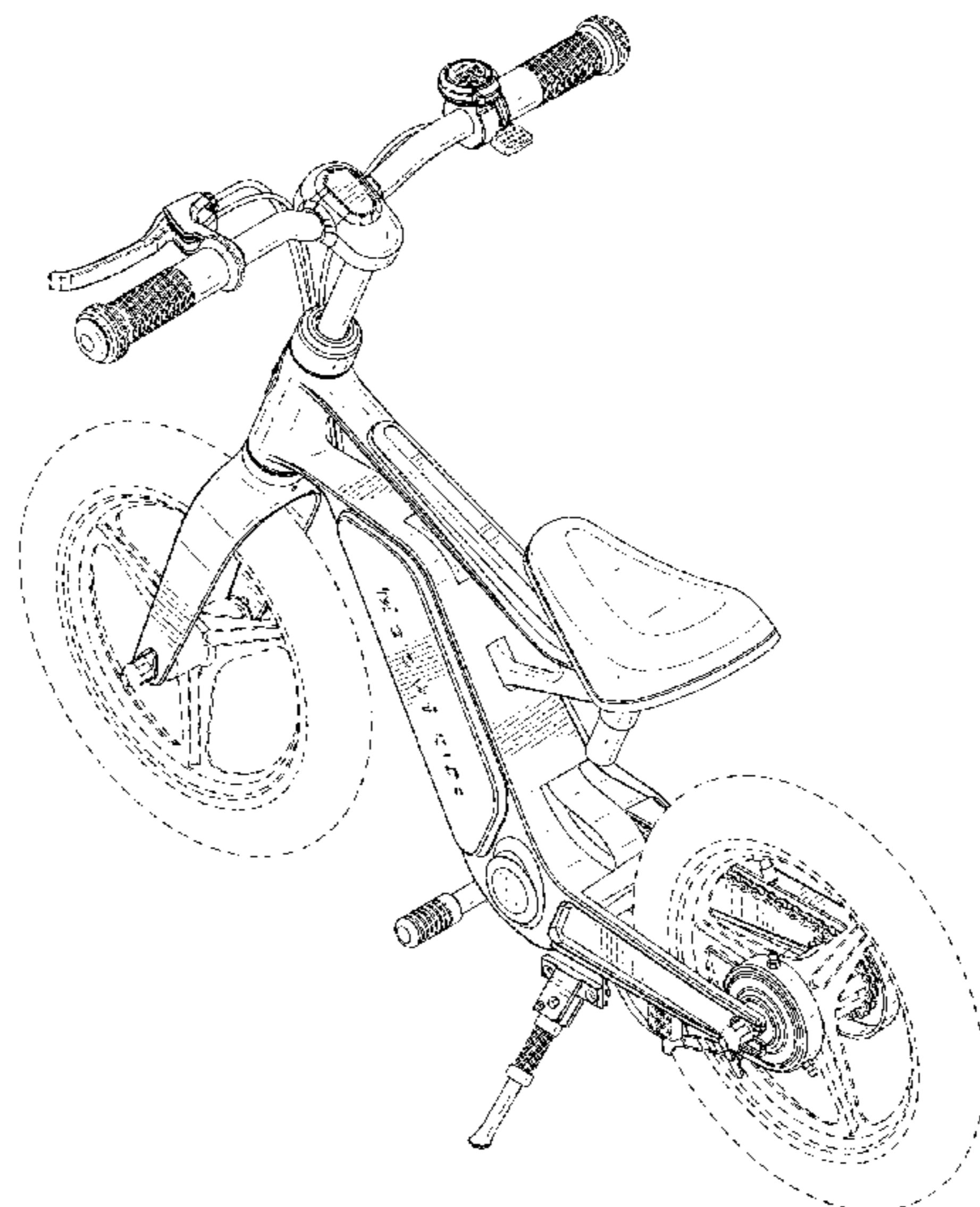
(57) **CLAIM**

The ornamental design for a children’s electric bicycle, as shown and described.

DESCRIPTION

FIG. 1 is a perspective view of a children’s electric bicycle showing our new design;
FIG. 2 is a front elevational view thereof;
FIG. 3 is a rear elevational view thereof;
FIG. 4 is a left side elevational view thereof;
FIG. 5 is a right side elevational view thereof;
FIG. 6 is a top plan view thereof; and,
FIG. 7 is a bottom plan view thereof.
The broken lines illustrate portions of the children’s electric bicycle which form no part of the claimed design.

1 Claim, 7 Drawing Sheets



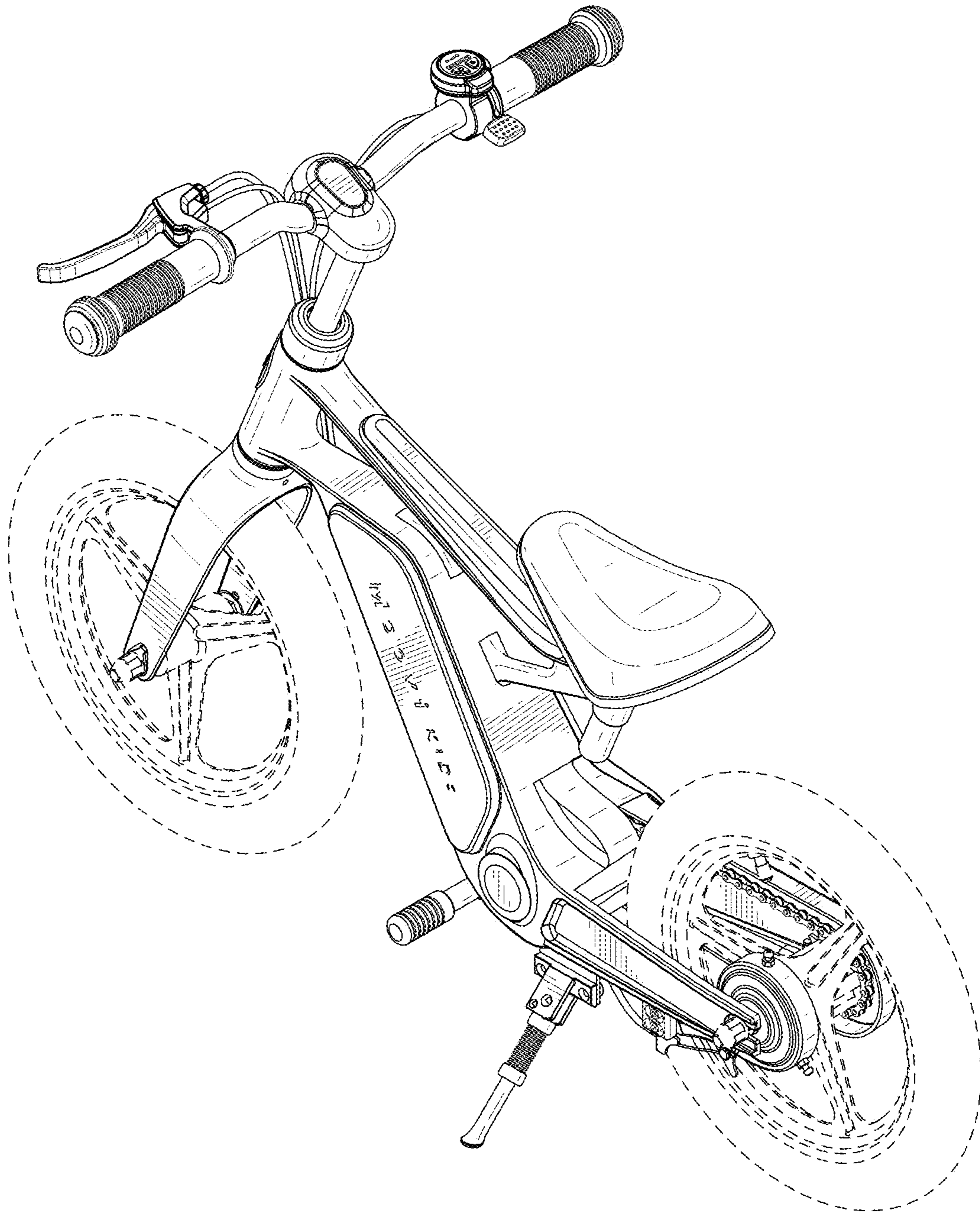


FIG. 1

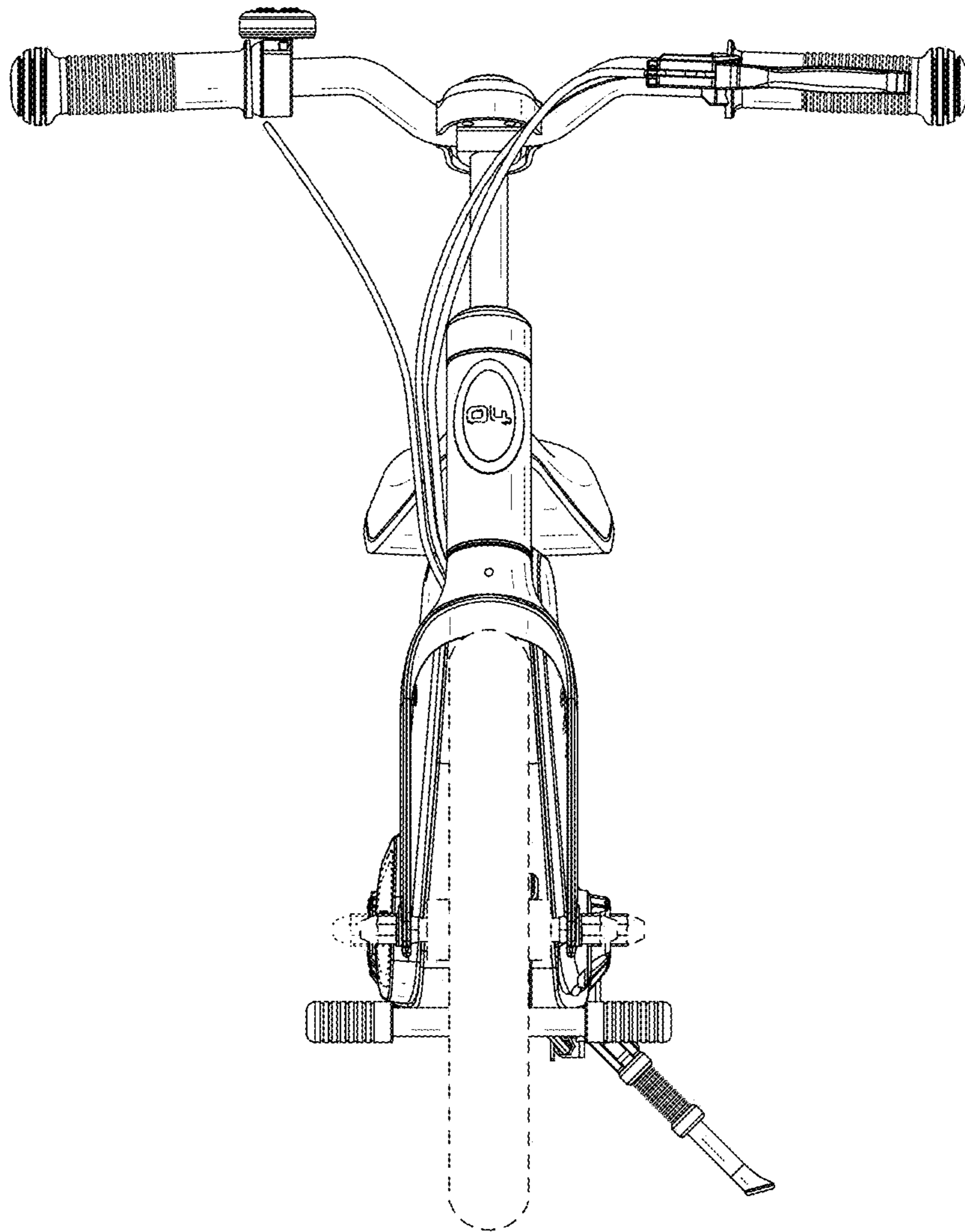


FIG.2

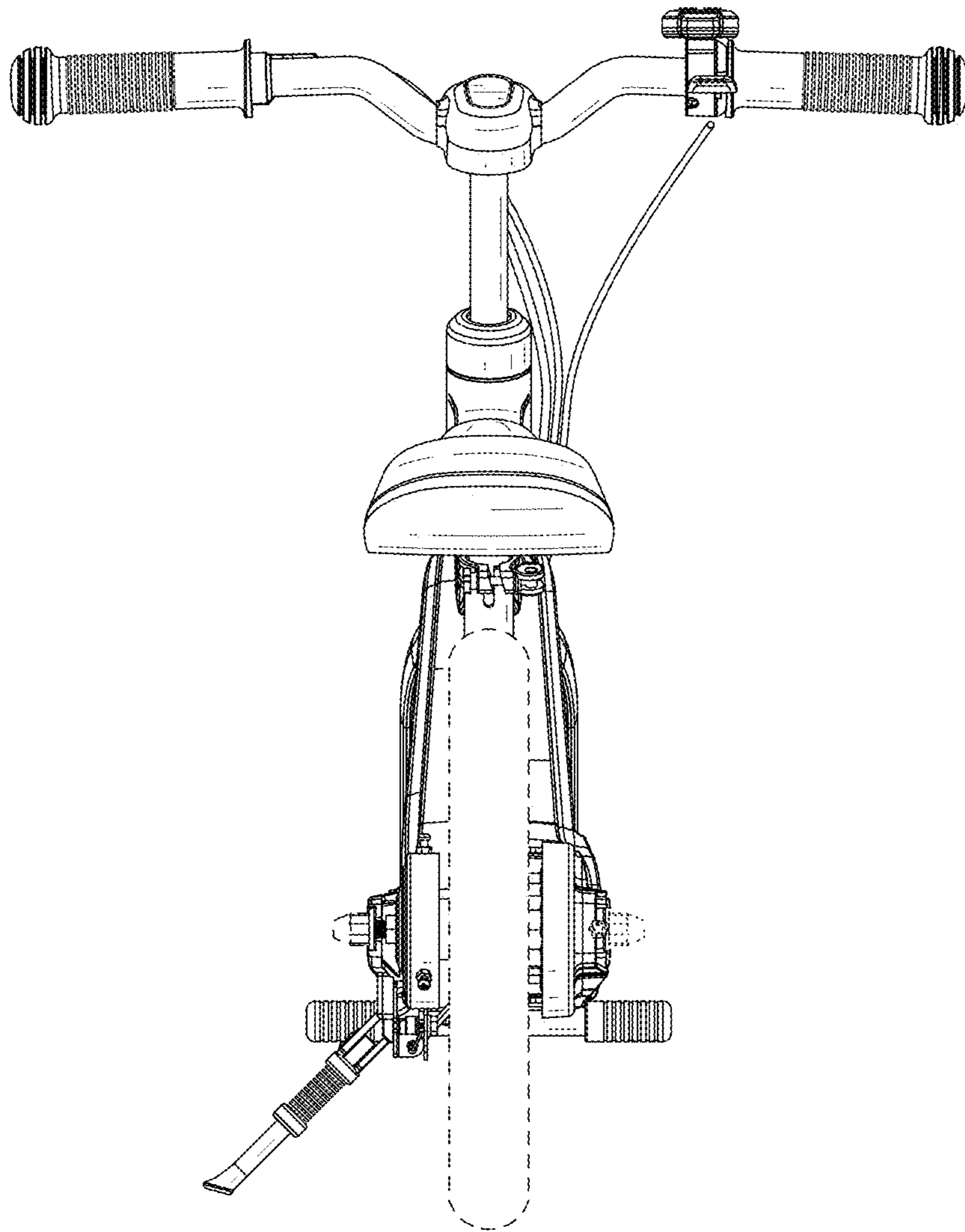


FIG.3

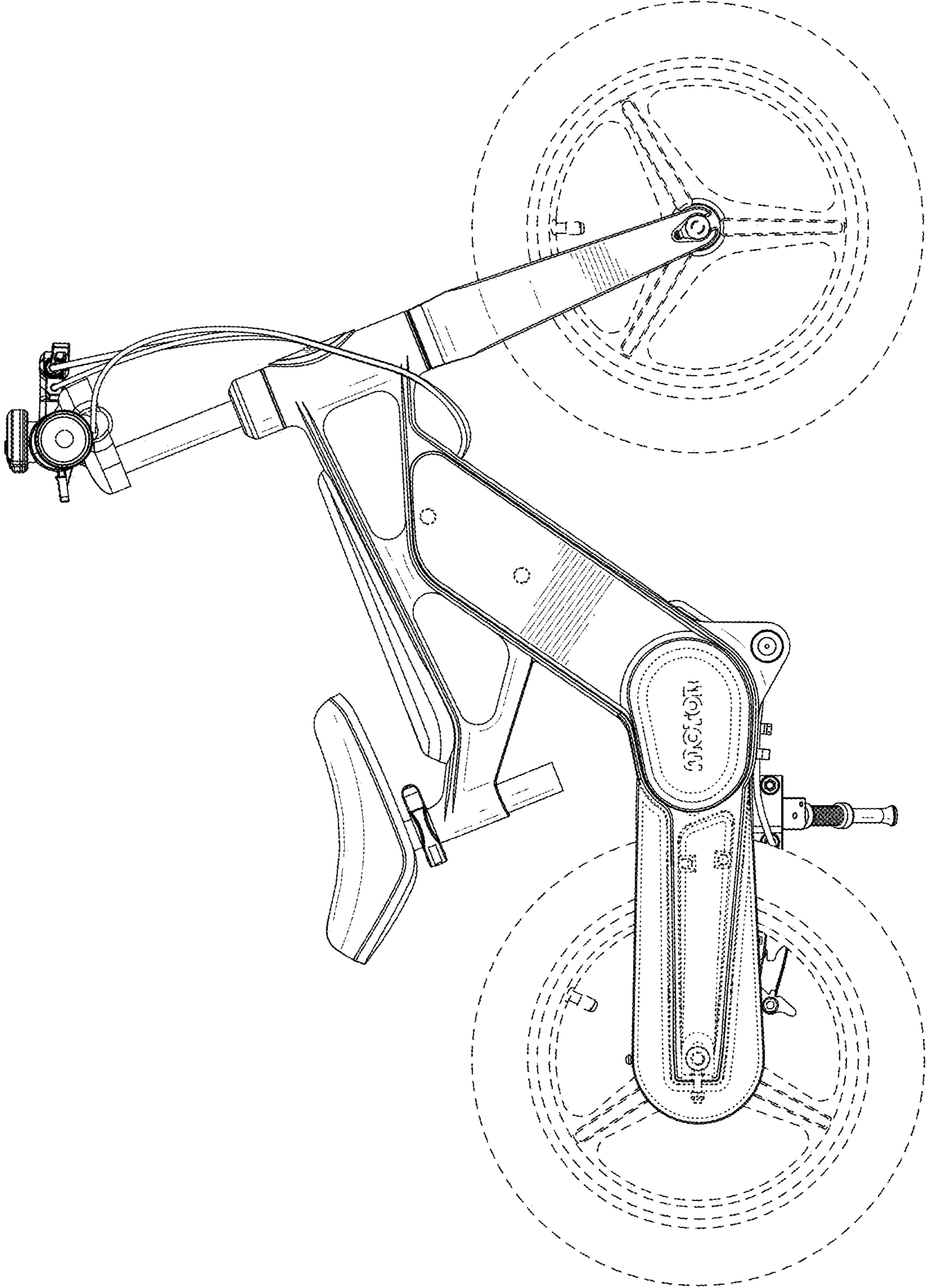


FIG.4

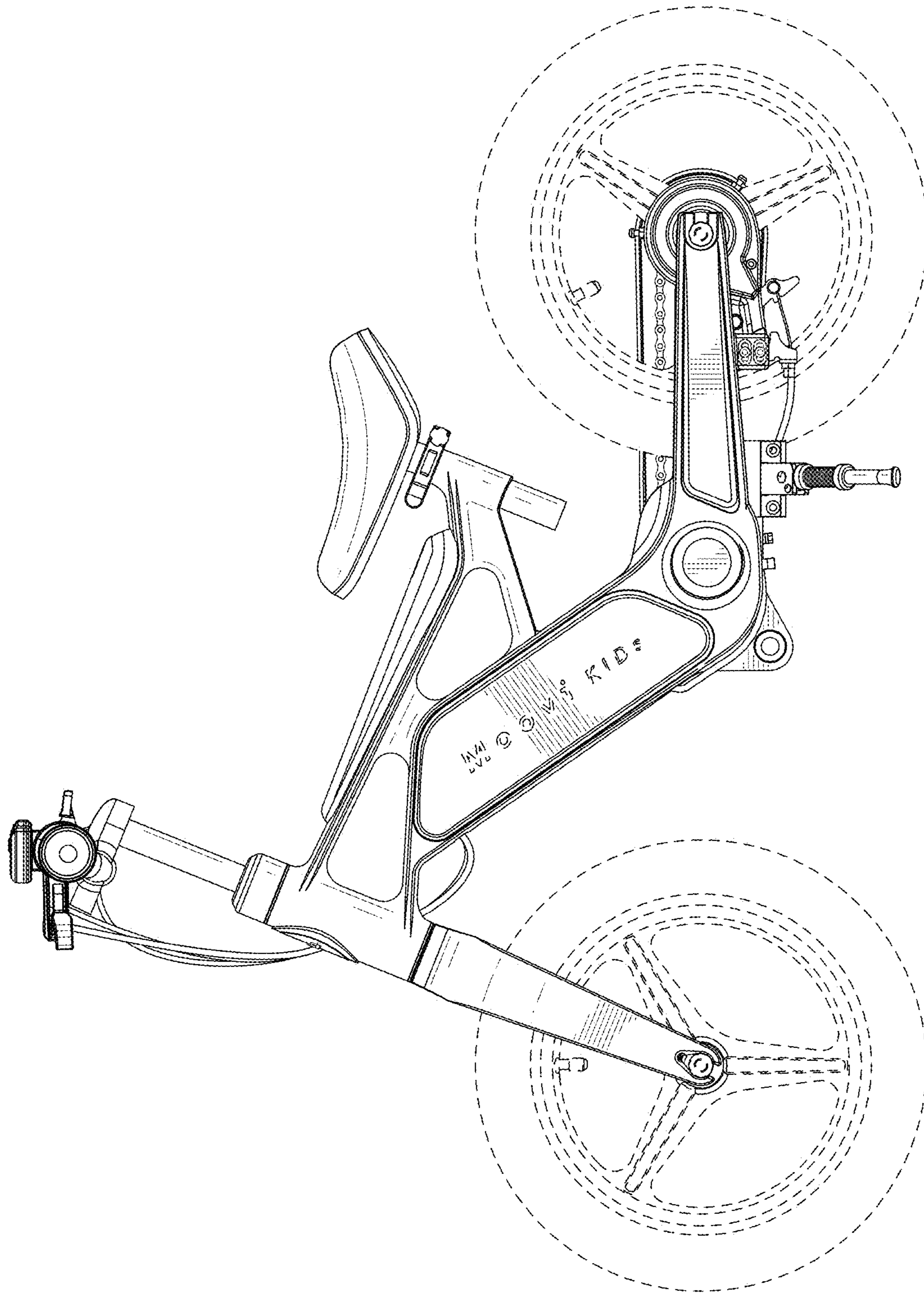


FIG. 5

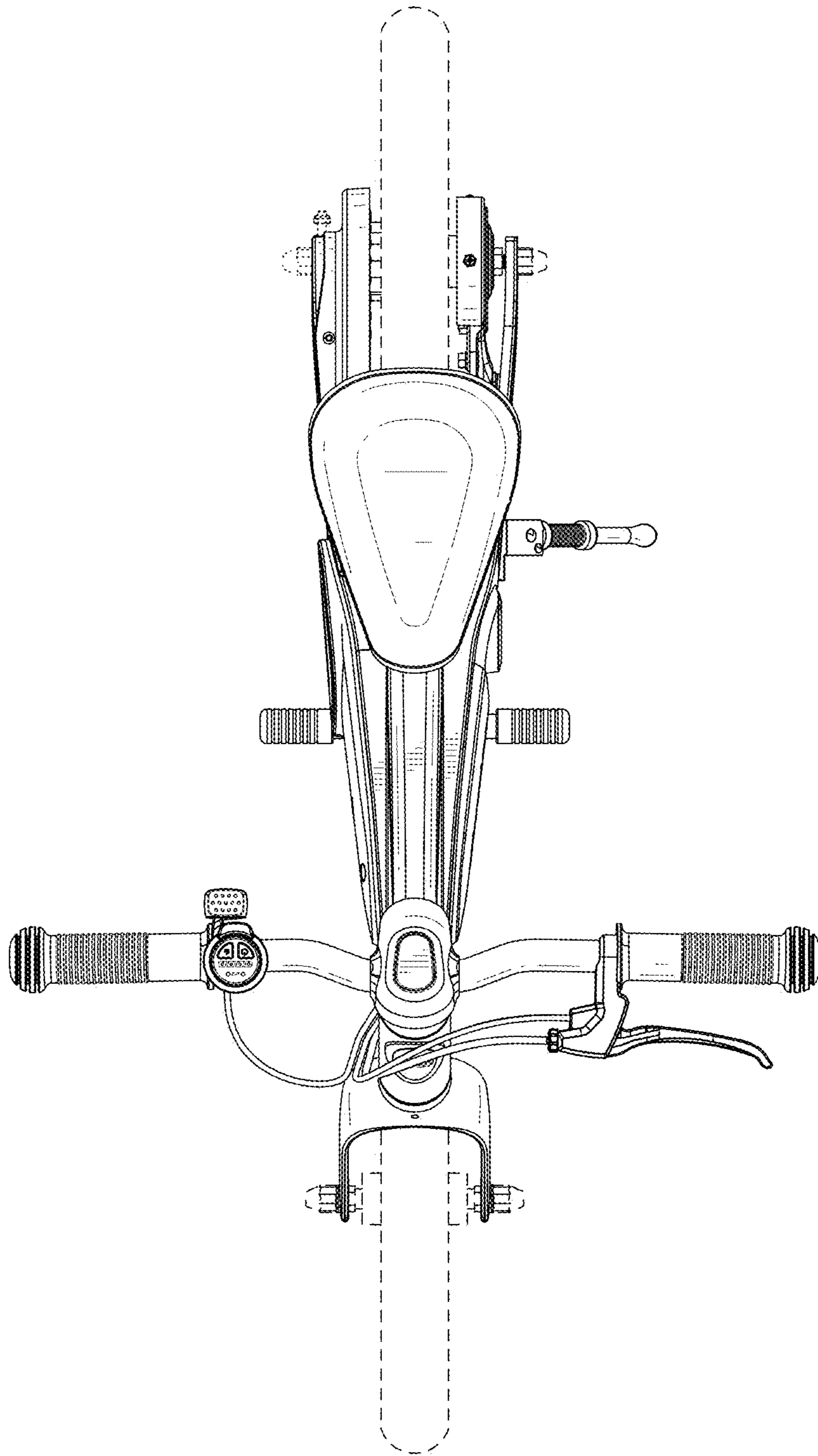


FIG.6

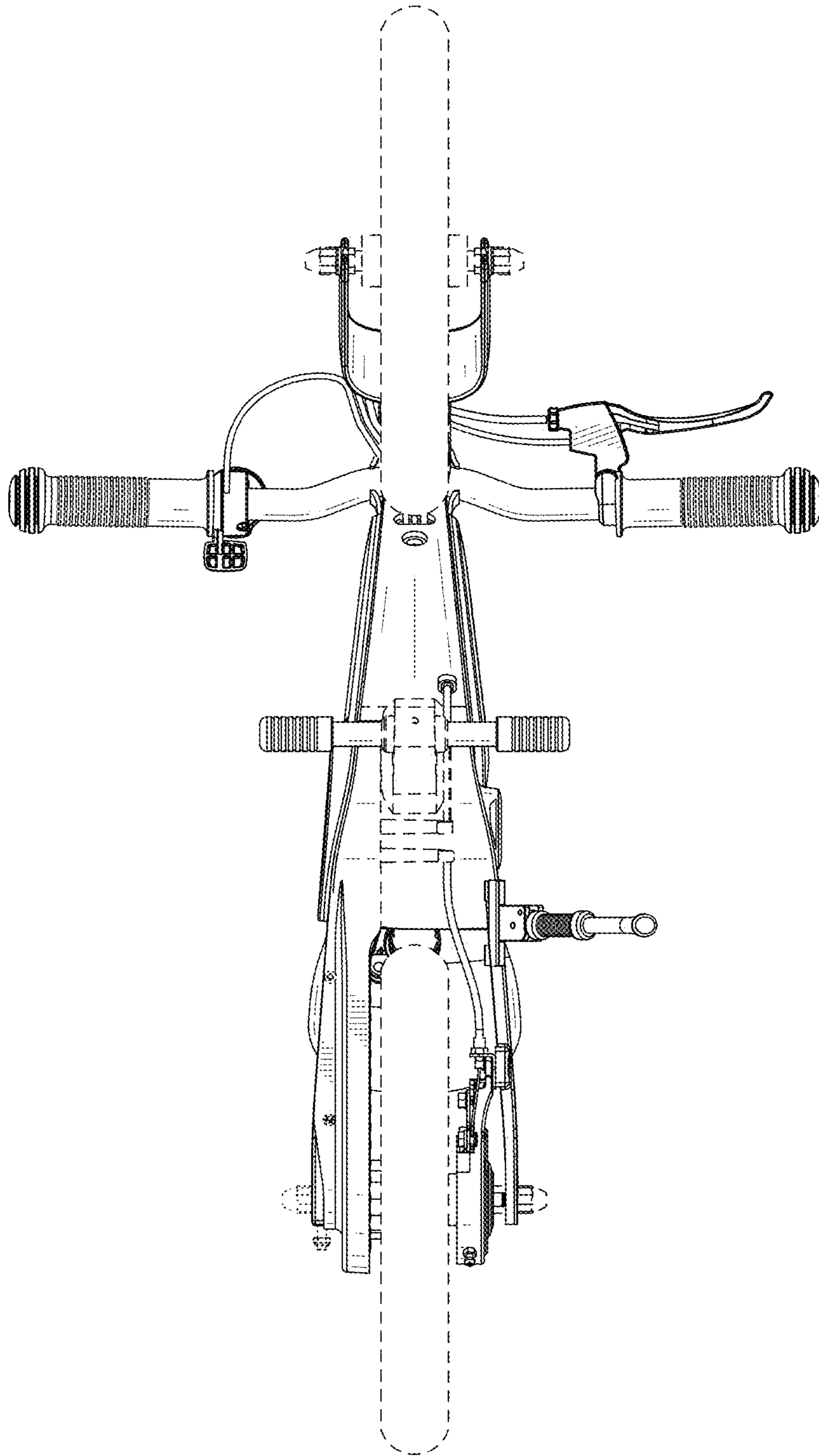


FIG.7