



US00D950422S

(12) **United States Design Patent** (10) **Patent No.:** **US D950,422 S**
Sondors (45) **Date of Patent:** **** May 3, 2022**

(54) **ELECTRIC MOTORCYCLE**
(71) Applicant: **Storm Sondors**, Malibu, CA (US)
(72) Inventor: **Storm Sondors**, Malibu, CA (US)
(73) Assignee: **Sondors, Inc.**, Malibu, CA (US)
(**) Term: **15 Years**
(21) Appl. No.: **29/766,334**
(22) Filed: **Jan. 14, 2021**
(51) **LOC (13) Cl.** **12-11**
(52) **U.S. Cl.**
USPC **D12/110**
(58) **Field of Classification Search**
USPC D12/110, 111, 117; D21/432, 538
CPC ... B62J 17/00; B62J 17/02; B62J 17/04; B62J
23/00; B62K 11/00; B62K 11/02; B62K
11/04
See application file for complete search history.

D936,527 S * 11/2021 Okonsky D12/111
D937,134 S * 11/2021 Lu 12/111
D940,008 S * 1/2022 Lou D12/110
2021/0301772 A1* 9/2021 Yagi B62K 11/04
2021/0354774 A1* 11/2021 Kugele B60L 50/66

OTHER PUBLICATIONS

“Sondors Metacycle electric motorcycle” Sondors., posted date Jan. 14, 2021 [online], [retrieved on Jan. 13, 2021]. Retrieved from the Internet <URL:https://www.slashgear.com/this-sondors-metacycle-electric-motorcycle-is-weirdly-affordable-and-looks-epic-14655265/> (Year: 2021).*

(Continued)

Primary Examiner — Darlington Ly
Assistant Examiner — Nasim Abdulaziz Ali
(74) *Attorney, Agent, or Firm* — Lewis Kohn & Walker LLP; Kent M. Walker; Kari Moyer-Henry

(57) **CLAIM**

The ornamental design for an electric motorcycle, as shown and described.

(56) **References Cited**

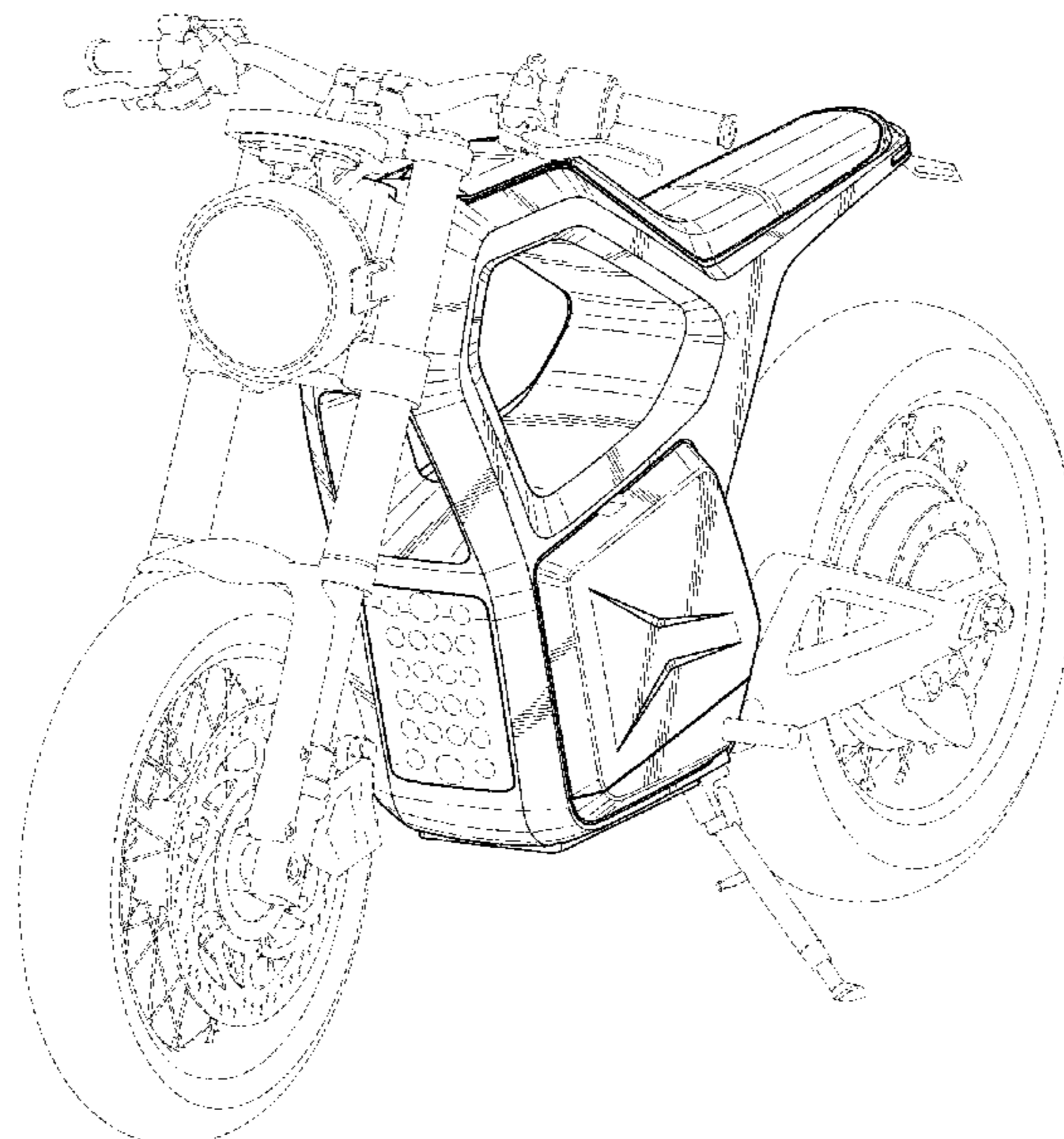
U.S. PATENT DOCUMENTS

D560,561 S *	1/2008	Garcia	D12/110
D653,590 S *	2/2012	Patterson	D12/110
D685,683 S *	7/2013	Shaw	D12/111
D698,702 S *	2/2014	Kubaneck	D12/110
D741,221 S *	10/2015	Haller	D12/111
D807,234 S *	1/2018	Chan	D12/111
D808,866 S *	1/2018	Zhukov	D12/110
D810,629 S *	2/2018	Ytterborn	D12/110
D833,333 S *	11/2018	Yu	D12/111
D836,038 S *	12/2018	Huang	D12/111
D837,695 S *	1/2019	Xiao	D12/111
D850,982 S *	6/2019	Zhu	D12/111
D885,983 S *	6/2020	Ytterborn	D12/110
D887,903 S *	6/2020	Sondors	D12/111
D914,547 S *	3/2021	Mayer	D12/110
D920,848 S *	6/2021	Kuehne	D12/110
D931,760 S *	9/2021	Su	D12/111

DESCRIPTION

FIG. 1 is a left side perspective view of the electric motorcycle embodying my new design;
FIG. 2 is a left side elevation view thereof;
FIG. 3 is a right side elevation view thereof;
FIG. 4 is a front elevation view thereof
FIG. 5 is a rear elevation view thereof;
FIG. 6 is a top plan view thereof;
FIG. 7 is a bottom plan view thereof; and,
FIG. 8 is a left side perspective view thereof as installed on an exemplary motorcycle.
The broken line in the drawings illustrate portions of the electric motorcycle that form no part of the claimed design.

1 Claim, 8 Drawing Sheets



(56)

References Cited

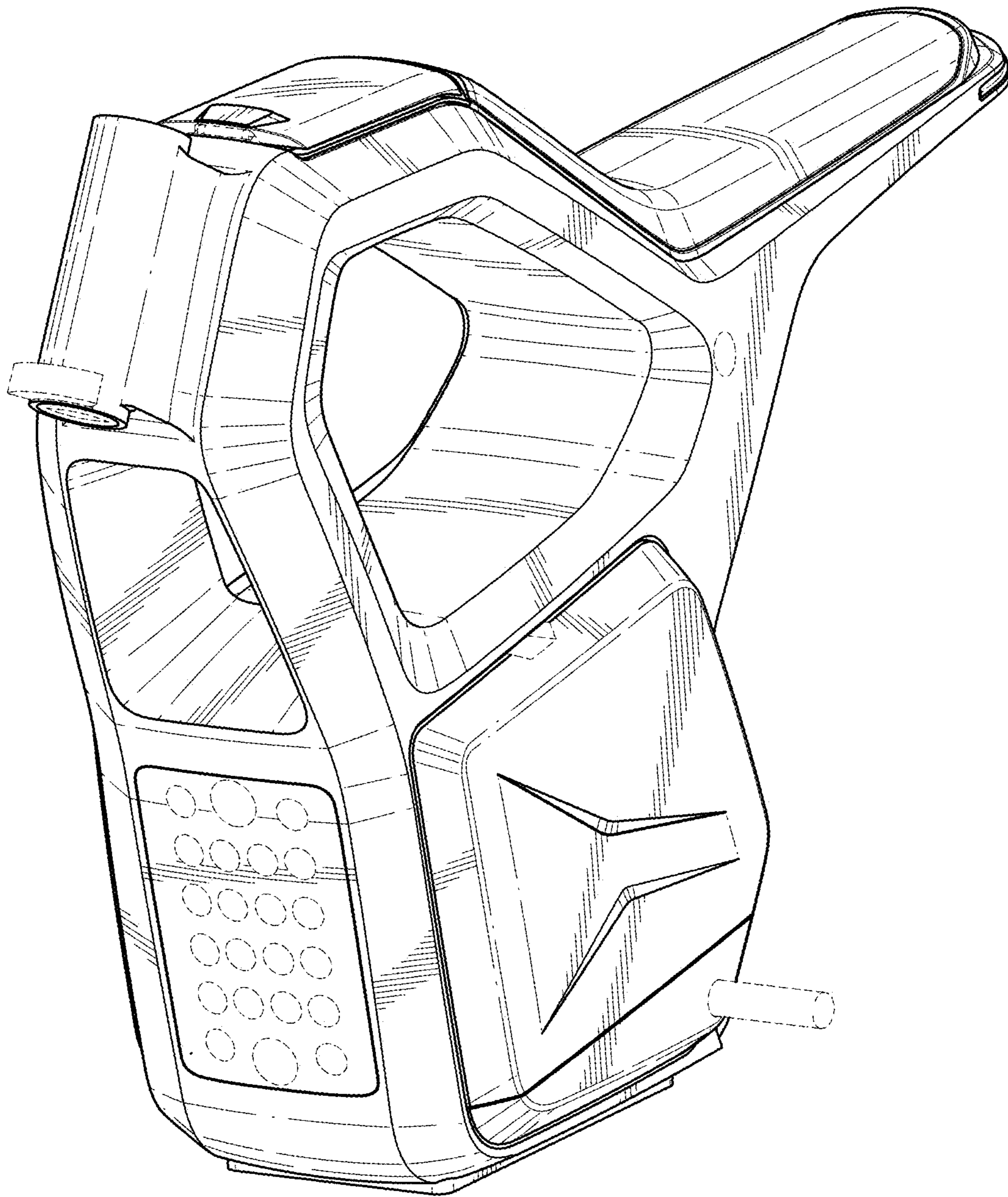
OTHER PUBLICATIONS

“Harley-Davidson Aims to Appeal Younger Generations” Harley-Davidson., posted date Oct. 5, 2020 [online], [retrieved on Jan. 13, 2021]. Retrieved from the Internet <URL:<https://www.autoevolution.com/news/electric-harley-davidson-revival-concept-aims-to-appeal-to-younger-generations-149659.html#>> (Year: 2020).*

“Harley-Davidson E-Bike With Swappable Batteries” Harley-Davidson., posted date Jan. 9, 2021 [online], [retrieved on Jan. 13, 2021]. Retrieved from the Internet <URL:<https://www.beautifullife.info/automotive-design/harley-davidson-e-bike-with-swappable-batteries/>> (Year: 2021).*

* cited by examiner

FIG. 1



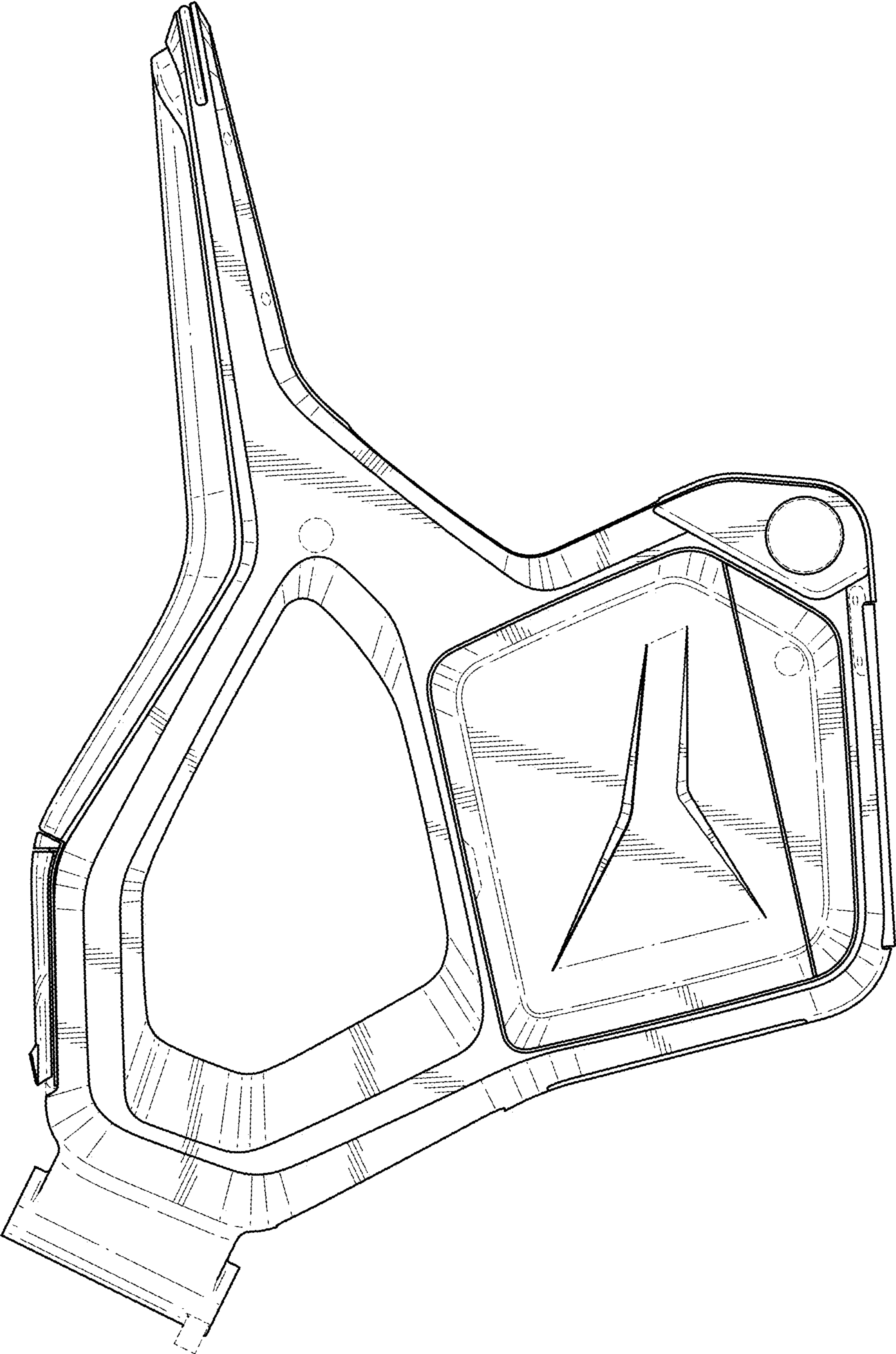


FIG. 2

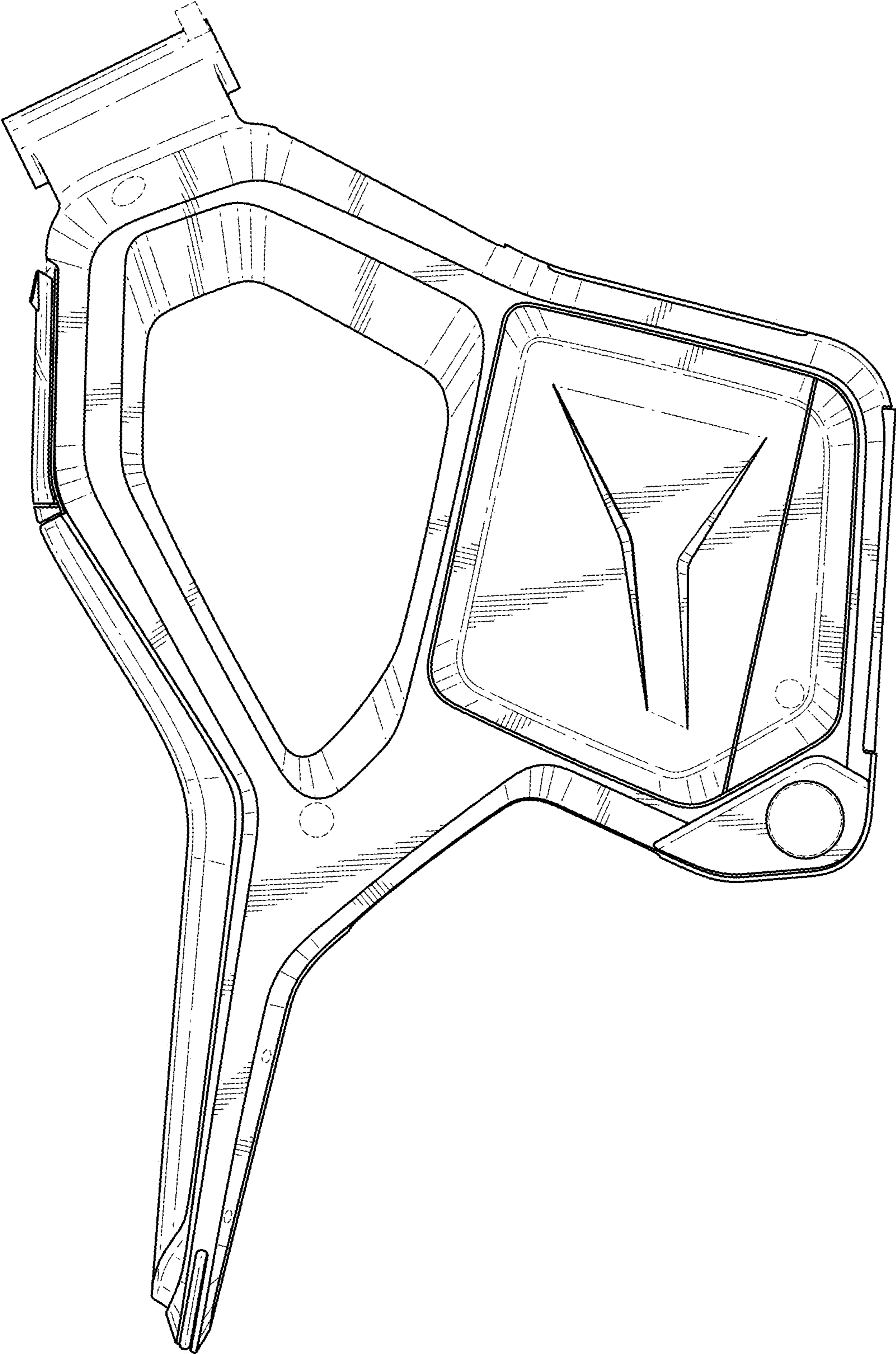


FIG. 3

FIG. 4

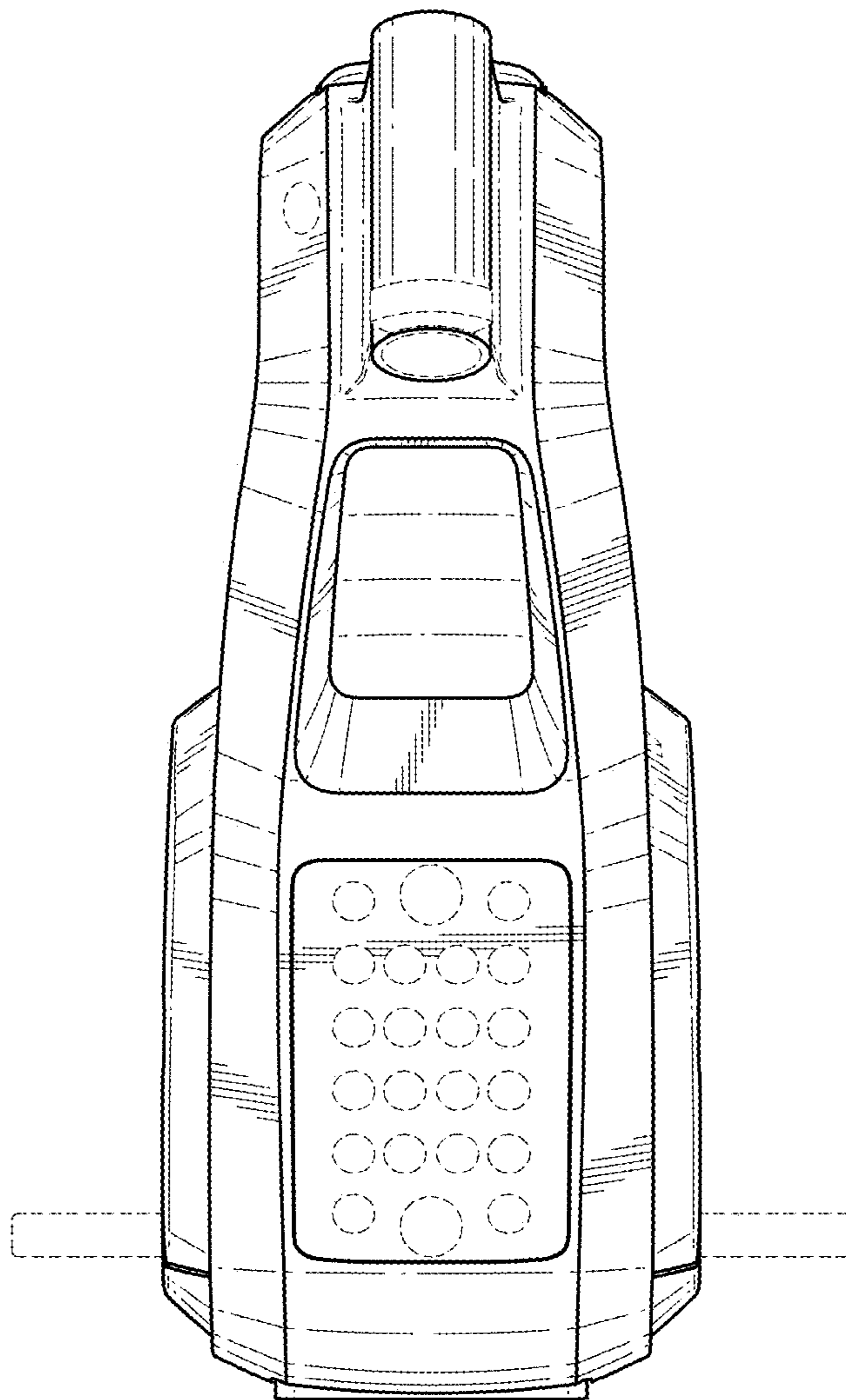


FIG. 5

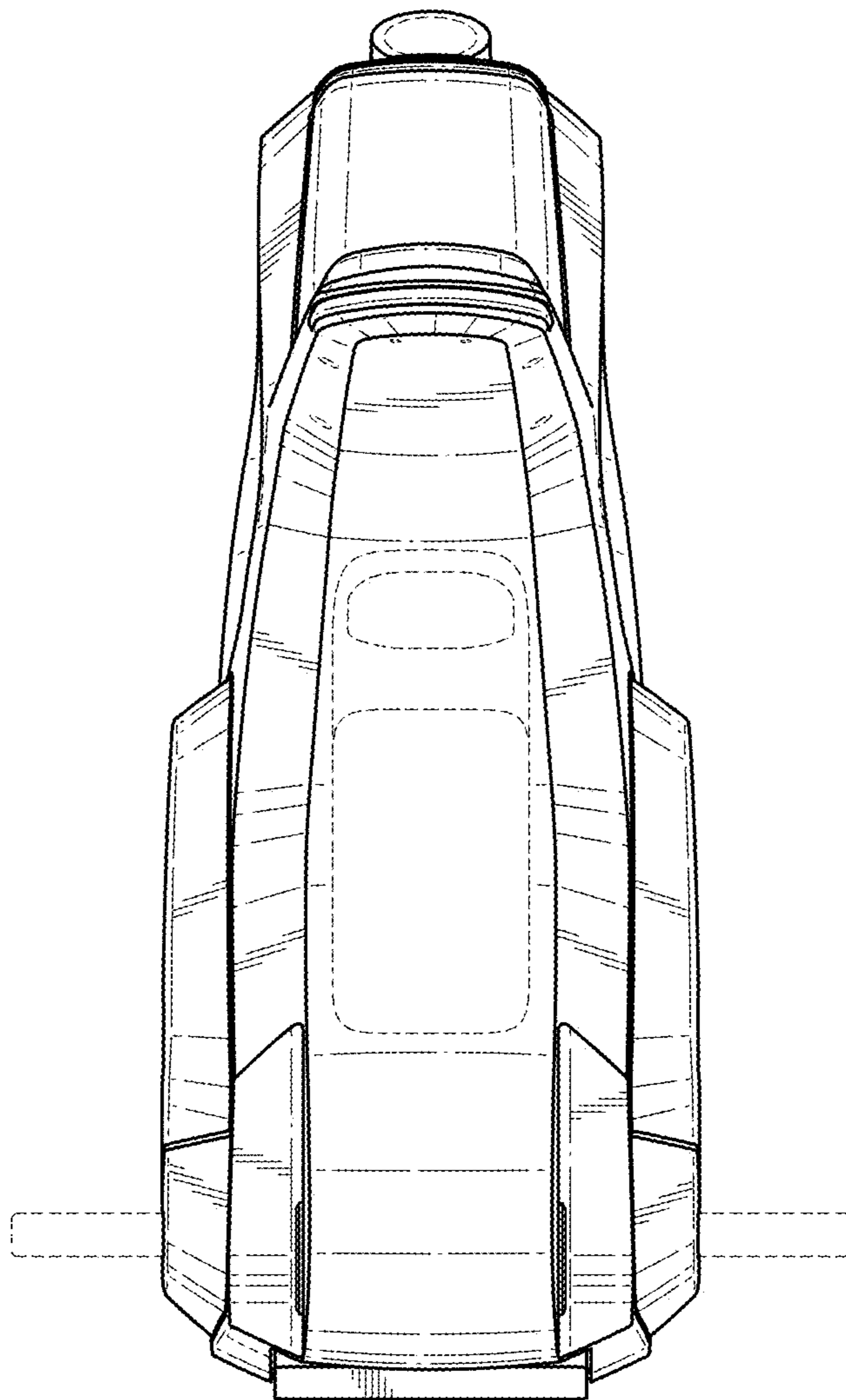


FIG. 6

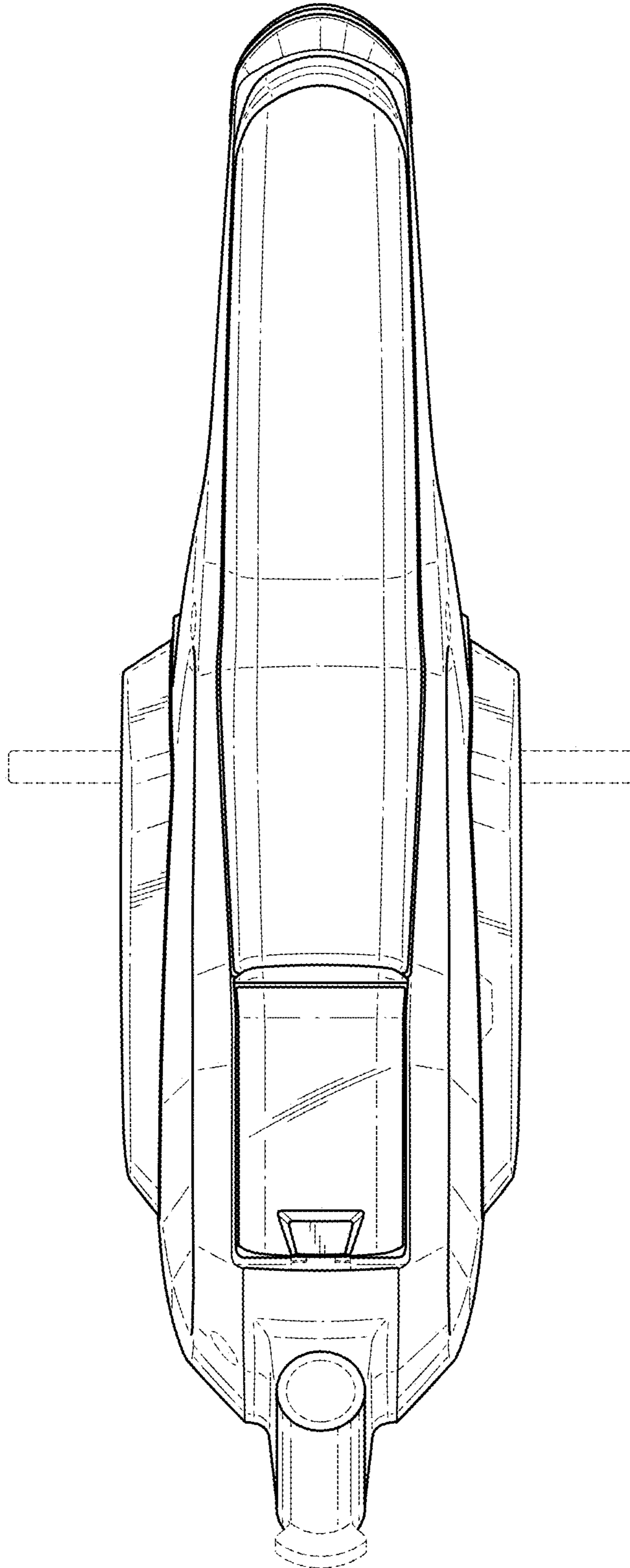


FIG. 7

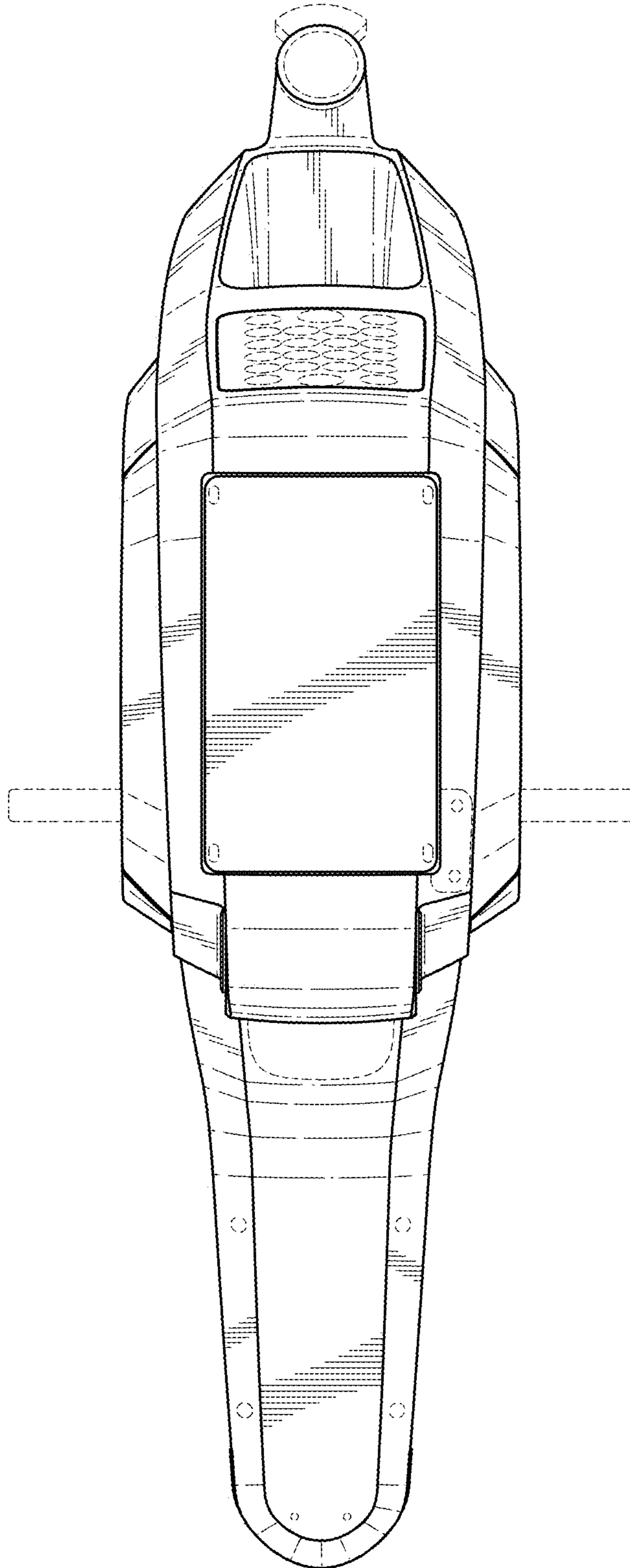


FIG. 8

