



US00D950420S

(12) **United States Design Patent**
Lou et al.

(10) **Patent No.:** **US D950,420 S**

(45) **Date of Patent:** **** May 3, 2022**

- (54) **ALL-TERRAIN VEHICLE**
- (71) Applicant: **ZHEJIANG TAOTAO VEHICLES CO., LTD.**, Lishui (CN)
- (72) Inventors: **Guidong Lou**, Lishui (CN); **Jie Xu**, Lishui (CN); **Junhui Li**, Lishui (CN); **Weihao Liu**, Lishui (CN); **Yali Ying**, Lishui (CN)
- (73) Assignee: **ZHEJIANG TAOTAO VEHICLES CO., LTD.**, Lishui (CN)
- (**) Term: **15 Years**
- (21) Appl. No.: **29/775,419**
- (22) Filed: **Mar. 23, 2021**

- D374,416 S * 10/1996 Miyamoto D12/107
- D383,095 S * 9/1997 Miyamoto D12/107
- D405,029 S * 2/1999 Deutschman D12/107
- D421,935 S * 3/2000 Fujieda D12/107
- D428,363 S * 7/2000 Sugimoto D12/107
- D429,663 S * 8/2000 Tamashima D12/107
- D436,559 S * 1/2001 Fujieda D12/107
- D480,991 S * 10/2003 Rondeau D12/107
- D492,916 S * 7/2004 Rondeau D12/107
- D493,750 S * 8/2004 Crepeau D12/107
- D496,308 S * 9/2004 Wu D12/107
- D511,717 S * 11/2005 Lin D12/107
- D513,718 S * 1/2006 Itaya D12/107
- D516,467 S * 3/2006 Wu D12/107
- D517,951 S * 3/2006 Luh D12/107
- D517,952 S * 3/2006 Luh D12/107
- D518,759 S * 4/2006 Kettler D12/107
- D520,912 S * 5/2006 Knight D12/107
- D520,914 S * 5/2006 Luh D12/107

(Continued)

Related U.S. Application Data

- (62) Division of application No. 29/652,135, filed on May 18, 2020, now Pat. No. Des. 926,636.

Foreign Application Priority Data

- Nov. 18, 2019 (CN) 201930635074.6
- Dec. 14, 2019 (CN) 201930699606.2

(51) **LOC (13) Cl.** **12-11**

(52) **U.S. Cl.**
USPC **D12/107**

(58) **Field of Classification Search**
USPC D12/3, 86, 87, 107, 110
CPC B60K 5/12; B60K 13/04; B60K 17/354
See application file for complete search history.

References Cited

U.S. PATENT DOCUMENTS

- D297,132 S * 8/1988 Ryuzoji D12/107
- D298,811 S * 12/1988 Morita D12/107
- D305,999 S * 2/1990 Ueda D12/107

Primary Examiner — Darlington Ly

(74) *Attorney, Agent, or Firm* — Schwegman Lundberg & Woessner, P.A.

(57) **CLAIM**

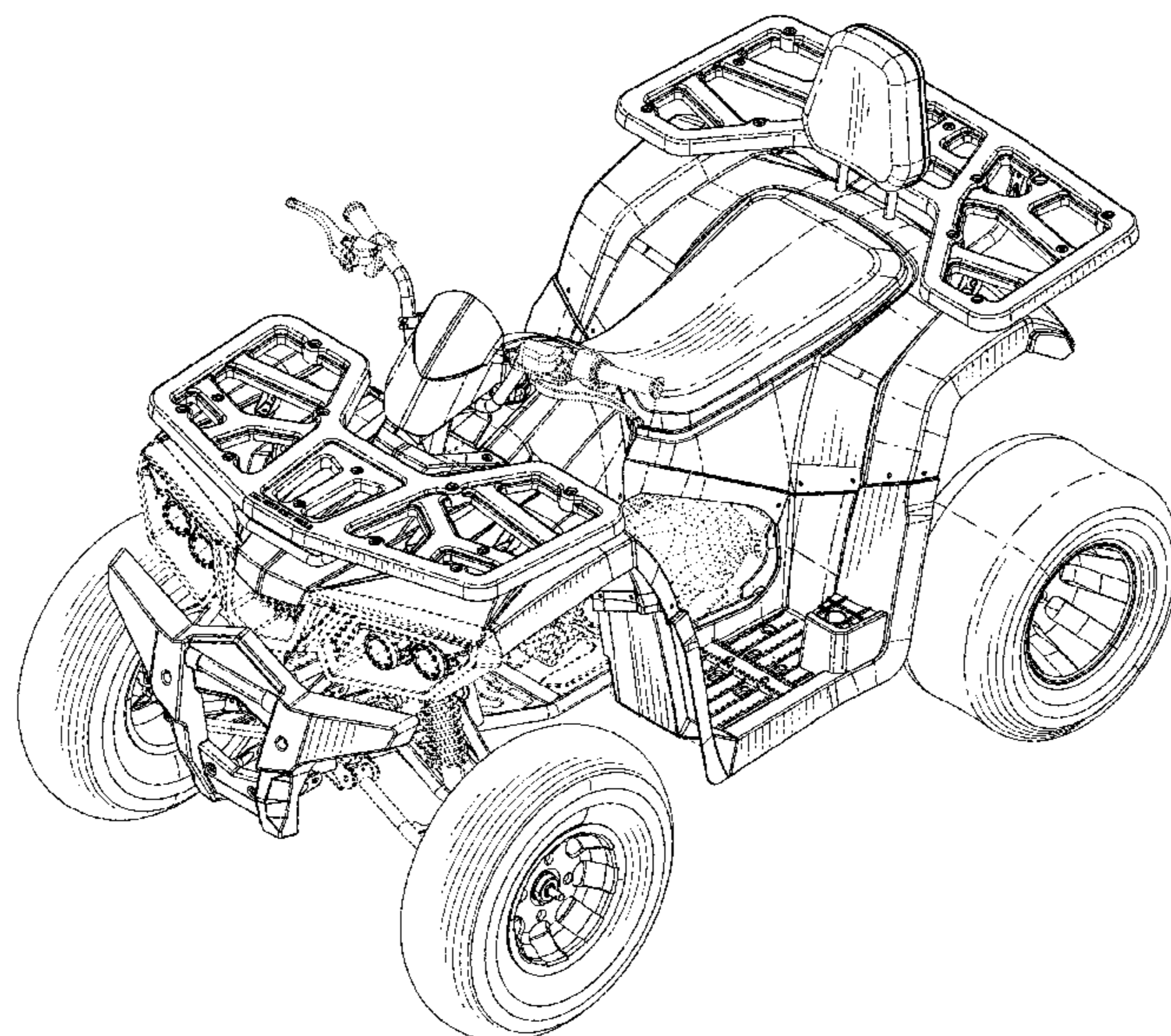
The ornamental design for an all-terrain vehicle, as shown and described.

DESCRIPTION

FIG. 1 is a front perspective view of an all-terrain vehicle embodying our new design;
FIG. 2 is a rear perspective view thereof;
FIG. 3 is a front elevation view thereof;
FIG. 4 is a rear elevation view thereof;
FIG. 5 is a left side elevation view thereof;
FIG. 6 is a right side elevation view thereof;
FIG. 7 is a top plan view thereof; and,
FIG. 8 is a bottom plan view thereof.

The broken lines in the drawings illustrate portions of the all-terrain vehicle that form no part of the claimed design.

1 Claim, 8 Drawing Sheets



(56)

References Cited

U.S. PATENT DOCUMENTS

D522,924 S *	6/2006	Yokoyama	D12/107	D628,520 S *	12/2010	Lin	D12/107
D523,782 S *	6/2006	Lin	D12/107	D638,755 S *	5/2011	Bracy	D12/107
D529,414 S *	10/2006	Wu	D12/107	D640,604 S *	6/2011	Lai	D12/107
D531,088 S *	10/2006	Lin	D12/107	D640,605 S *	6/2011	Lai	D12/107
D532,339 S *	11/2006	Hishiki	D12/107	D643,781 S *	8/2011	Nagao	D12/107
D539,705 S *	4/2007	Ichikawa	D12/107	D657,720 S *	4/2012	Eck	D12/107
D542,186 S *	5/2007	Lai	D12/107	D657,721 S *	4/2012	Miyanishi	D12/107
D542,188 S *	5/2007	Miwa	D12/107	D668,184 S *	10/2012	Tashiro	D12/107
D561,064 S *	2/2008	Crepeau	D12/107	D671,037 S *	11/2012	Wu	D12/107
D584,661 S *	1/2009	Tanaka	D12/107	D674,728 S *	1/2013	Matsumura	D12/107
D585,792 S *	2/2009	Chao	D12/107	D680,468 S *	4/2013	Li	D12/107
D592,556 S *	5/2009	Mehra	D12/107	D680,469 S *	4/2013	Li	D12/107
D592,557 S *	5/2009	Mehra	D12/107	D691,519 S *	10/2013	Fisher	D12/107
D595,188 S *	6/2009	Tandrup	D12/107	D694,671 S *	12/2013	Lai	D12/107
D596,080 S *	7/2009	Lai	D12/107	8,596,398 B2 *	12/2013	Bennett	B60K 17/22 180/90.6
D597,890 S *	8/2009	Lai	D12/107	D721,300 S *	1/2015	Li	D12/107
D599,250 S *	9/2009	Hirano	D12/107	D735,615 S *	8/2015	Itaya	D12/107
D599,251 S *	9/2009	Yin	D12/107	D751,467 S *	3/2016	Lai	D12/107
D606,905 S *	12/2009	Yao	D12/107	D761,698 S *	7/2016	Umemoto	D12/107
D609,136 S *	2/2010	Renchuan	D12/107	D774,955 S *	12/2016	Lai	D12/107
D620,399 S *	7/2010	Wu	D12/107	D774,957 S *	12/2016	Umemoto	D12/107
					2014/0262584 A1 *	9/2014	Lovold	B60K 13/04 180/246

* cited by examiner

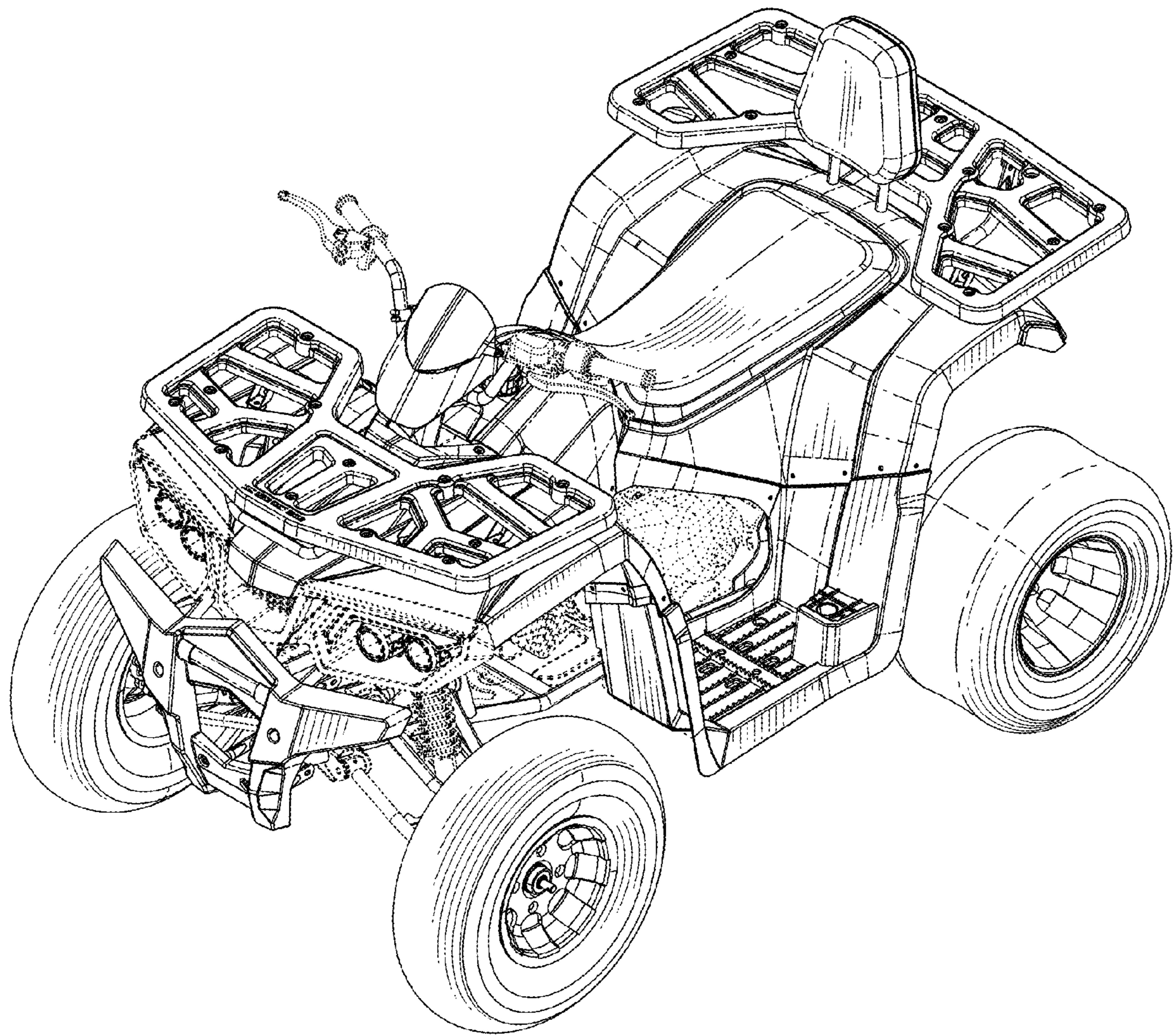


FIG. 1

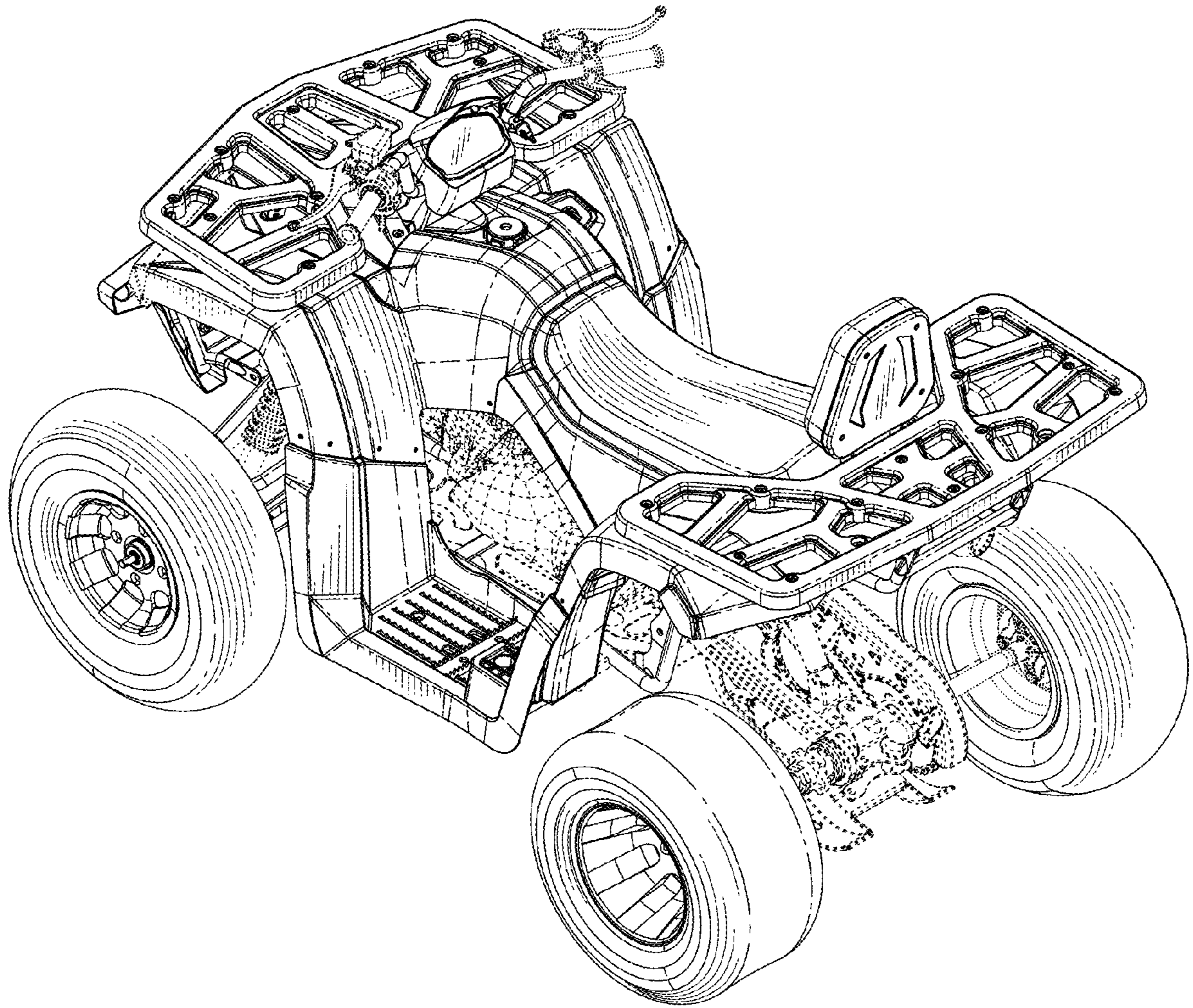


FIG. 2

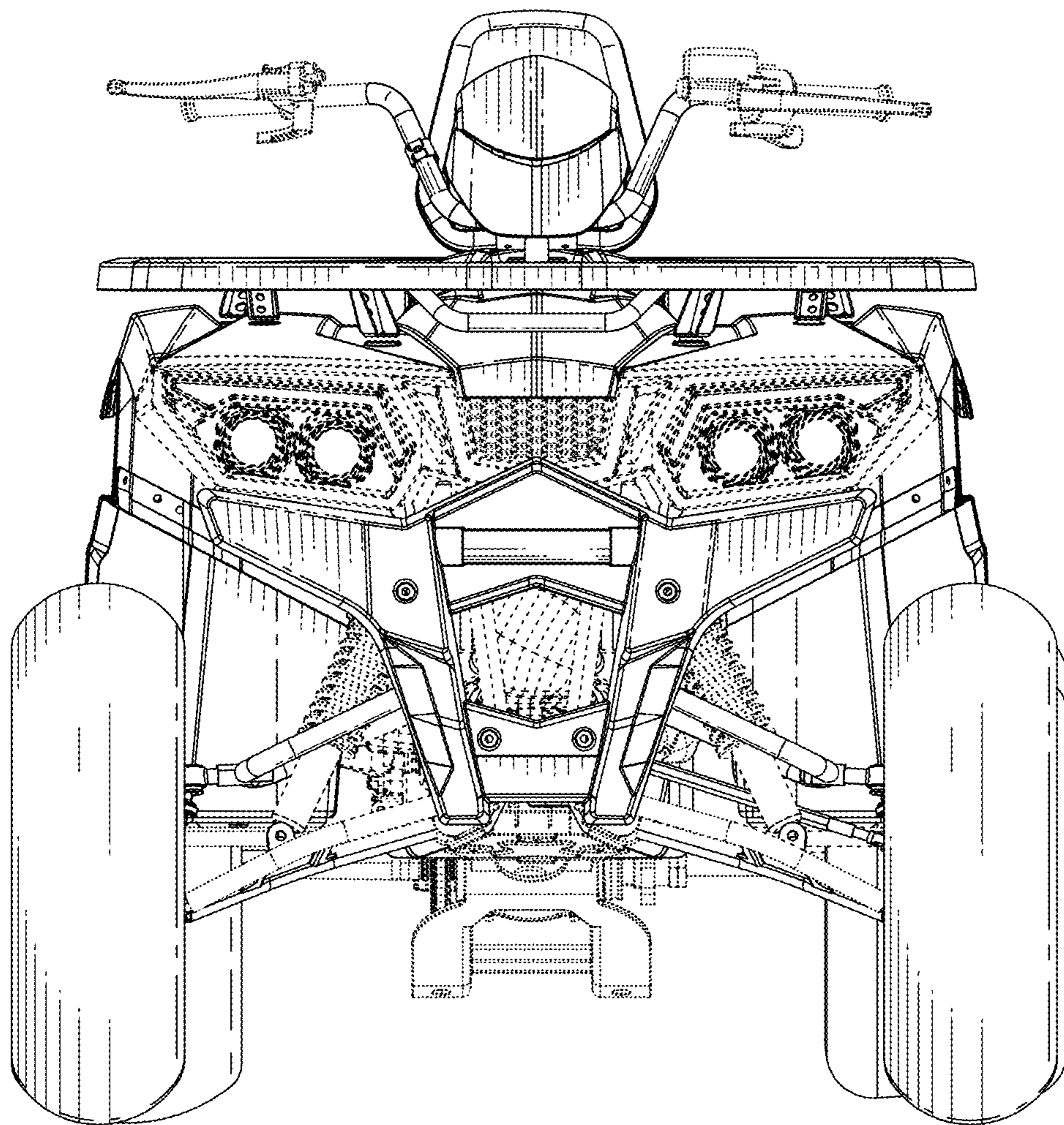


FIG. 3

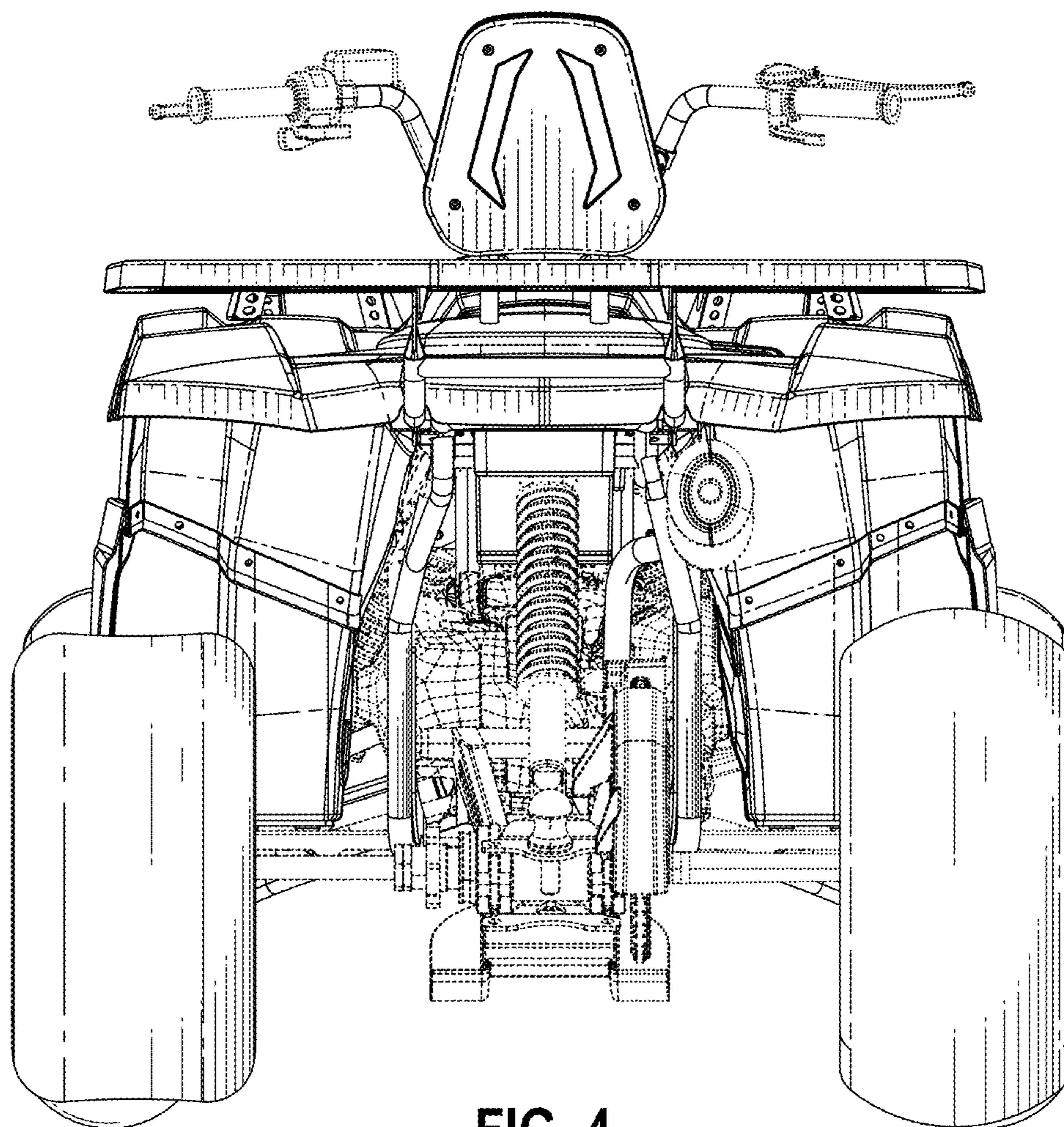


FIG. 4

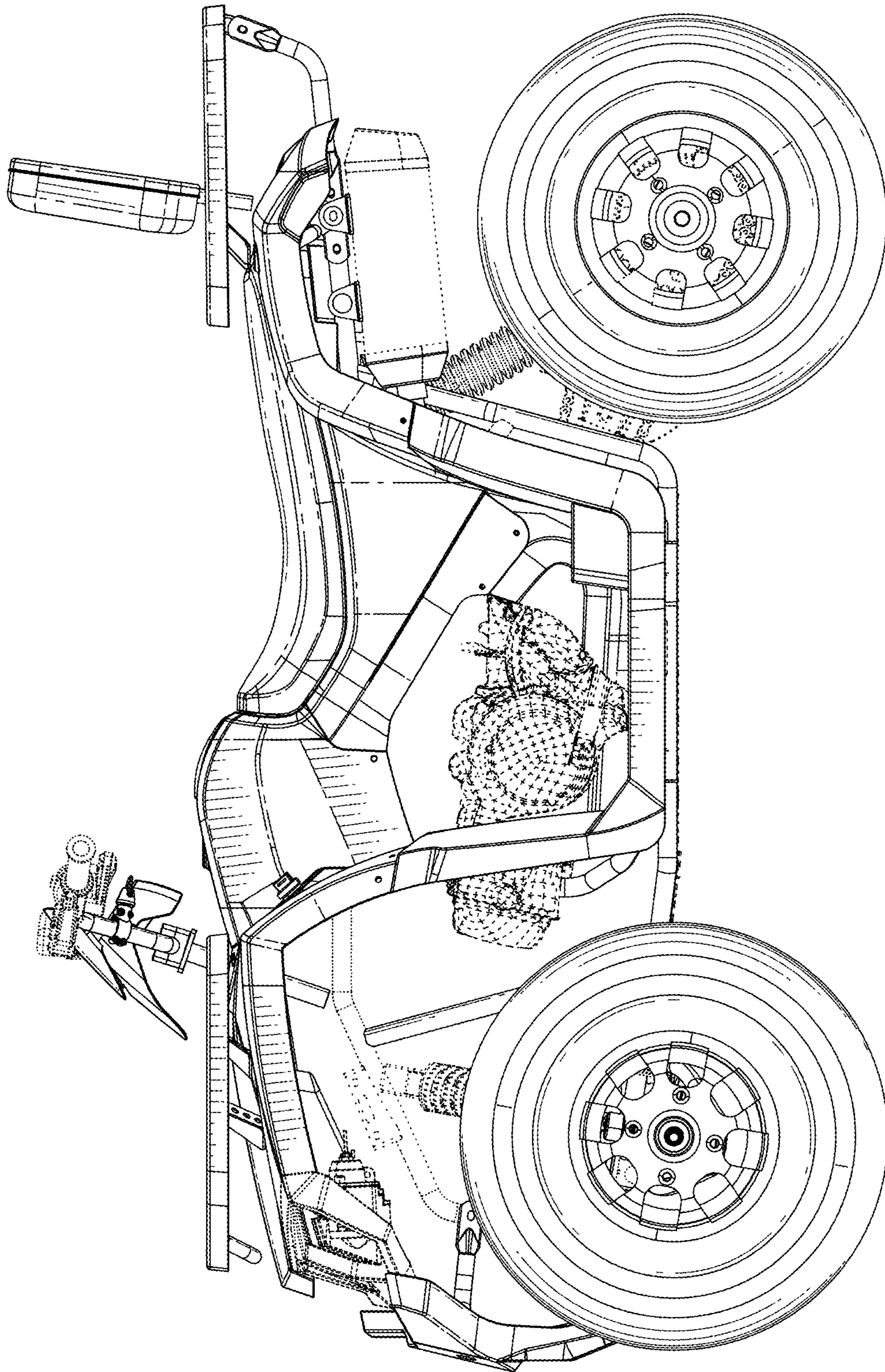


FIG. 5

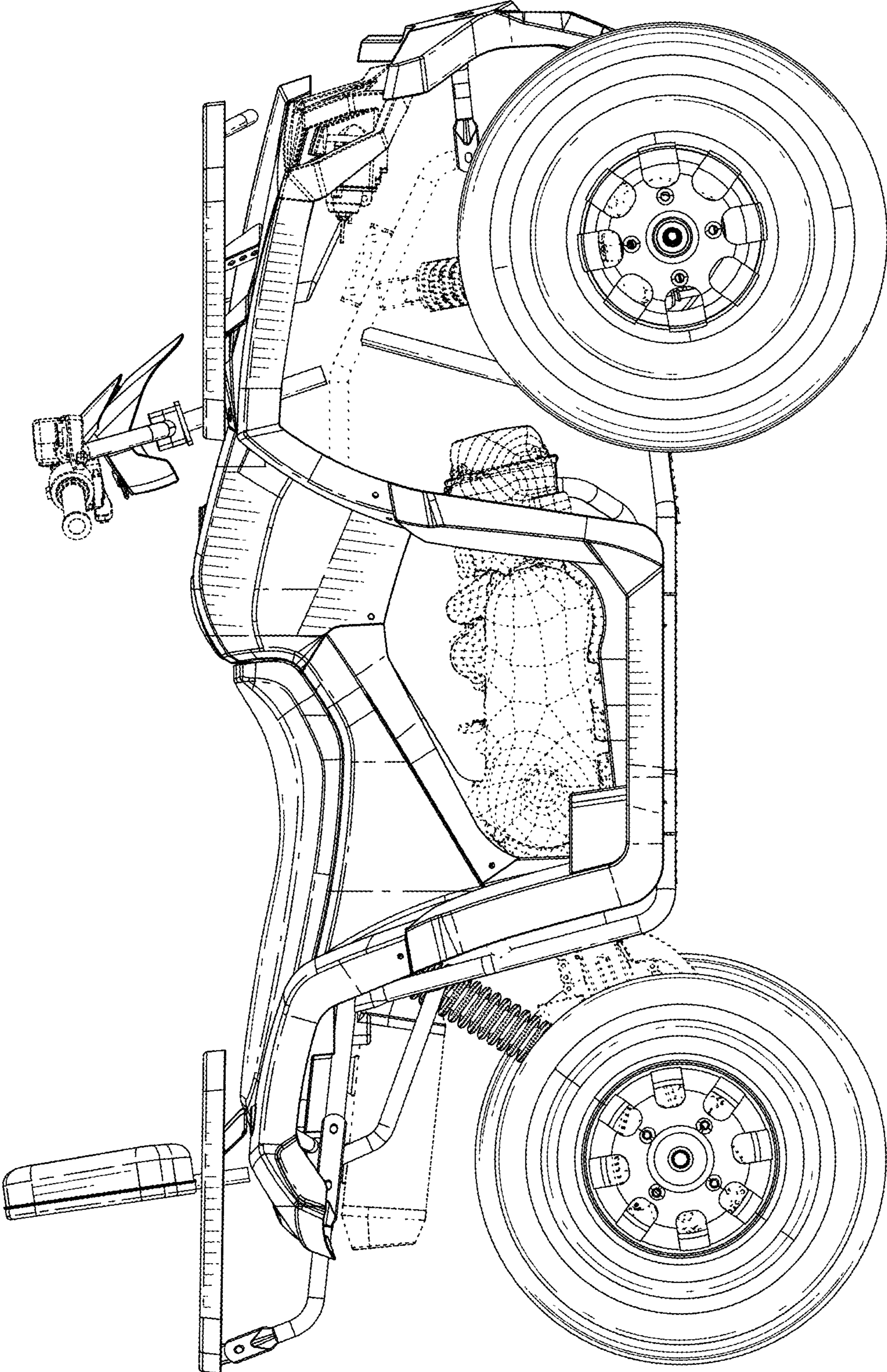


FIG. 6

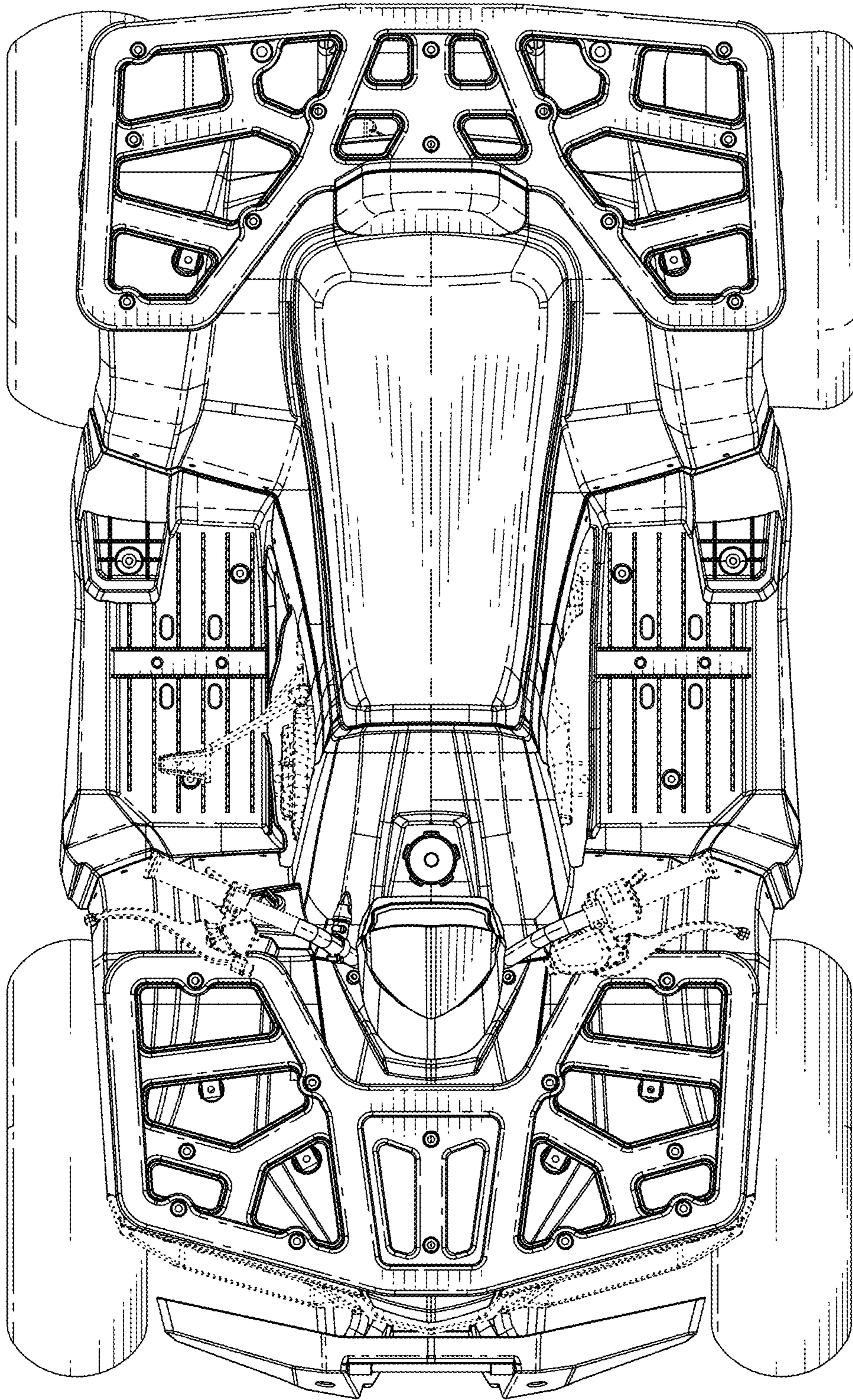


FIG. 7

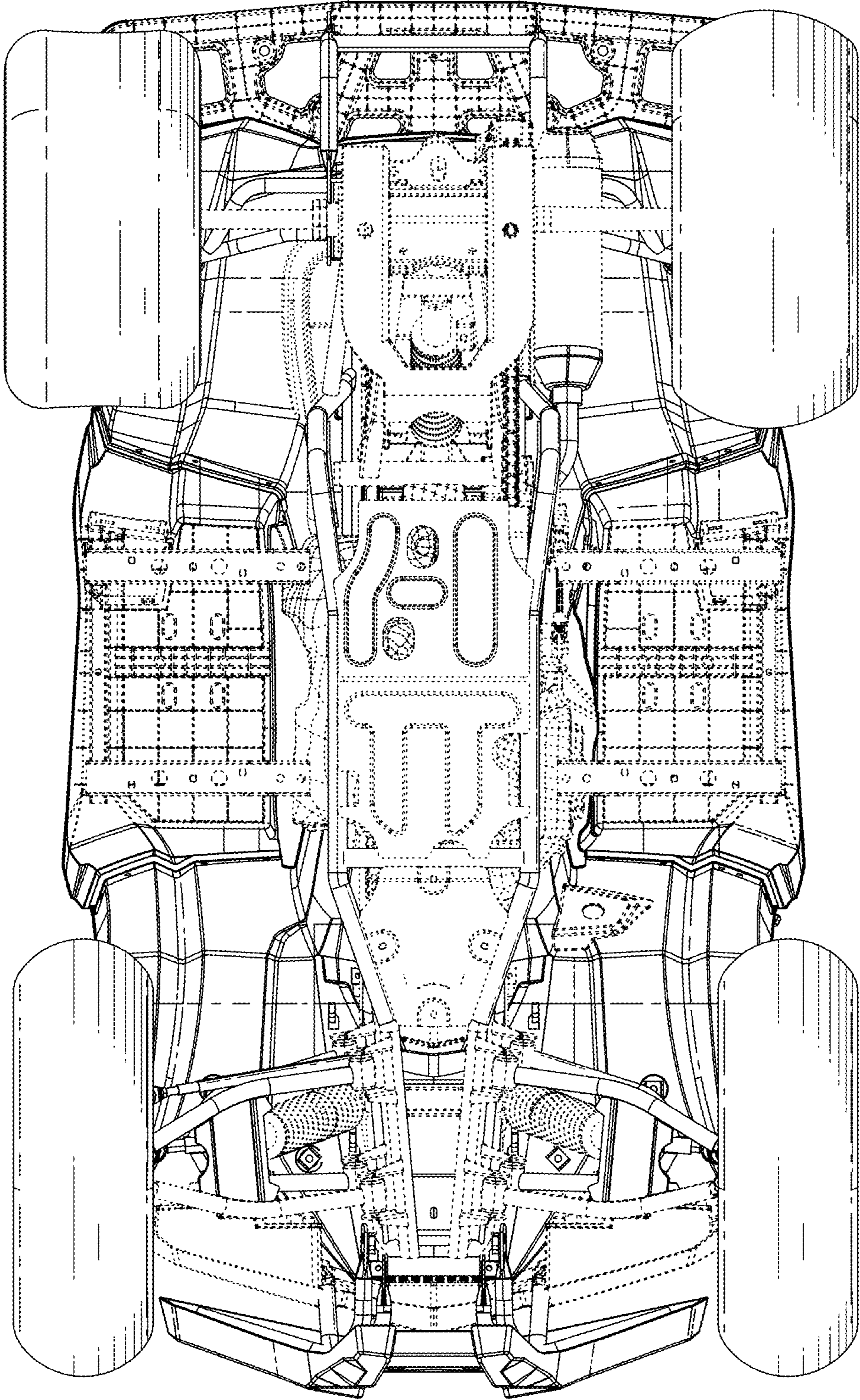


FIG. 8