



US00D950417S

(12) **United States Design Patent**  
**Abdallah**

(10) **Patent No.:** **US D950,417 S**

(45) **Date of Patent:** **\*\* May 3, 2022**

- (54) **AUTOMOTIVE VEHICLE**
- (71) Applicant: **Equus Motors LLC**, Bloomfield Hills, MI (US)
- (72) Inventor: **Bassam Abdallah**, Paris (FR)
- (73) Assignee: **EQUUS MOTORS, LLC**, Bloomfield Hills, MI (US)
- (\*\*) Term: **15 Years**
- (21) Appl. No.: **29/743,493**
- (22) Filed: **Jul. 22, 2020**
- (51) **LOC (13) Cl.** ..... **12-08**
- (52) **U.S. Cl.**  
USPC ..... **D12/91**
- (58) **Field of Classification Search**  
USPC .... D12/86, 90-92, 164; D21/424, 433, 434;  
296/181.1-181.5, 183.1  
CPC ..... B62D 25/00; B62D 25/06; B62D 33/00;  
B62D 35/00  
See application file for complete search history.

D782,937 S *	4/2017	Wheel .....	D12/91
D784,855 S *	4/2017	Wheel .....	D12/91
D791,645 S *	7/2017	Henstridge .....	D12/91
D793,907 S *	8/2017	Woolley .....	D12/91
D805,959 S *	12/2017	Wheel .....	D12/91
D805,960 S *	12/2017	Wheel .....	D12/91
D807,228 S *	1/2018	Woolley .....	D12/91
D807,245 S *	1/2018	Patel .....	D12/164
D817,817 S *	5/2018	Frascella .....	D12/91
D818,399 S *	5/2018	Frascella .....	D12/91
D840,269 S *	2/2019	Frascella .....	D12/91
D840,272 S *	2/2019	Battams .....	D12/91
D840,273 S *	2/2019	Battams .....	D12/91
D843,269 S *	3/2019	Shi .....	D12/111
D849,600 S *	5/2019	Egan .....	D12/91
D881,072 S *	4/2020	Frascella .....	D12/91
D893,354 S *	8/2020	Oh .....	D12/91

\* cited by examiner

*Primary Examiner* — Melody N Brown

(74) *Attorney, Agent, or Firm* — Inventa Capital PLC

(57) **CLAIM**

I claim the ornamental design for an automotive vehicle, as shown and described.

**DESCRIPTION**

FIG. 1 is a front perspective view of an automotive vehicle showing our new design;

FIG. 2 is a rear perspective view thereof;

FIG. 3 is a right side elevational view thereof;

FIG. 4 is a left side elevational view thereof;

FIG. 5 is a front elevational view thereof;

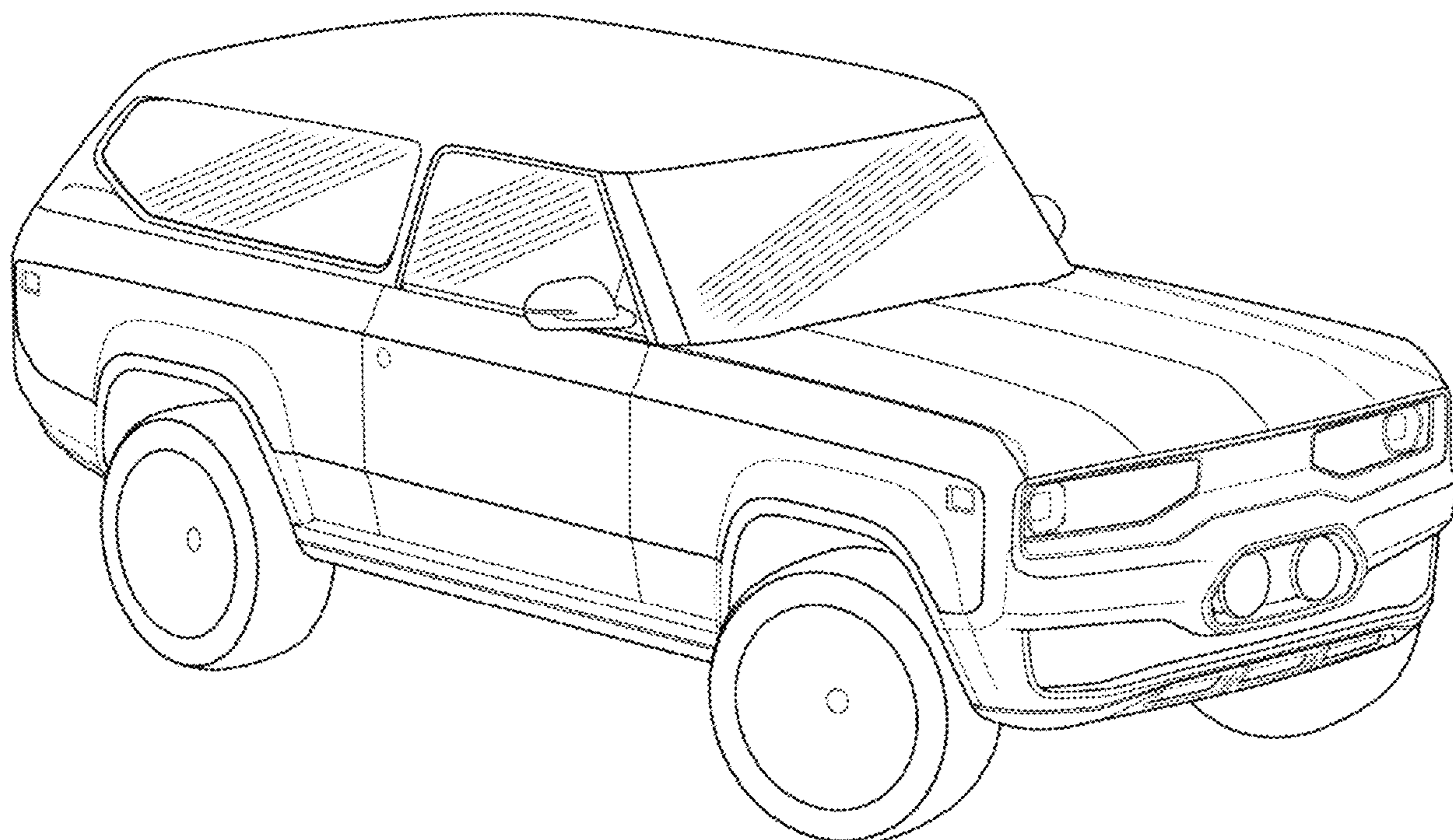
FIG. 6 is a rear elevational view thereof; and,

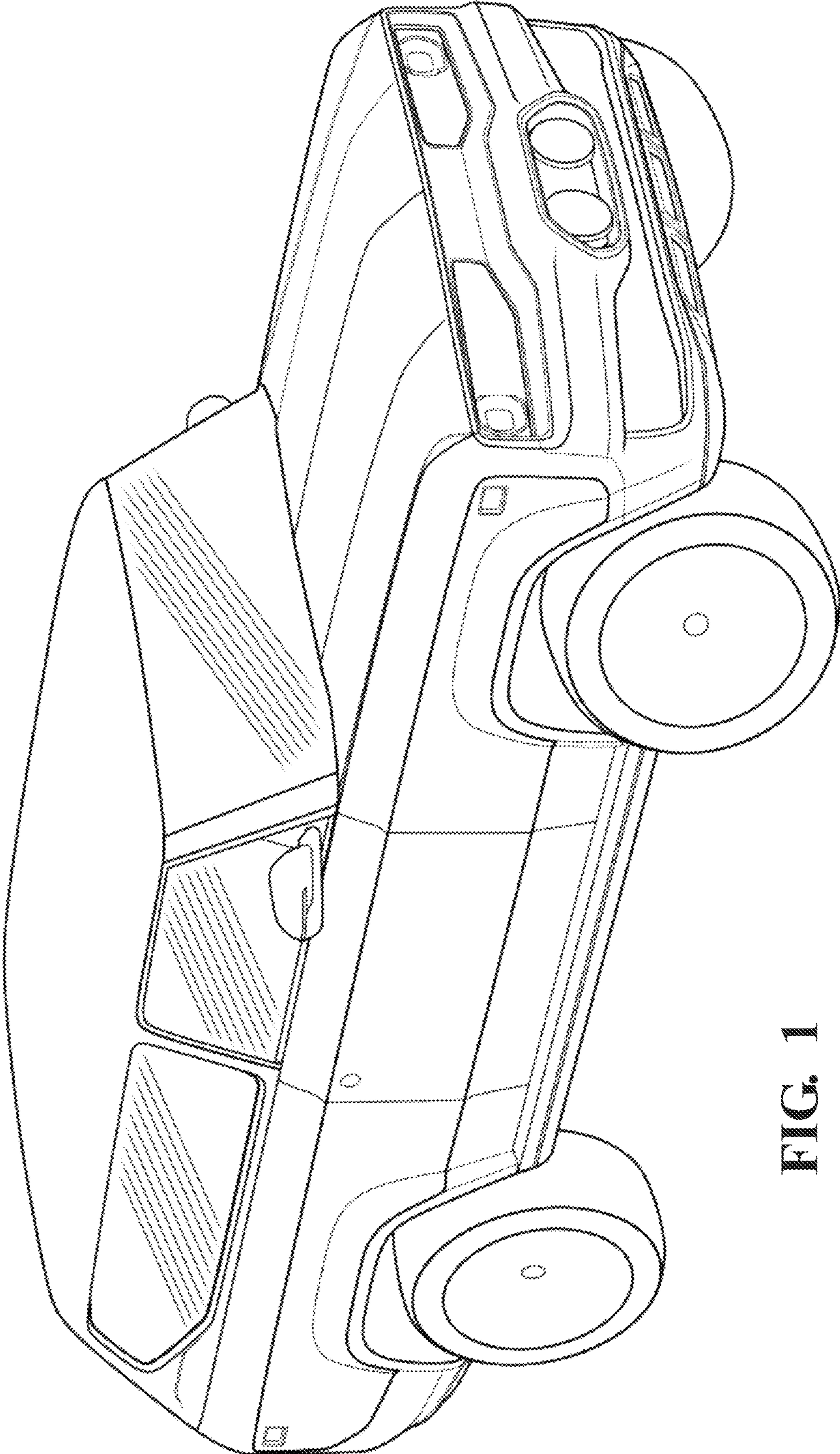
FIG. 7 is a top plan view thereof.

**1 Claim, 7 Drawing Sheets**

(56) **References Cited**  
U.S. PATENT DOCUMENTS

D716,695 S *	11/2014	Woolley .....	D12/91
D718,188 S *	11/2014	Wheel .....	D12/91
D746,722 S *	1/2016	Henstridge .....	D12/91
D750,531 S *	3/2016	Watkins .....	D12/91
D750,532 S *	3/2016	Frascella .....	D12/91
D752,481 S *	3/2016	Frascella .....	D12/91
D762,142 S *	7/2016	Battams .....	D12/91
D774,417 S *	12/2016	Watkins .....	D12/91
D779,394 S *	2/2017	Suga .....	D12/164





**FIG. 1**

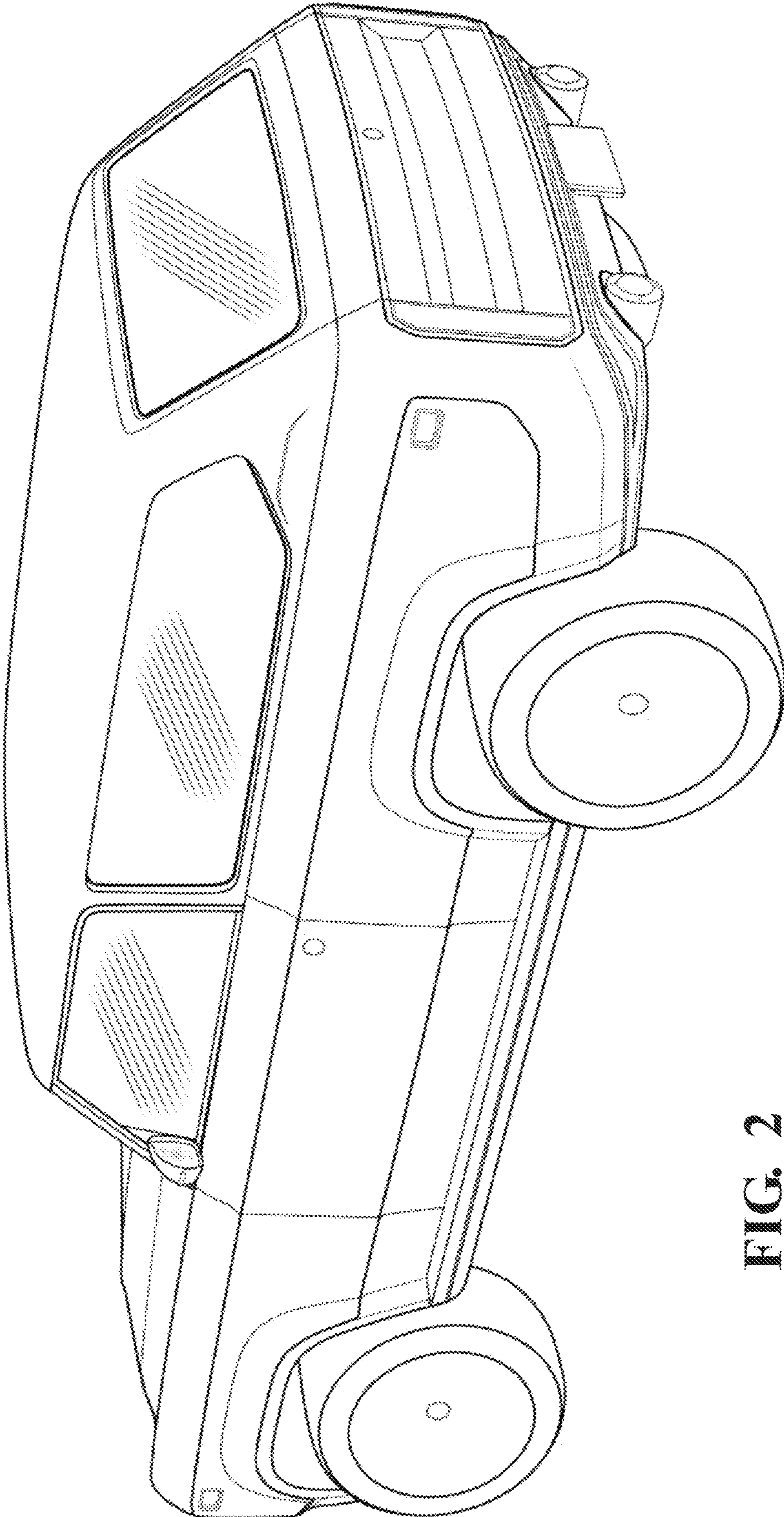


FIG. 2

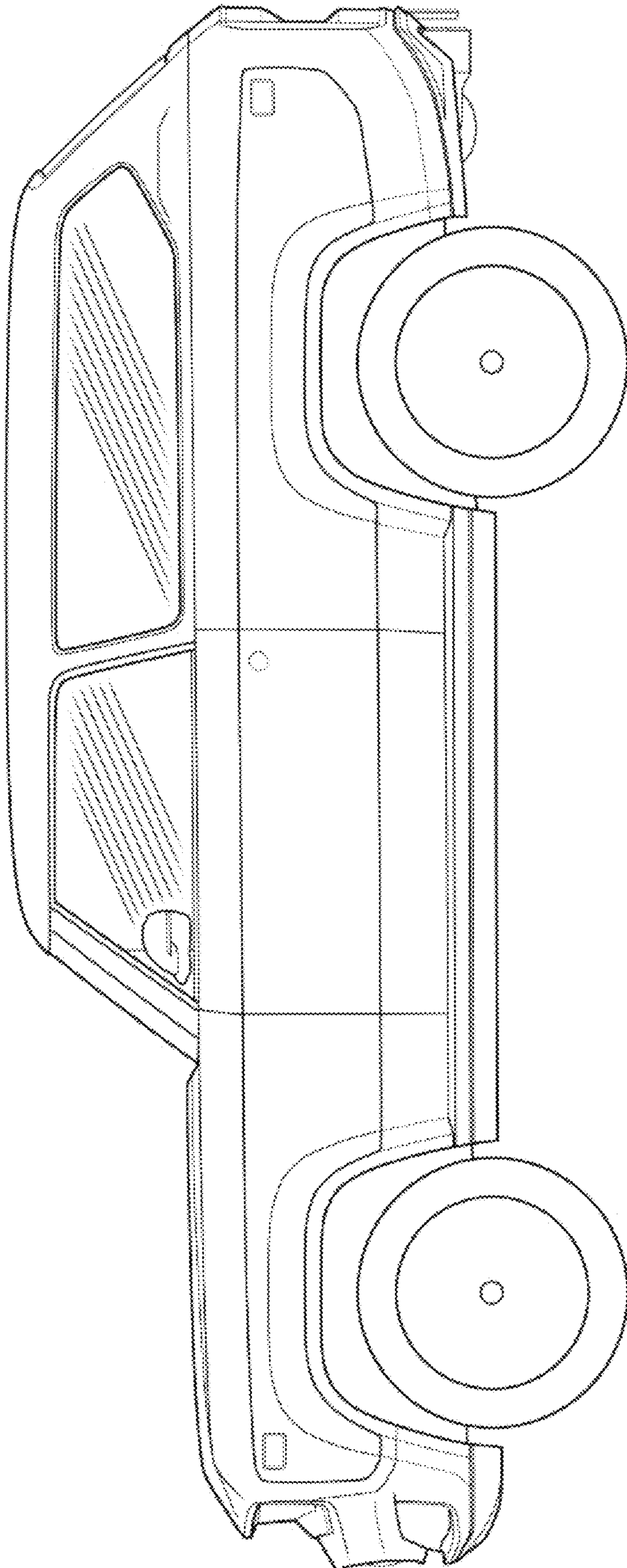


FIG. 3

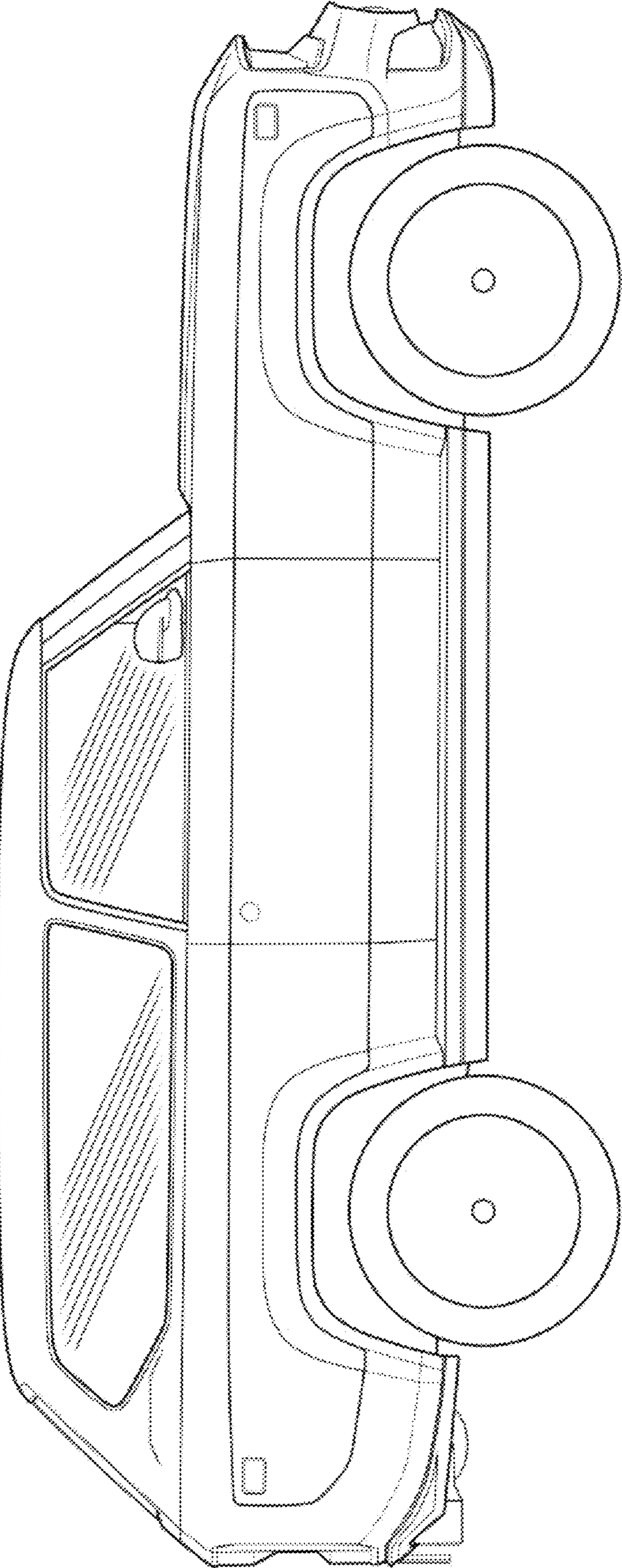
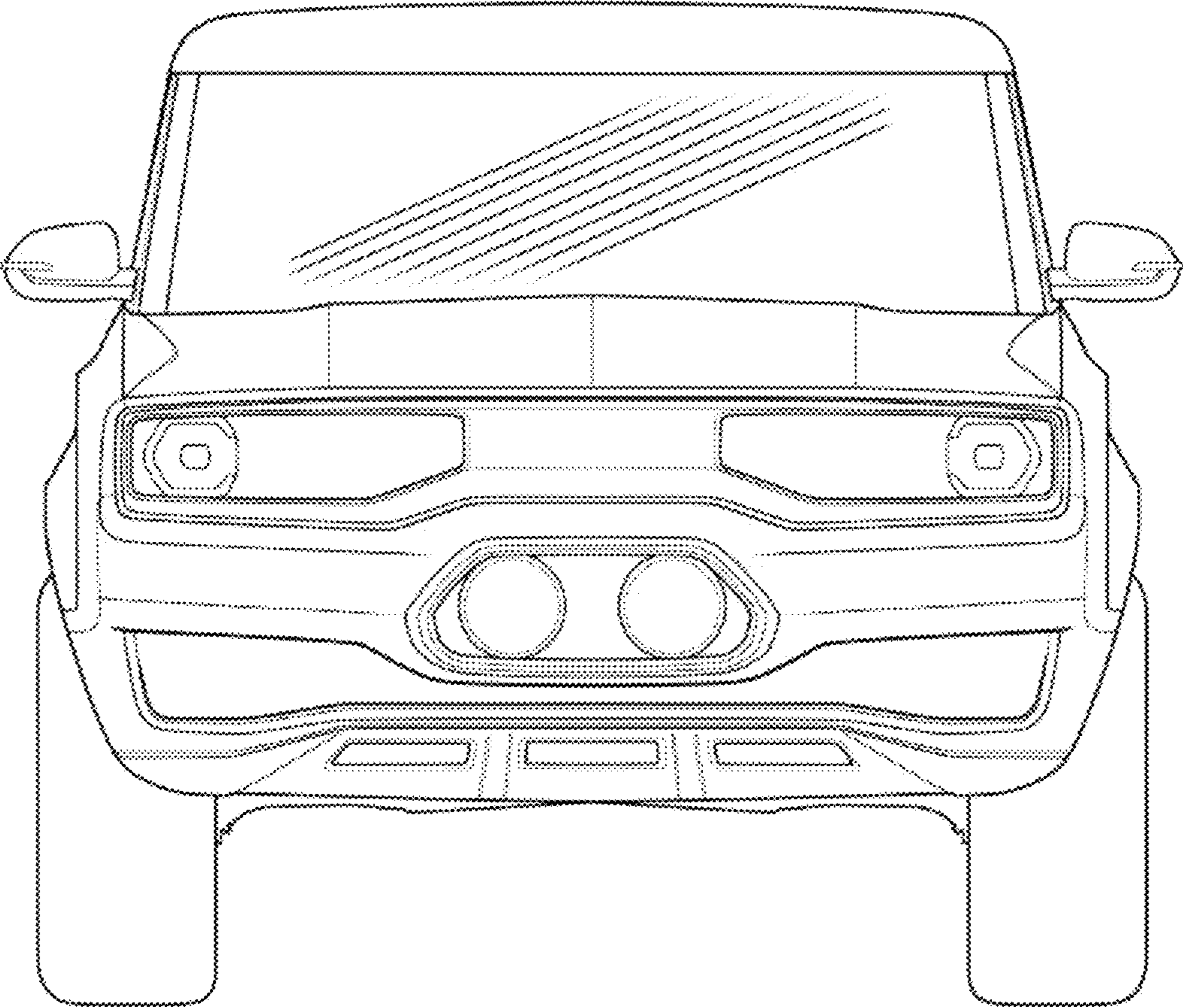
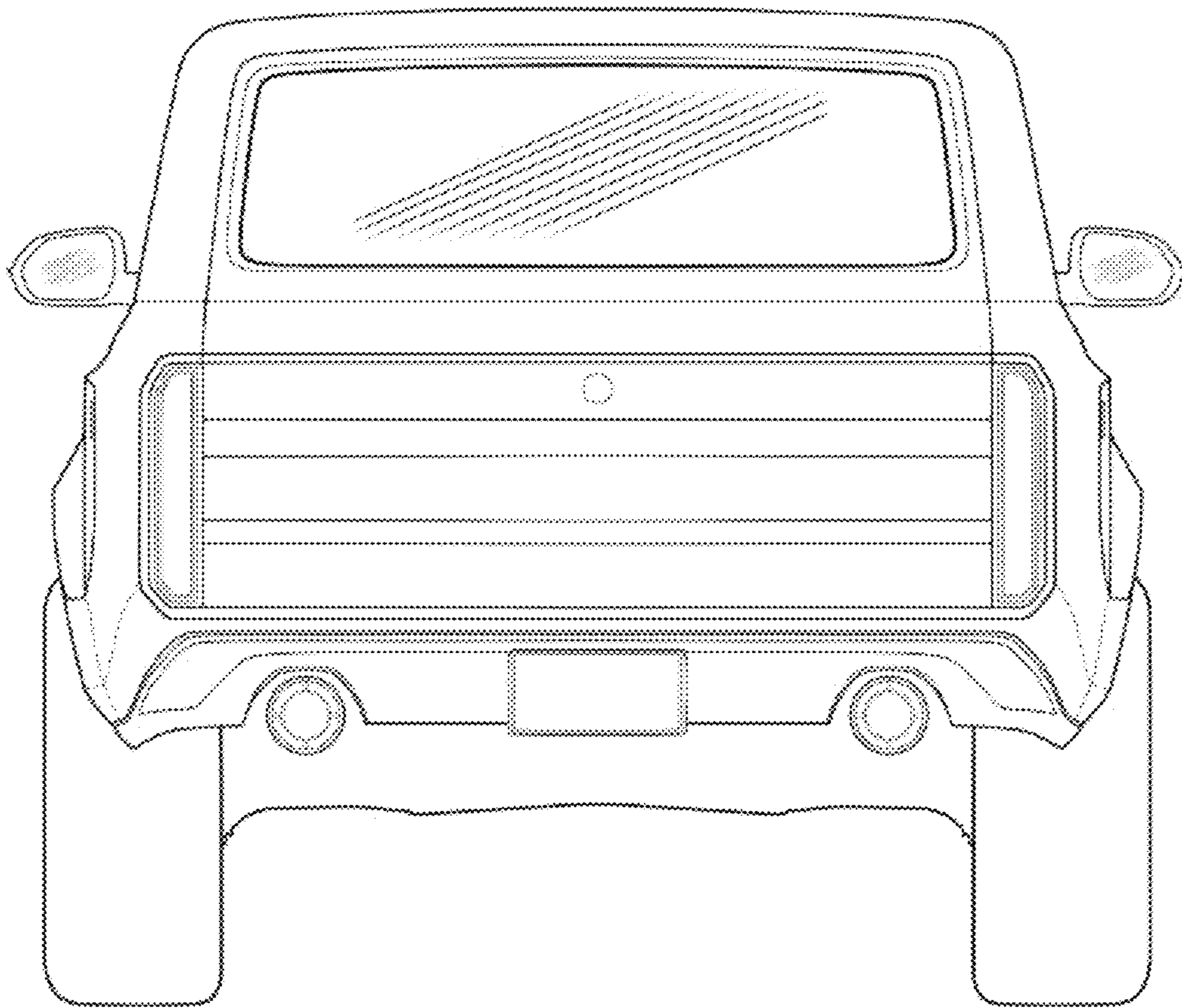


FIG. 4



**FIG. 5**



**FIG. 6**

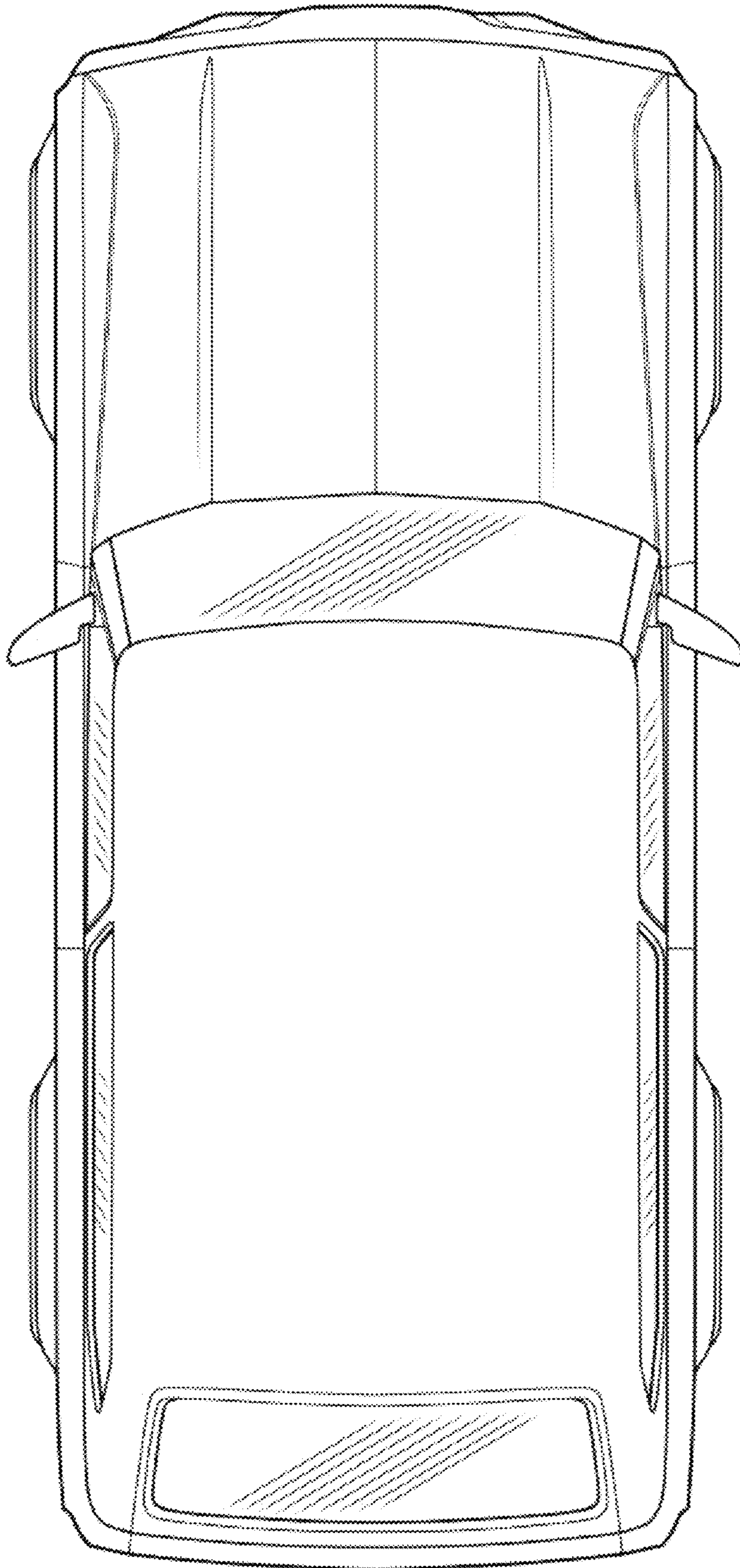


FIG. 7