



US00D950416S

(12) **United States Design Patent**
Abdallah

(10) **Patent No.:** **US D950,416 S**

(45) **Date of Patent:** **** May 3, 2022**

(54) **AUTOMOTIVE VEHICLE**

(71) Applicant: **Equus Motors LLC**, Bloomfield Hills,
MI (US)

(72) Inventor: **Bassam Abdallah**, Paris (FR)

(**) Term: **15 Years**

(21) Appl. No.: **29/743,492**

(22) Filed: **Jul. 22, 2020**

(51) **LOC (13) Cl.** **12-08**

(52) **U.S. Cl.**
USPC **D12/91**

(58) **Field of Classification Search**
USPC D12/86, 90–92, 164; D21/424, 433, 434;
296/181.1–181.5, 183.1
CPC B62D 25/00; B62D 25/06; B62D 33/00;
B62D 35/00
See application file for complete search history.

D791,645 S *	7/2017	Henstridge	D12/91
D793,907 S *	8/2017	Woolley	D12/91
D805,959 S *	12/2017	Wheel	D12/91
D805,960 S *	12/2017	Wheel	D12/91
D807,228 S *	1/2018	Woolley	D12/91
D807,245 S *	1/2018	Patel	D12/164
D817,817 S *	5/2018	Frascella	D12/91
D818,399 S *	5/2018	Frascella	D12/91
D840,269 S *	2/2019	Frascella	D12/91
D840,272 S *	2/2019	Battams	D12/91
D840,273 S *	2/2019	Battams	D12/91
D843,269 S *	3/2019	Shi	D12/111
D849,600 S *	5/2019	Egan	D12/91
D881,072 S *	4/2020	Frascella	D12/91
D893,354 S *	8/2020	Oh	D12/91

* cited by examiner

Primary Examiner — Melody N Brown

(74) *Attorney, Agent, or Firm* — Inventa Capital PLC

(57) **CLAIM**

I claim the ornamental design for an automotive vehicle, as shown and described.

(56) **References Cited**

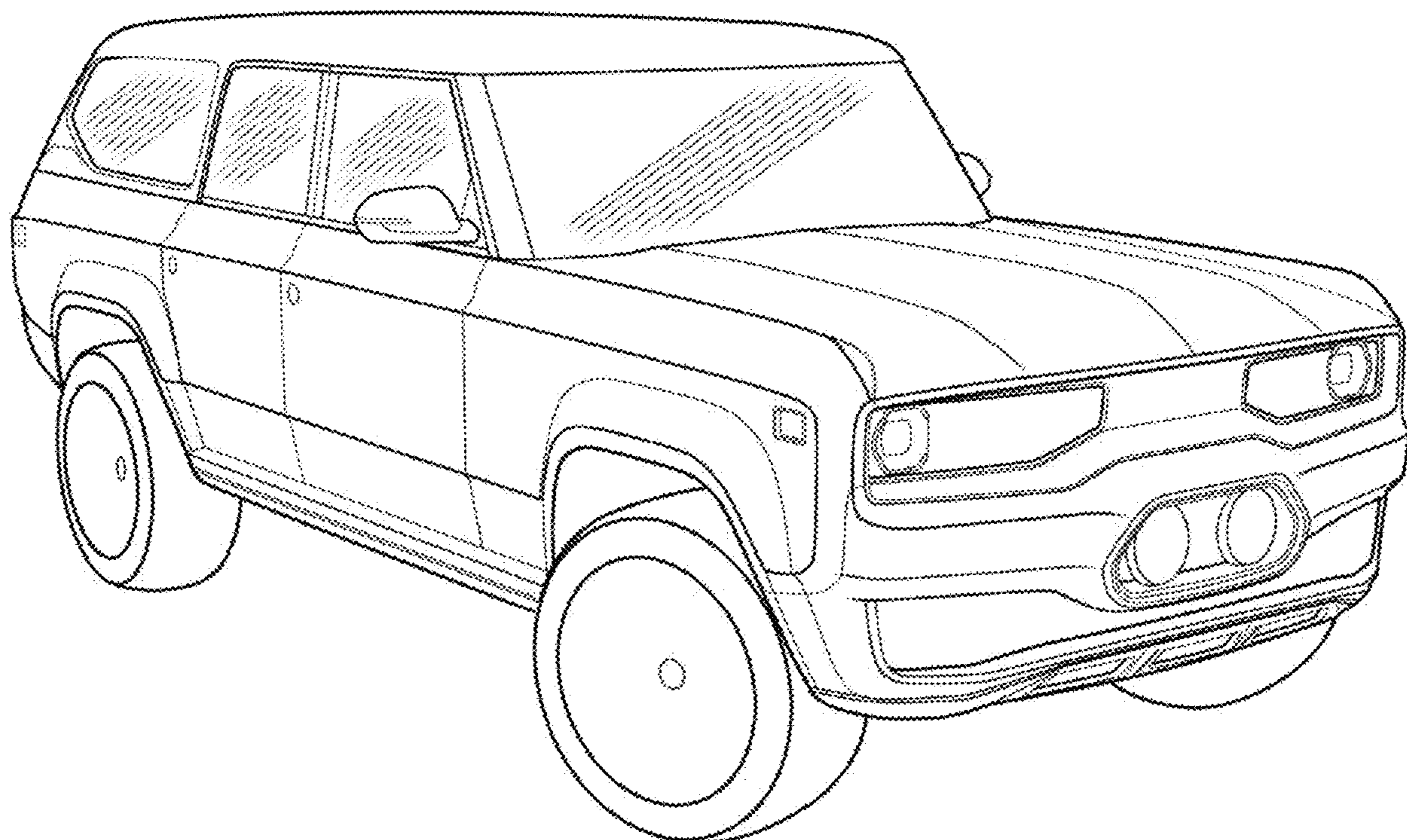
U.S. PATENT DOCUMENTS

D716,695 S *	11/2014	Woolley	D12/91
D718,188 S *	11/2014	Wheel	D12/91
D746,722 S *	1/2016	Henstridge	D12/91
D750,531 S *	3/2016	Watkins	D12/91
D750,532 S *	3/2016	Frascella	D12/91
D752,481 S *	3/2016	Frascella	D12/91
D762,142 S *	7/2016	Battams	D12/91
D774,417 S *	12/2016	Watkins	D12/91
D779,394 S *	2/2017	Suga	D12/164
D782,937 S *	4/2017	Wheel	D12/91
D784,855 S *	4/2017	Wheel	D12/91

DESCRIPTION

FIG. 1 is a front perspective view of an automotive vehicle showing our new design;
FIG. 2 is a rear perspective view thereof;
FIG. 3 is a right side elevational view thereof;
FIG. 4 is a left side elevational view thereof;
FIG. 5 is a front elevational view thereof;
FIG. 6 is a rear elevational view thereof; and,
FIG. 7 is a top plan view thereof.

1 Claim, 7 Drawing Sheets



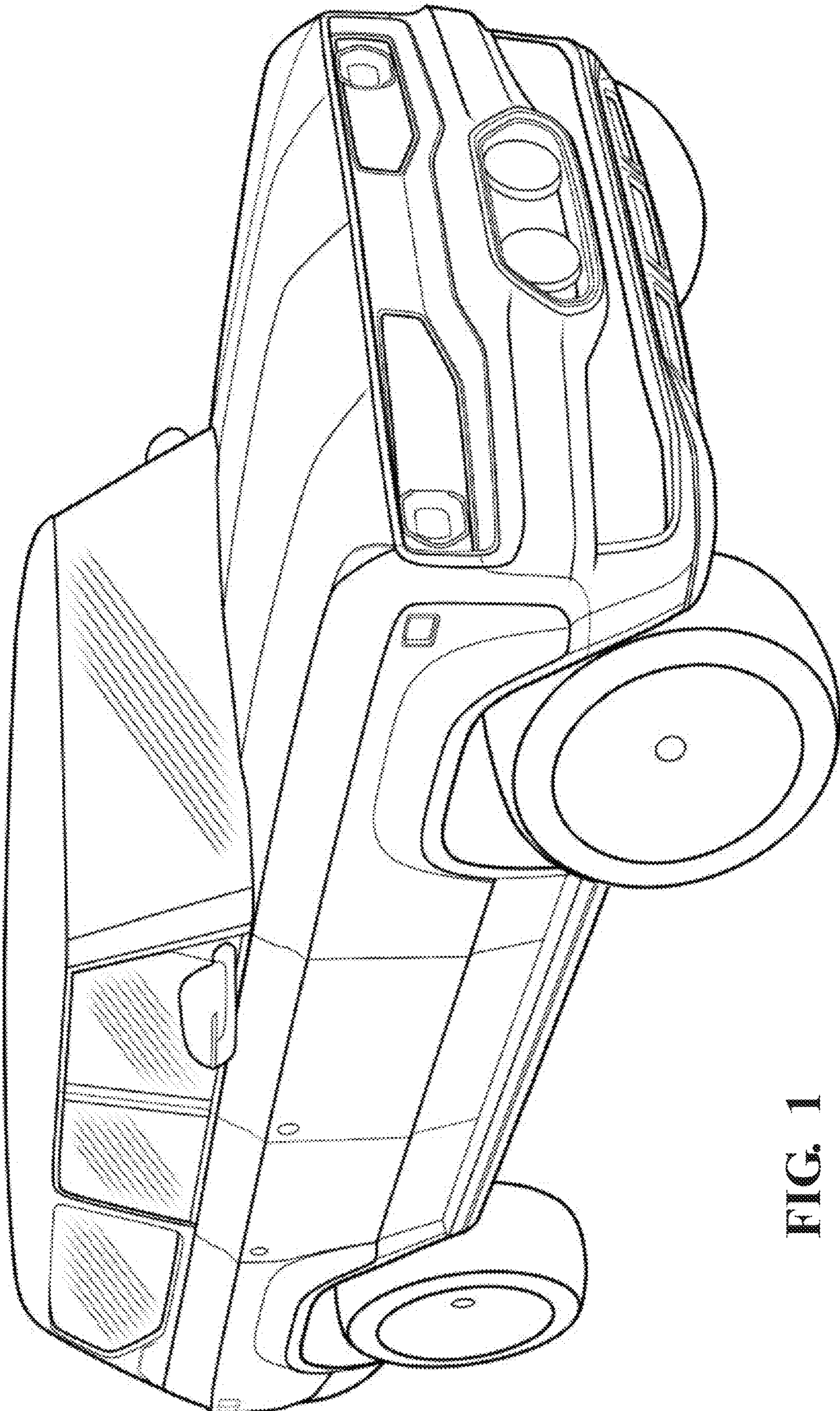


FIG. 1

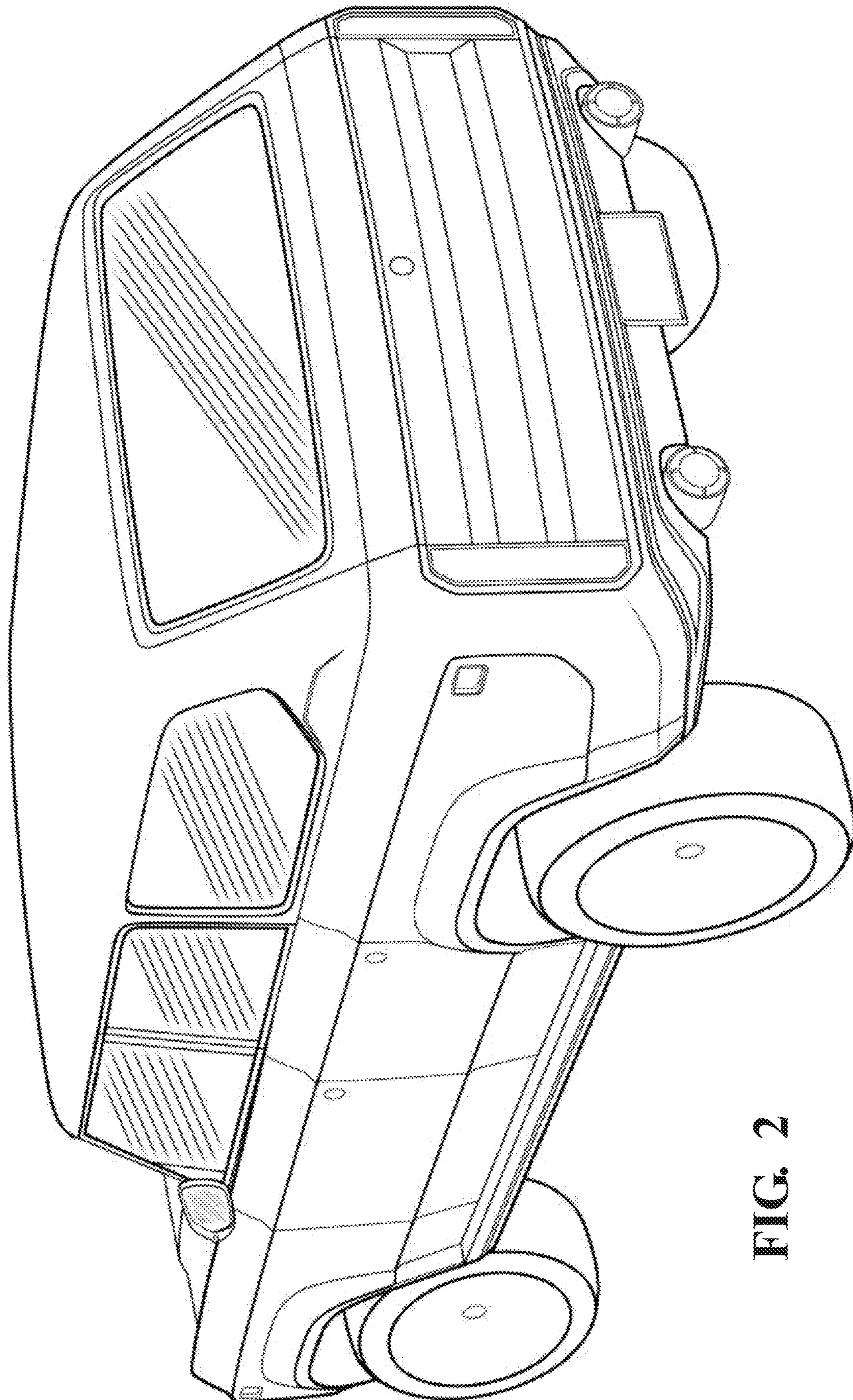


FIG. 2

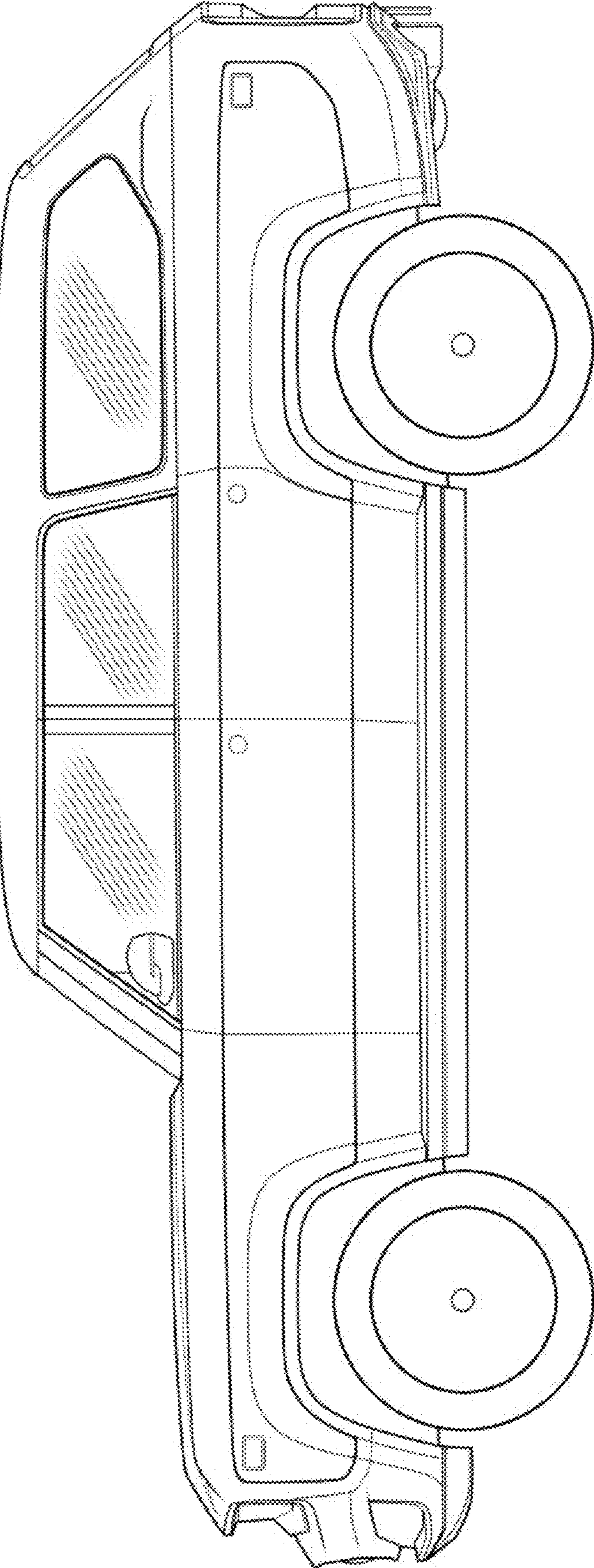


FIG. 3

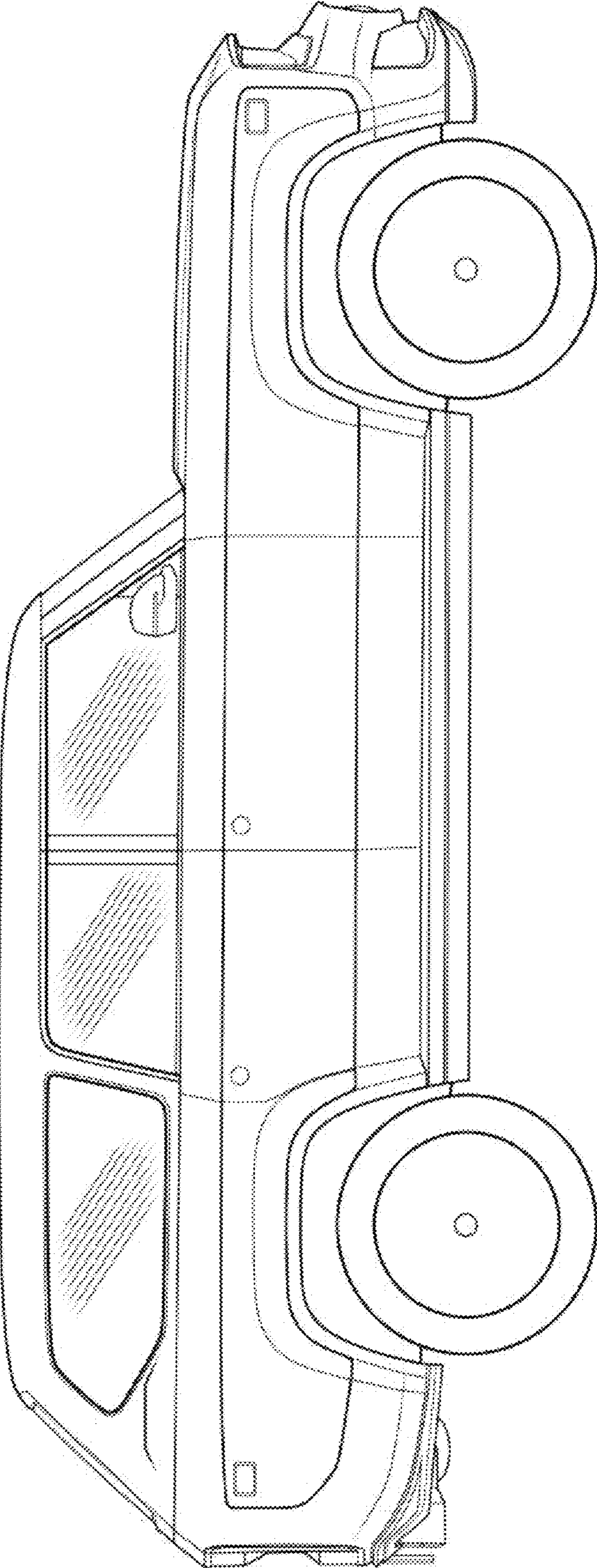


FIG. 4

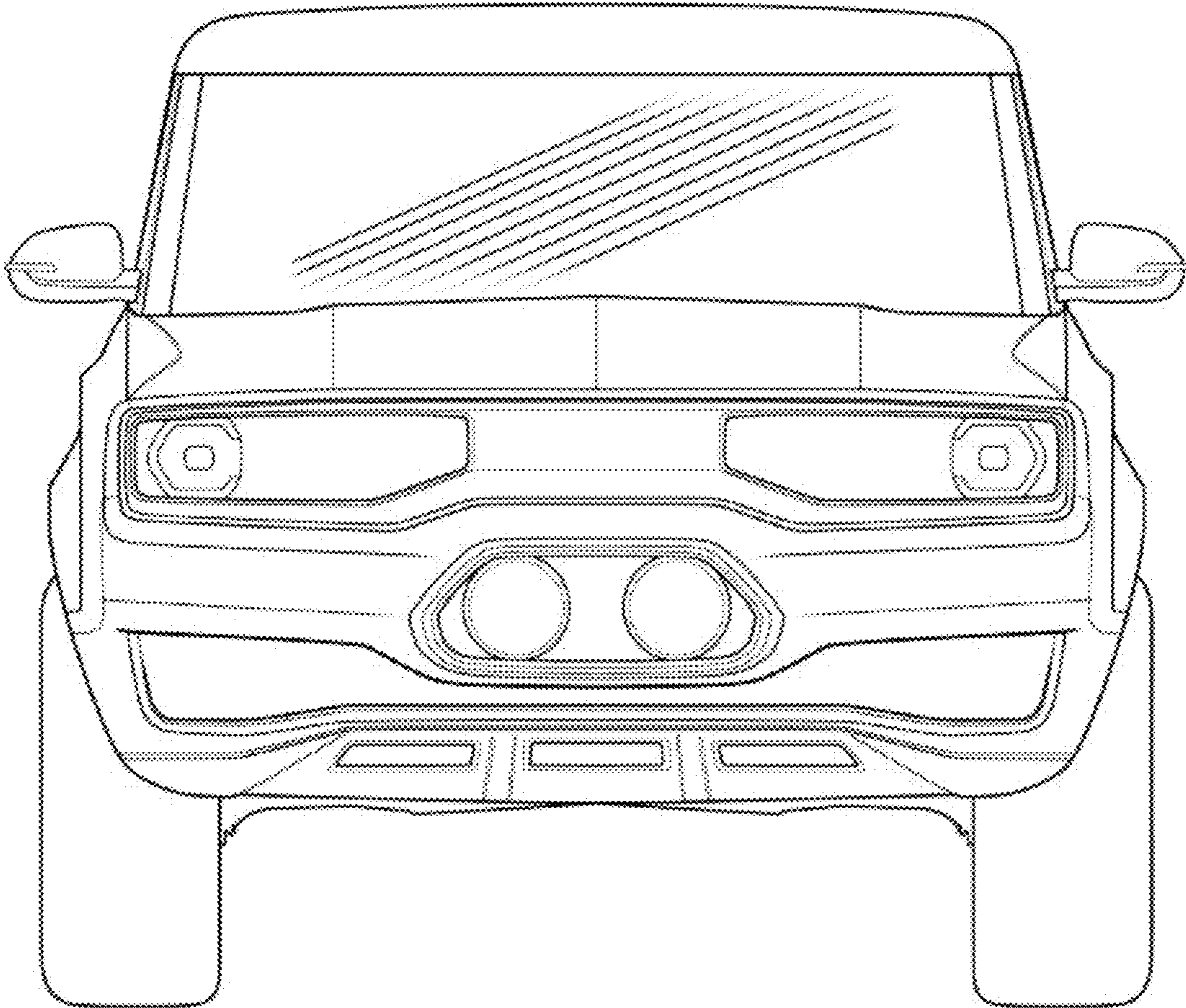


FIG. 5

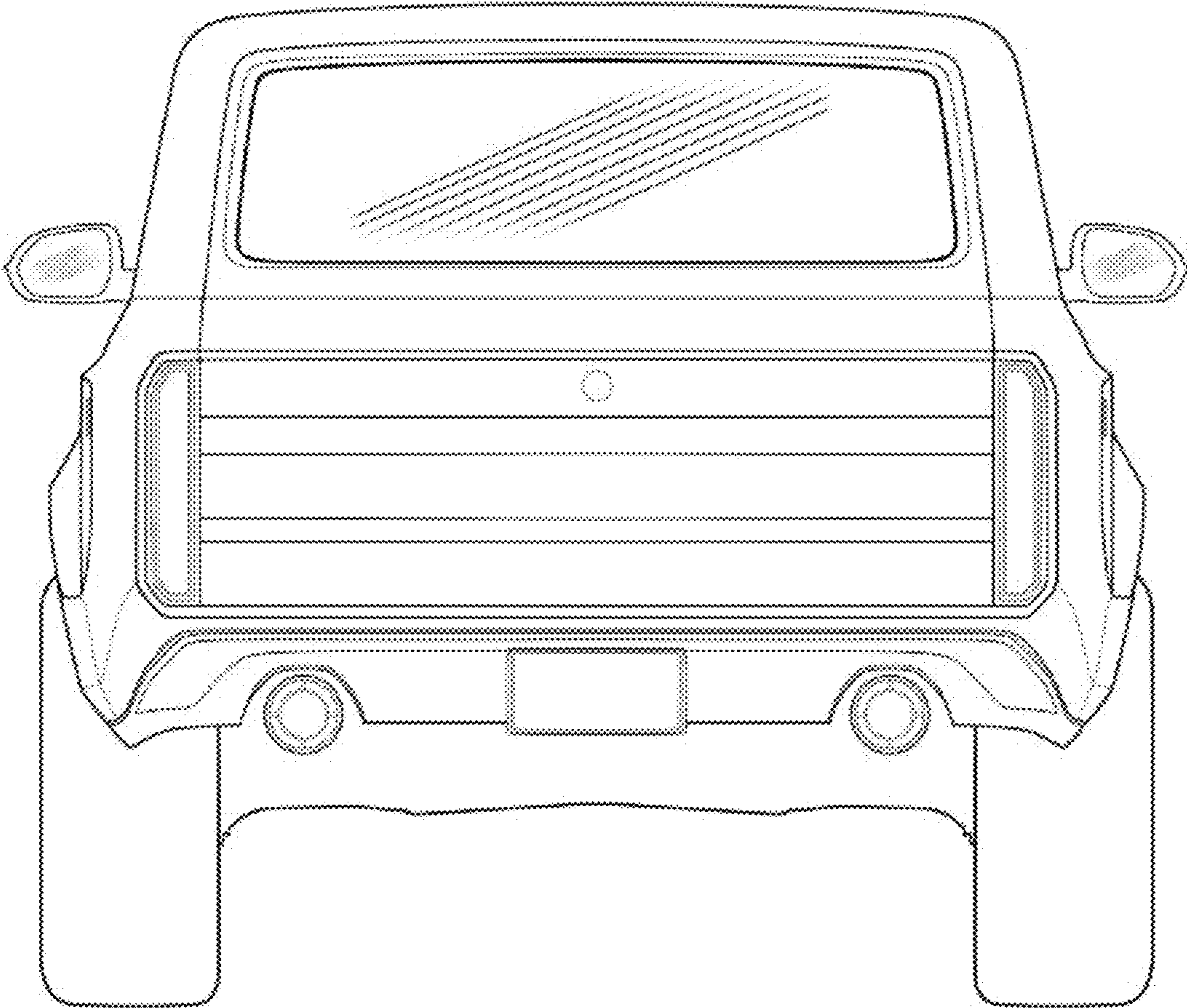


FIG. 6

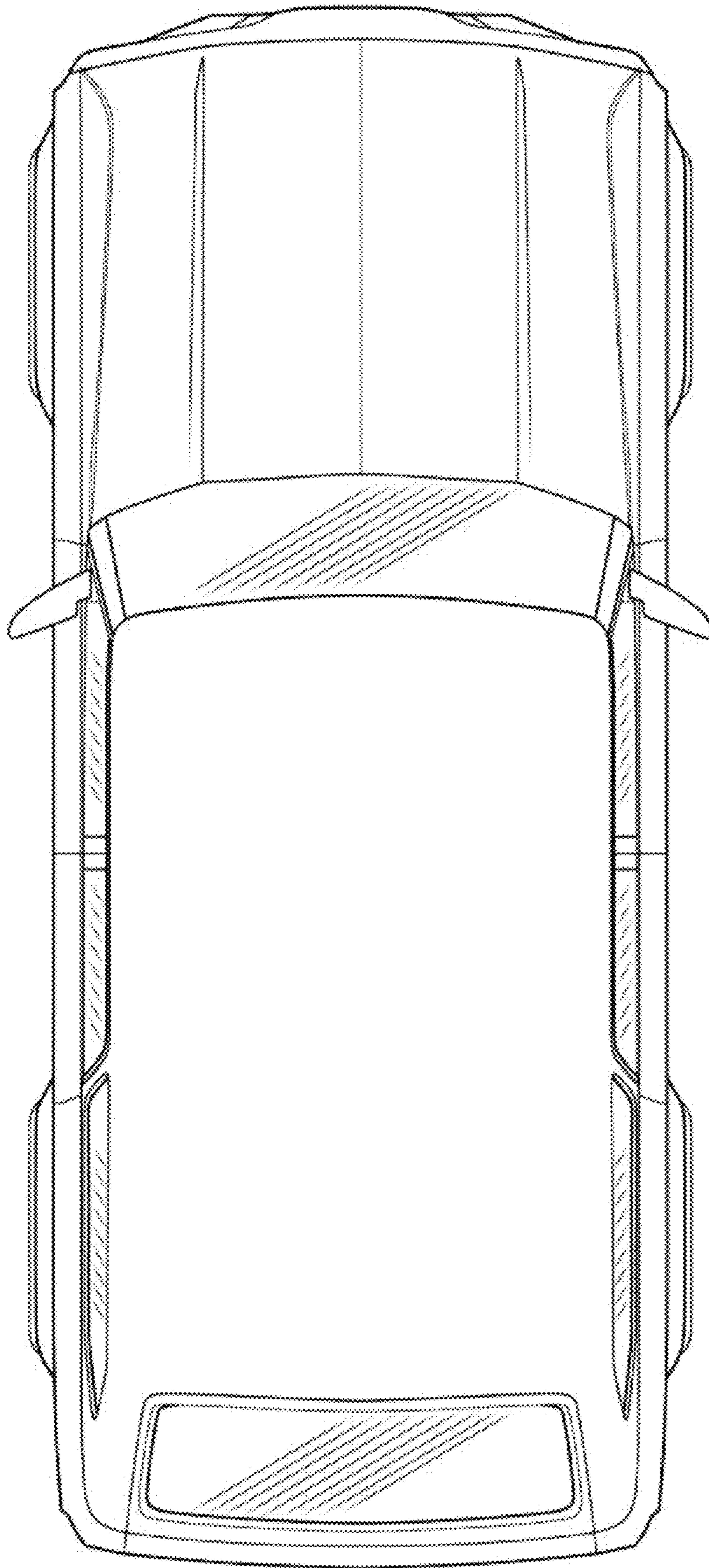


FIG. 7