



US00D950415S

(12) **United States Design Patent**
Kimoto et al.

(10) **Patent No.:** **US D950,415 S**

(45) **Date of Patent:** **** May 3, 2022**

(54) **MOTOR VEHICLE**

(71) Applicant: **MAZDA MOTOR CORPORATION,**
Hiroshima (JP)

(72) Inventors: **Eiji Kimoto,** Hiroshima (JP); **Takeshi Shinohara,** Hiroshima (JP); **Kouhei Kawakami,** Hiroshima (JP); **Young-Joon Suh,** Hiroshima (JP); **Ryousuke Nozaki,** Hiroshima (JP); **Yutaka Sukegawa,** Hiroshima (JP); **Heitetsu Takemoto,** Hiroshima (JP); **Yasuyuki Murata,** Hiroshima (JP)

(73) Assignee: **MAZDA MOTOR CORPORATION,**
Hiroshima (JP)

(**) Term: **15 Years**

(21) Appl. No.: **29/730,944**

(22) Filed: **Apr. 9, 2020**

(51) **LOC (13) Cl.** **12-08**

(52) **U.S. Cl.**
USPC **D12/91; D12/92**

(58) **Field of Classification Search**
USPC D12/86, 90-92, 164; D21/433, 434,
D21/531-535; 296/181.1-181.5, 183.1
CPC B62D 25/00; B62D 25/06; B62D 33/00;
B62D 35/00

See application file for complete search history.

(56) **References Cited**

U.S. PATENT DOCUMENTS

D512,000 S	*	11/2005	Suzuki	D12/91
D573,063 S	*	7/2008	Sawai	D12/92
D649,911 S	*	12/2011	Okumoto	D12/92
D690,619 S	*	10/2013	Jelec	D12/91
D693,274 S	*	11/2013	Tamatani	D12/92
D694,153 S	*	11/2013	Takahashi	D12/92
D696,980 S	*	1/2014	Miyazawa	D12/92

D697,834 S	*	1/2014	Okue	D12/91
D705,700 S	*	5/2014	Chen	D12/91
D711,785 S	*	8/2014	Tabata	D12/92
D718,661 S	*	12/2014	Tabata	D12/91
D731,923 S	*	6/2015	Tanaka	D12/91
D735,078 S	*	7/2015	Tamiya	D12/91
D741,752 S	*	10/2015	Messale	D12/91
D754,031 S	*	4/2016	Talsma	D12/91
D755,676 S	*	5/2016	Yoshimine	D12/91
D765,546 S	*	9/2016	Kimoto	D12/91
D790,404 S	*	6/2017	Iwao	D12/92
D819,493 S	*	6/2018	Tabata	D12/91
D830,909 S	*	10/2018	Lichte	D12/92
D830,910 S	*	10/2018	Tamatani	D12/92
D842,760 S	*	3/2019	Tsuchida	D12/92
D845,174 S	*	4/2019	Iwao	D12/92
D845,835 S	*	4/2019	Tsuchida	D12/91

(Continued)

FOREIGN PATENT DOCUMENTS

EM 6901336-0001 1/2020

Primary Examiner — Melody N Brown

(74) *Attorney, Agent, or Firm* — Studebaker & Brackett PC

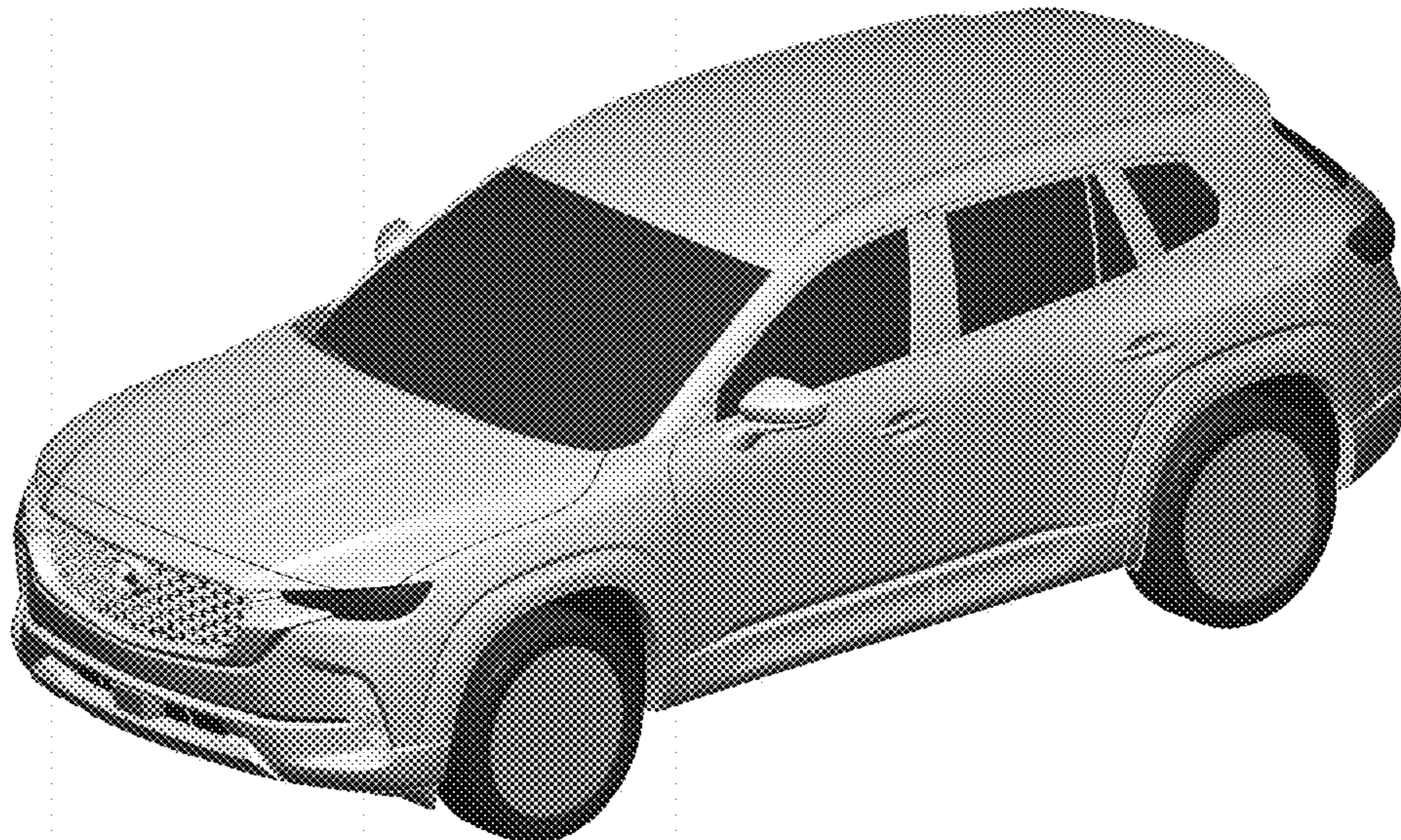
(57) **CLAIM**

The ornamental design for a motor vehicle, as shown and described.

DESCRIPTION

FIG. 1 is a top, front and left side perspective view of a motor vehicle showing our new design; FIG. 2 is a left, front perspective view thereof; FIG. 3 is a top, rear and right side perspective view thereof; FIG. 4 is a right, rear perspective view thereof; FIG. 5 is a front elevational view thereof; FIG. 6 is a rear elevational view thereof; FIG. 7 is a left side elevational view thereof; FIG. 8 is a right side elevational view thereof; and, FIG. 9 is a top plan view thereof.

1 Claim, 8 Drawing Sheets



(56)

References Cited

U.S. PATENT DOCUMENTS

D859,214 S	*	9/2019	Ahn	D12/91
D879,664 S	*	3/2020	Chen	D12/91
D896,127 S	*	9/2020	Yanagisawa	D12/91
D929,257 S	*	8/2021	Matsuda	D12/91

* cited by examiner



FIG. 1



FIG. 2



FIG. 3



FIG.4



FIG. 5

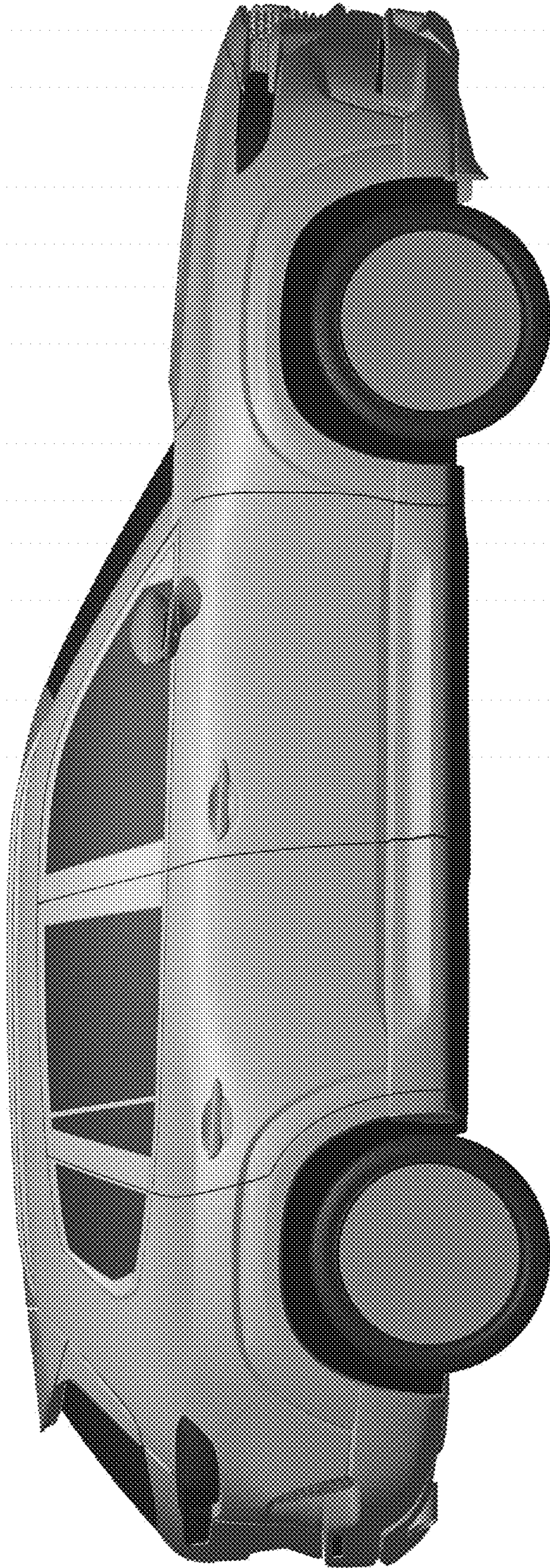


FIG. 6



FIG. 7

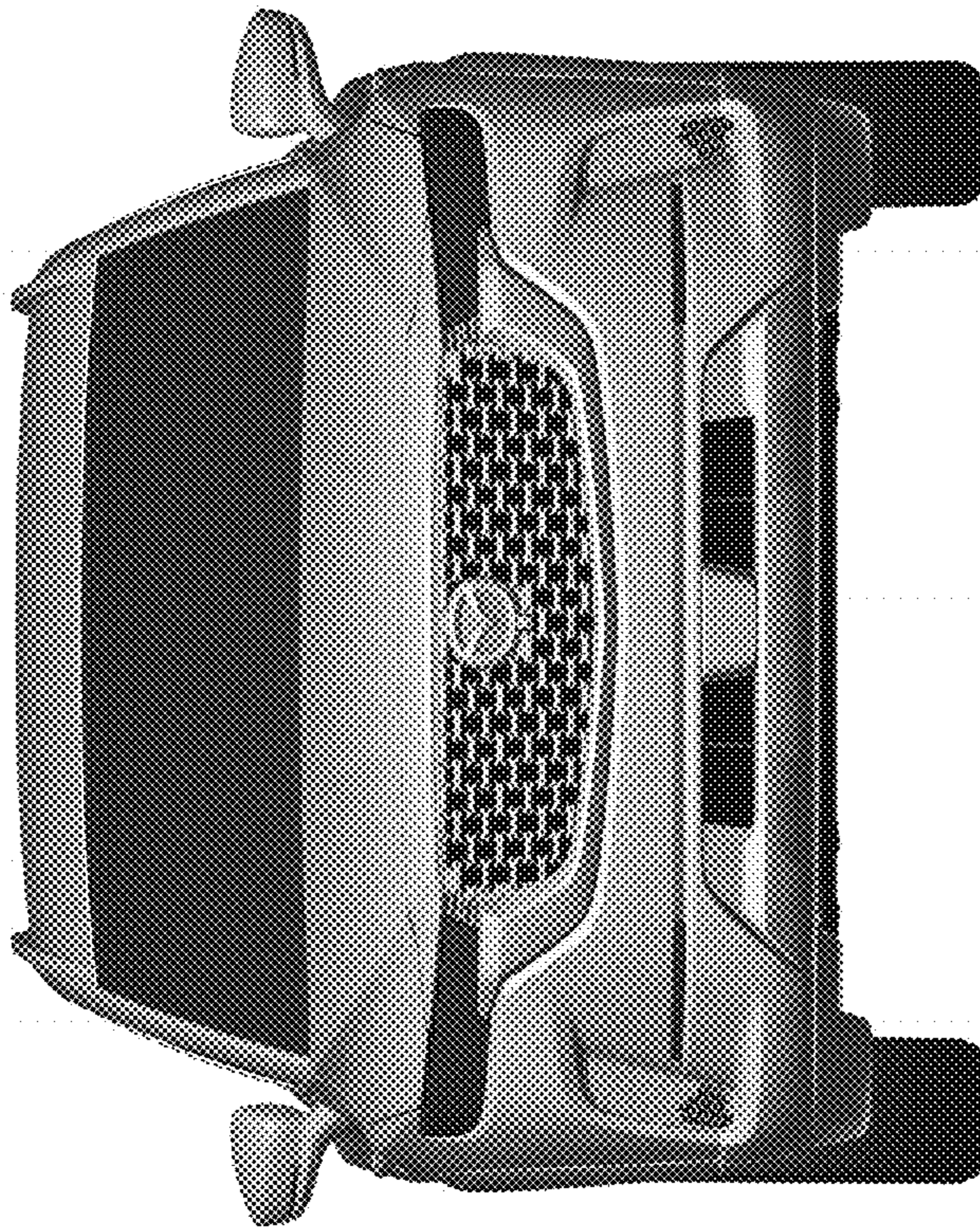


FIG. 8

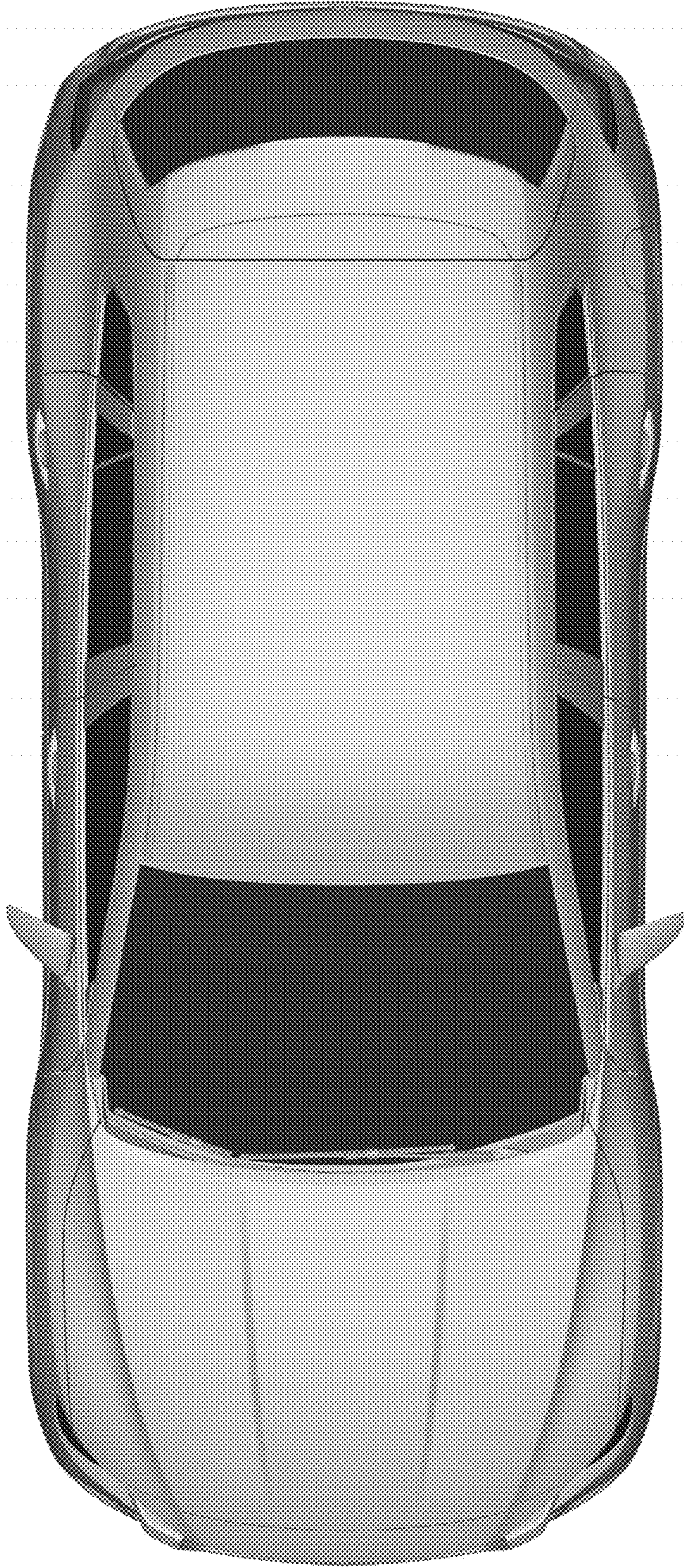


FIG. 9