



US00D950412S

(12) **United States Design Patent**
Keman et al.

(10) **Patent No.:** **US D950,412 S**

(45) **Date of Patent:** **** May 3, 2022**

(54) **ARMORED VEHICLE**

(71) Applicant: **FNSS SAVUNMA SISTEMLERI A.S.**,
Ankara (TR)

(72) Inventors: **Gokhan Keman**, Ankara (TR); **Tolga Yasar Yilmaz**, Ankara (TR); **Arif Madanoglu**, Ankara (TR)

(**) Term: **15 Years**

(21) Appl. No.: **29/754,603**

(22) Filed: **Oct. 13, 2020**

(51) **LOC (13) Cl.** **12-13**

(52) **U.S. Cl.**
USPC **D12/12**

(58) **Field of Classification Search**
USPC D12/1, 12, 93
CPC ... F41H 5/26; F41H 5/023; F41H 7/00; F41H 7/02; F41H 7/048; F41H 7/005; F41H 7/044; F41H 7/042; F41H 5/02
See application file for complete search history.

(56) **References Cited**

U.S. PATENT DOCUMENTS

D526,244 S *	8/2006	LeBlanc, Sr.	D12/12
D526,246 S *	8/2006	LeBlanc, Sr.	D12/12
D526,597 S *	8/2006	Hiltunen	D12/12
D527,684 S *	9/2006	Eckstedt	D12/12

D527,685 S *	9/2006	LeBlanc, Sr.	D12/12
D527,686 S *	9/2006	LeBlanc, Sr.	D12/12
D527,687 S *	9/2006	LeBlanc, Sr.	D12/12
D527,688 S *	9/2006	LeBlanc, Sr.	D12/12
D790,397 S *	6/2017	Khoroushi	D12/12
2006/0005695 A1*	1/2006	Honlinger	B62D 53/045 89/36.08
2006/0237251 A1*	10/2006	LeBlanc Sr.	F41H 7/02 180/252
2015/0284831 A1*	10/2015	Kropfl	F41H 5/023 148/552

* cited by examiner

Primary Examiner — Ania Aman

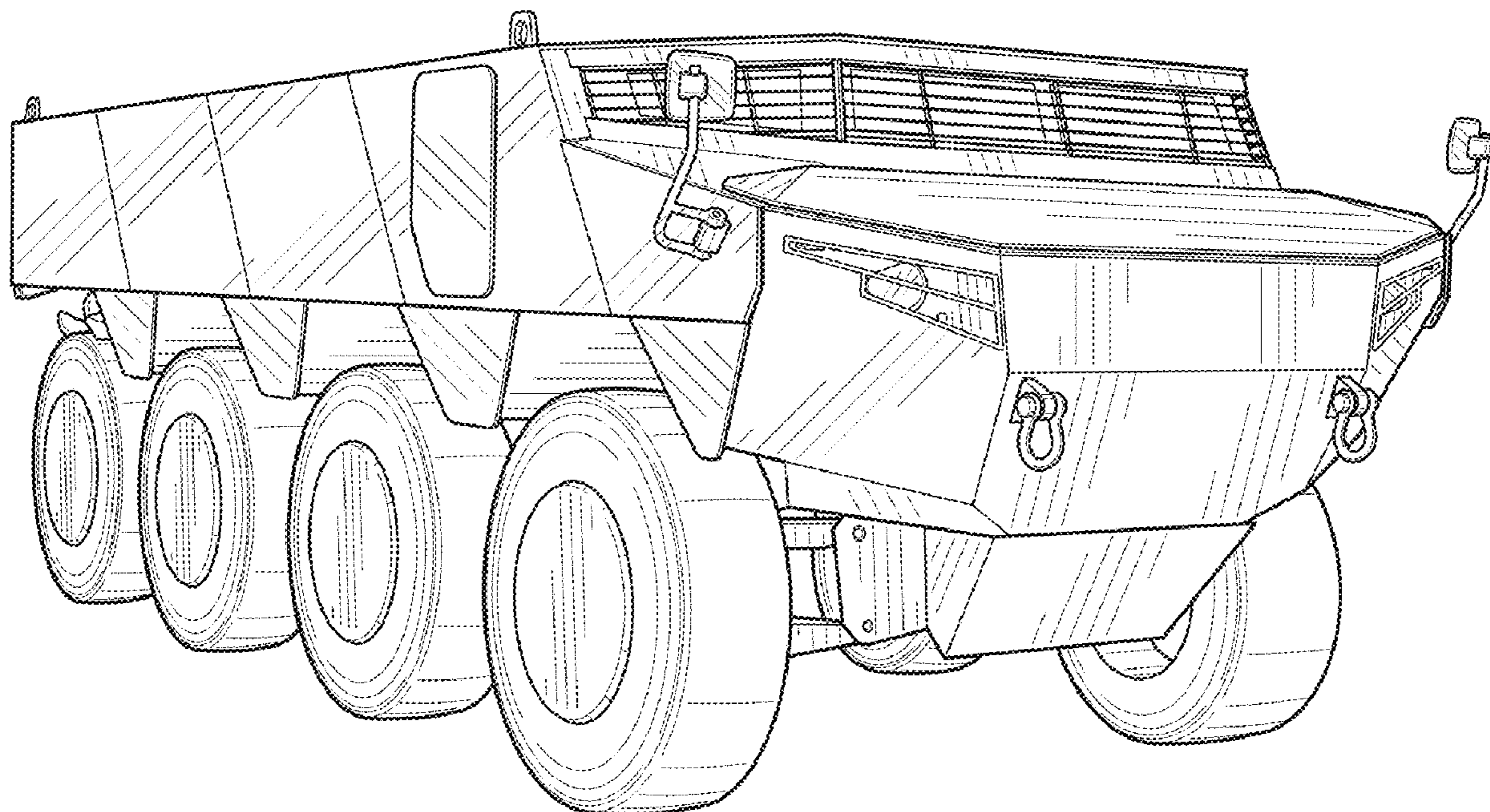
(57) **CLAIM**

The ornamental design for an armored vehicle, as shown and described.

DESCRIPTION

FIG. 1 is a front view of an armored vehicle showing our new design.
FIG. 2 is a rear view thereof;
FIG. 3 is a top view thereof;
FIG. 4 is a left side view thereof;
FIG. 5 is a front and left side perspective view thereof;
FIG. 6 is a rear and left side perspective view thereof; and,
FIG. 7 is a top, front and right side perspective view thereof.
The broken lines in FIGS. 1, 2 and 4 illustrate portions of the armored vehicle that form no part of the claimed design.

1 Claim, 4 Drawing Sheets



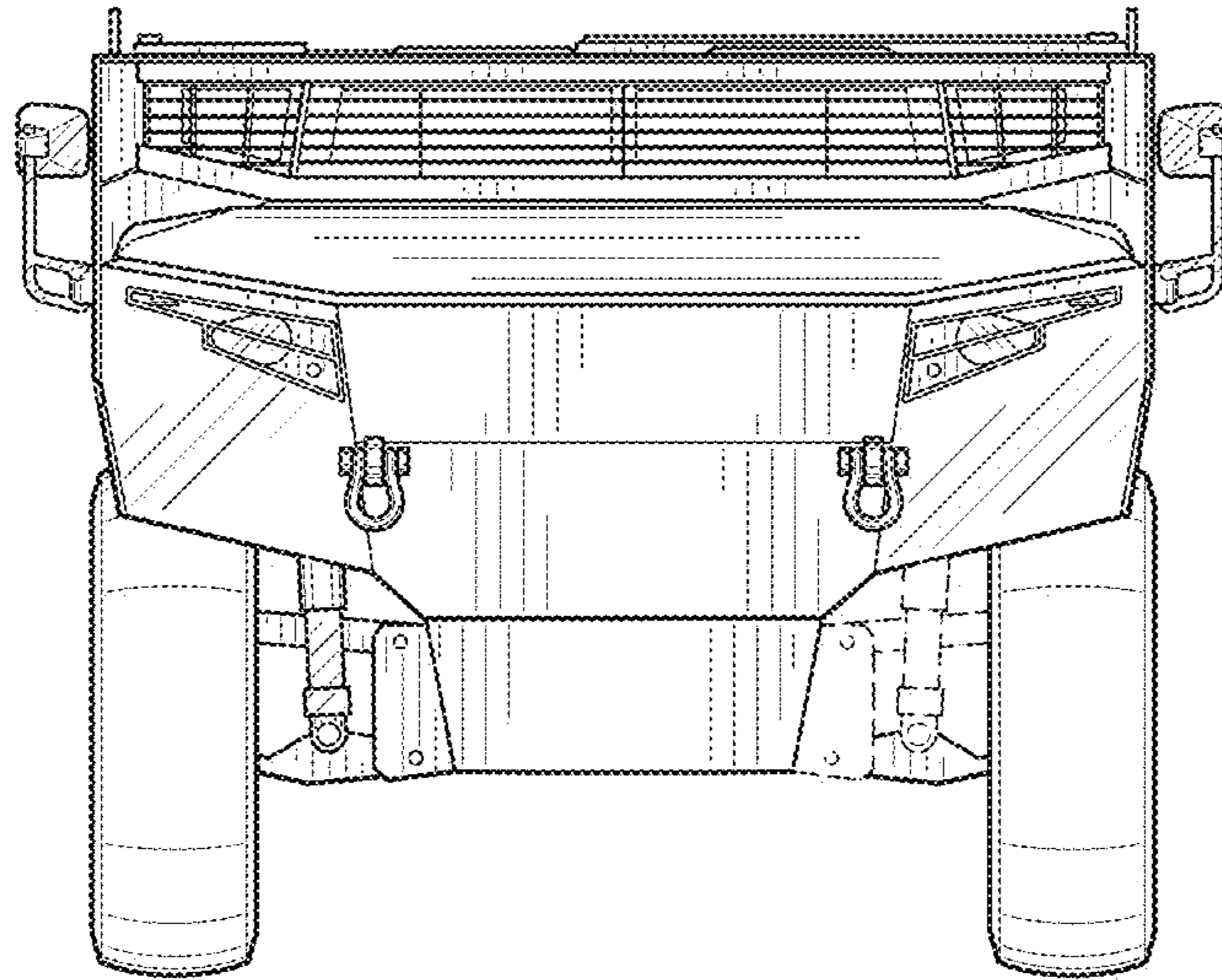


FIG. 1

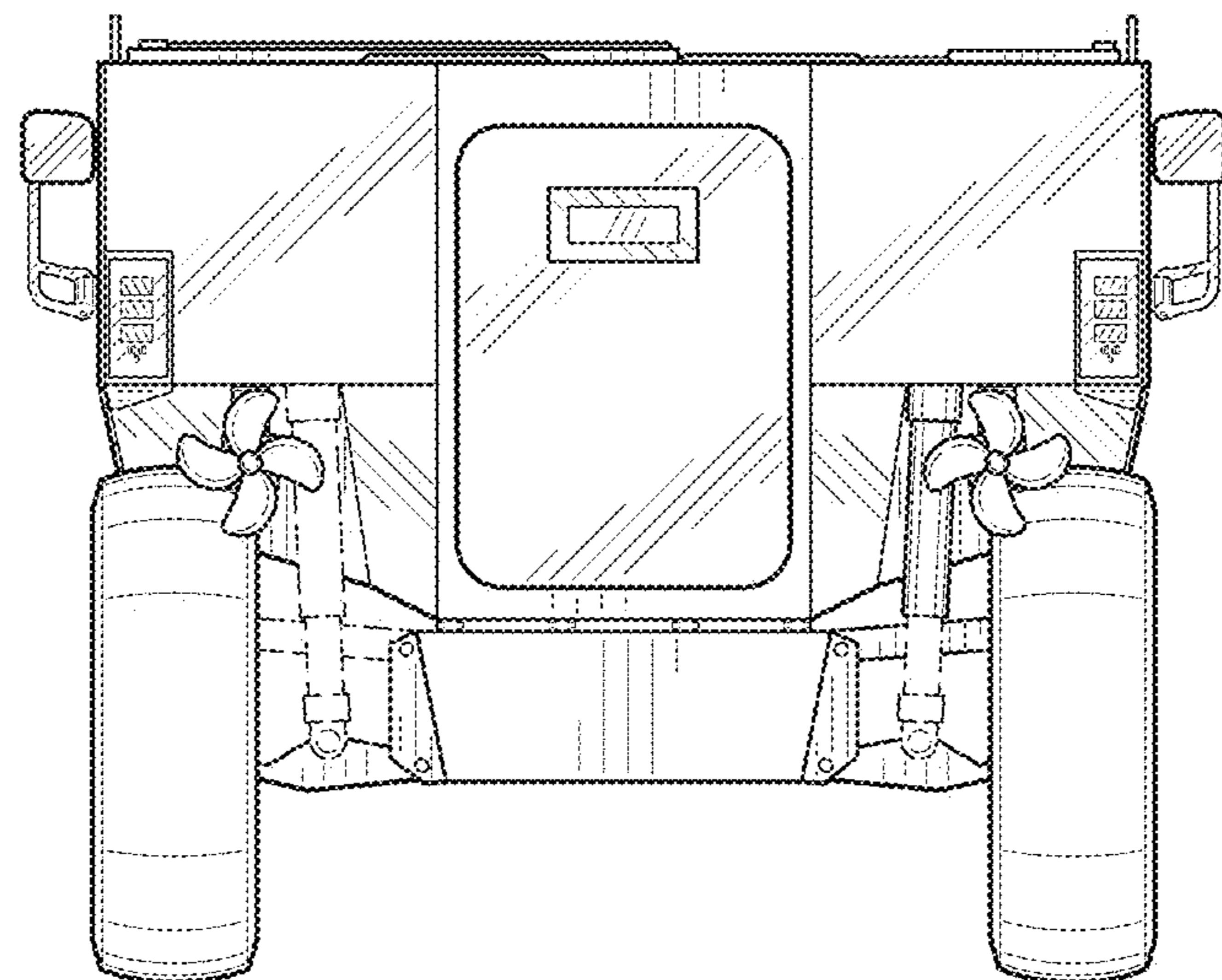


FIG. 2

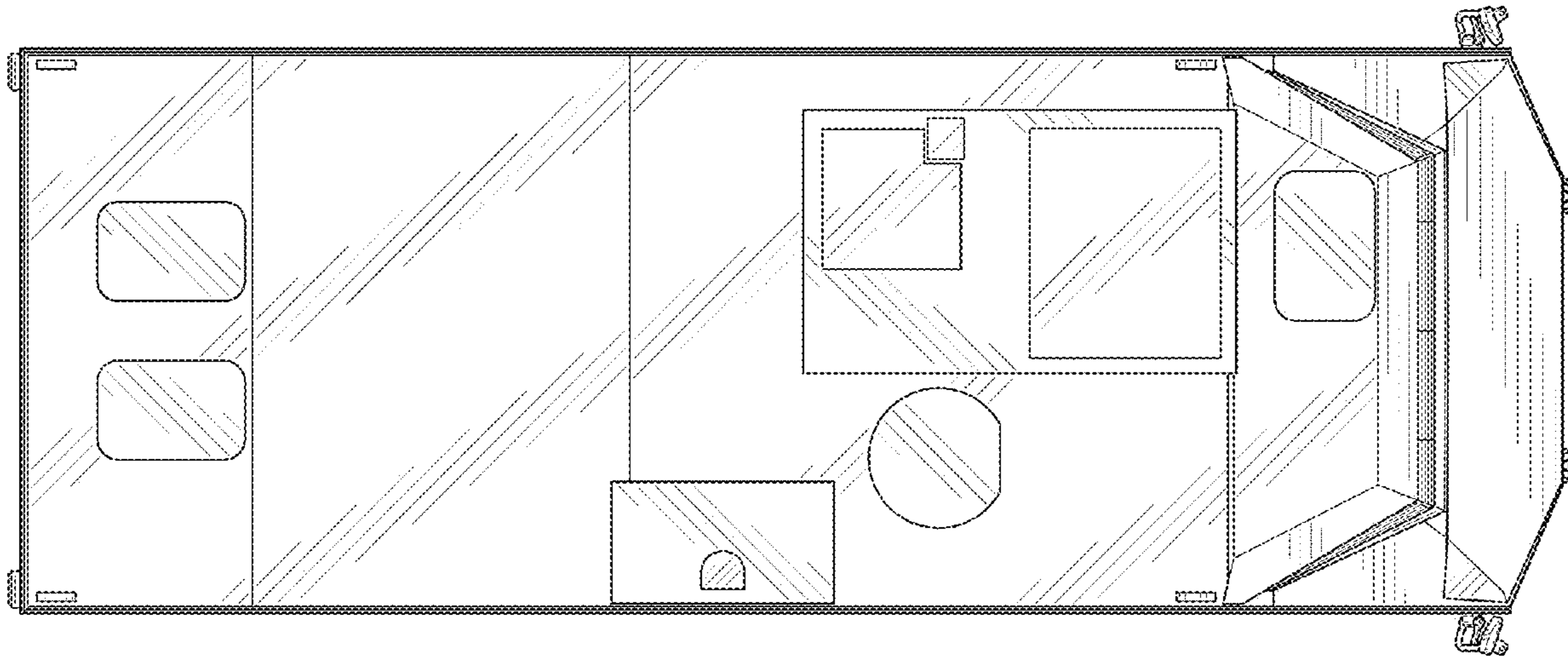


FIG. 3

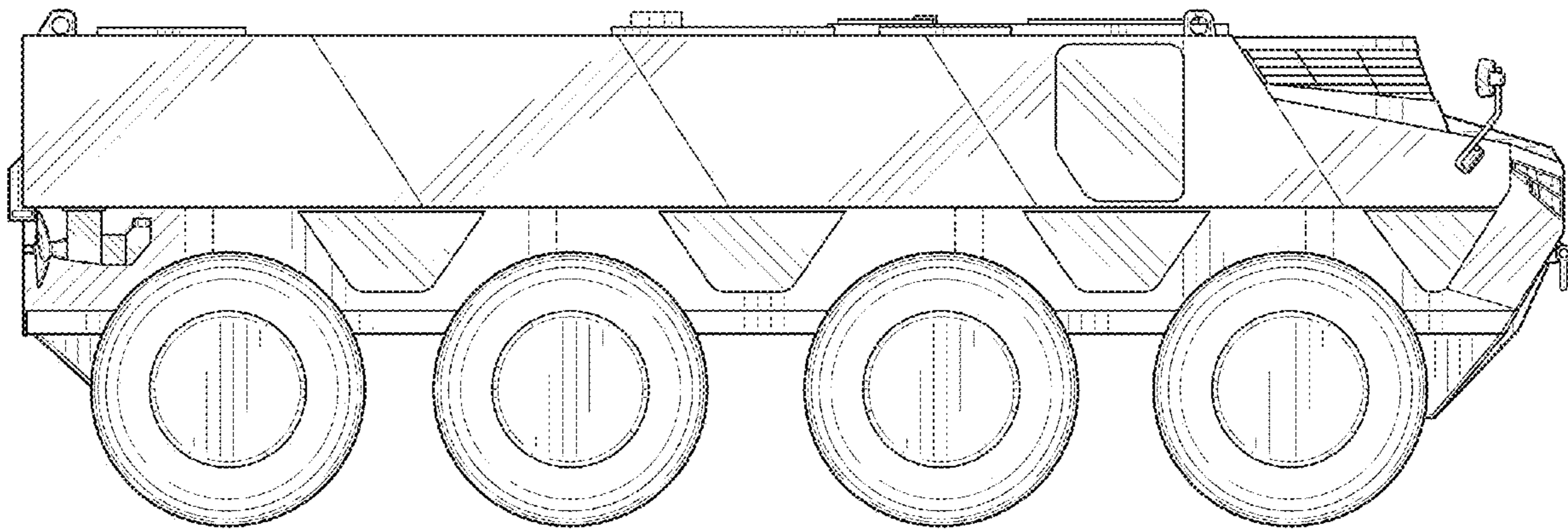


FIG. 4

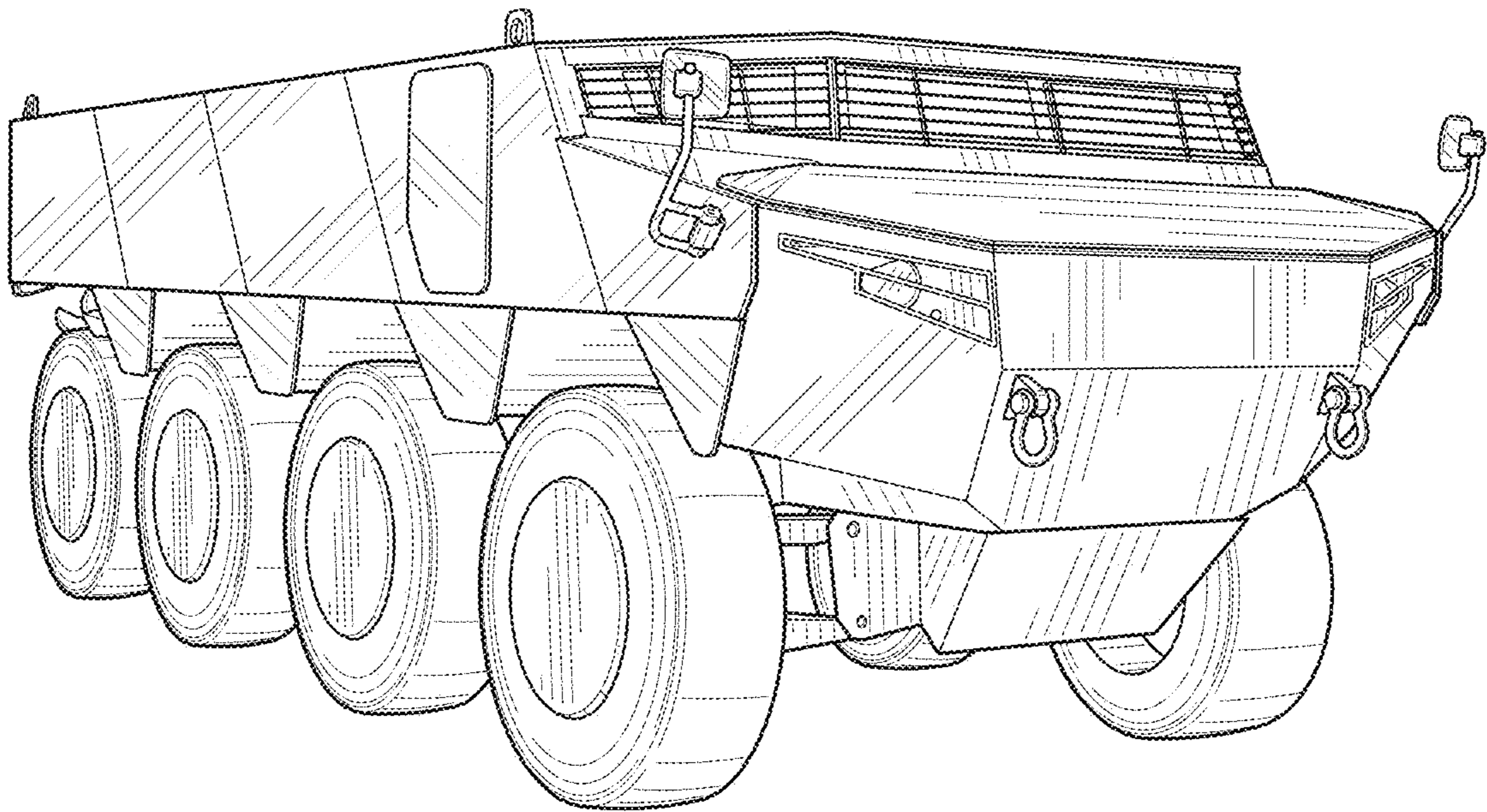


FIG. 5

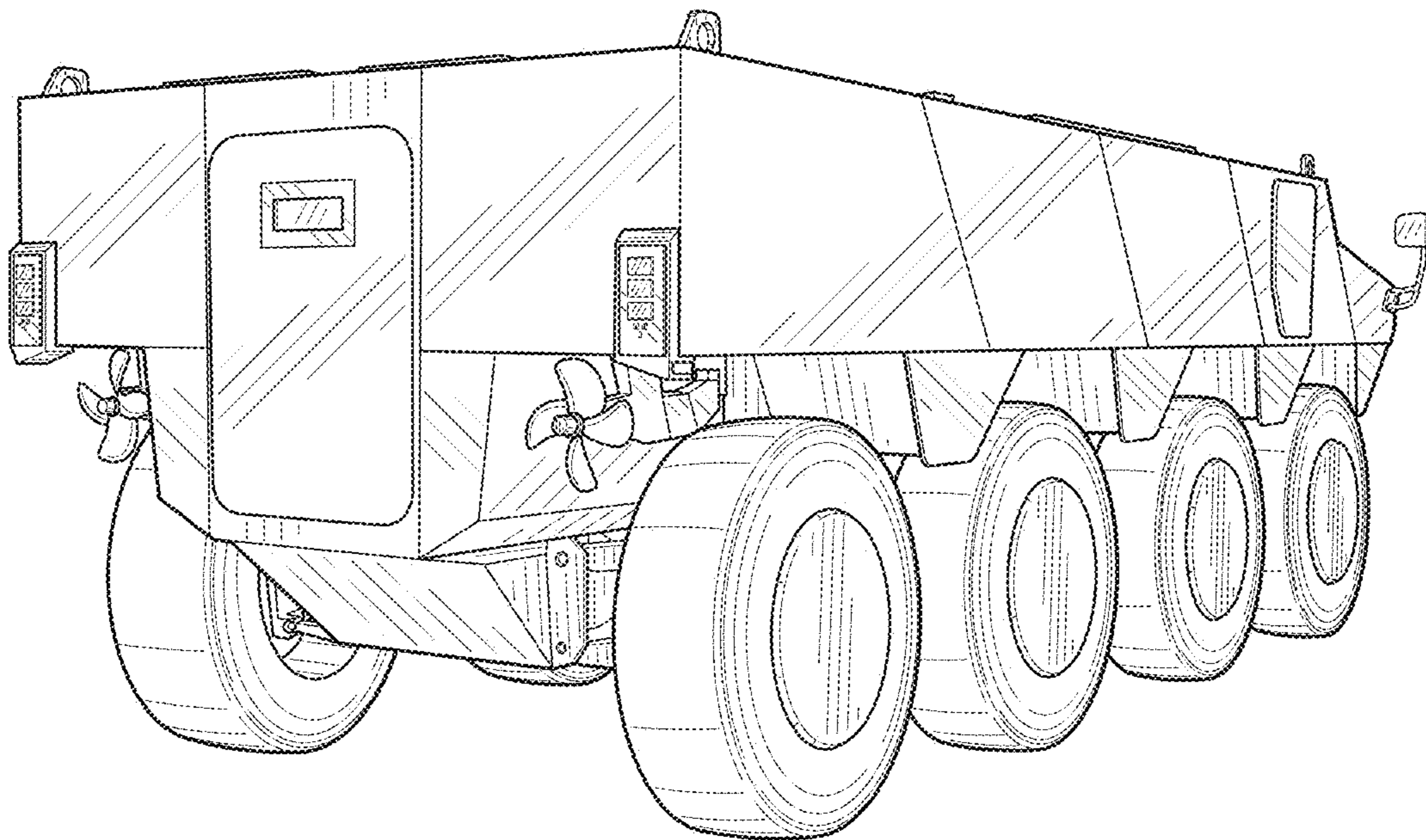


FIG. 6

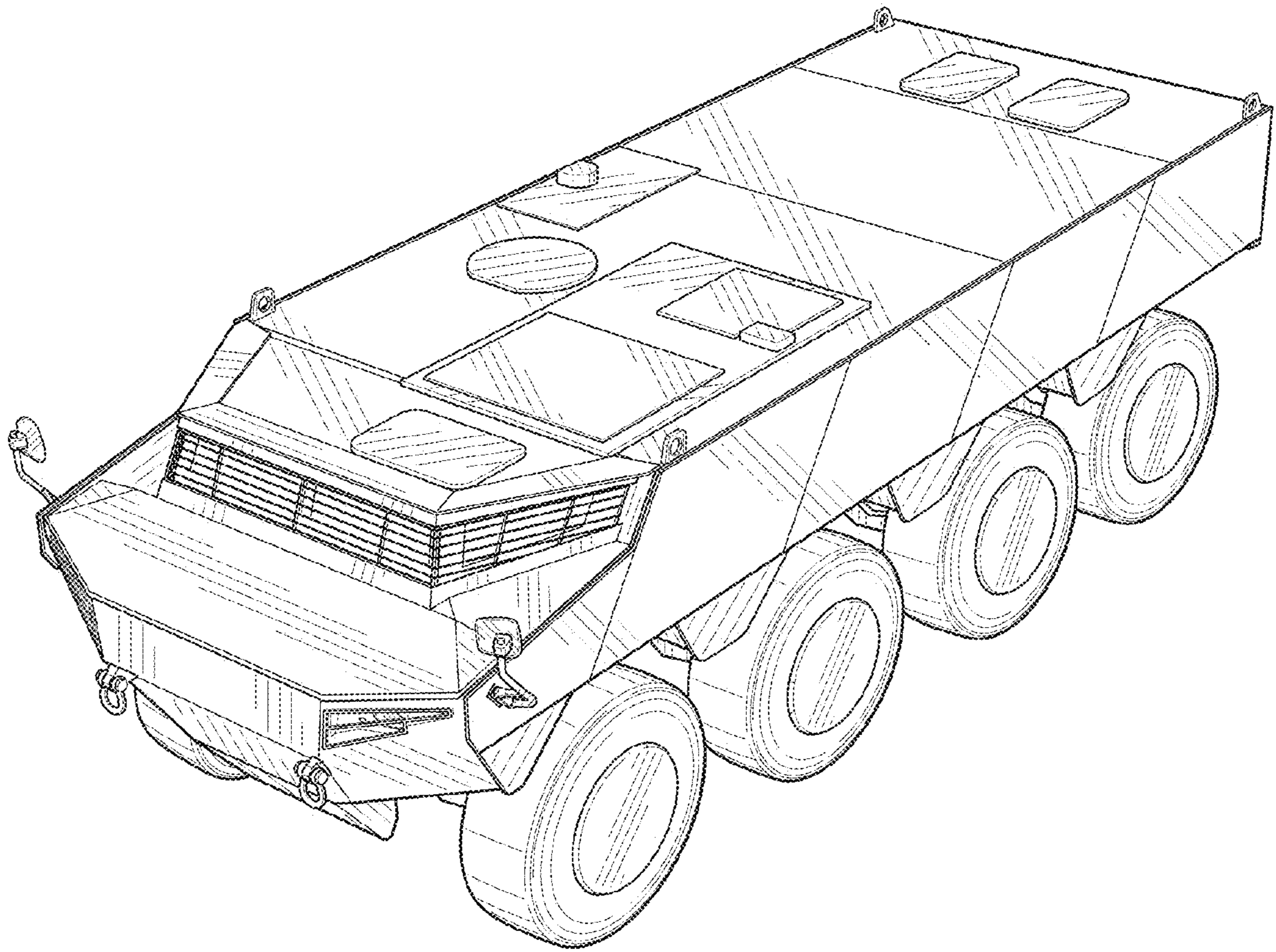


FIG. 7