



US00D950408S

(12) **United States Design Patent** (10) **Patent No.:** **US D950,408 S**  
**Adamowicz et al.** (45) **Date of Patent:** **\*\* May 3, 2022**

(54) **BURGLAR ALARM COMPONENT**

(56) **References Cited**

(71) Applicant: **EBS Spolka z ograniczona odpowiedzialnoscia 3E Production Spolka komandytowa, Elk (PL)**

U.S. PATENT DOCUMENTS

D297,518 S \* 9/1988 Yuen ..... D10/106.1  
D302,951 S \* 8/1989 Kotlicki ..... D10/106.6

(Continued)

(72) Inventors: **Norbert Adamowicz, Elk (PL); Lukasz Tabakowski, Elk (PL)**

FOREIGN PATENT DOCUMENTS

(73) Assignee: **International Tobacco Machinery Poland Sp. z.o.o., Radom (PL)**

WO WO-D064165-005 \* 4/2003

(\*\*) Term: **15 Years**

OTHER PUBLICATIONS

(21) Appl. No.: **35/508,356**

Amazon, Olympia Protect Funk-Alarmanlage, posted Mar. 22, 2015, [online], [visited Dec. 4, 2020]. Internet, <URL: https://www.amazon.de/Olympia-Alarmanlage-Au%C3%9Fensirene-Bewegungsmelder-Fernbedienung/dp/B00Y2SV9E2/ref> (Year: 2015).\*

(22) Filed: **Jun. 19, 2019**

(Continued)

(80) **Hague Agreement Data**

Int. Filing Date: **Jun. 19, 2019**

*Primary Examiner* — Sheryl Lane

Int. Reg. No.: **DM/205177**

*Assistant Examiner* — Samantha N Wood

Int. Reg. Date: **Jun. 19, 2019**

(74) *Attorney, Agent, or Firm* — Margaret Polson; Polson Intellectual Property Law, PC

Int. Reg. Pub. Date: **Jan. 17, 2020**

(57) **CLAIM**

(30) **Foreign Application Priority Data**

The ornamental design for a burglar alarm component, as shown and described.

Dec. 21, 2018 (EP) ..... 005942158-0001  
Dec. 21, 2018 (EP) ..... 005942158-0002  
Dec. 21, 2018 (EP) ..... 005942158-0003  
Dec. 21, 2018 (EP) ..... 005942158-0004  
Dec. 21, 2018 (EP) ..... 005942158-0005  
Dec. 21, 2018 (EP) ..... 005942158-0006  
Dec. 21, 2018 (EP) ..... 005942158-0007  
Dec. 21, 2018 (EP) ..... 005942158-0008

**DESCRIPTION**

(51) **LOC (13) Cl.** ..... **10-05**

(52) **U.S. Cl.**  
USPC ..... **D10/106.6**

(58) **Field of Classification Search**  
USPC ..... D10/104.1, 106.1, 106.2, 106.3, 106.4,  
D10/106.5, 106.6, 106.7, 106.8, 106.9,  
(Continued)

**3.1** is a perspective view of our new design for a burglar alarm component.

**3.2** is left side elevation view of Figure.3.1

**3.3** is a bottom plan view of Figure.3.1

**3.4** is a top plan view of Figure.3.1

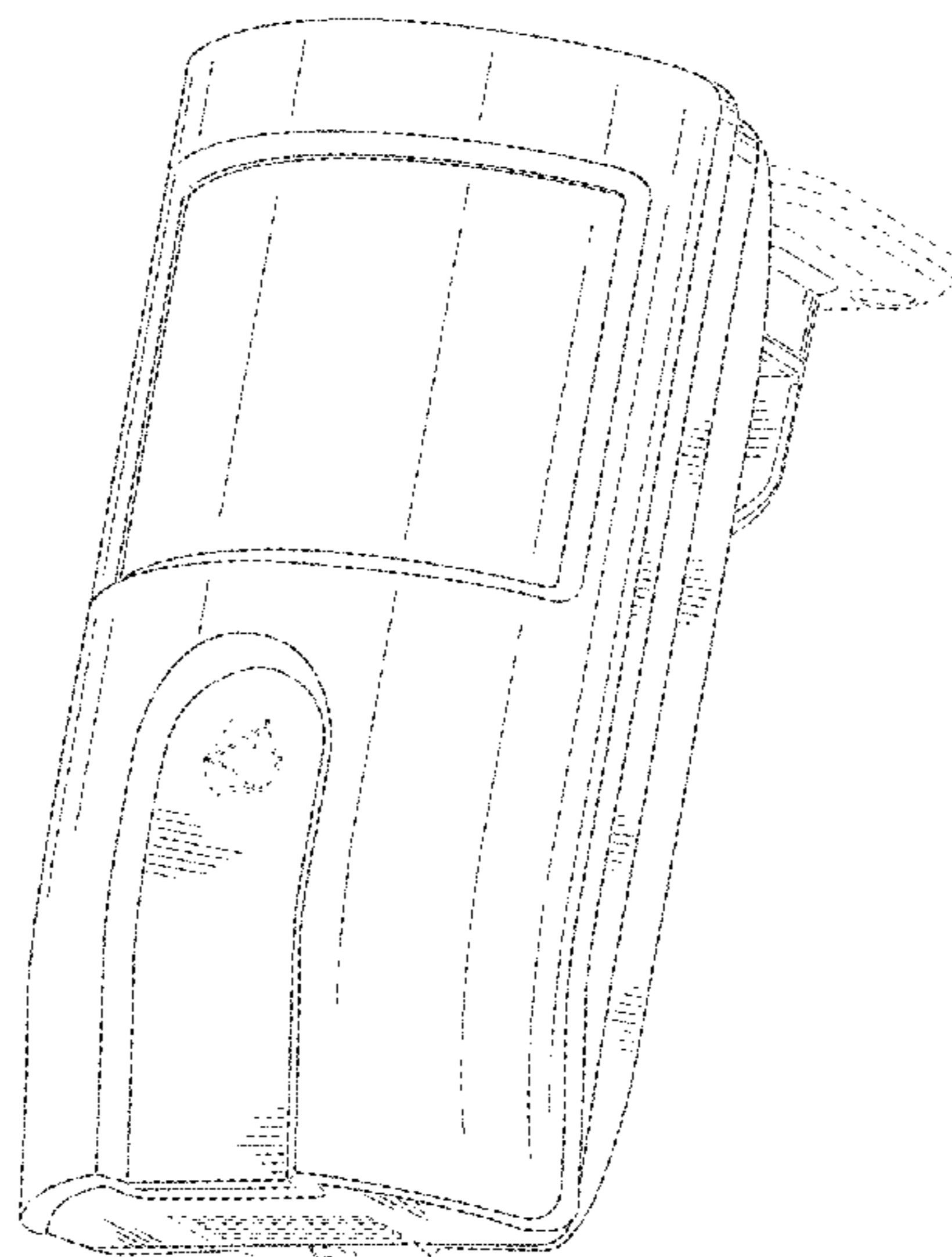
**3.5** is a second perspective view of Figure.3.1

**3.6** is a front elevation view of Figure.3.1

**3.7** is a rear elevation view of Figure.3.1

The features shown in broken lines in the drawing depict portions of the part of the burglar alarm component and form no part of the claimed design.

**1 Claim, 7 Drawing Sheets**



(58) **Field of Classification Search**

USPC ... D10/106.95, 106.91, 106.93, 106.94, 121,  
D10/103; D14/242, 383, 385, 387, 390;  
D13/164, 162  
CPC .. G08B 13/00; G08B 13/06; G08B 13/19689;  
G08B 13/16; G08B 13/22; G06F 3/00;  
G06F 3/02; G06F 3/03; G06F 3/05  
See application file for complete search history.

D666,509 S \* 9/2012 Beland ..... D10/50  
D682,243 S \* 5/2013 Yoo ..... D14/138 AA  
D728,675 S \* 5/2015 Daniel ..... D18/4.6  
D738,753 S \* 9/2015 Edgar ..... D10/50  
D764,335 S \* 8/2016 Thornton ..... D10/106.6  
D782,349 S \* 3/2017 Konotopskyi ..... D10/70  
D793,262 S \* 8/2017 Geskin Zinovi ..... D10/104.1  
D835,970 S \* 12/2018 Morstatt ..... D8/331  
D843,246 S \* 3/2019 Sinha ..... D10/60  
D854,876 S \* 7/2019 Zou ..... D7/367

(56)

**References Cited**

U.S. PATENT DOCUMENTS

D303,638 S \* 9/1989 Andrews, Sr. .... D10/106.1  
D312,054 S \* 11/1990 Melman ..... D10/106.6  
D359,459 S \* 6/1995 Summa ..... D10/49  
5,463,595 A \* 10/1995 Rodhall ..... A01M 29/18  
340/426.23  
D370,663 S \* 6/1996 Swain ..... D13/168  
D373,998 S \* 9/1996 Tutt ..... D13/168  
D399,155 S \* 10/1998 Roberts ..... D10/106.6  
D409,936 S \* 5/1999 Baldwin ..... D10/106.6  
D429,696 S \* 8/2000 Taylor ..... D10/106.1  
D459,264 S \* 6/2002 Wong ..... D10/106.7  
D610,553 S \* 2/2010 Makela ..... D13/162  
D628,103 S \* 11/2010 Schmalz ..... D10/70

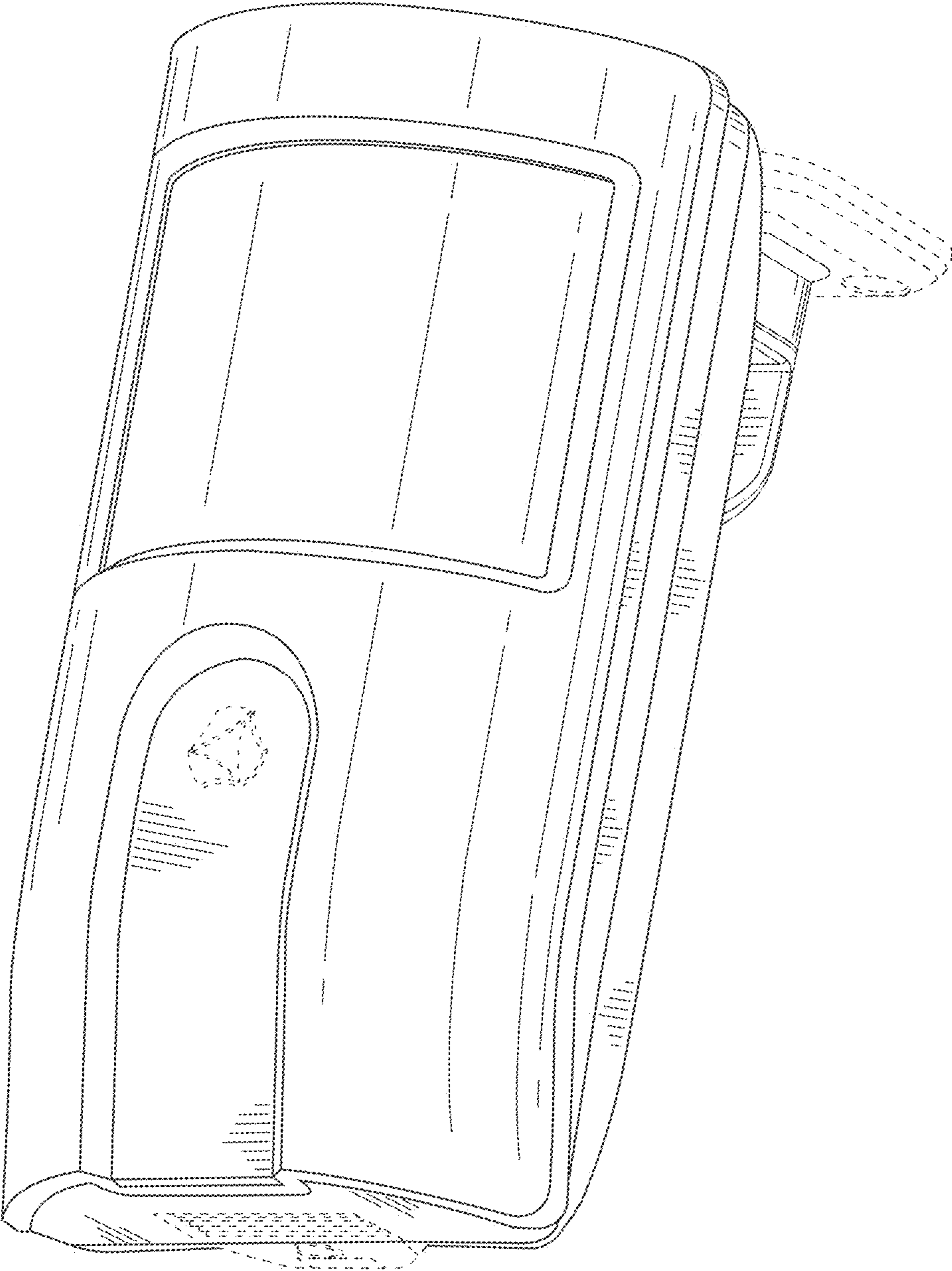
OTHER PUBLICATIONS

Amazon, Tiiwee Fenster, posted Apr. 5, 2018, [online], [visited Dec. 4, 2020], Internet, <URL: <https://www.amazon.de/tiiwee-Fenster-Sensor-TWWS02-System/dp/B07CBLVMS4/ref>> (Year: 2018).\*

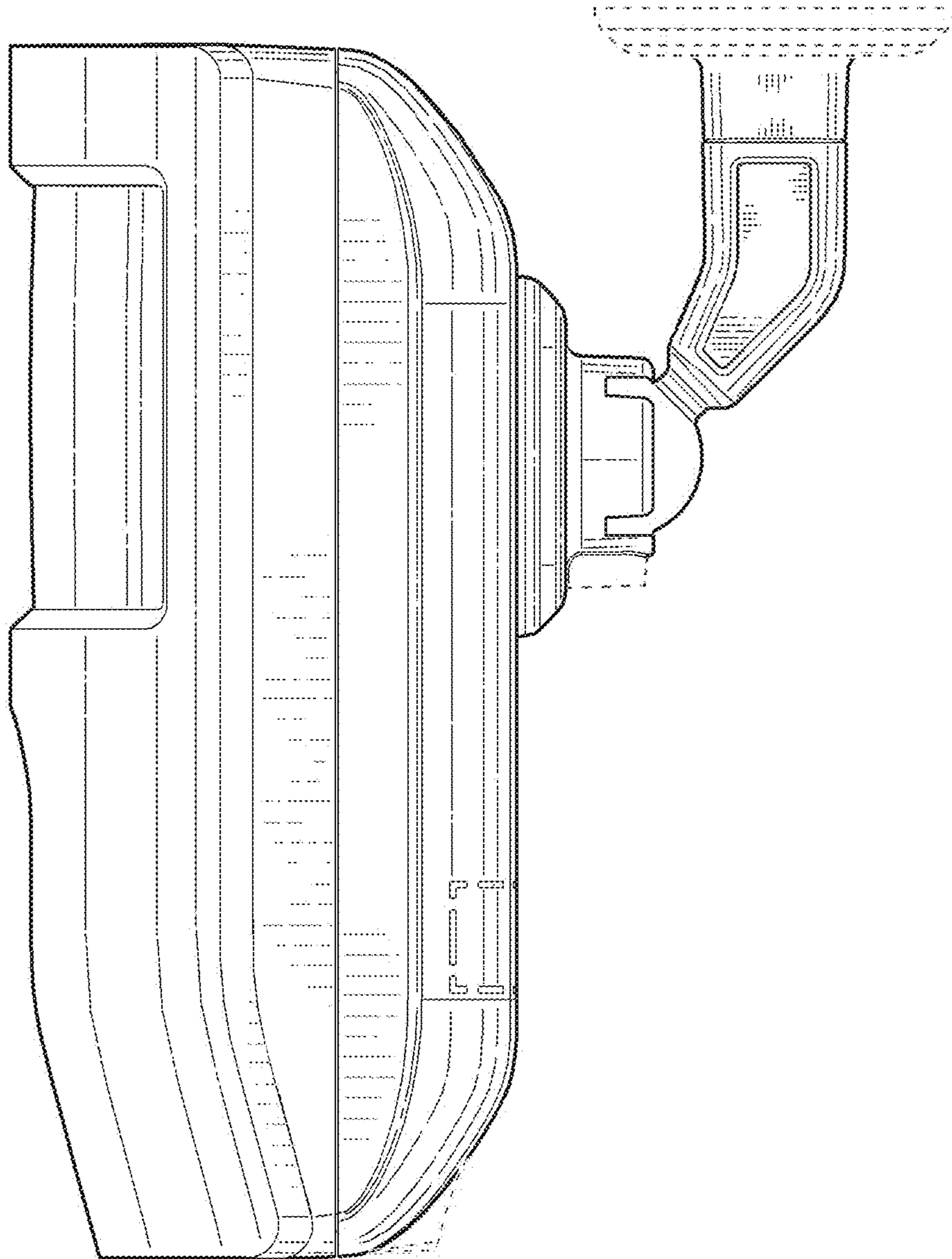
Amazon, Olympia 6100 Komfort, posted Jul. 24, 2017, [online], [visited Dec. 4, 2020]. Internet, <URL: <https://www.amazon.de/OLYMPIA-6100-Fernbedienung-Alarmanlagen-ProHome-Serie/dp/B0746RPGXG/ref>> (Year: 2017).\*

Amazon, Wolf-Guard Motion Sensor, posted Jan. 26, 2018, [online], [visited Mar. 16, 2021]. Internet, <URL: <https://www.amazon.co.uk/Wolf-Guard-433MHz-Motion-Sensor-Detector/dp/B077QH18YT/ref>> (Year: 2018).\*

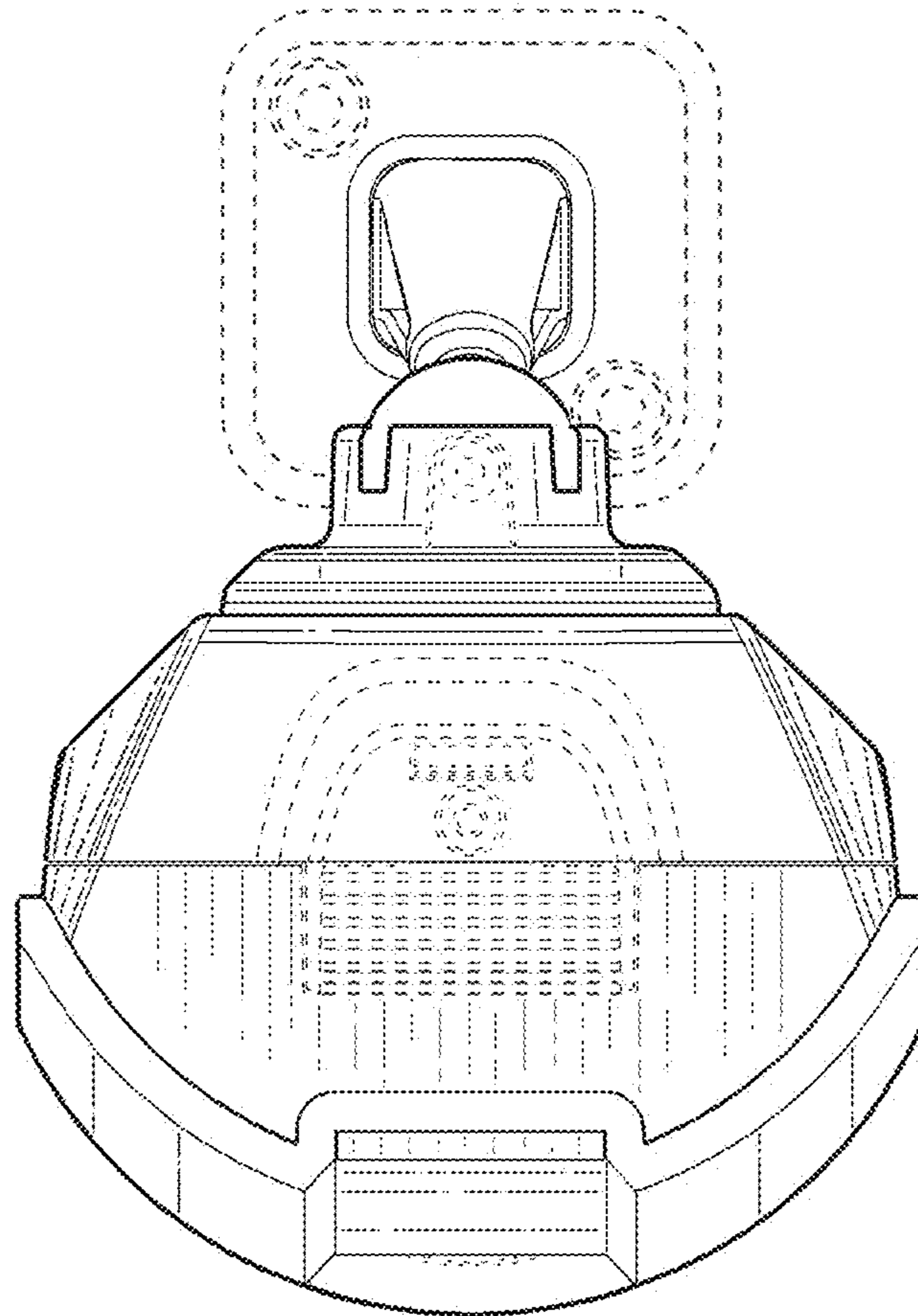
\* cited by examiner



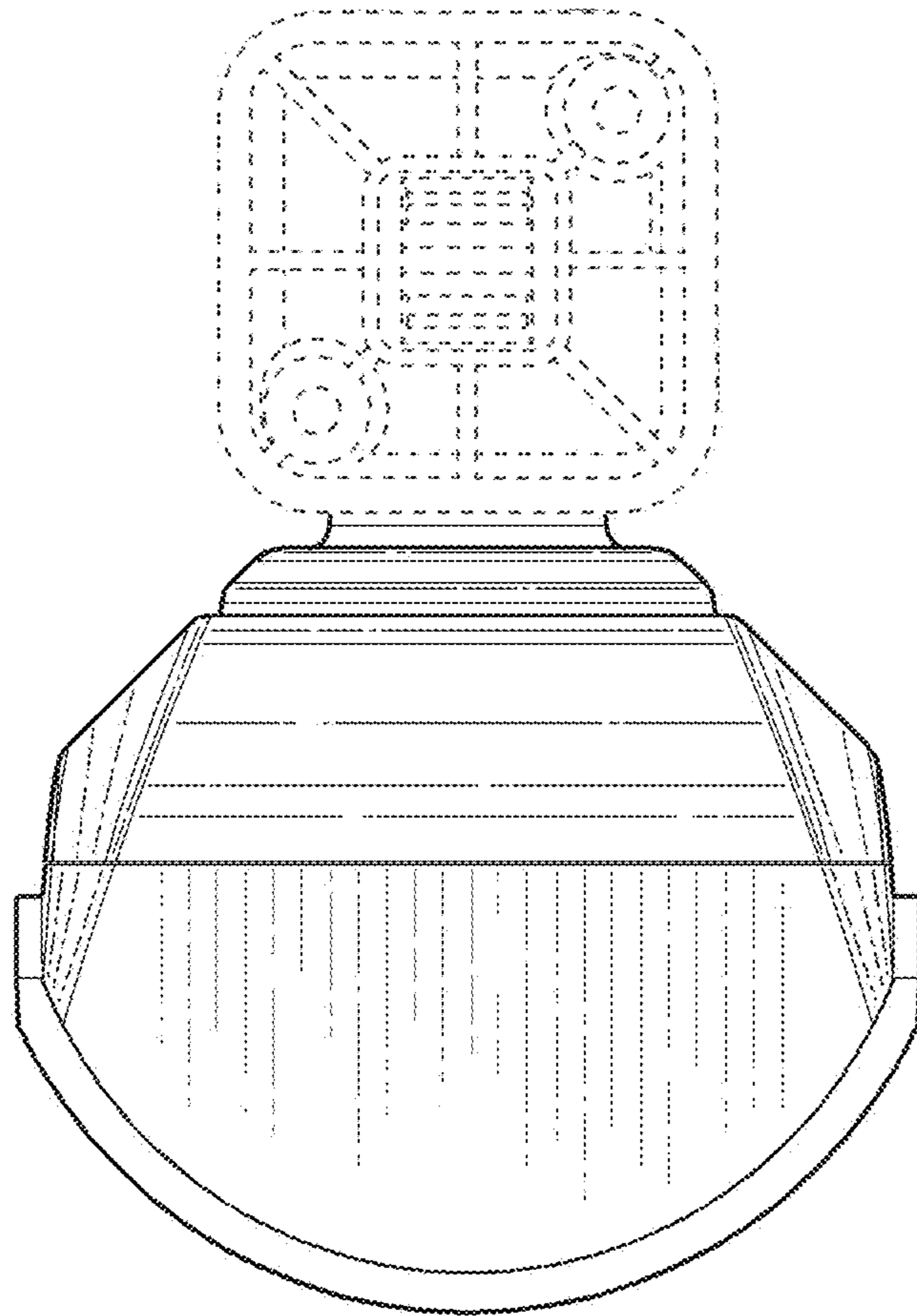
3.1



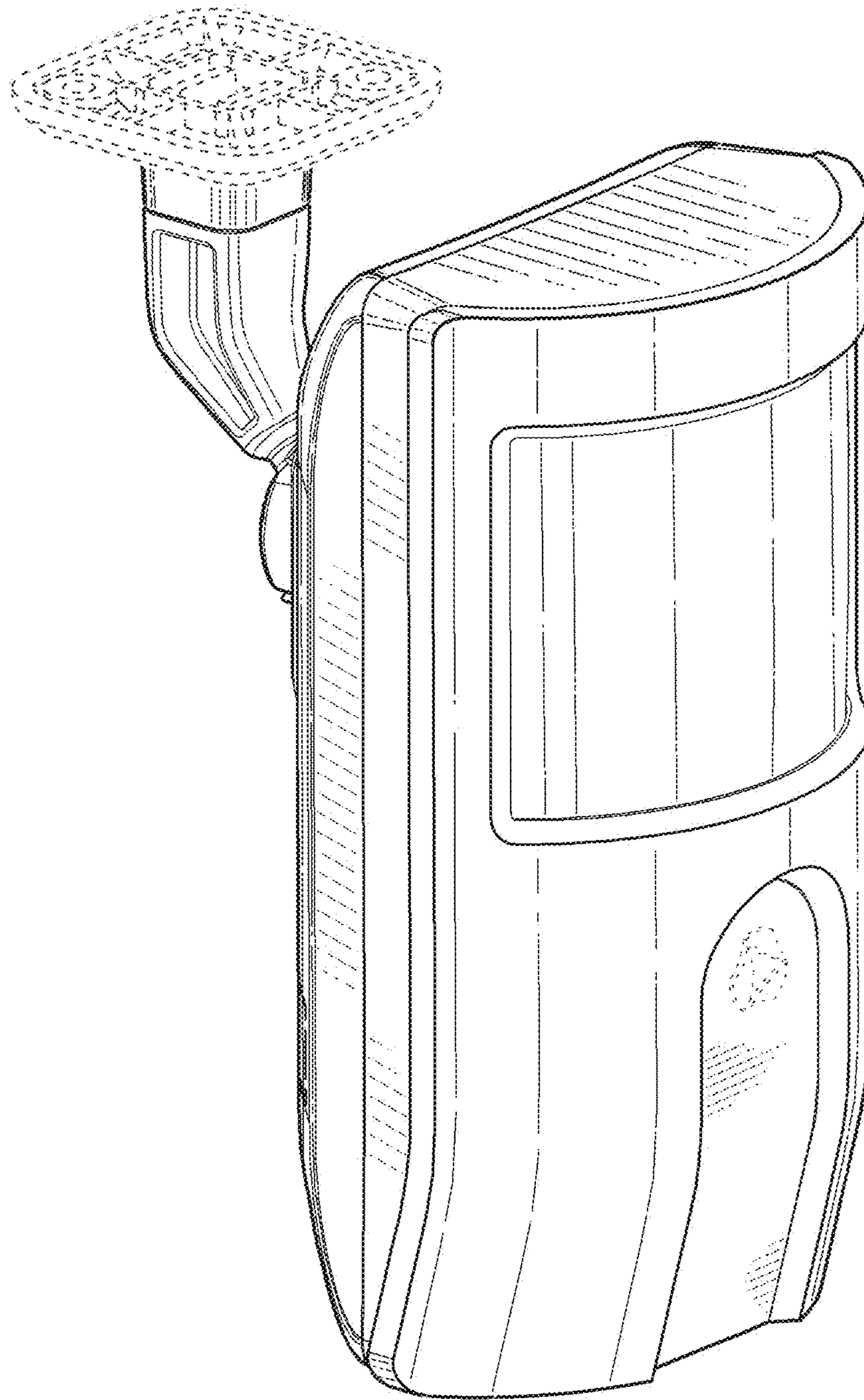
3.2



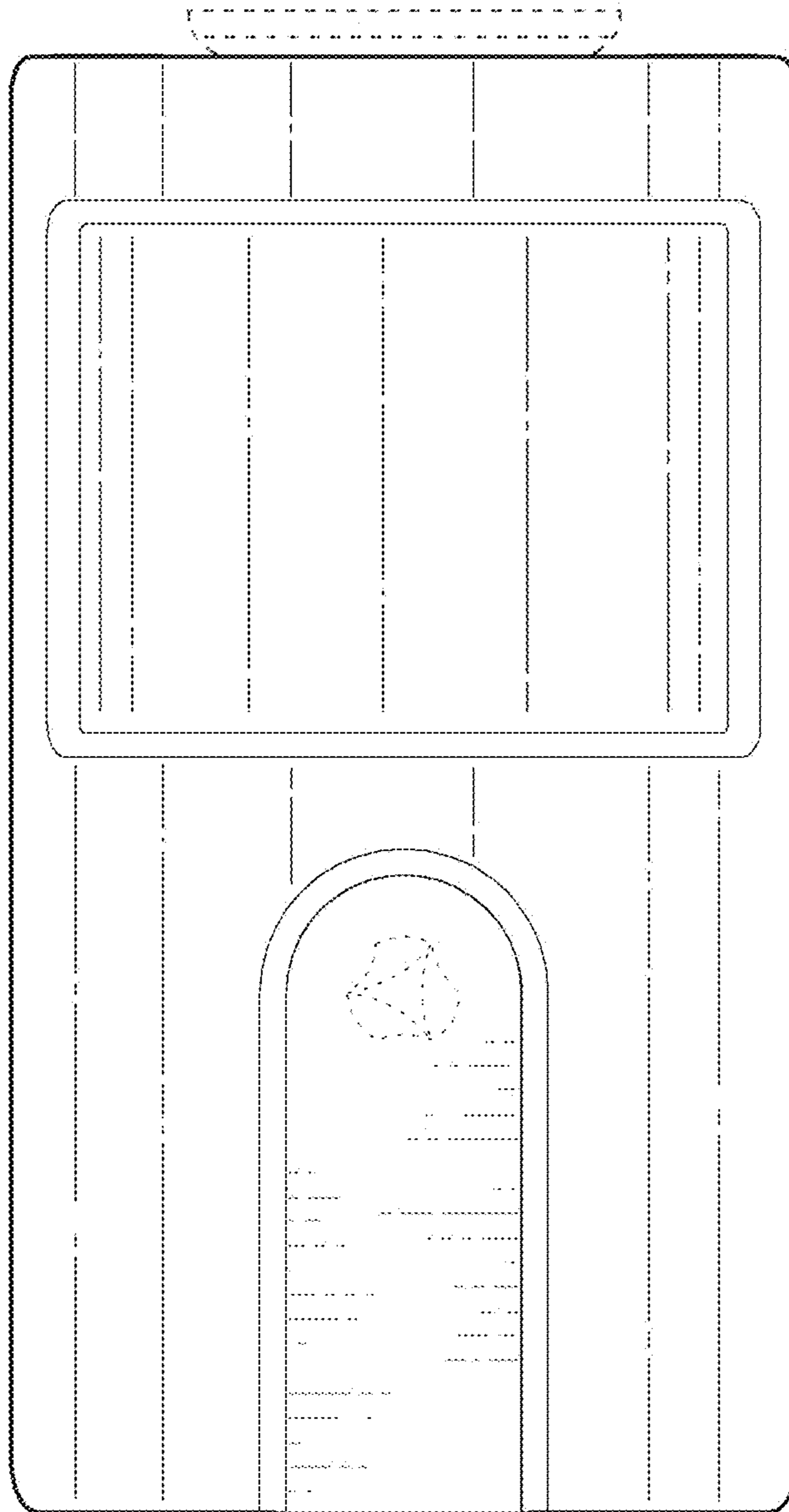
3.3



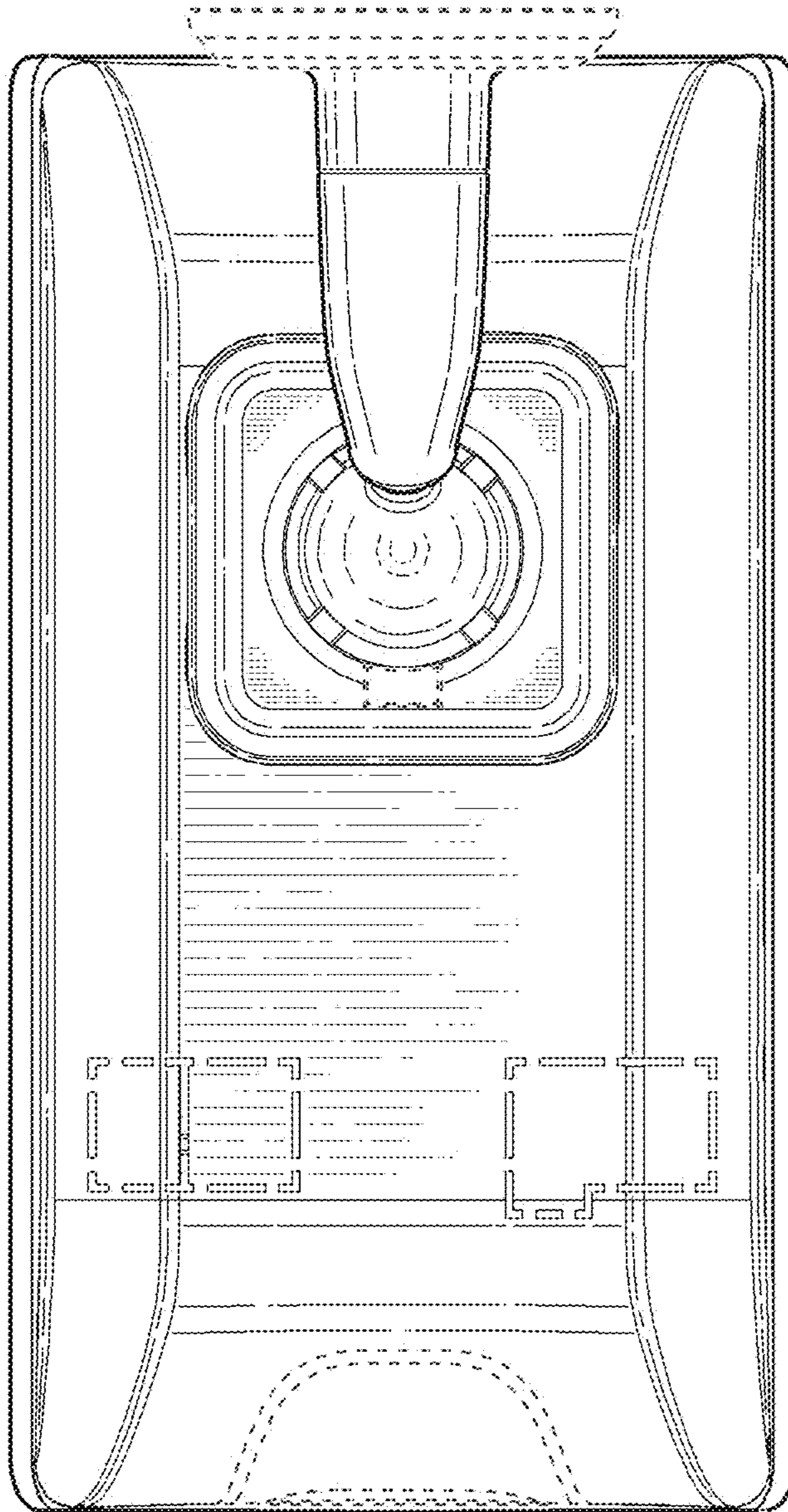
3.4



3.5







3.7

UNITED STATES PATENT AND TRADEMARK OFFICE  
**CERTIFICATE OF CORRECTION**

PATENT NO. : D950,408 S  
APPLICATION NO. : 35/508356  
DATED : May 3, 2022  
INVENTOR(S) : Norbert Adamowicz and Lukasz Tabakowski

Page 1 of 1

It is certified that error appears in the above-identified patent and that said Letters Patent is hereby corrected as shown below:

On the Title Page

Item [73], Currently listed:  
International Tobacco Machinery Poland Sp. z.o.o.  
Radom, Poland

Change to:  
EBS Sp. z.o.o.  
Warsaw, Poland

Signed and Sealed this  
Eighteenth Day of March, 2025



Coke Morgan Stewart  
*Acting Director of the United States Patent and Trademark Office*