



US00D950406S

(12) **United States Design Patent** (10) **Patent No.:** **US D950,406 S**
Dewey et al. (45) **Date of Patent:** **** May 3, 2022**

(54) **HANDHELD MAINTENANCE TOOL**

19/4186; G05B 2219/31129; H04L
12/40039; H04L 2012/4026; H04B 3/548;
H04B 1/3827

(71) Applicant: **FISHER-ROSEMOUNT SYSTEMS, INC.**, Round Rock, TX (US)

See application file for complete search history.

(72) Inventors: **Alan Roger Dewey**, Plymouth, MN (US); **Todd M. Toepke**, Eden Prairie, MN (US); **Tom Johnson**, Rosemount, MN (US)

(56) **References Cited**

U.S. PATENT DOCUMENTS

(73) Assignee: **FISHER-ROSEMOUNT SYSTEMS, INC.**, Round Rock, TX (US)

D510,533 S	10/2005	Hoofnagle
D563,810 S	3/2008	Gershfeld
8,788,137 B2	7/2014	Bertosa et al.
D714,171 S	9/2014	Hoofnagle et al.
D752,460 S	3/2016	Gnauck
D756,820 S	5/2016	Rekow

(**) Term: **15 Years**

(Continued)

(21) Appl. No.: **29/732,766**

Primary Examiner — Antoine Duval Davis

(22) Filed: **Apr. 27, 2020**

(74) *Attorney, Agent, or Firm* — Marshall, Gerstein & Borun LLP

Related U.S. Application Data

(57) **CLAIM**

(60) Division of application No. 29/696,127, filed on Jun. 25, 2019, now Pat. No. Des. 885,215, which is a division of application No. 29/647,103, filed on May 9, 2018, now Pat. No. Des. 856,831, which is a continuation of application No. 29/605,247, filed on May 24, 2017, now Pat. No. Des. 818,857, which is a division of application No. 29/571,212, filed on Jul. 15, 2016, now Pat. No. Des. 790,997, which is a continuation of application No. 29/523,409, filed on Apr. 9, 2015, now Pat. No. Des. 764,329.

The ornamental design for a handheld maintenance tool, as shown and described.

(51) **LOC (13) Cl.** **10-04**

DESCRIPTION

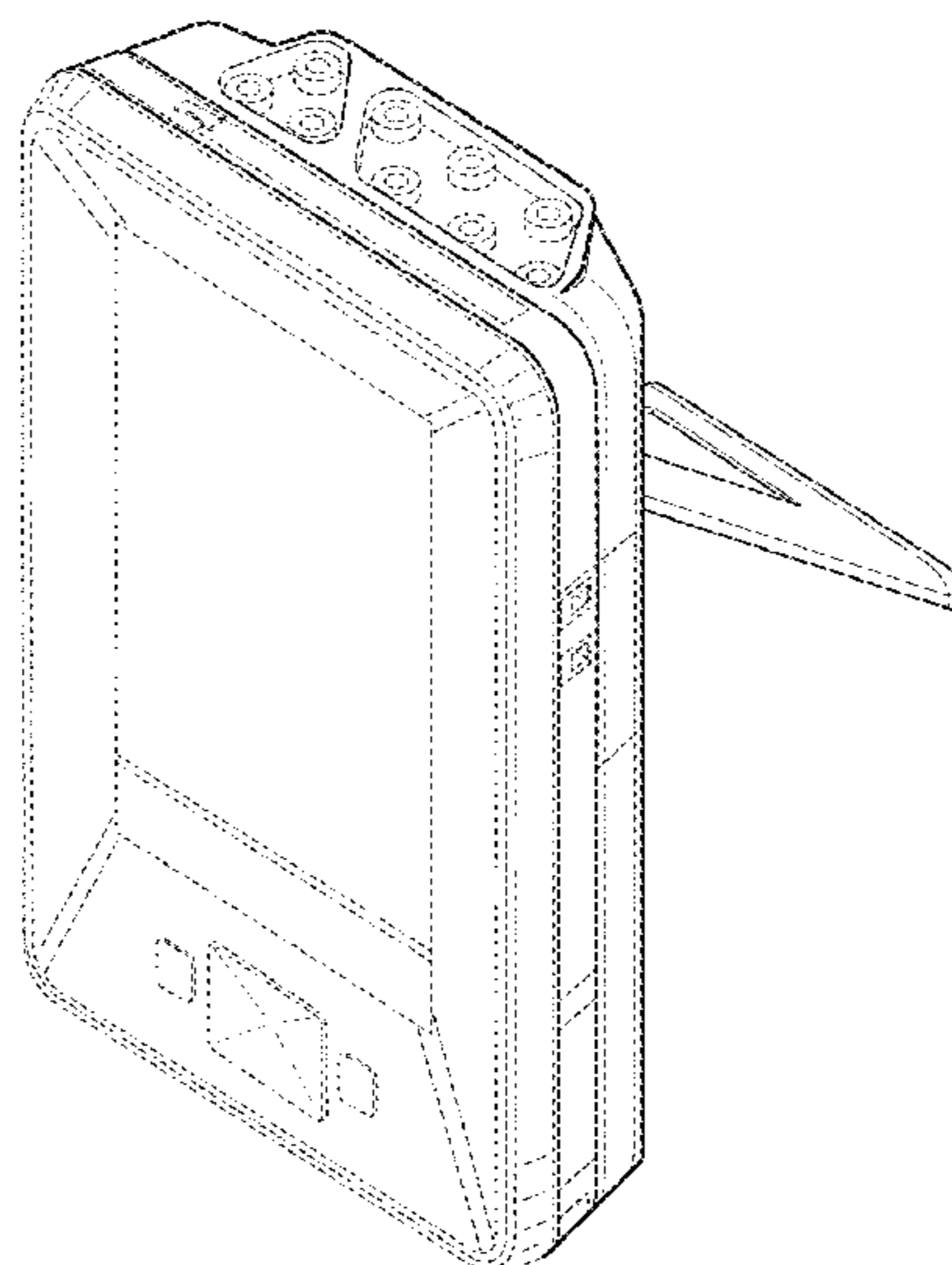
(52) **U.S. Cl.**
USPC **D10/78; D10/46**

(58) **Field of Classification Search**
USPC D10/46, 75, 76, 77, 78, 86, 84, 85
CPC G05B 19/0428; G05B 19/409; G05B 19/048; G05B 19/4093; G05B 2219/36159; G05B 2219/23406; G05B 2219/25428; G05B 2219/24054; G05B 2219/23244; G05B 2219/24056; G05B 2219/24058; G05B 2219/24084; G05B

FIG. 1 is a front, right-side, and top view of a handheld maintenance tool of the inventive design;
FIG. 2 is a front view of the handheld maintenance tool shown in FIG. 1;
FIG. 3 is a left-side view of the handheld maintenance tool shown in FIG. 1;
FIG. 4 is a rear view of the handheld maintenance tool shown in FIG. 1;
FIG. 5 is a right-side view of the handheld maintenance tool shown in FIG. 1;
FIG. 6 is a top view of the handheld maintenance tool shown in FIG. 1; and,
FIG. 7 is a bottom view of the handheld maintenance tool shown in FIG. 1.

The broken lines in the drawings illustrate portions of the handheld maintenance tool that form no part of the claimed design.

1 Claim, 7 Drawing Sheets



(56)

References Cited

U.S. PATENT DOCUMENTS

D759,521 S	6/2016	Rekow	
D764,329 S	8/2016	Dewey et al.	
D790,997 S	7/2017	Dewey et al.	
D804,339 S	12/2017	Protti	
D818,857 S	5/2018	Dewey et al.	
D856,831 S	8/2019	Dewey et al.	
10,764,083 B2 *	9/2020	Benson	H04B 3/548
2018/0024538 A1 *	1/2018	Benson	G05B 19/0423 340/539.11
2018/0025304 A1 *	1/2018	Fisher	G06Q 10/20 726/4
2018/0026809 A1 *	1/2018	Benson	H04B 3/548 370/311

* cited by examiner

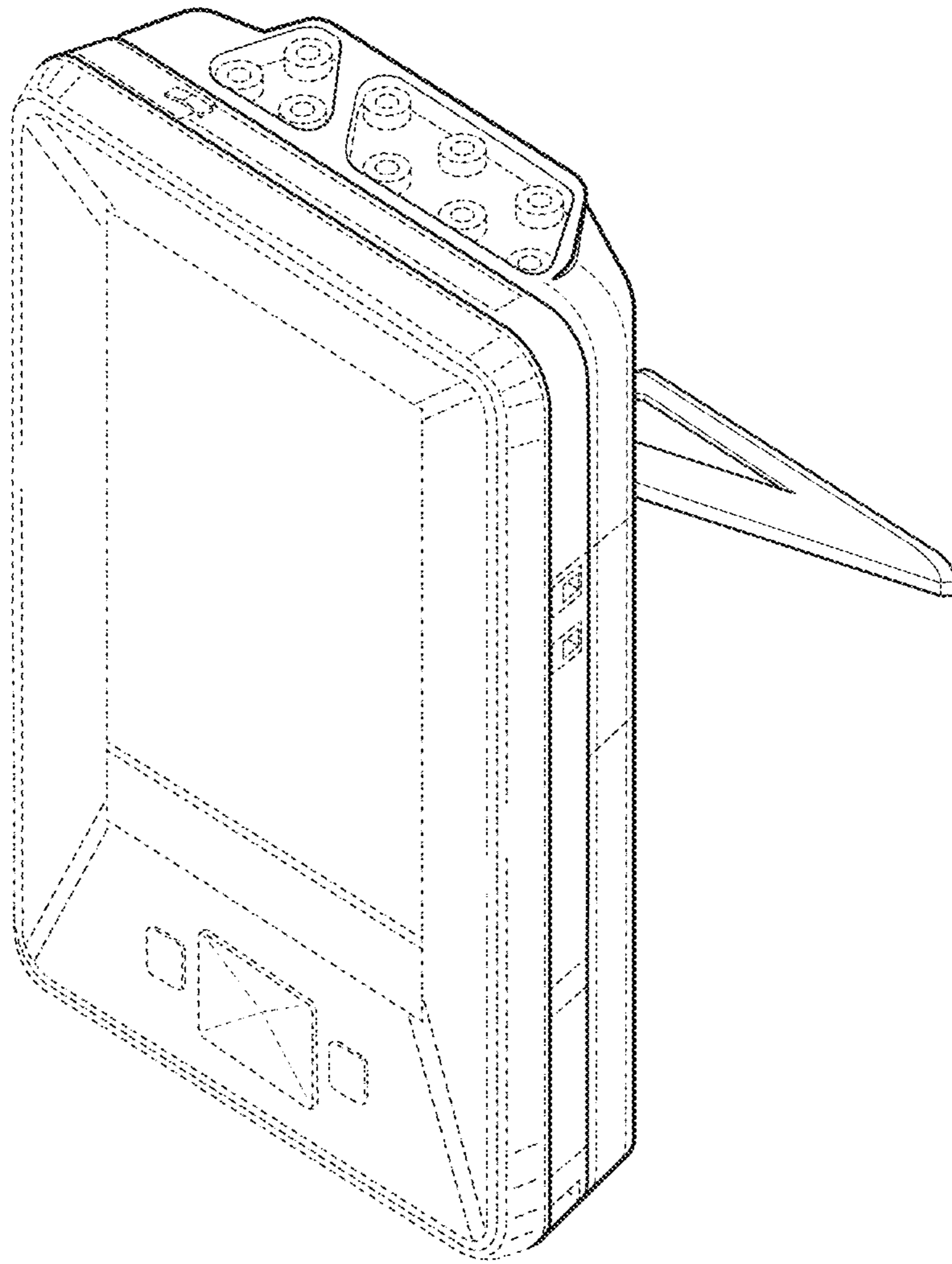


FIG. 1

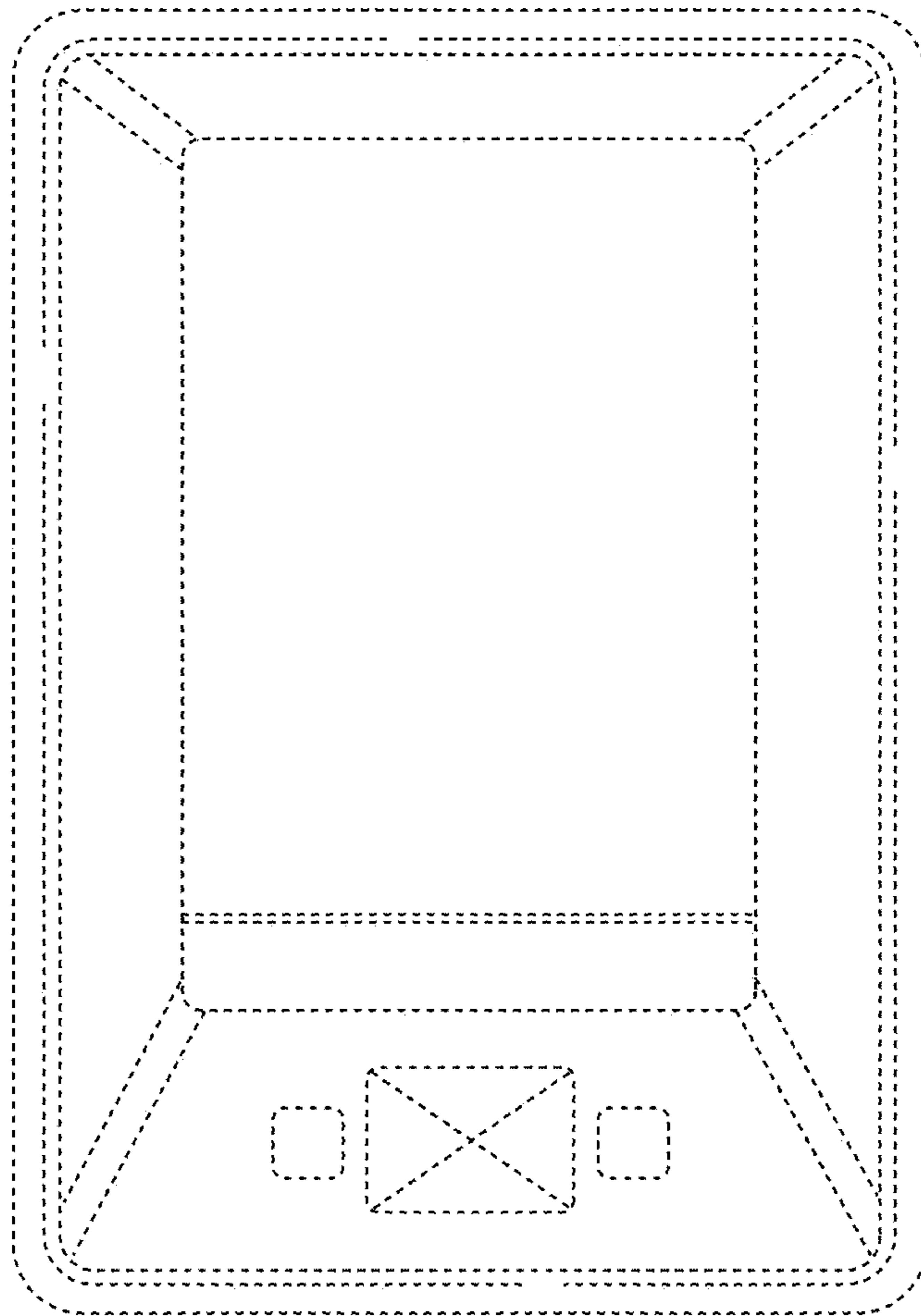


FIG. 2

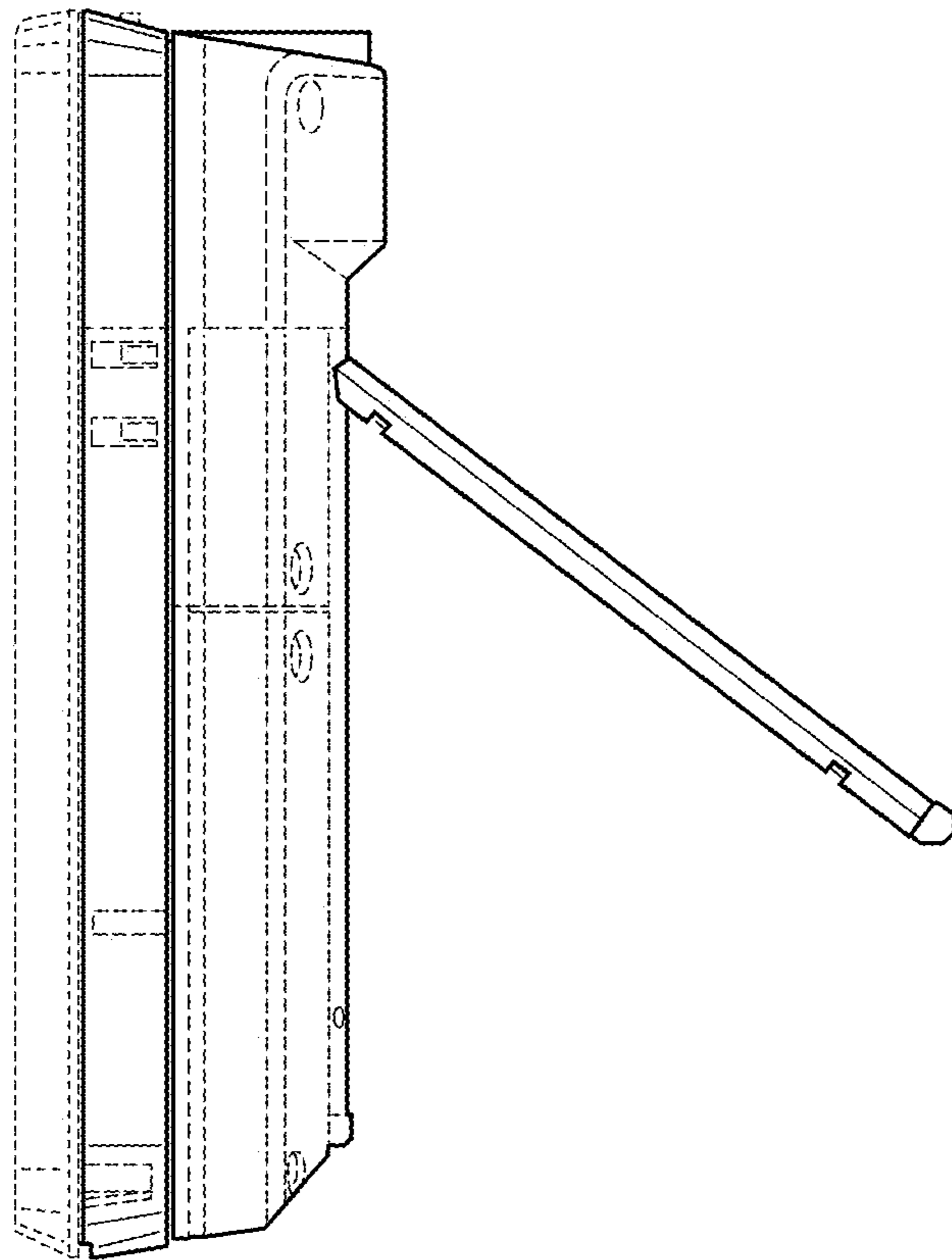


FIG. 3

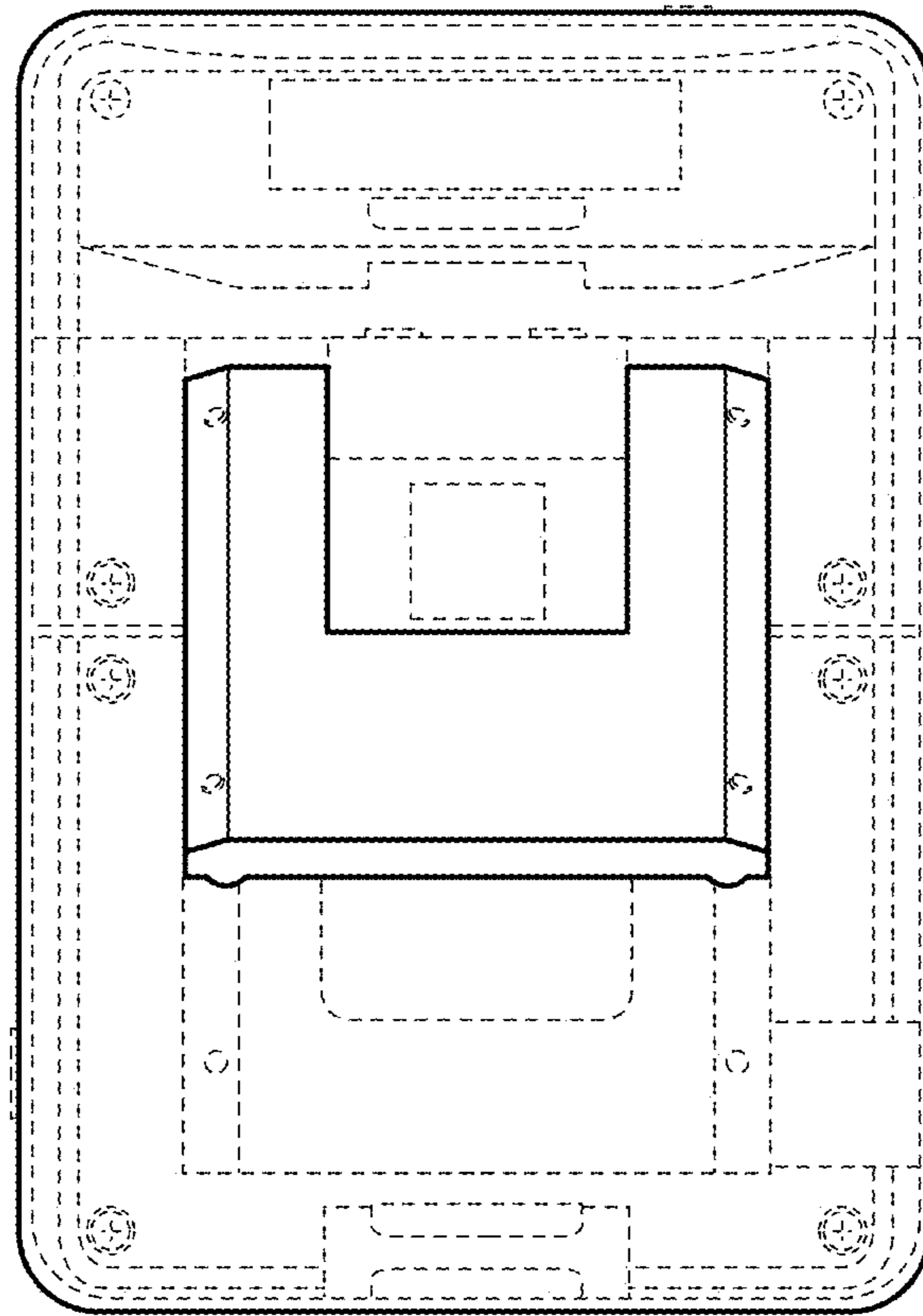


FIG. 4

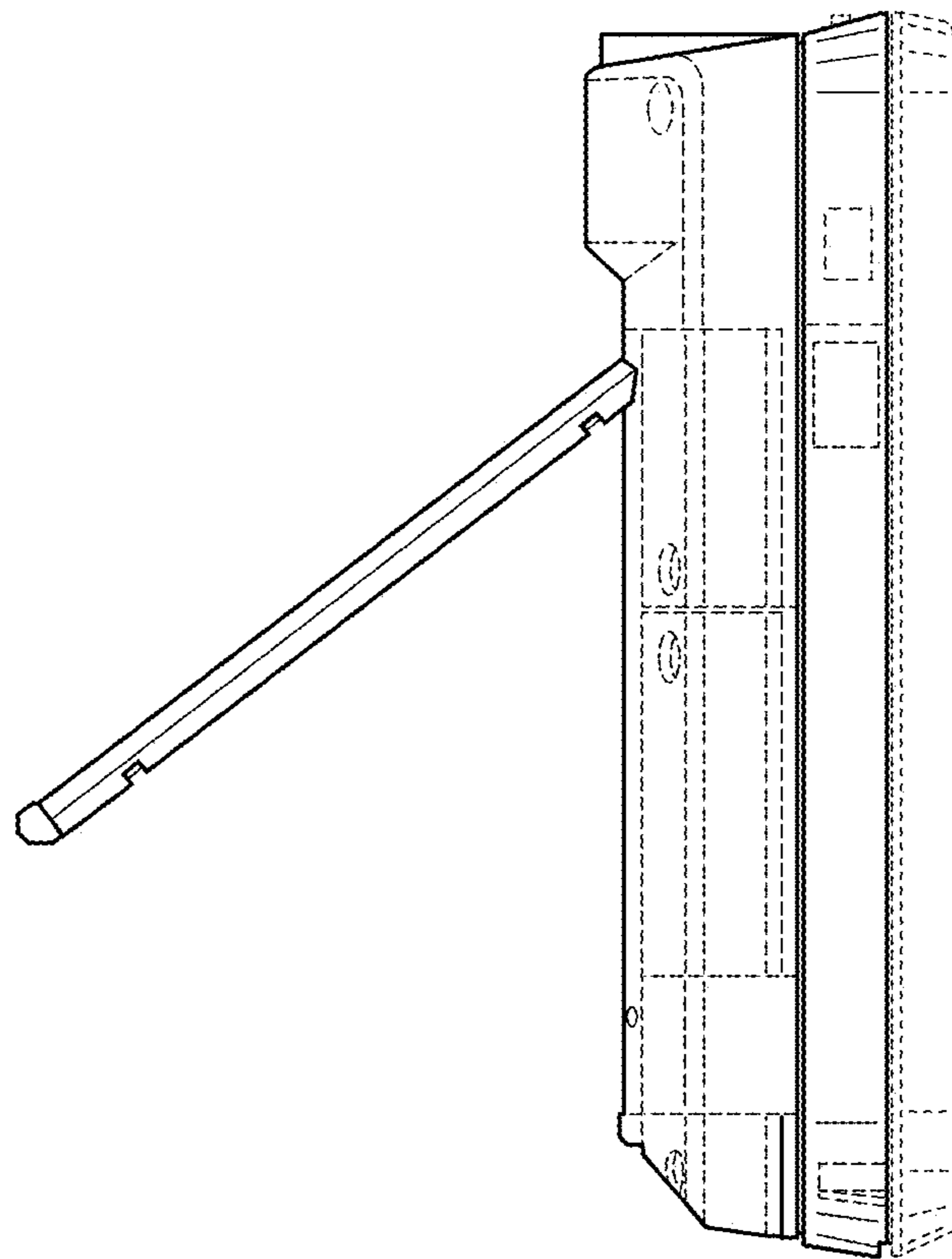


FIG. 5

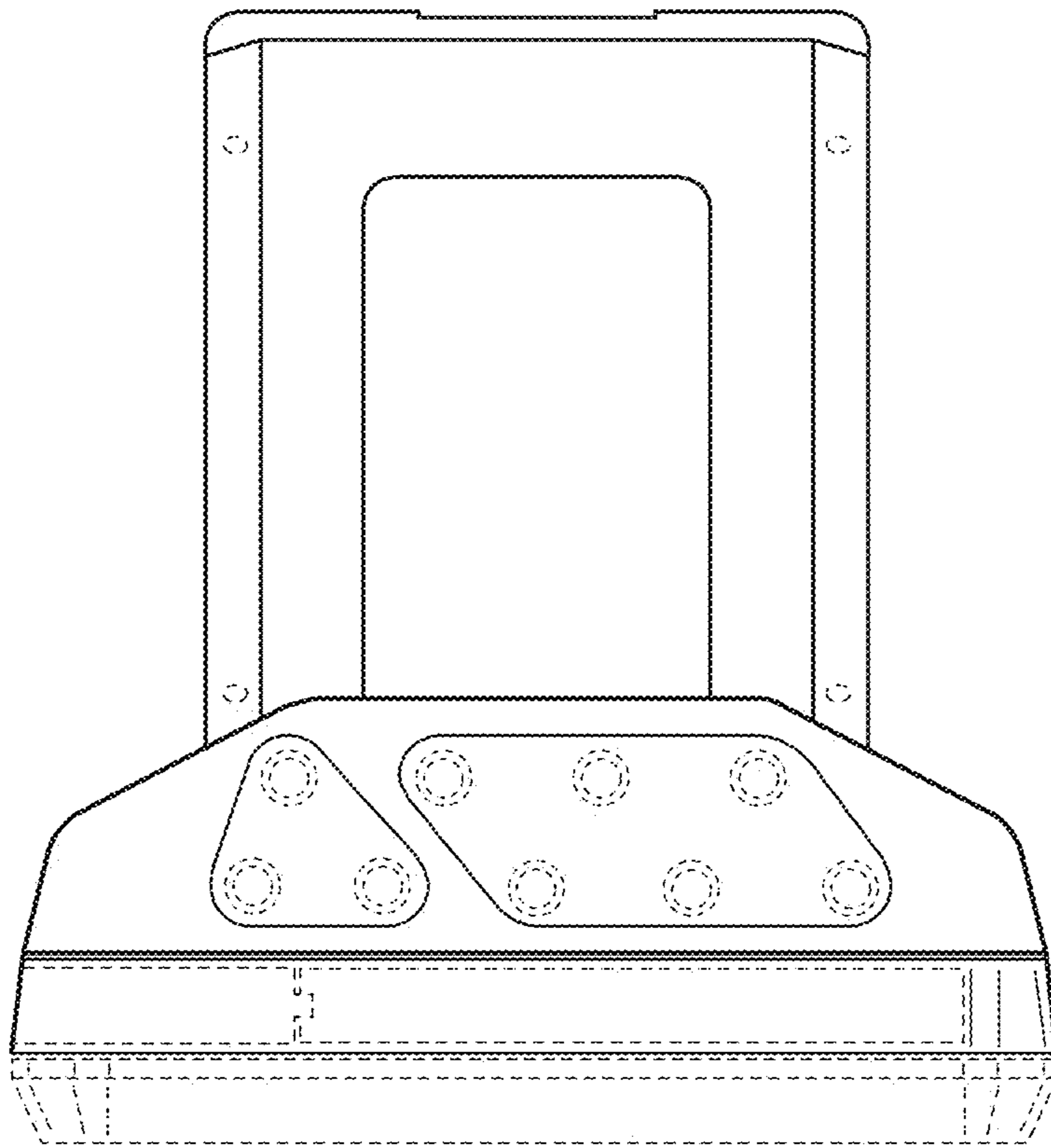


FIG. 6

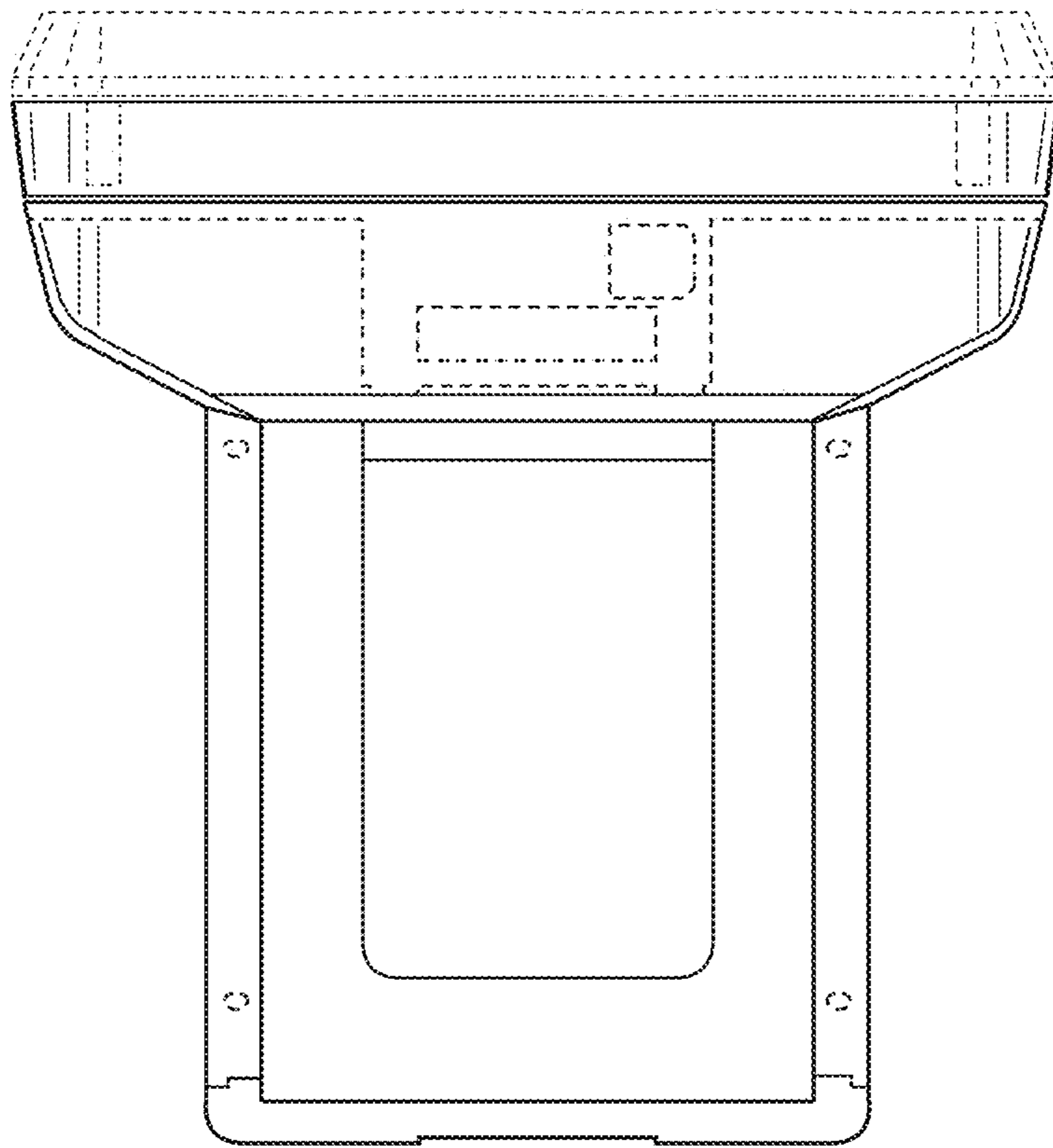


FIG. 7