



US00D950405S

(12) **United States Design Patent**
Battaglia et al.

(10) **Patent No.:** **US D950,405 S**

(45) **Date of Patent:** **** May 3, 2022**

(54) **SENSOR HOUSING**

(71) Applicant: **Zoox, Inc.**, Foster City, CA (US)

(72) Inventors: **Nahuel Elias Battaglia**, Stanford, CA (US); **Christl Cleblad-Earl**, Oxfordshire (GB); **Herman Francisco Delos Santos**, Redwood City, CA (US); **Alexander Kraus**, San Mateo, CA (US); **Richard Luke Osellame**, Redwood City, CA (US); **Christopher John Stoffel**, San Carlos, CA (US)

(73) Assignee: **Zoox, Inc.**, Foster City, CA (US)

(**) Term: **15 Years**

(21) Appl. No.: **29/722,820**

(22) Filed: **Jan. 31, 2020**

(51) **LOC (13) Cl.** **10-04**

(52) **U.S. Cl.**
USPC **D10/70**; D10/46; D10/65

(58) **Field of Classification Search**
USPC D10/46, 49, 61–62, 64–66, 70; D12/174;
D16/203, 208
CPC G01S 7/481; G01S 7/4863; G01S 7/51;
G01S 7/521; G01S 17/93; G01S 17/931;
G01S 2013/9327; G01S
2013/93271–93277; G05D 2201/0213;
G06T 2207/30252

See application file for complete search history.

(56) **References Cited**

U.S. PATENT DOCUMENTS

D519,859 S *	5/2006	Chinnadurai	D10/46
D531,525 S *	11/2006	Dold	D10/46
D659,030 S *	5/2012	Anselment	D10/46
D734,211 S *	7/2015	Ahn	D12/86
D849,098 S *	5/2019	Kapuria	D16/208
D878,264 S *	3/2020	Ahn	D12/190
D882,430 S *	4/2020	Haban	D10/70

D888,129 S *	6/2020	Lee	D16/208
D890,241 S *	7/2020	Abdul	D16/208
D894,992 S *	9/2020	Cui	D16/208
11,163,312 B2 *	11/2021	Gist, IV	G05D 1/0278

(Continued)

OTHER PUBLICATIONS

Japanese Office Action dated Apr. 30, 2021 for Japanese Patent Application No. 2020-015912, a counterpart foreign application of U.S. Appl. No. 29/722,820, 3 pages.

(Continued)

Primary Examiner — Katherine Glennon

(74) *Attorney, Agent, or Firm* — Lee & Hayes, P.C.

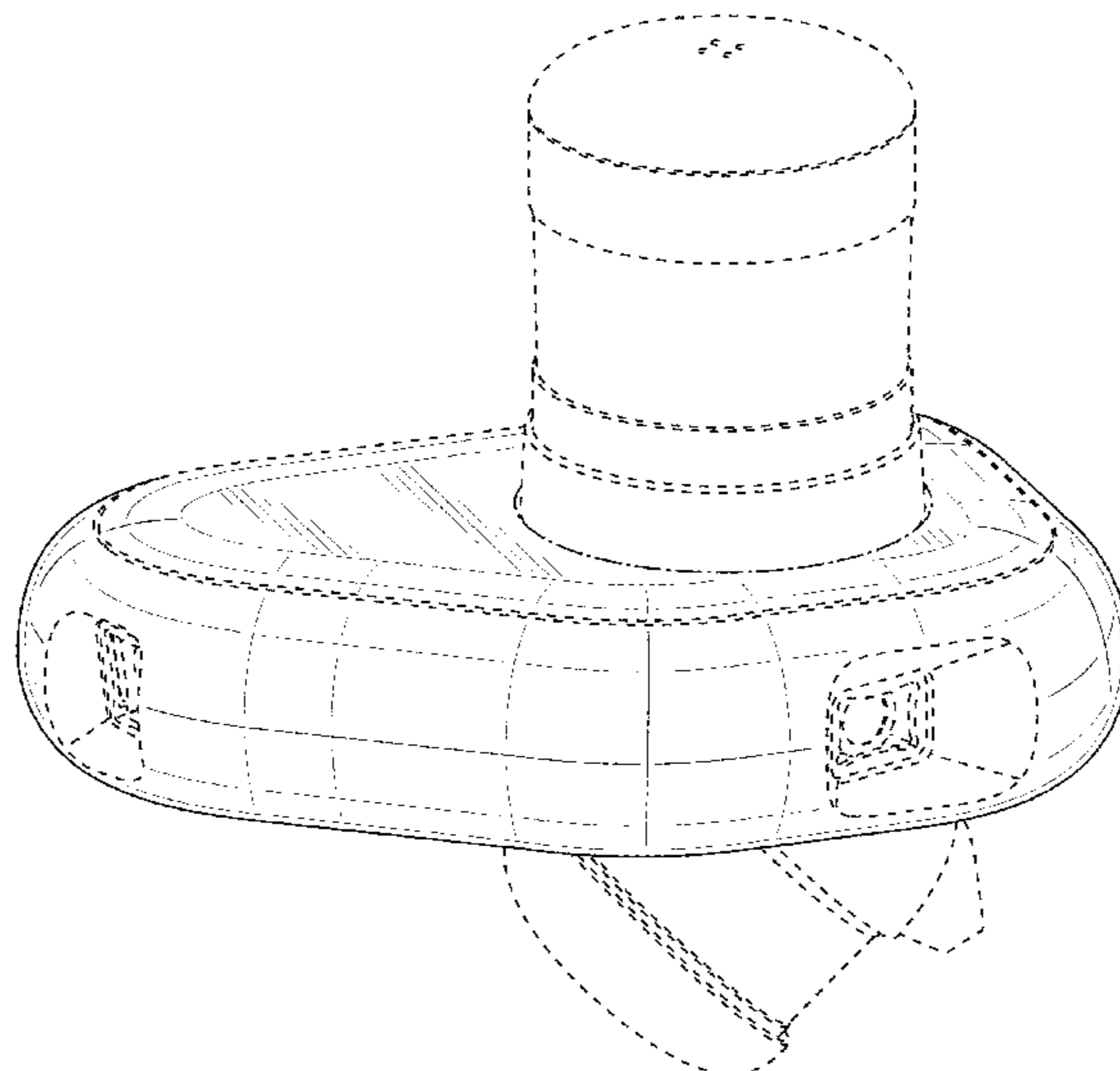
(57) **CLAIM**

The ornamental design for a sensor housing, as shown and described.

DESCRIPTION

FIG. 1 is a top, right-side perspective view of a sensor housing;
FIG. 2 is a bottom, right-side perspective view thereof;
FIG. 3 is a bottom, left-side perspective view thereof;
FIG. 4 is a front view thereof;
FIG. 5 is a back view thereof;
FIG. 6 is a right-side view thereof;
FIG. 7 is a left-side view thereof;
FIG. 8 is a top view thereof;
FIG. 9 is a bottom view thereof; and,
FIG. 10 is a top, front, right-side perspective view thereof, shown with a vehicle for environmental context.
The dashed broken lines depict portions of the sensor housing that form no part of the claimed design. The dashed broken line showing of a vehicle in FIG. 10 depicts environment and forms no part of the claimed design. The dot-dashed broken lines represent boundaries of the sensor housing and form no part of the claimed design.

1 Claim, 10 Drawing Sheets



(56)

References Cited

U.S. PATENT DOCUMENTS

2019/0293772 A1* 9/2019 Pfeiffer G05D 1/0088
2019/0353756 A1* 11/2019 Ratner G01S 7/4813
2019/0353793 A1* 11/2019 Baldovino H05K 7/20863
2021/0293932 A1* 9/2021 Bruce-Wen G01S 7/4813
2021/0309187 A1* 10/2021 Rice G01S 17/931
2021/0331651 A1* 10/2021 Baldovino B60S 1/56
2021/0333361 A1* 10/2021 Droz G01S 17/86

OTHER PUBLICATIONS

Chinese Office Action dated Aug. 9, 2021 for Chinese Patent Application No. 202030427369.7, a foreign counterpart to U.S. Appl. No. 29/722,820, 1 page.

Japanese Office Action dated Sep. 17, 2021 for Japanese Patent Application No. 2021-016088, a foreign counterpart to U.S. Appl. No. 29/722,820, 3 pages.

* cited by examiner

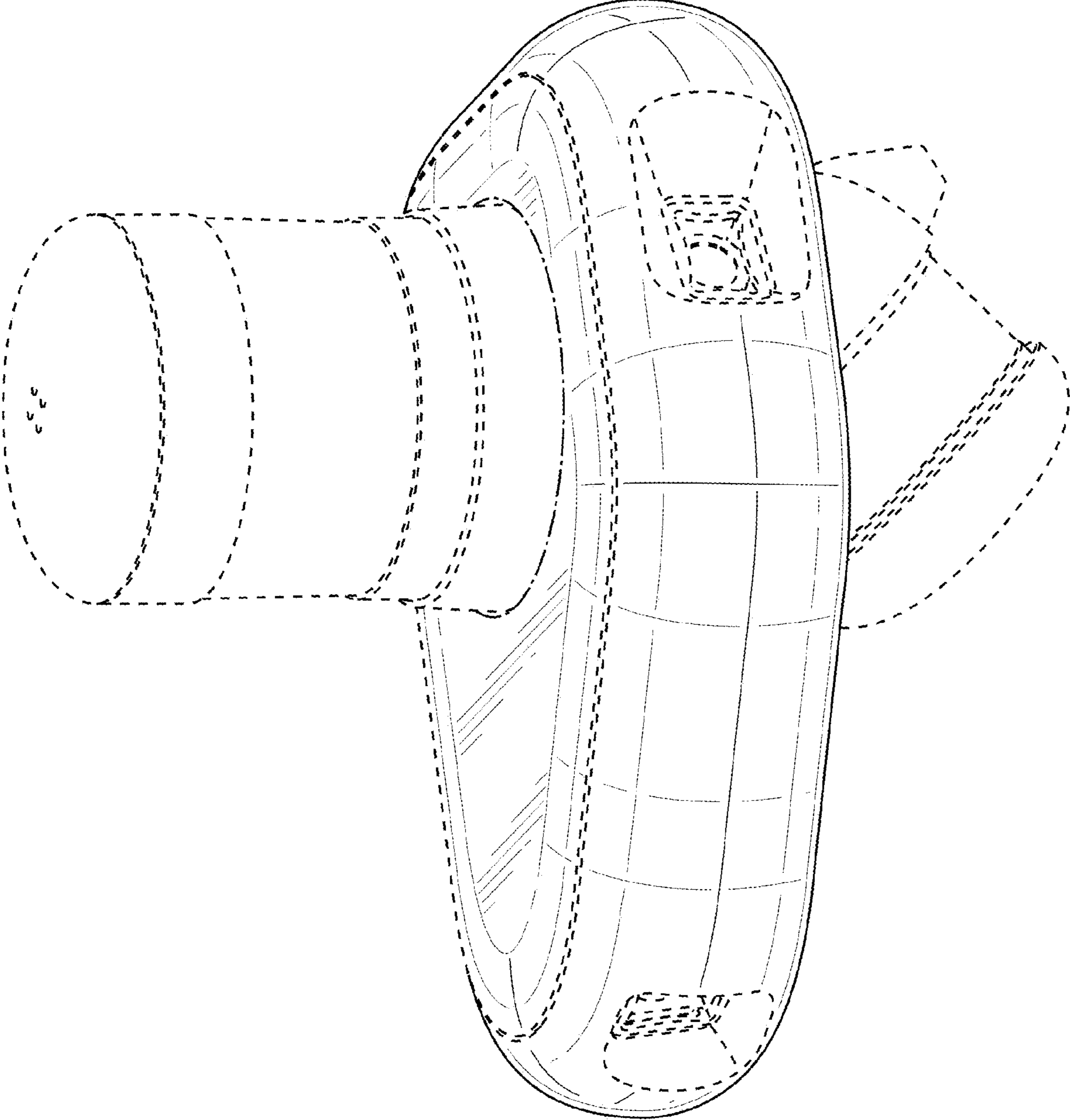


FIG. 1

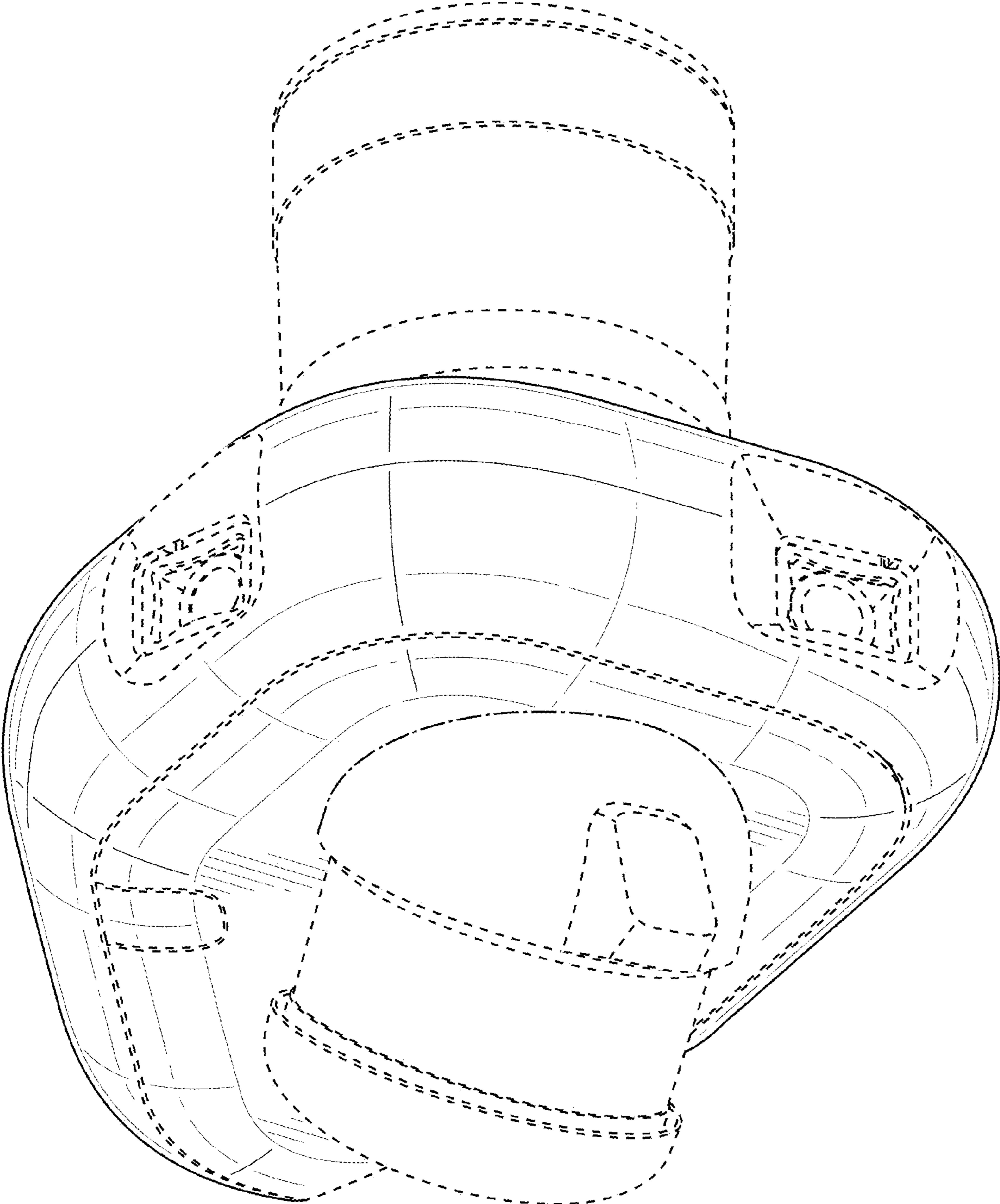


FIG. 2

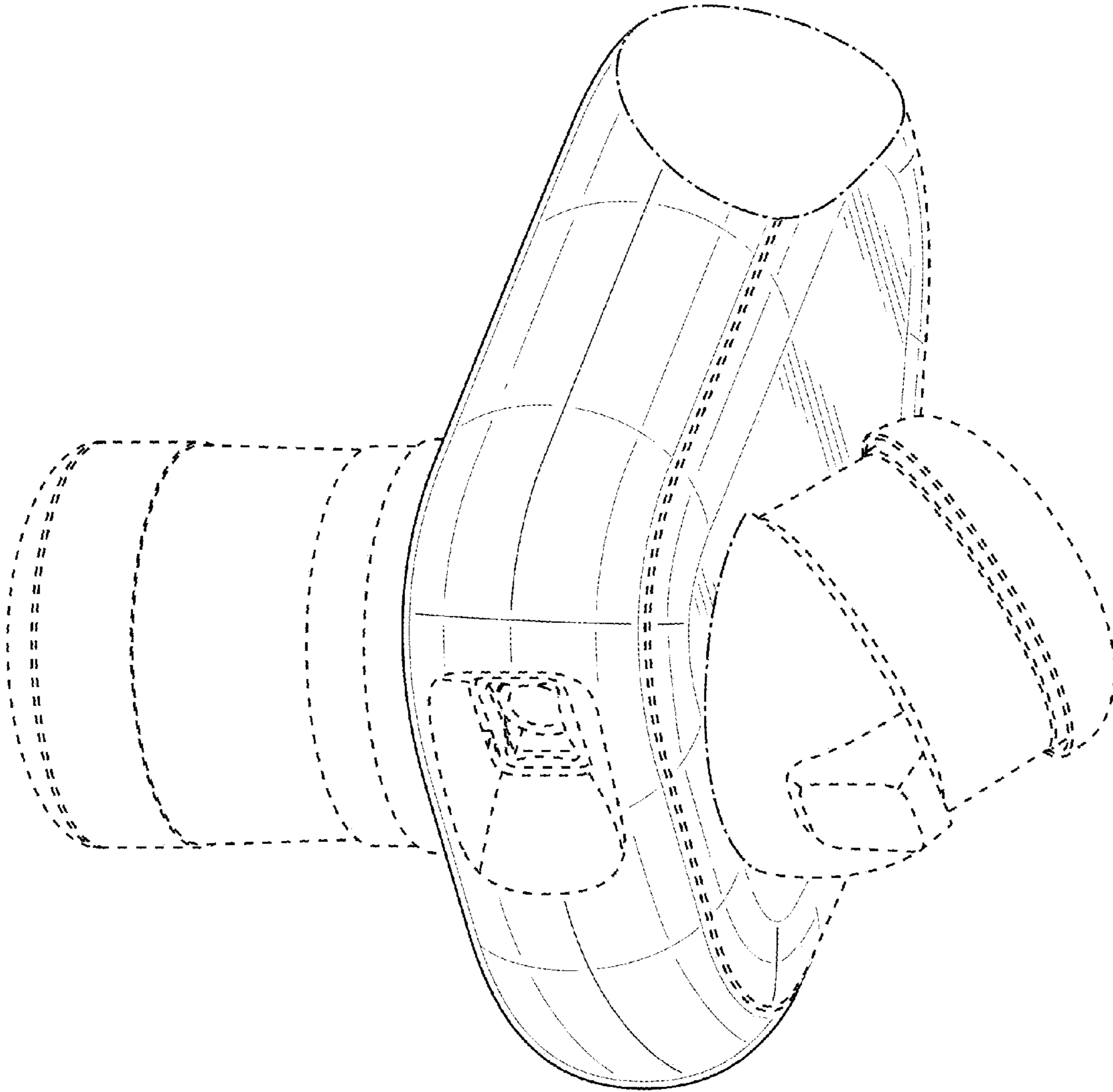


FIG. 3

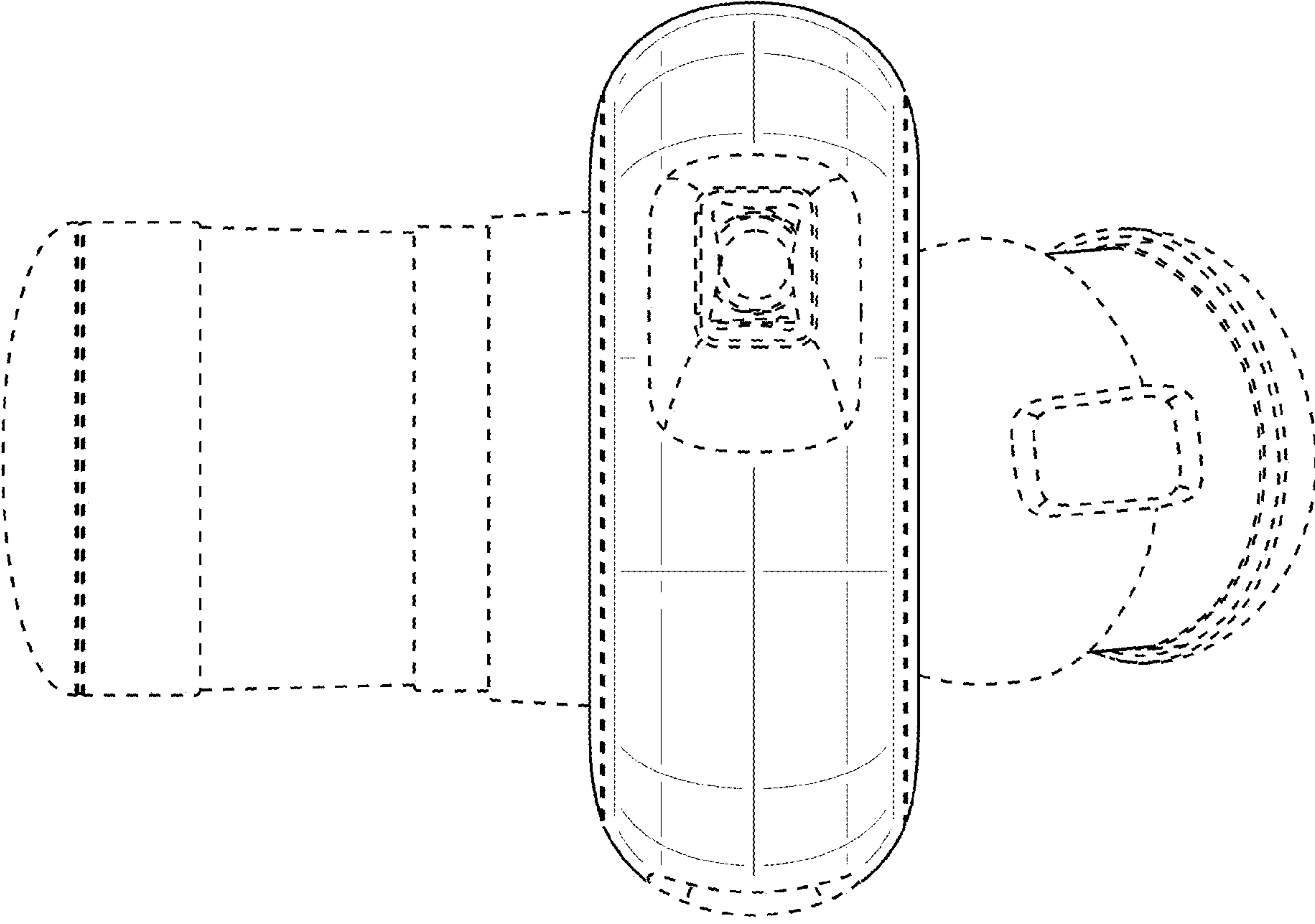


FIG. 4

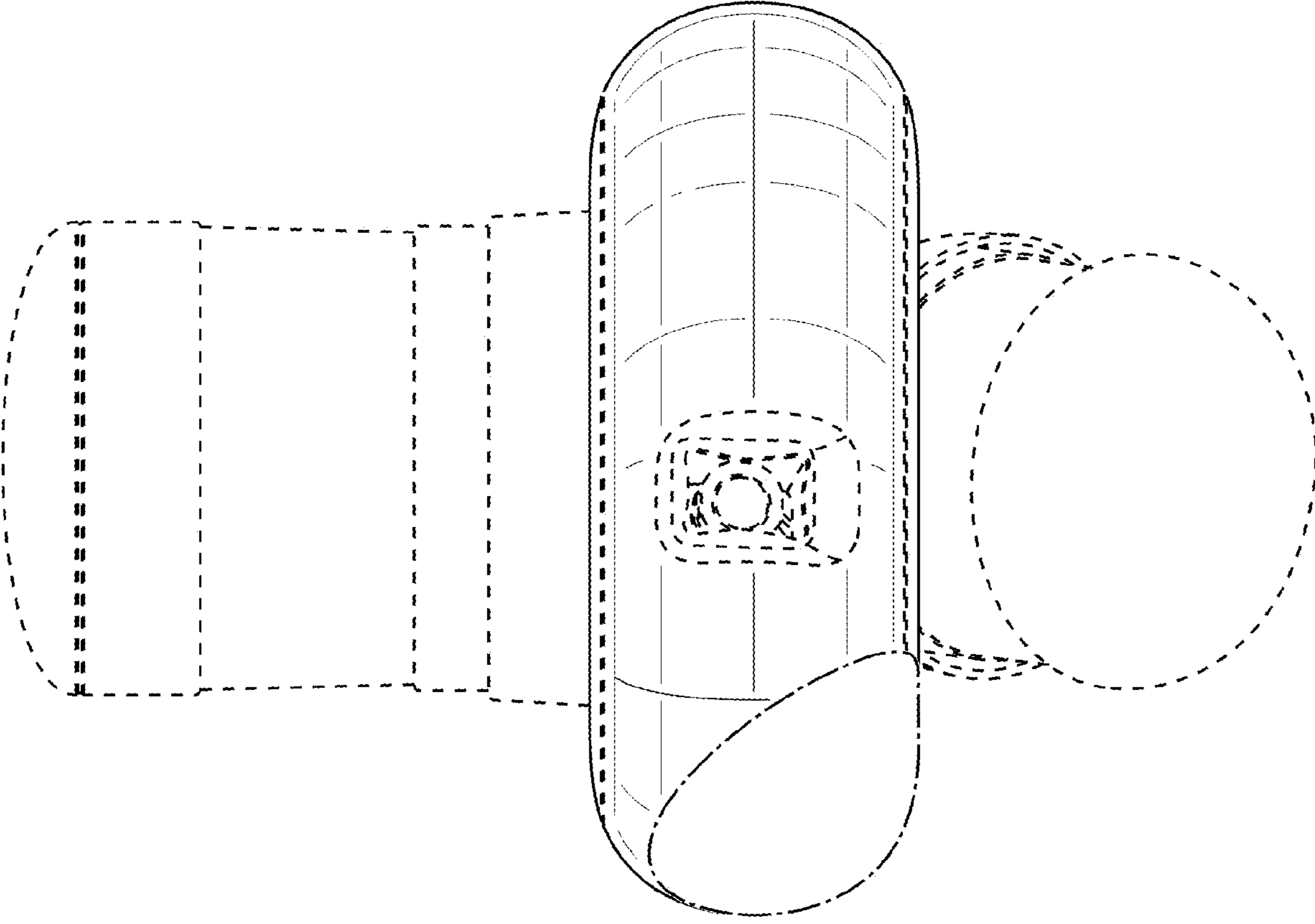


FIG. 5

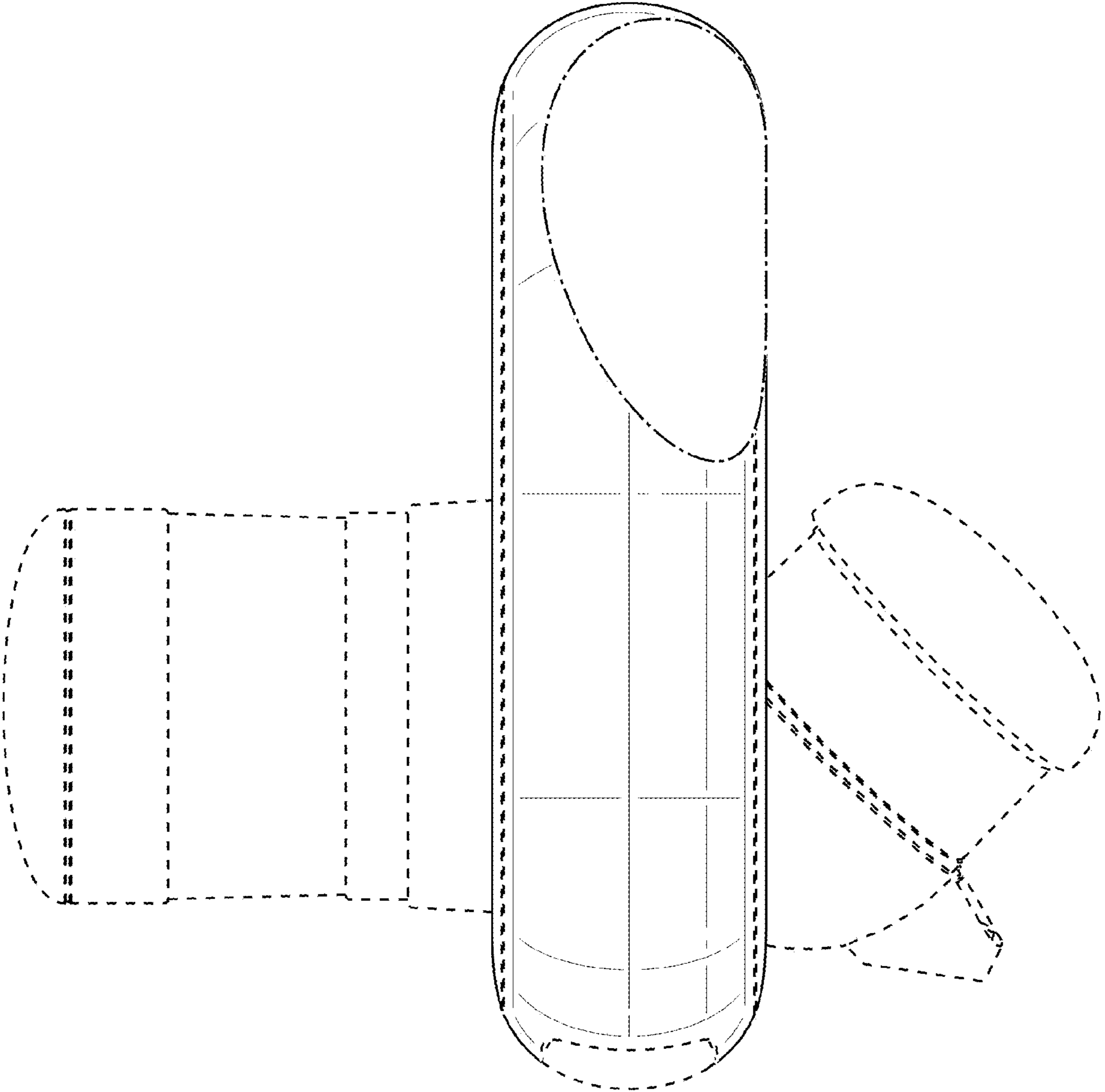


FIG. 6

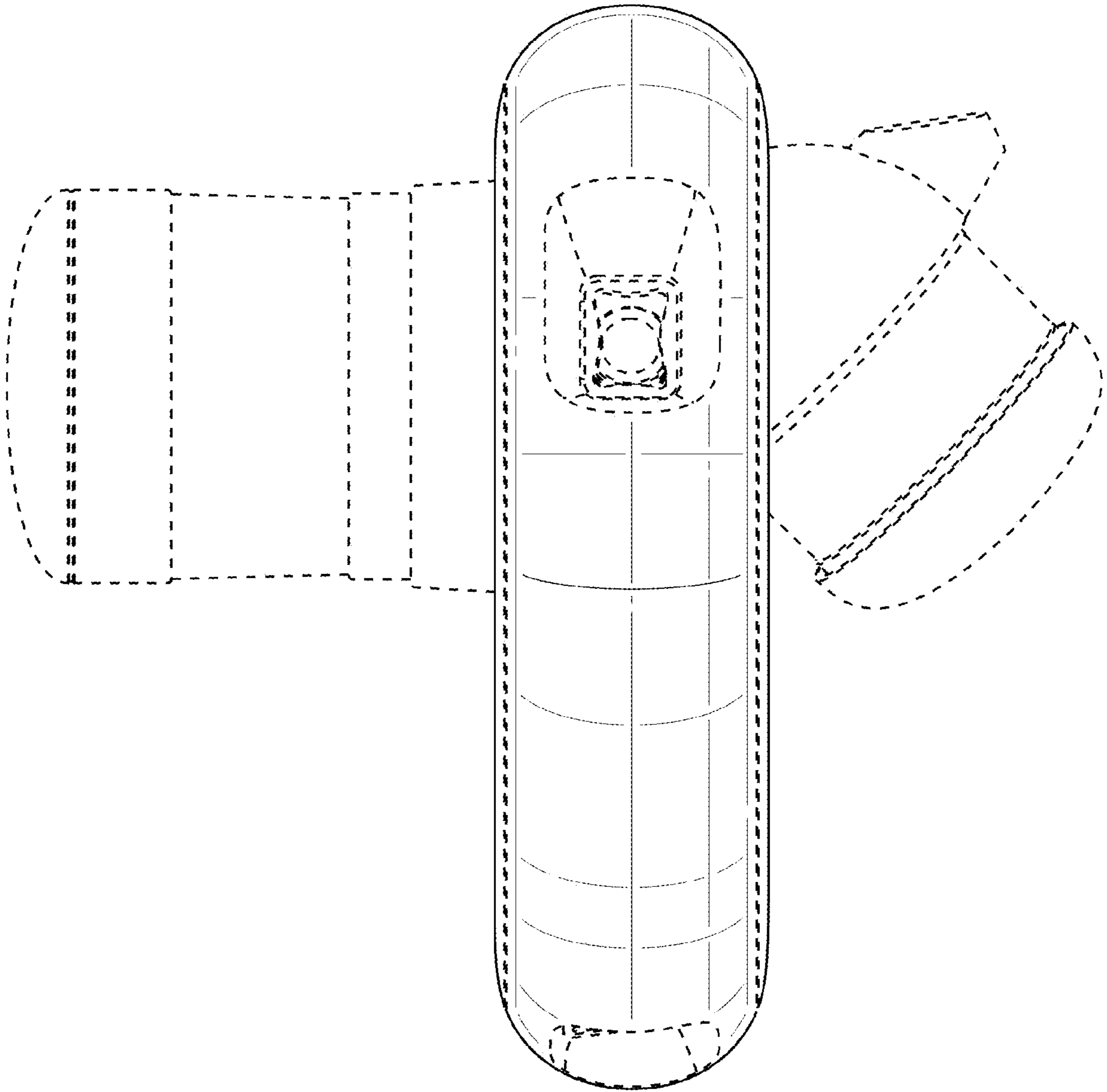


FIG. 7

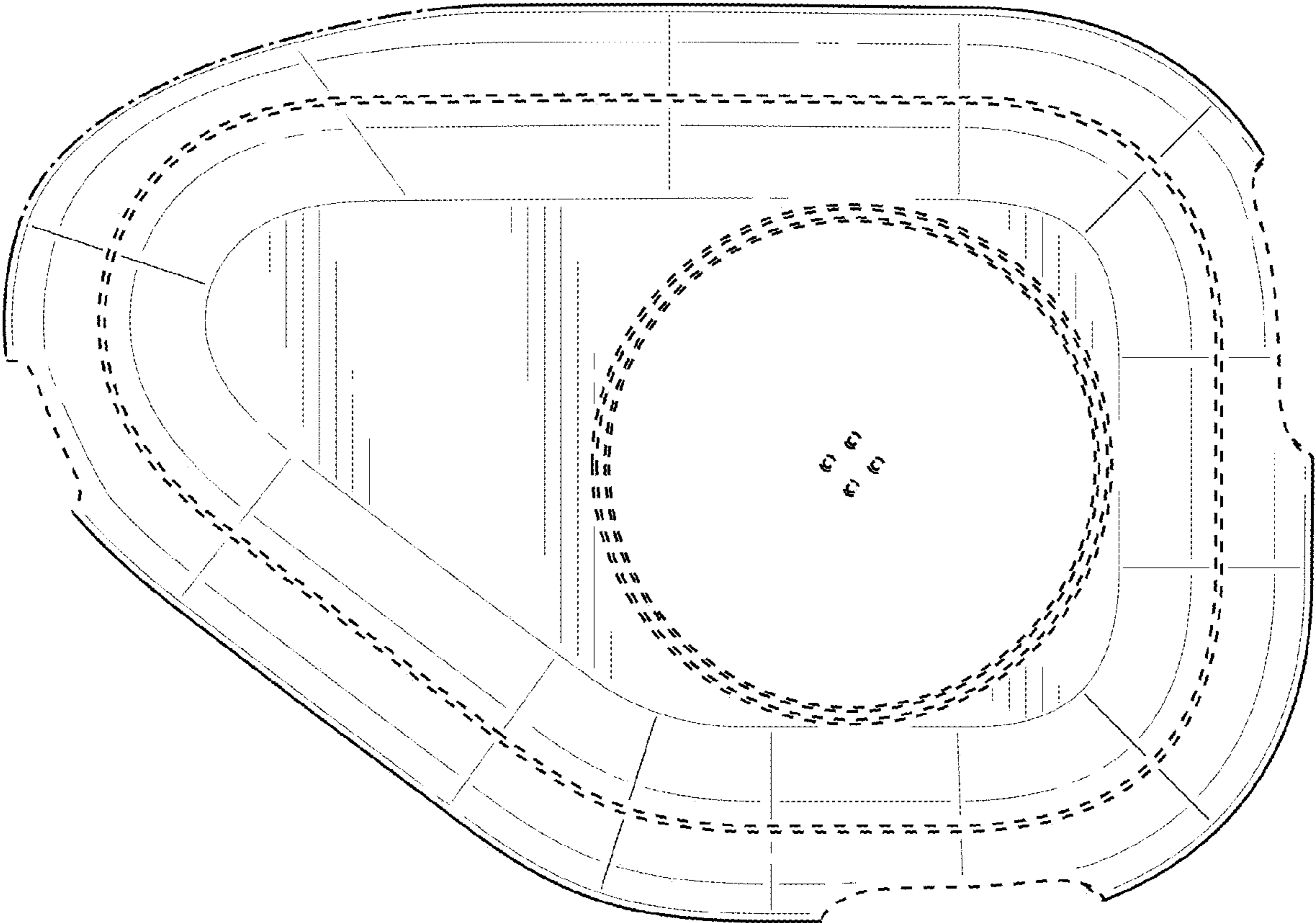


FIG. 8

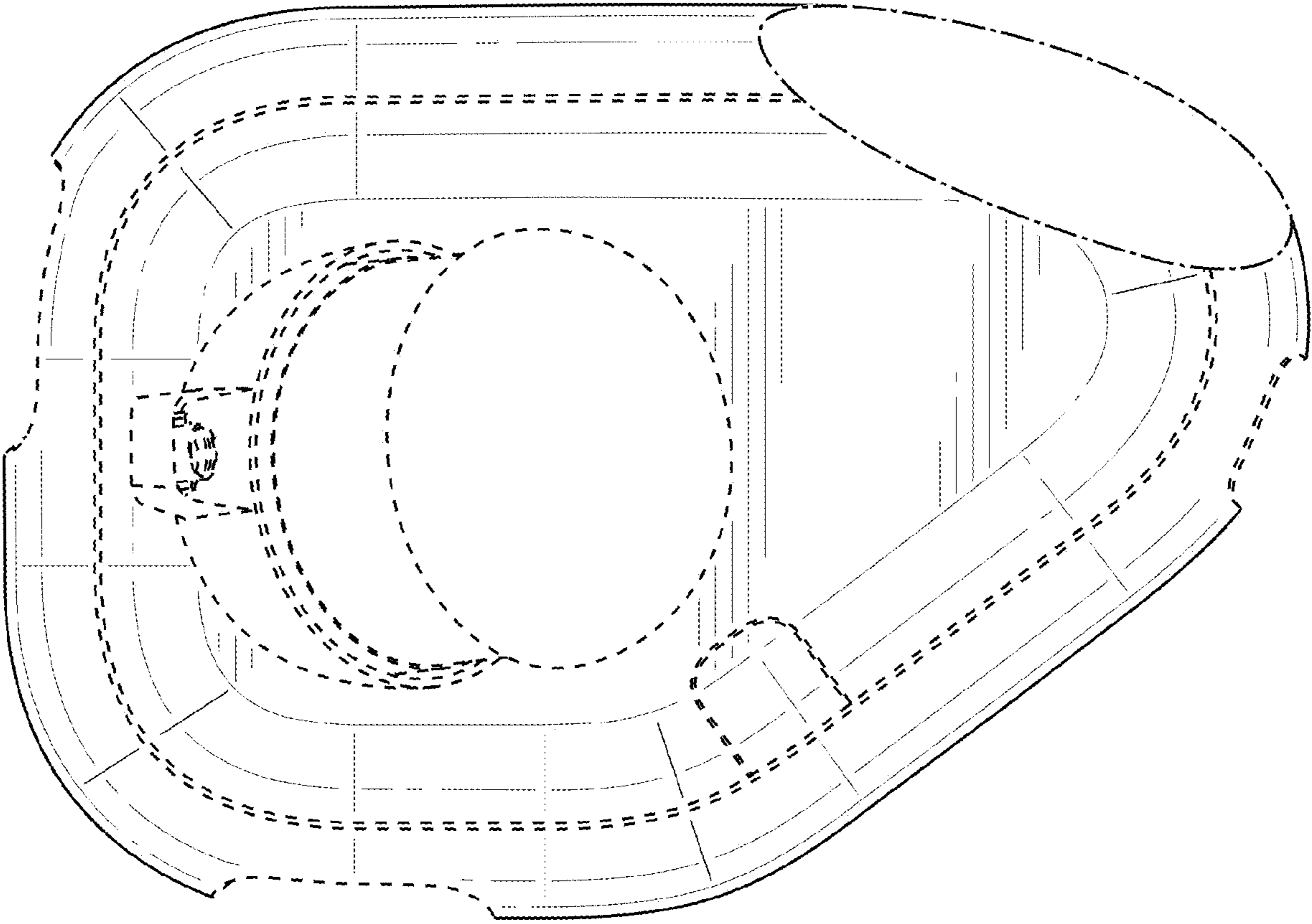


FIG. 9

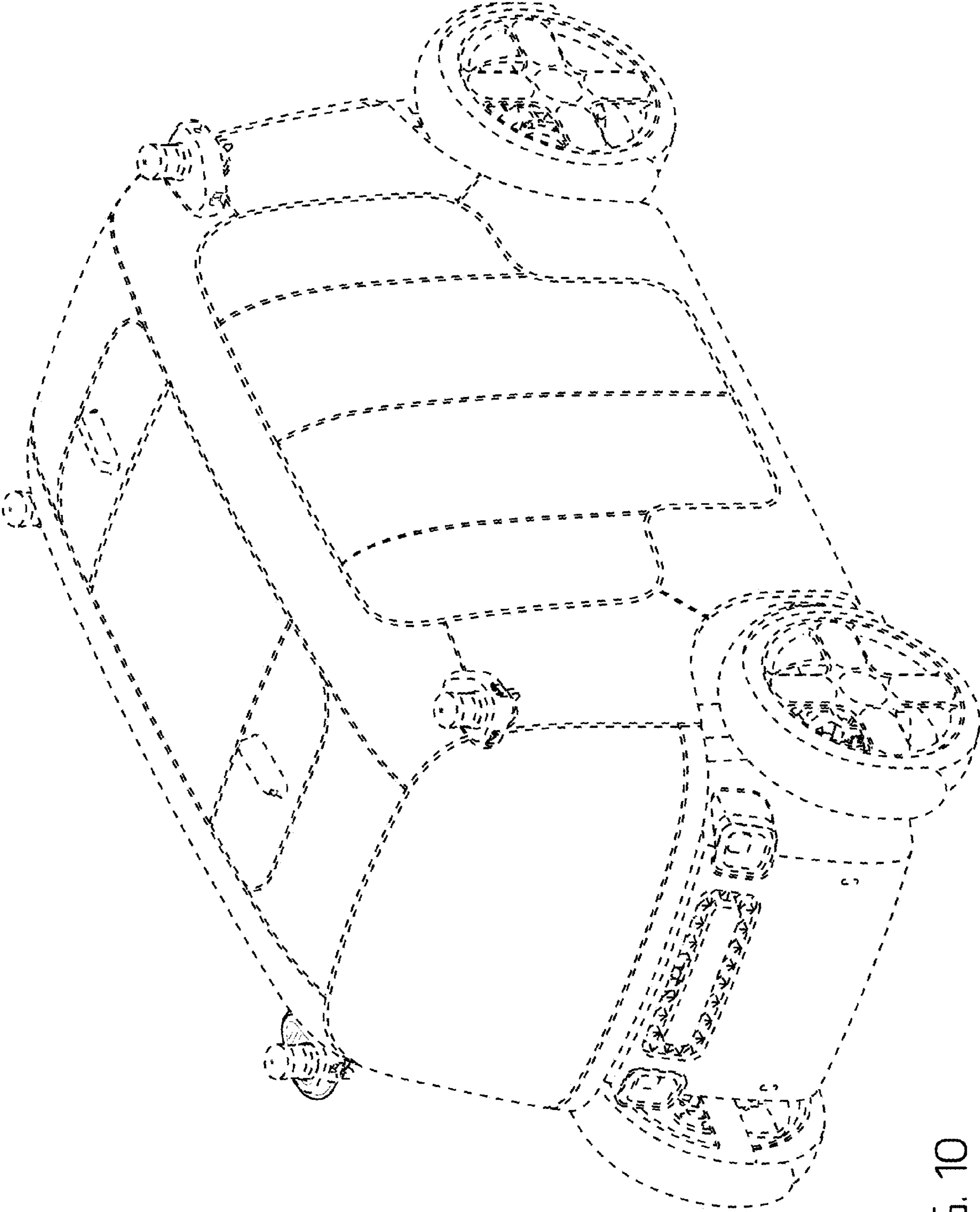


FIG. 10