



US00D950403S

(12) **United States Design Patent** (10) **Patent No.:** **US D950,403 S**
Trulaske et al. (45) **Date of Patent:** **** May 3, 2022**

- (54) **GOLF CLUB ALIGNMENT DEVICE** 5,174,572 A * 12/1992 Ho A63B 69/3632
33/334
- (71) Applicants: **James A Trulaske**, St. Louis, MO 5,632,484 A 5/1997 Lambert
(US); **Michael Trulaske**, St. Louis, MO D429,171 S * 8/2000 Bernal Vazquez D10/69
(US) D609,123 S * 2/2010 Pace A63B 69/3632
D10/65
- (72) Inventors: **James A Trulaske**, St. Louis, MO 7,658,682 B2 2/2010 Hoium
(US); **Michael Trulaske**, St. Louis, MO D622,341 S 8/2010 Pepin
(US) 7,946,926 B1 5/2011 Balardeta et al.
8,668,595 B2 3/2014 Boyd
(Continued)
- (73) Assignee: **Trulaske Companies, LLC**, St. Louis, MO (US) *Primary Examiner* — Antoine Duval Davis
(74) *Attorney, Agent, or Firm* — Paul M. Denk
- (**) Term: **15 Years** (57) **CLAIM**
- (21) Appl. No.: **29/742,188** The ornamental design for the golf club alignment device, as shown and described.
- (22) Filed: **Apr. 9, 2020**

DESCRIPTION

This application is a continuation-in-part of the non-provisional patent application to the same inventors filed under Ser. No. 16/873,412, filed on Apr. 8, 2020.

FIG. 1 is an isometric view of the golf club alignment device of this invention;
 FIG. 2 is a top plan view of the invention;
 FIG. 3 is a left side view;
 FIG. 4 is a right side view; the back view being a mirror image thereof;
 FIG. 5 is a bottom view;
 FIG. 6 is a front view;
 FIG. 7 is a schematic view showing a golfer utilizing a golf club including the alignment device of this invention, applied to the top of its hand grip;
 FIG. 8 is an exploded view of the golf club alignment device of this invention; and,
 FIG. 9 is a top view of a modified alignment device for the handle of the golf club.

The broken line showing of a human figure with golf is included for the purpose of illustrating non-claimed subject matter and forms no part of the claimed design.

1 Claim, 2 Drawing Sheets

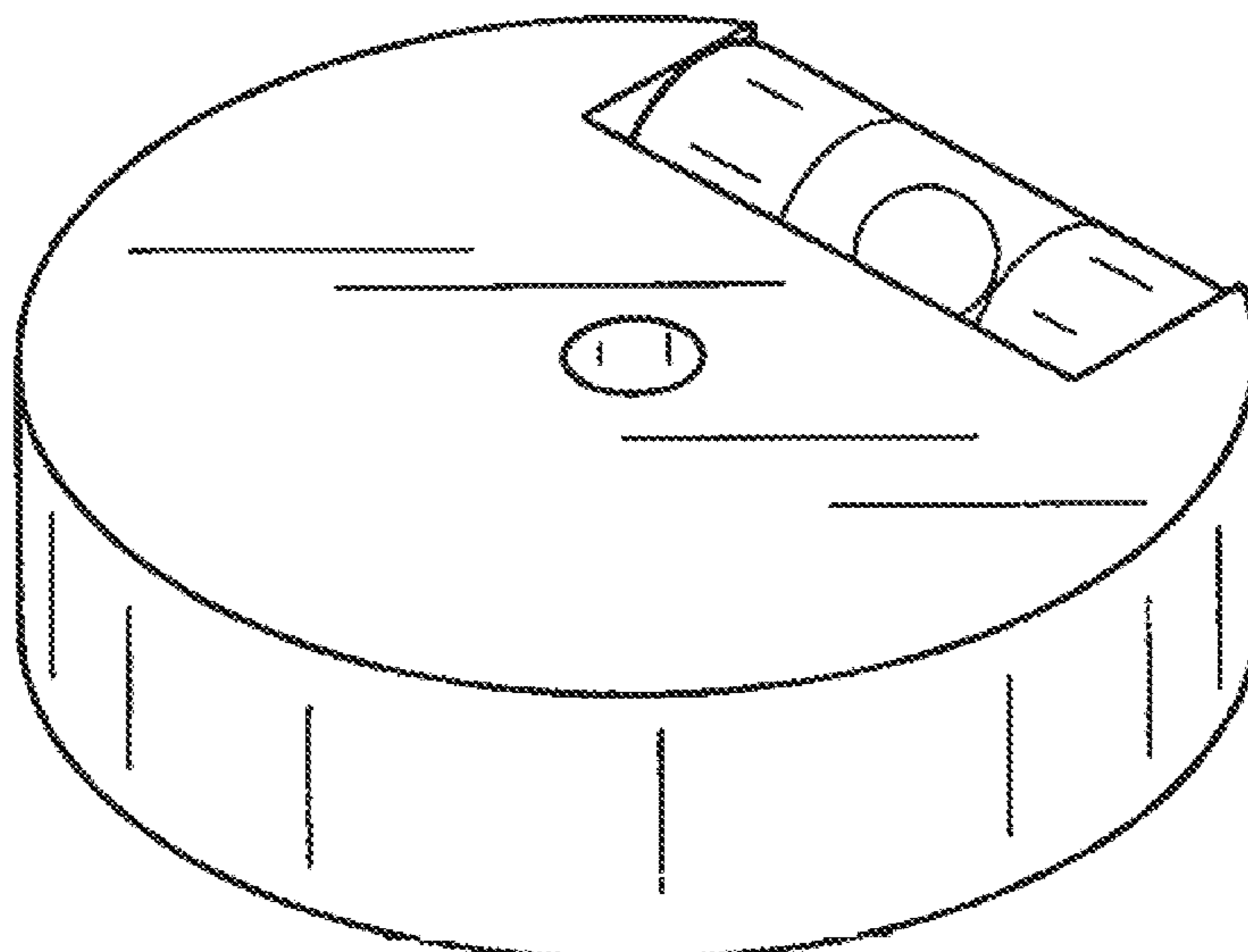
Related U.S. Application Data

- (63) Continuation-in-part of application No. 16/350,421, filed on Nov. 15, 2018, now abandoned.
- (51) **LOC (13) Cl.** **10-04**
- (52) **U.S. Cl.**
USPC **D10/69; D10/65; D21/793**
- (58) **Field of Classification Search**
USPC **D10/65, 69, 70; D21/793**
CPC **A63B 69/3632; A63B 69/3629; A63B 69/3635**
See application file for complete search history.

References Cited

U.S. PATENT DOCUMENTS

- 2,356,311 A * 8/1944 Geier G01C 9/36
33/390
- D249,657 S * 9/1978 Griffiths 33/390
- 4,125,944 A * 11/1978 Esposito B25H 1/0085
33/334
- 4,482,155 A 11/1984 Higley
- 4,659,083 A 4/1987 Szczepanski



(56)

References Cited

U.S. PATENT DOCUMENTS

8,715,096	B2	5/2014	Cherbini	
8,894,502	B2 *	11/2014	Rose	A63B 69/3632 473/223
9,061,188	B2	6/2015	Nathan	
9,114,295	B2	8/2015	Huang	
D748,508	S *	2/2016	Park	B25H 1/0085 D10/70
9,361,781	B2	6/2016	Holzapfel et al.	
9,409,076	B2	8/2016	Boyd et al.	
2013/0267336	A1	10/2013	Boyd et al.	
2016/0184661	A1	6/2016	Barrett	

* cited by examiner

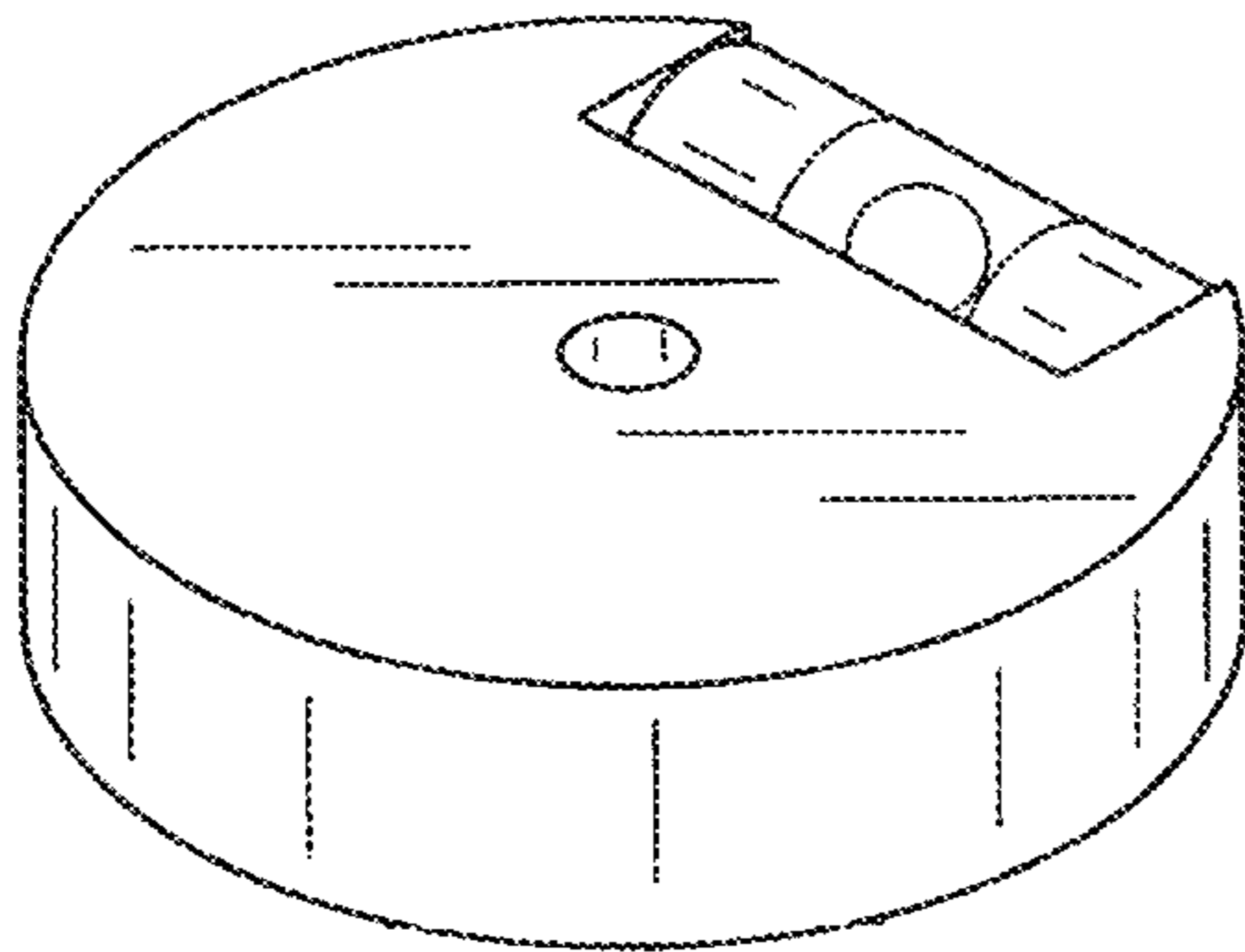


FIG. 1

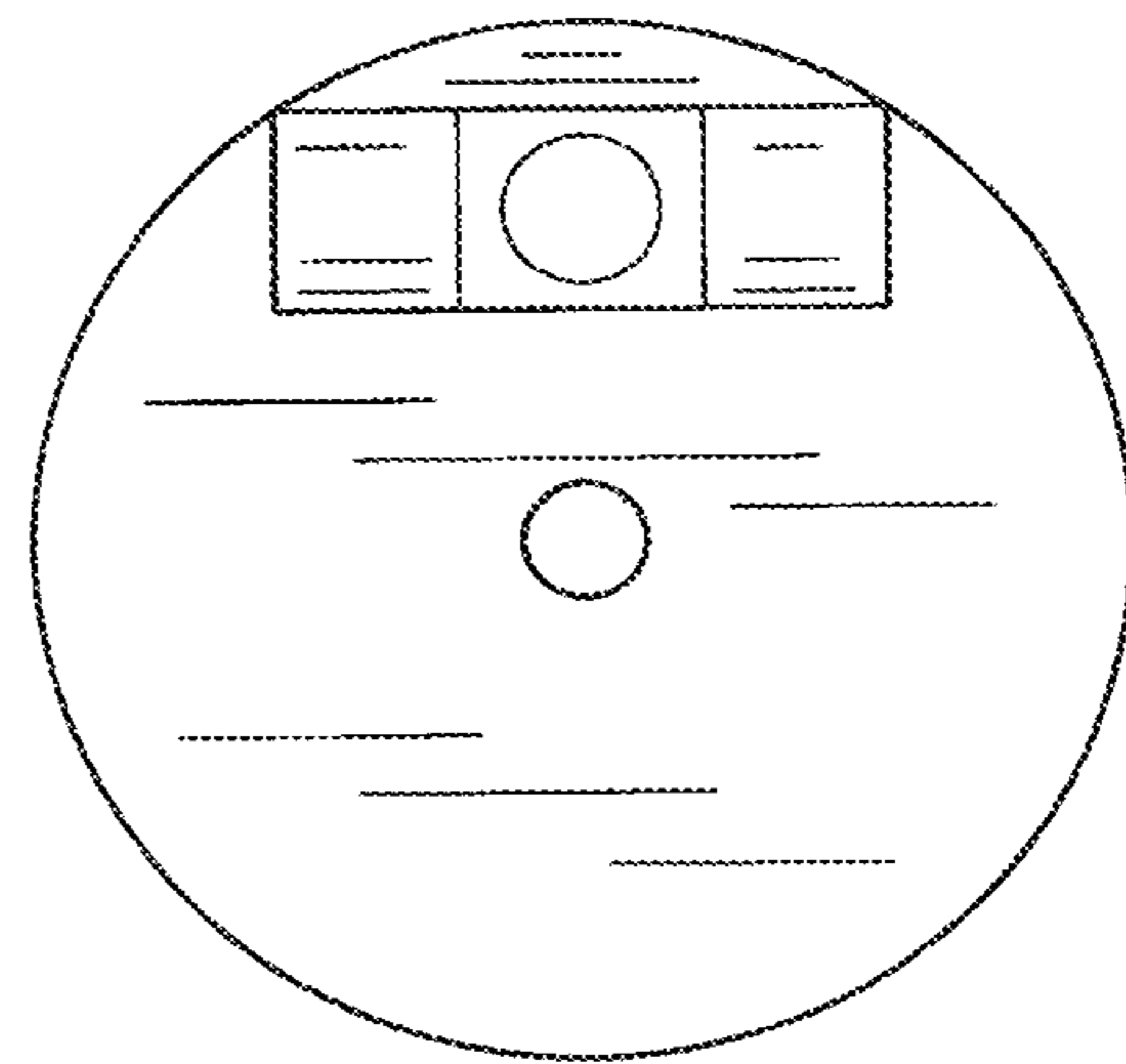


FIG. 2

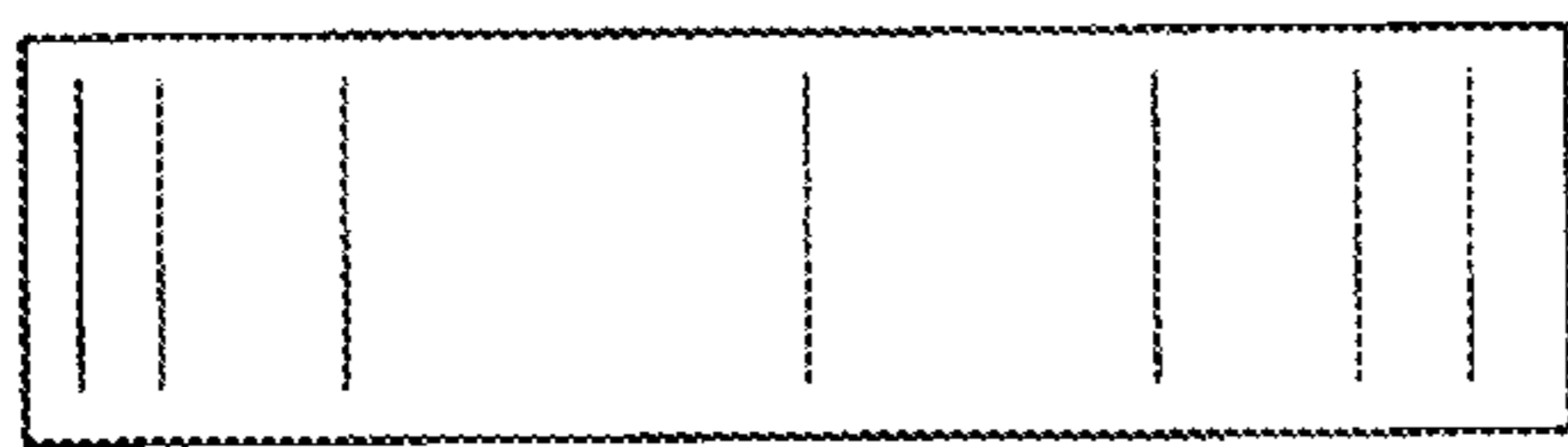


FIG. 3

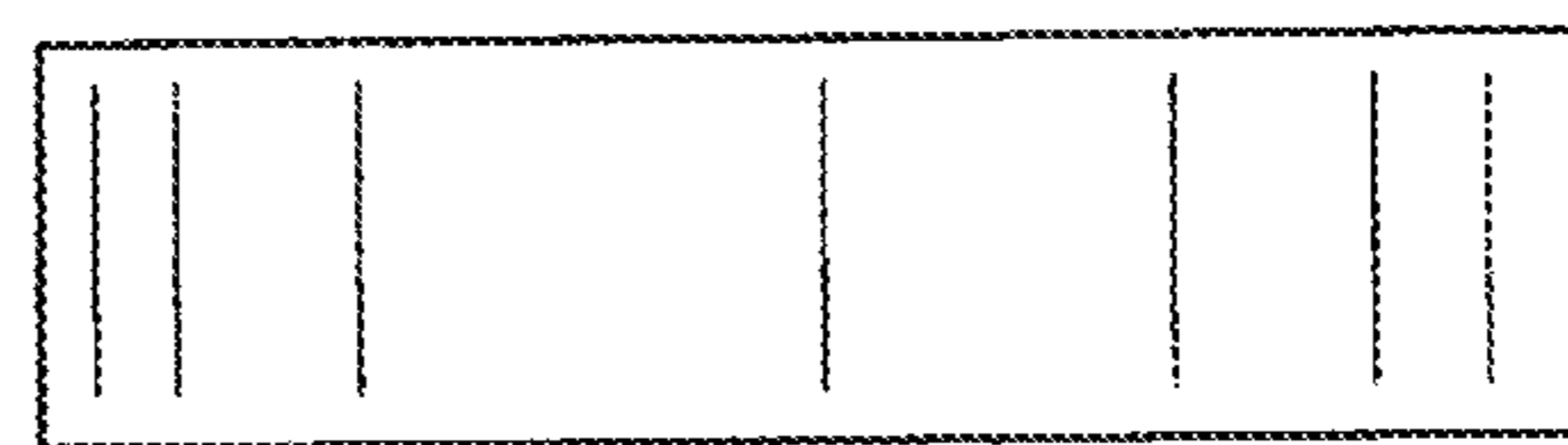


FIG. 4

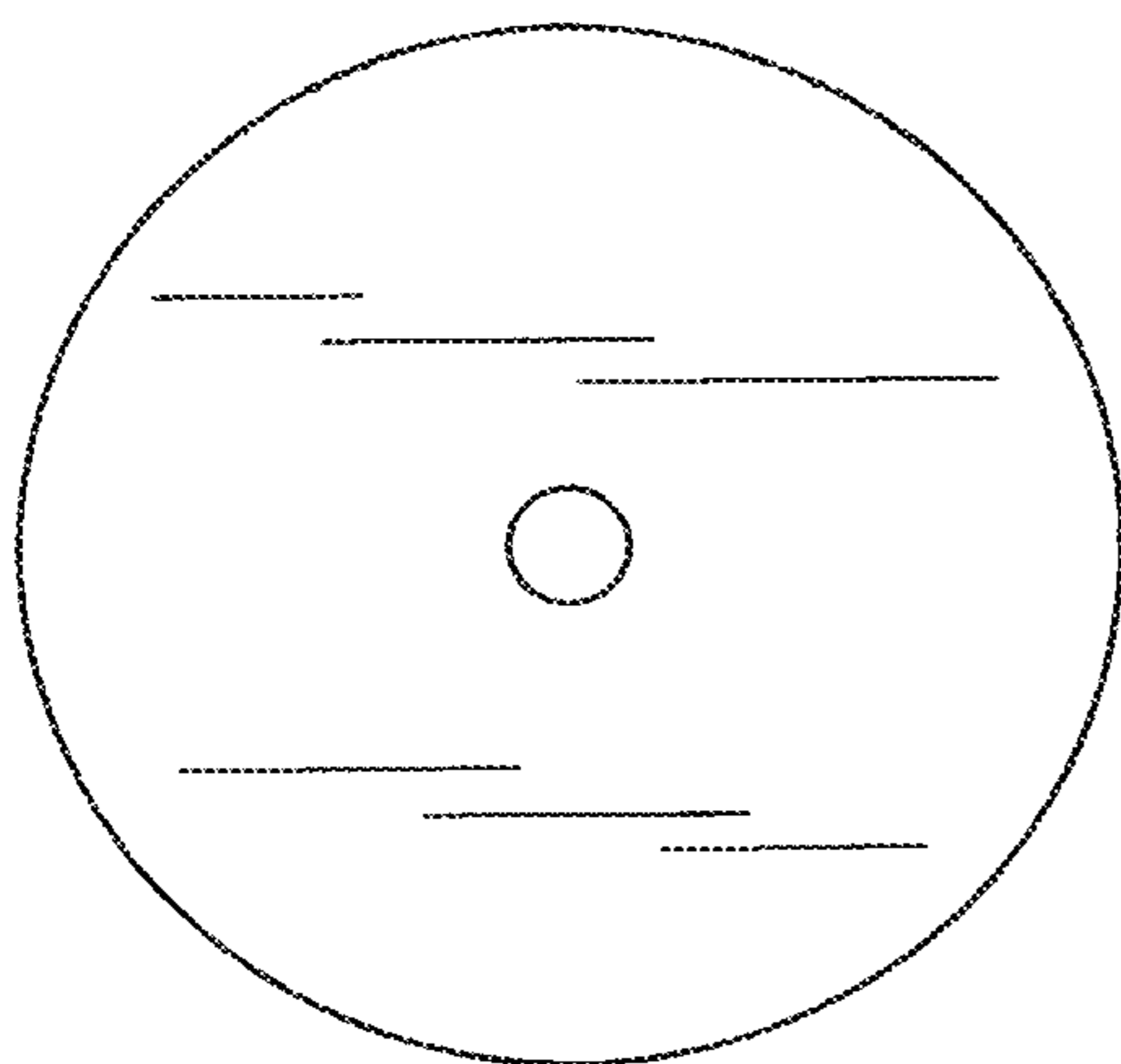


FIG. 5

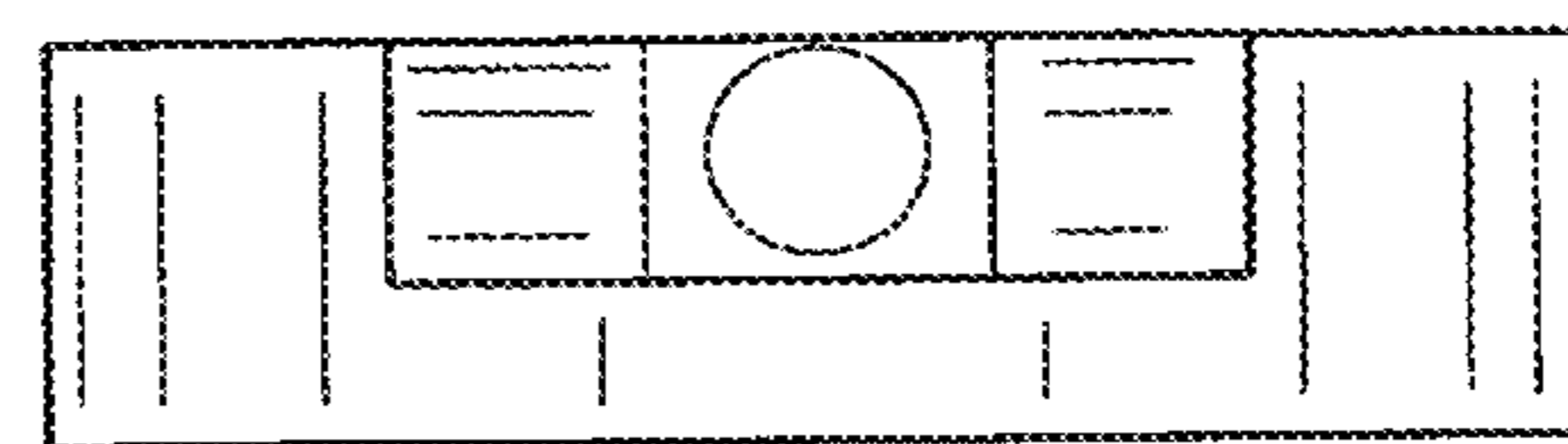


FIG. 6

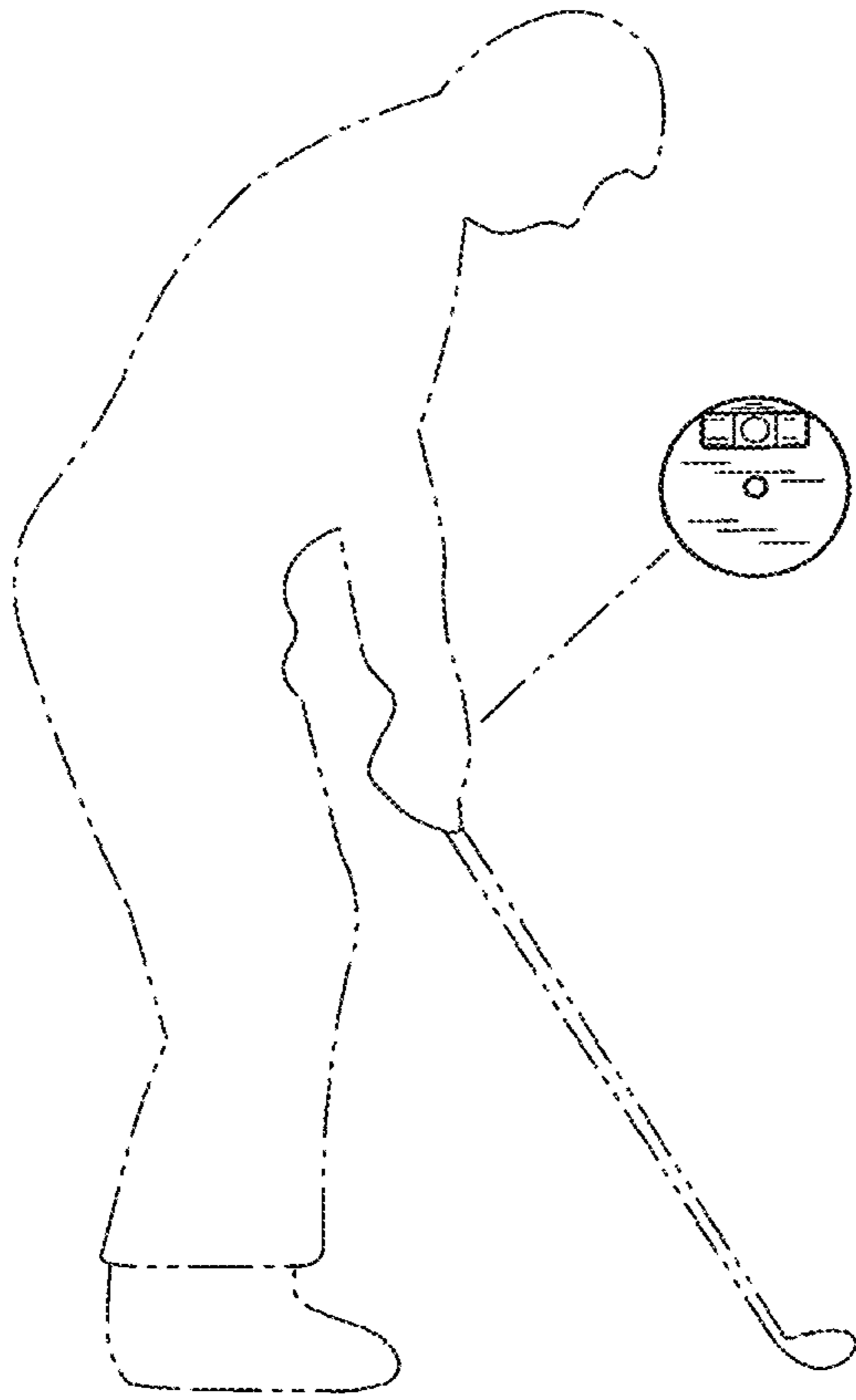


FIG. 7

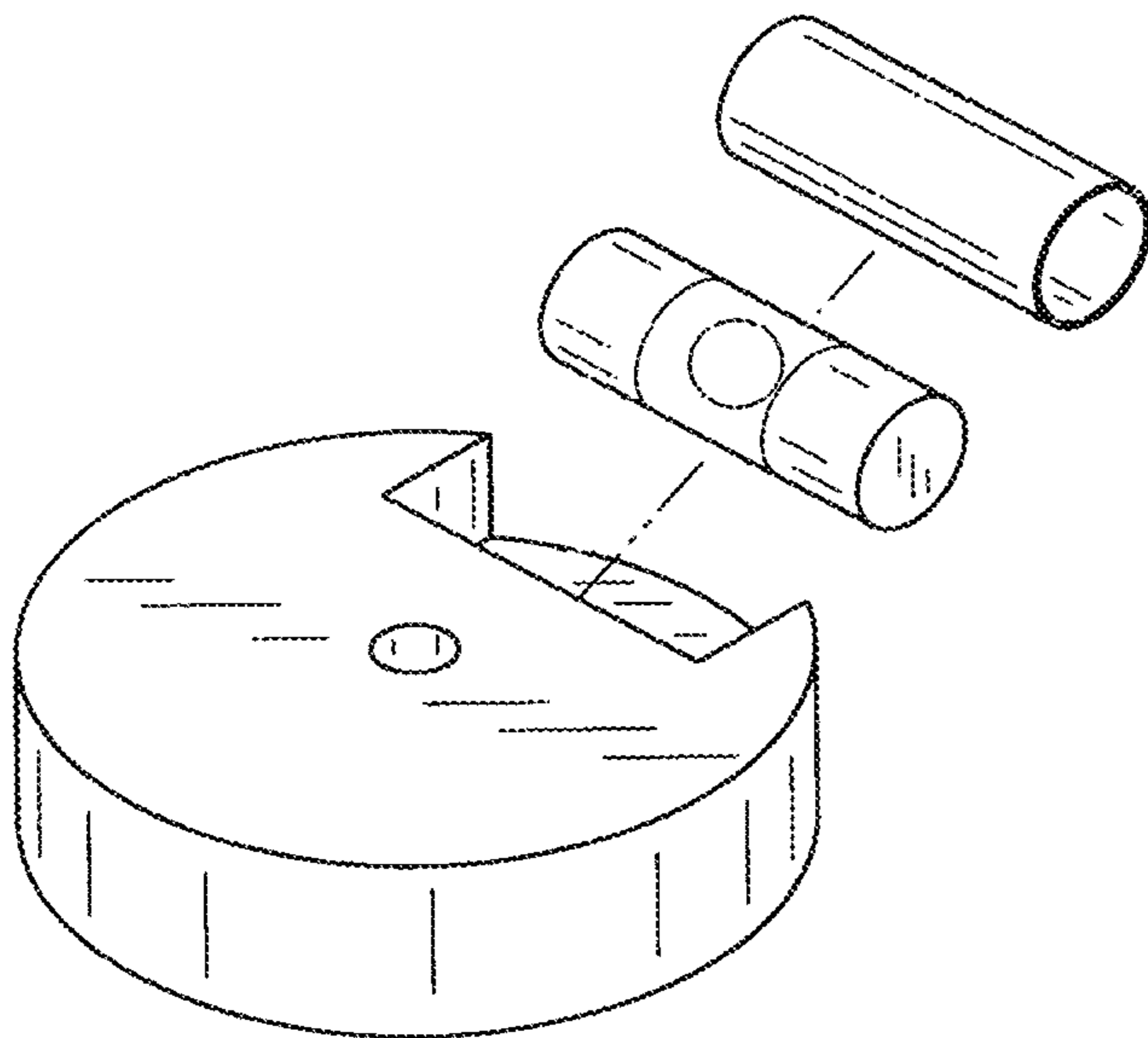


FIG. 8

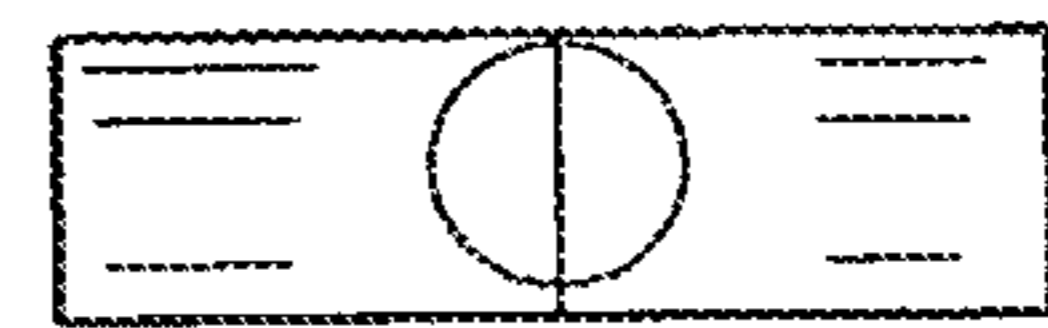


FIG. 9