



US00D950402S

(12) **United States Design Patent** (10) **Patent No.:** **US D950,402 S**
Huang (45) **Date of Patent:** **** May 3, 2022**

(54) **THERMOMETER**

(71) Applicant: **SHENZHEN ZHONGDE AUDIO-TECHNICAL CO., LTD.**,
Shenzhen (CN)

(72) Inventor: **Zhengdong Huang**, Yancheng (CN)

(73) Assignee: **SHENZHEN ZHONGDE AUDIO-TECHNICAL CO., LTD.**,
Shenzhen (CN)

(**) Term: **15 Years**

(21) Appl. No.: **29/733,163**

(22) Filed: **Apr. 30, 2020**

(51) **LOC (13) Cl.** **10-04**

(52) **U.S. Cl.**
USPC **D10/57**

(58) **Field of Classification Search**

USPC **D10/57**

CPC **G01K 1/02; G01K 1/022; G01K 1/024;**

G01K 1/08; G01K 1/083; G01K 1/086;

G01K 3/00-3/14; G01K 2003/145; G01K

13/002; G01K 13/004; G01K 2219/00;

G01K 5/04-5/225; G01K 5/22; G01K

221/00; G01J 5/04; G01J 5/041; G01J

5/042; G01J 5/043; G01J 5/044; G01J

5/045; G01J 5/046; G01J 5/047; G01J

5/048; G01J 5/049; G01J 5/0265

See application file for complete search history.

(56) **References Cited**

U.S. PATENT DOCUMENTS

D827,457 S * 9/2018 Liu D10/57

D842,137 S * 3/2019 Wang D10/57

D881,041 S * 4/2020 Luo D10/57

D916,603 S * 4/2021 Lim D10/57

D916,605 S * 4/2021 Yue D10/57

D924,081 S * 7/2021 Li D10/57

D926,603 S * 8/2021 Wang D10/57

D926,604 S * 8/2021 Wang D10/57

* cited by examiner

Primary Examiner — Antoine Duval Davis

(57) **CLAIM**

The ornamental design for a thermometer, as shown and described.

DESCRIPTION

FIG. 1 is a perspective view of the thermometer showing my new design;

FIG. 2 is a front elevational view thereof;

FIG. 3 is a rear elevational view thereof;

FIG. 4 is a left side elevational view thereof;

FIG. 5 is a right side elevational view thereof;

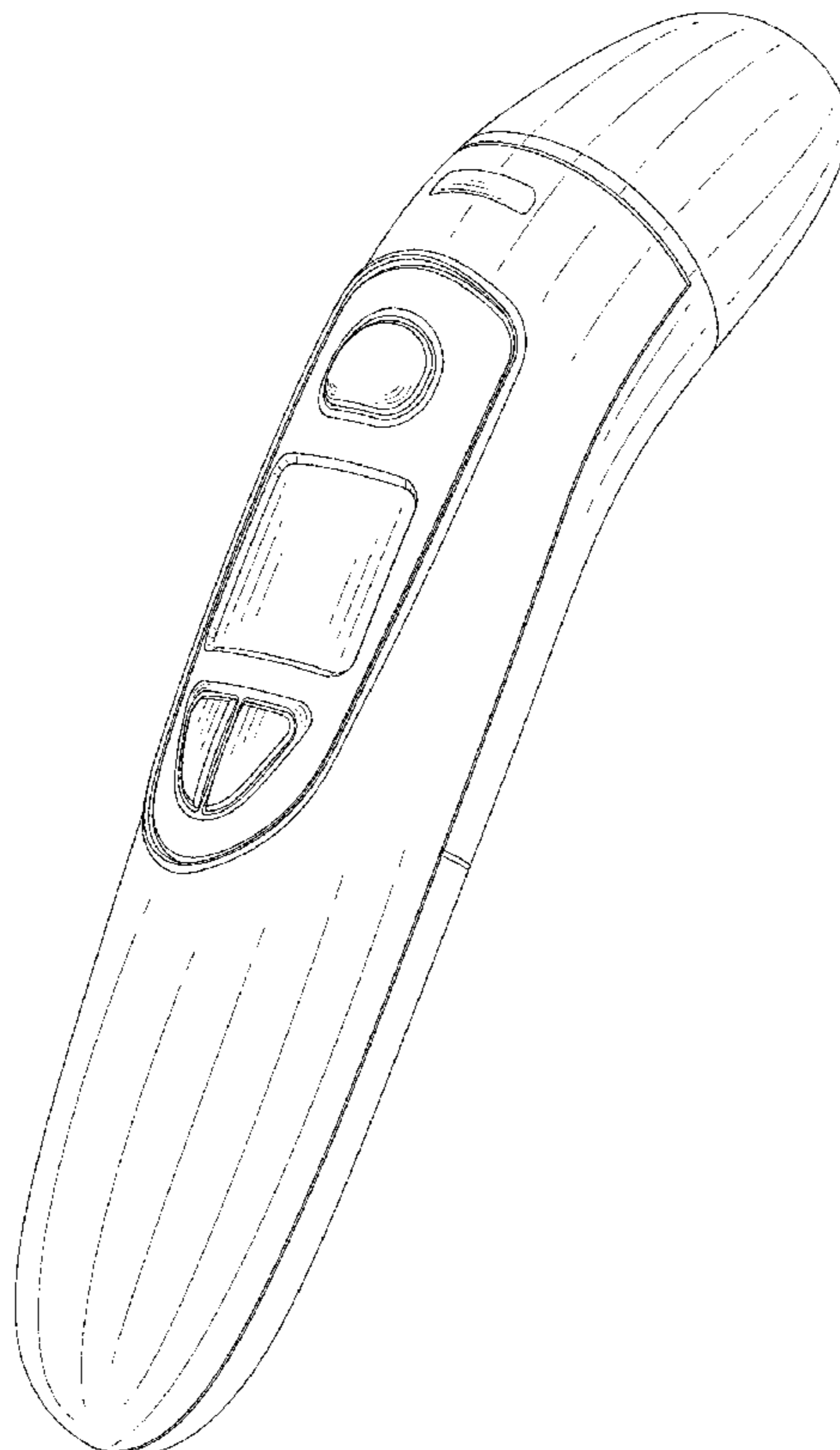
FIG. 6 is a top plan view thereof;

FIG. 7 is a bottom plan view thereof; and,

FIG. 8 is another perspective view thereof.

The broken lines in the drawings depict portions of the thermometer that form no part of the claimed design.

1 Claim, 8 Drawing Sheets



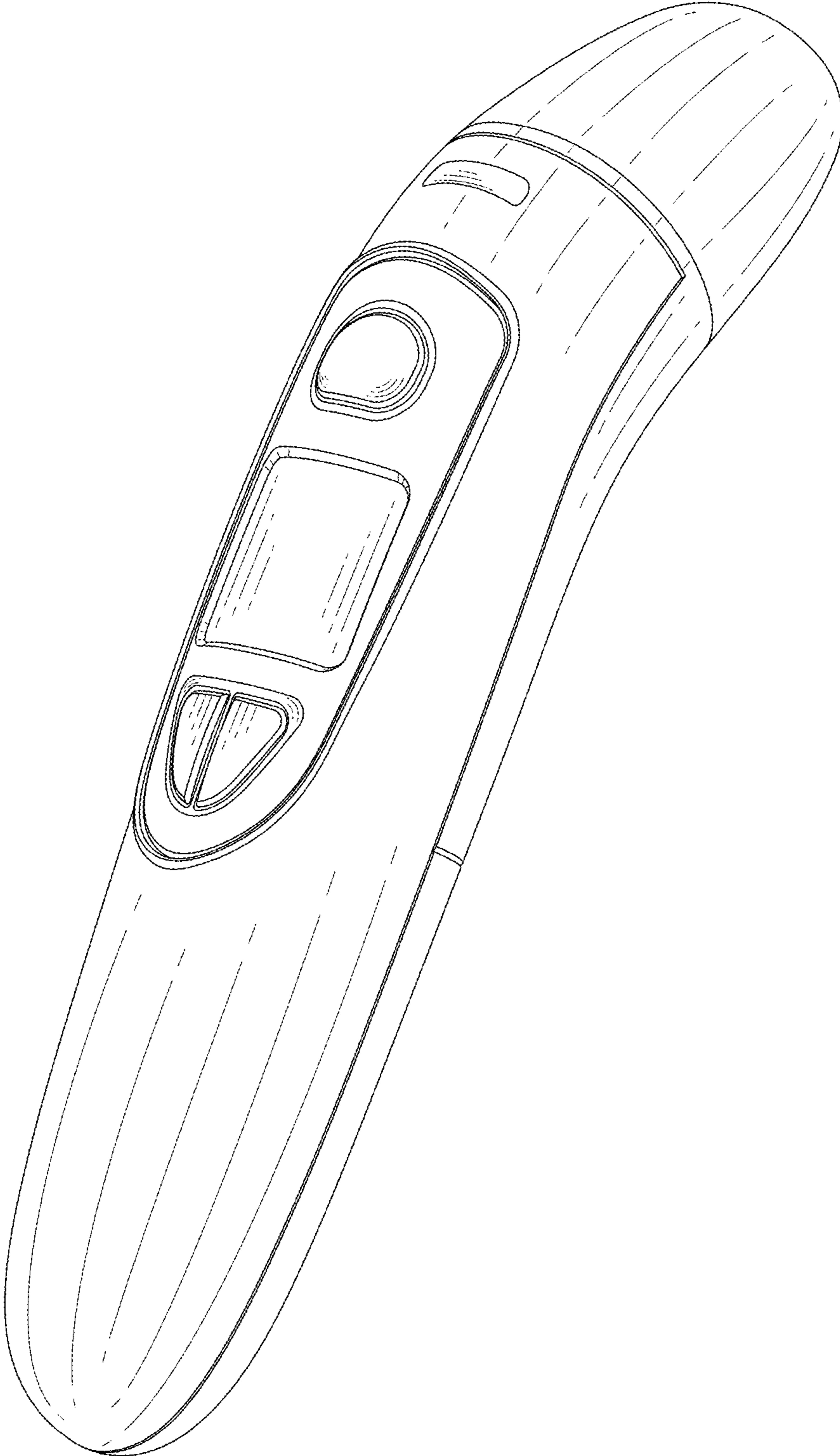


FIG. 1

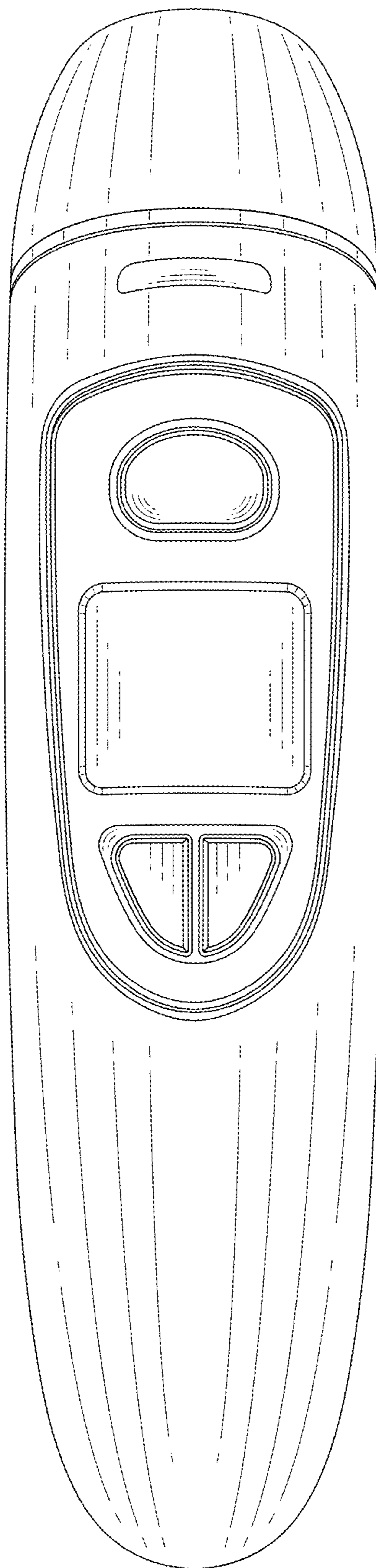


FIG. 2

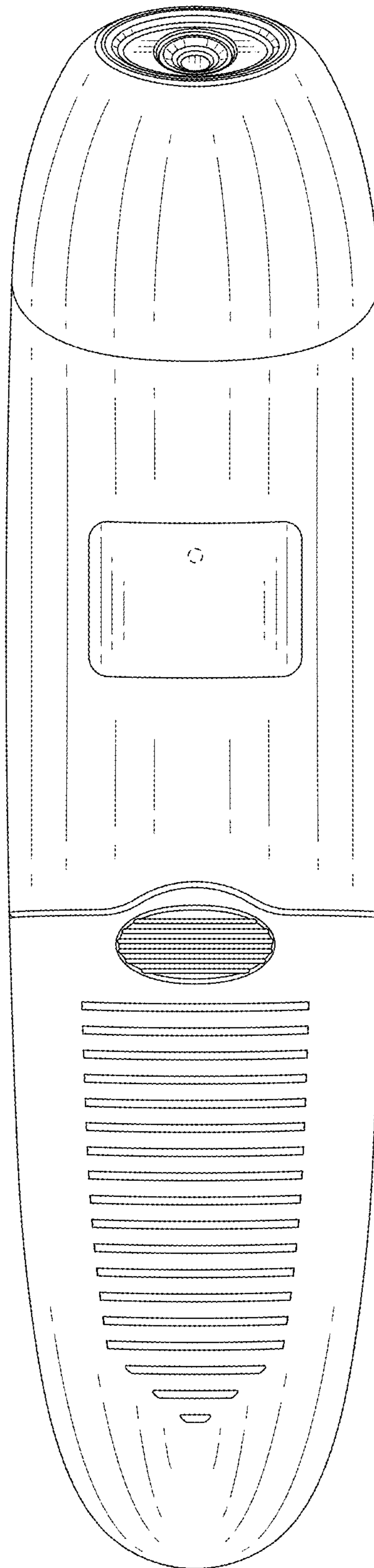


FIG. 3

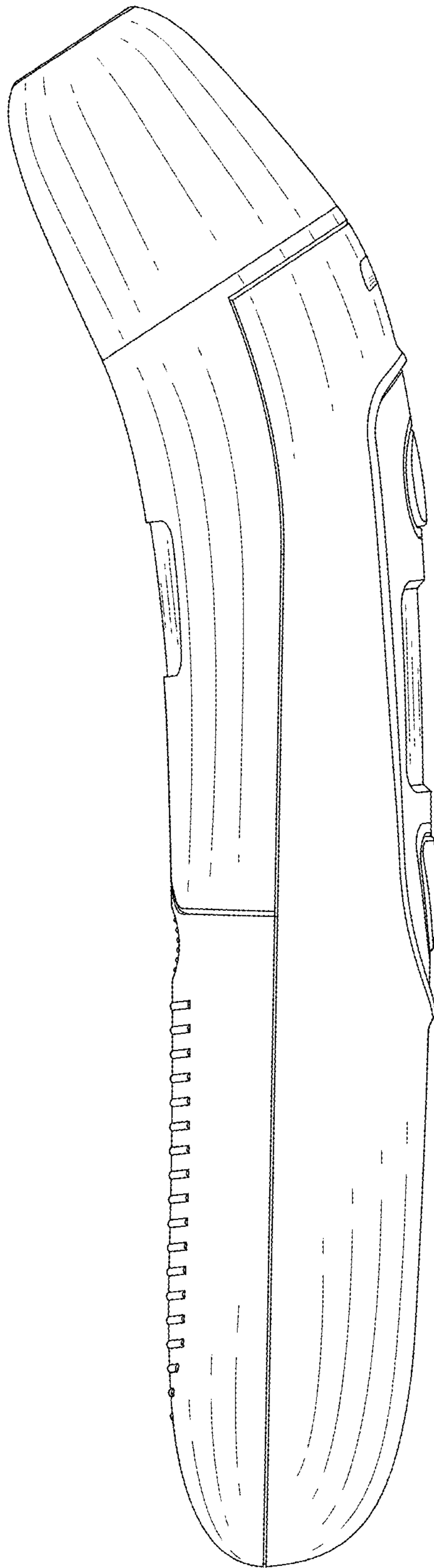


FIG. 4

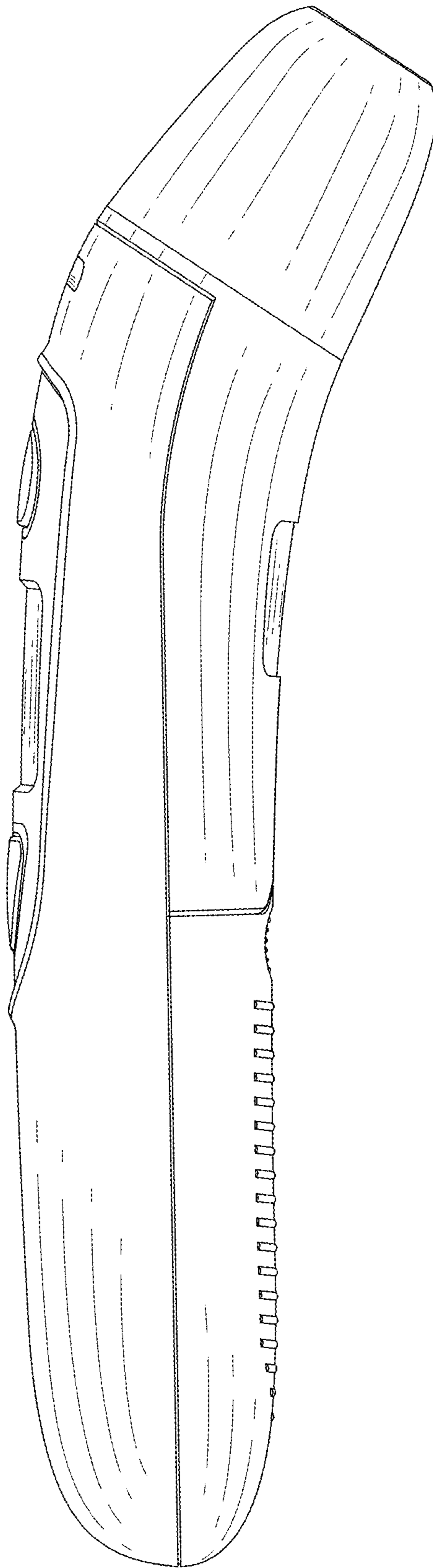


FIG. 5

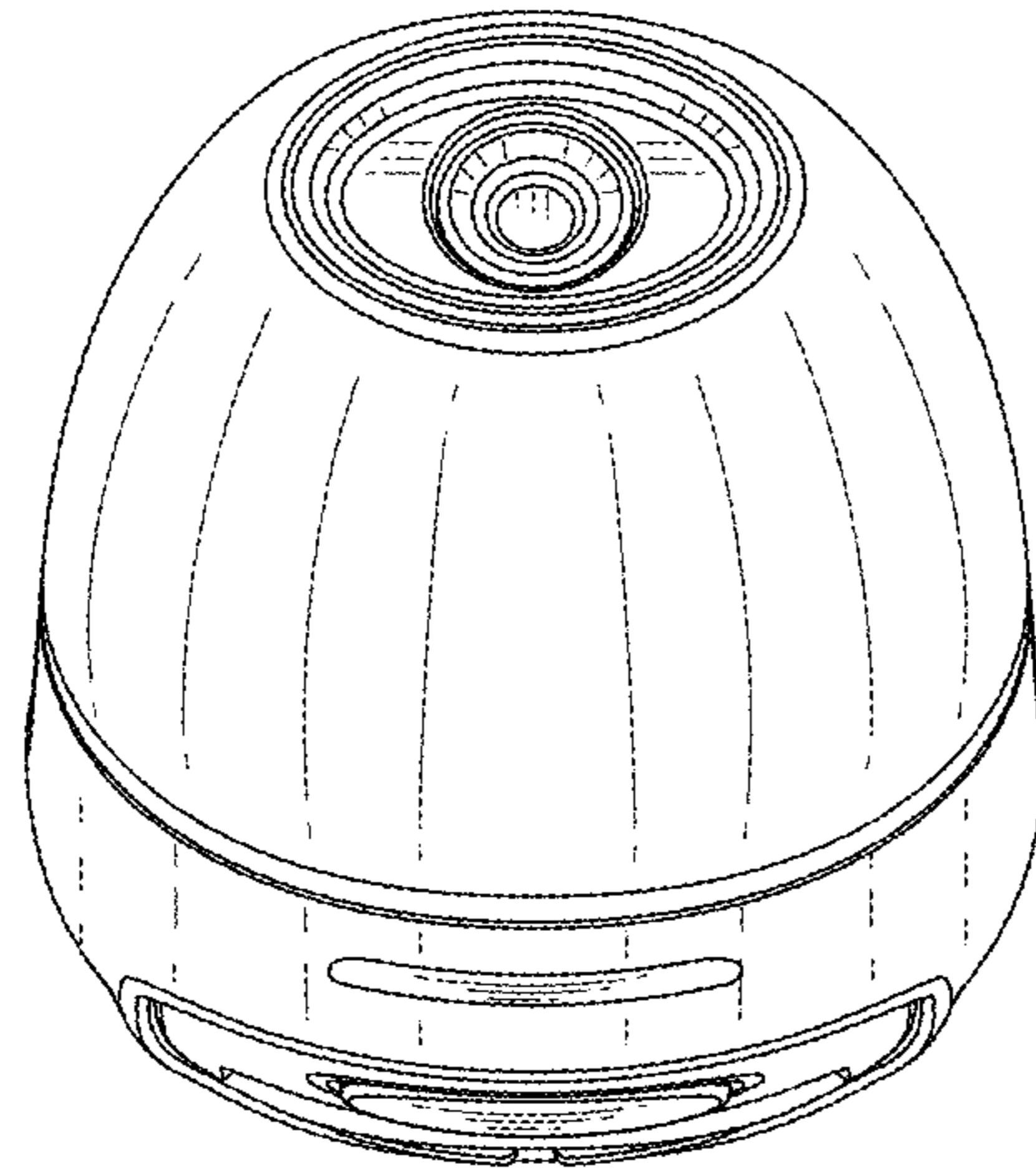


FIG. 6

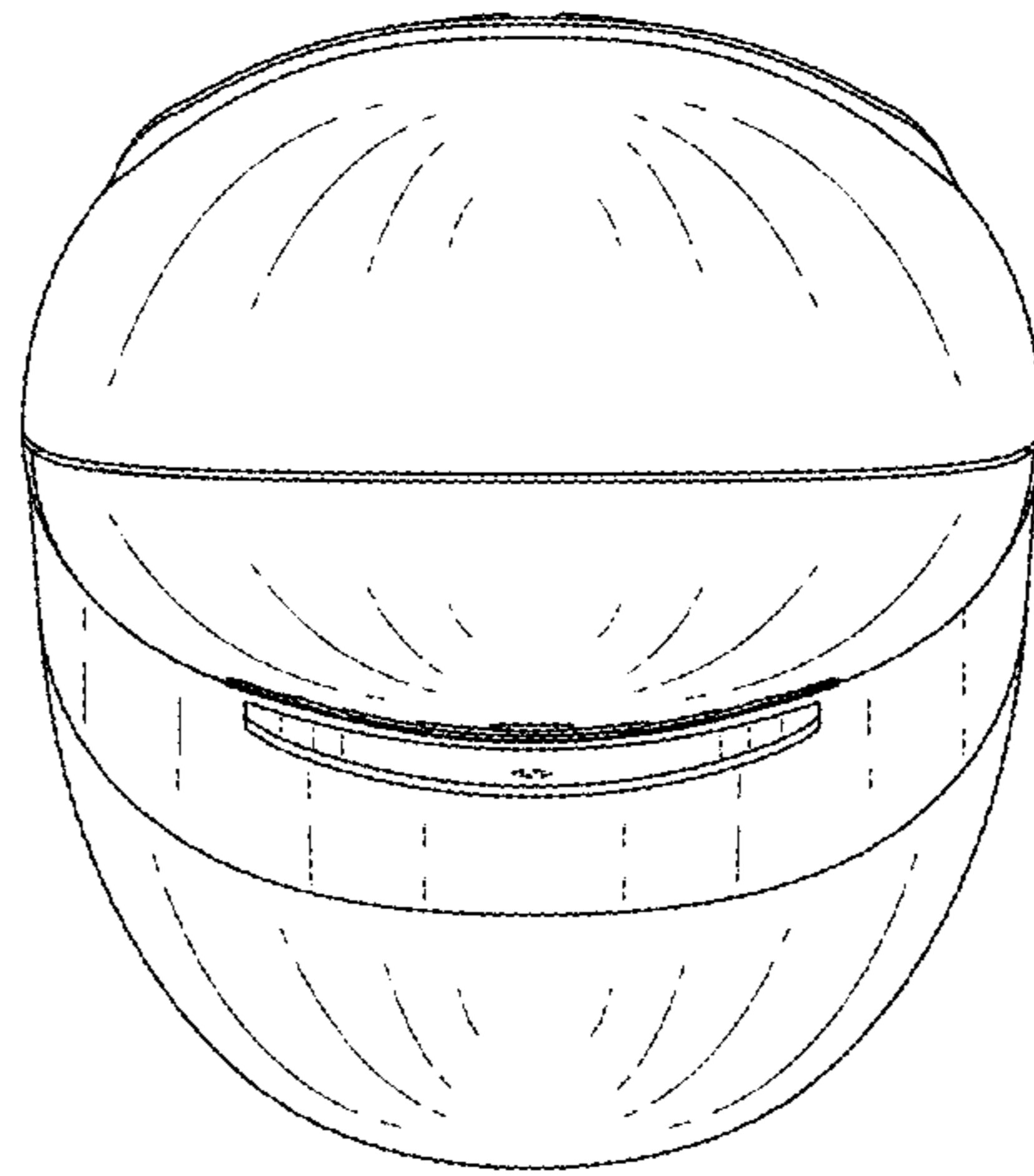


FIG. 7

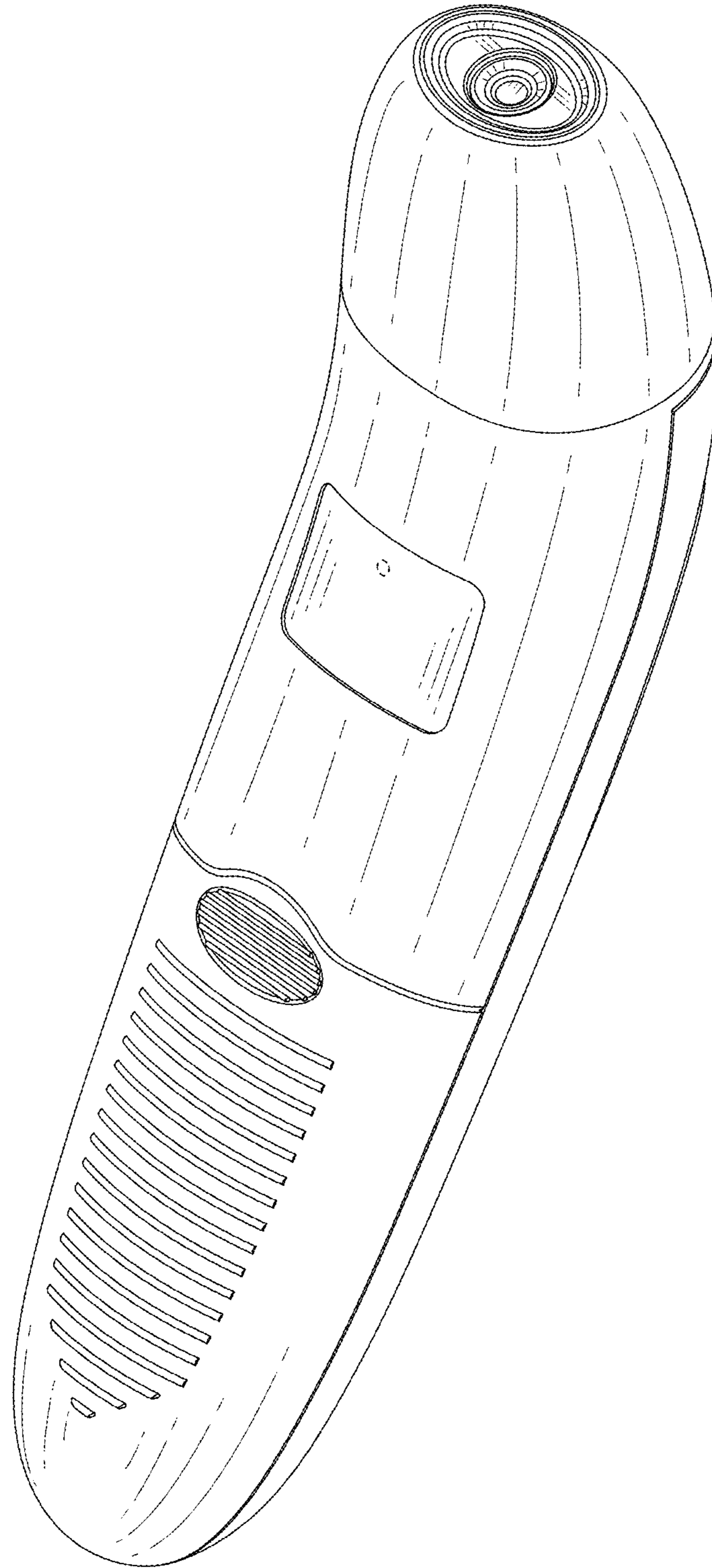


FIG. 8