



US00D950401S

(12) **United States Design Patent** (10) **Patent No.:** **US D950,401 S**
Huang (45) **Date of Patent:** **** May 3, 2022**

(54) **THERMOMETER AND HYGROMETER**
(71) Applicant: **SHENZHEN YIBOYI INDUSTRY CO., LTD.**, Shenzhen (CN)
(72) Inventor: **Hailong Huang**, Shantou (CN)
(73) Assignee: **SHENZHEN YIBOYI INDUSTRY CO., LTD.**, Shenzhen (CN)
(**) Term: **15 Years**
(21) Appl. No.: **29/737,516**
(22) Filed: **Jun. 9, 2020**
(51) **LOC (13) Cl.** **10-04**
(52) **U.S. Cl.**
USPC **D10/53; D10/52; D13/162.1; D14/336**
(58) **Field of Classification Search**
USPC D10/51, 52, 53, 56, 57; D13/162, 162.1, D13/168; D14/126, 336, 371, 375, 389; 341/123; 345/104, 156, 168, 173-178, 345/905; 348/180, 184, 325, 739, 348/790-794, 836
CPC .. G01W 1/10; G01W 2203/00; G01N 29/036; G01N 2291/0256; G01N 2291/02845; G01N 27/12; G01N 27/121; A61F 2007/0086; A61F 2007/0087; A61F 2007/0093; A61F 2007/0094; A61F 2007/0095; A61F 2007/0096; G01S 19/13; G01S 19/14; G01S 19/35; G01S 5/0027; G01K 13/00; G01K 13/02; G01K 13/10; G01K 13/12; G01K 13/20; G01K 2201/00; G01K 2201/02

See application file for complete search history.

(56) References Cited	
U.S. PATENT DOCUMENTS	
4,979,155 A *	12/1990 Tung G04B 19/082 368/223
D518,744 S *	4/2006 Rosen D10/50
D693,699 S *	11/2013 Hsu D10/4
9,804,636 B2 *	10/2017 Barnett A63F 13/92
D813,693 S *	3/2018 Walker D10/53
D863,990 S *	10/2019 Hu A63F 13/92 D10/52
D864,773 S *	10/2019 Zhang D10/81
D931,123 S *	9/2021 Yu D10/57
D933,504 S *	10/2021 Wu D10/52
D935,333 S *	11/2021 Bai G04B 19/082 D10/53

* cited by examiner

Primary Examiner — Antoine D. Davis

(57) **CLAIM**

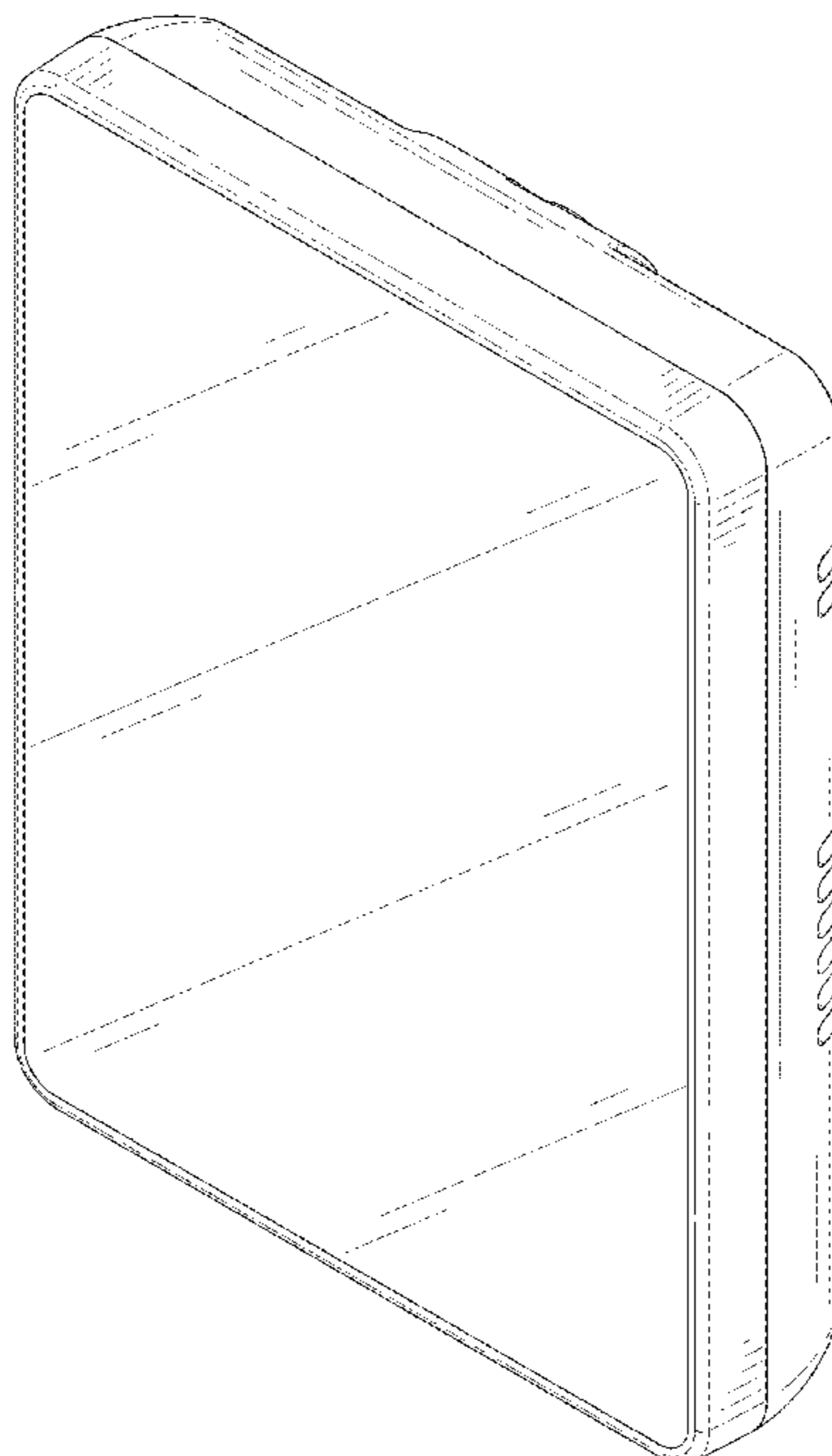
The ornamental design for a thermometer and hygrometer, as shown and described.

DESCRIPTION

FIG. 1 is a perspective view of a thermometer and hygrometer showing my new design;
FIG. 2 is another perspective view thereof;
FIG. 3 is a front elevational view thereof;
FIG. 4 is a rear elevational view thereof;
FIG. 5 is a left side elevational view thereof;
FIG. 6 is a right side elevational view thereof;
FIG. 7 is a top plan view thereof; and,
FIG. 8 is a bottom plan view thereof.

The broken lines in the drawings depict portions of the thermometer and hygrometer that form no part of the claimed design.

1 Claim, 8 Drawing Sheets



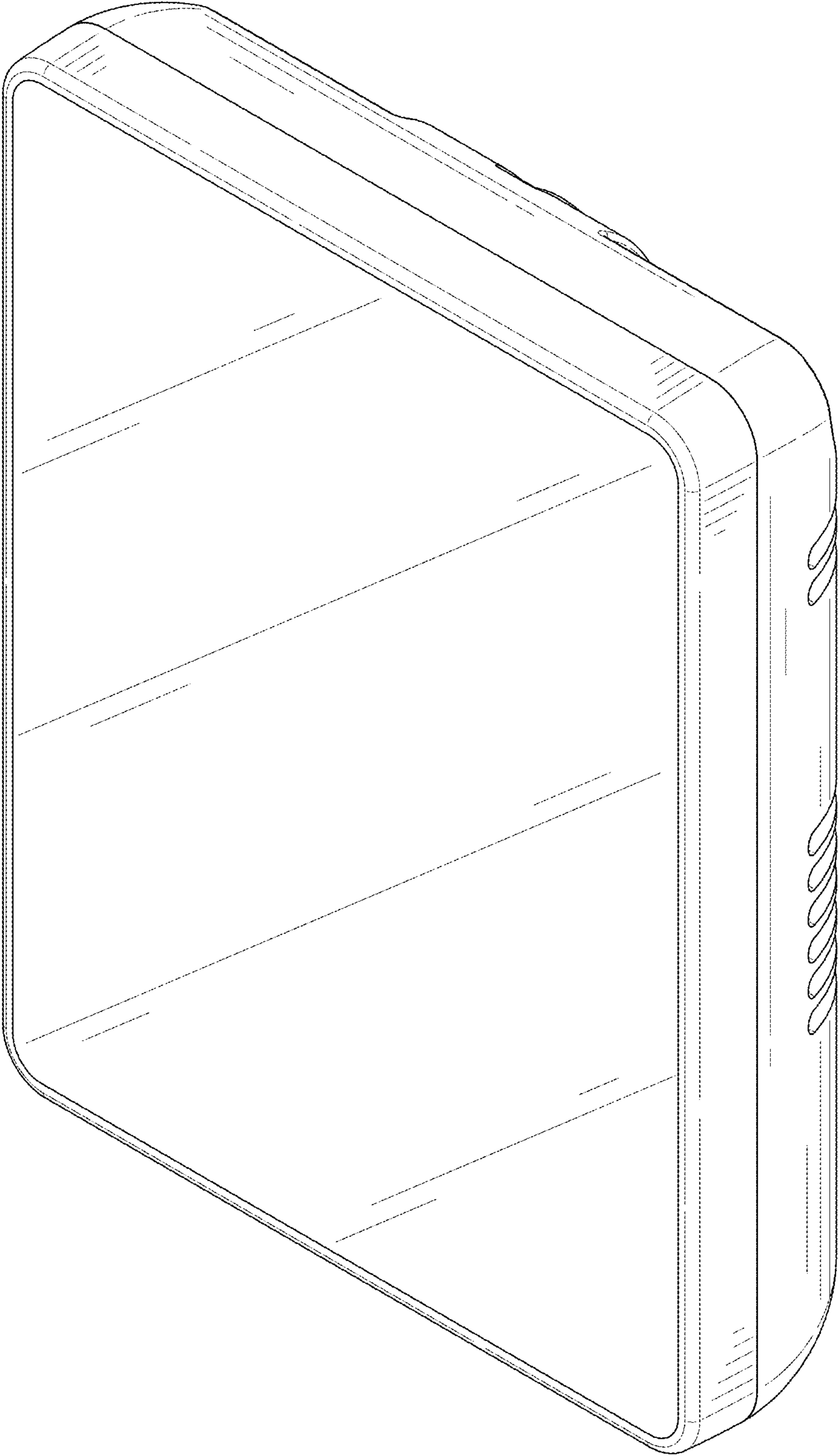


FIG. 1

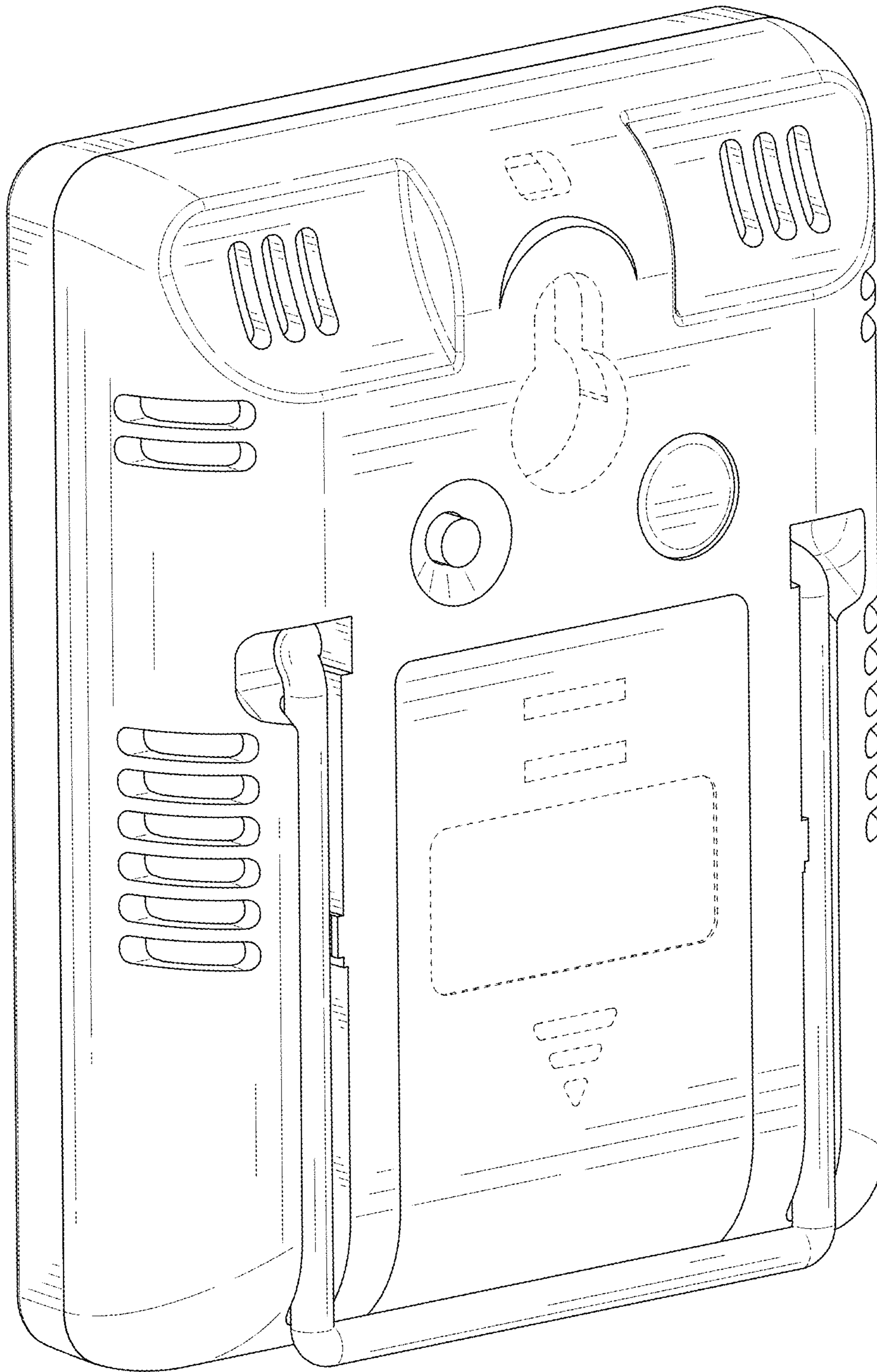


FIG. 2

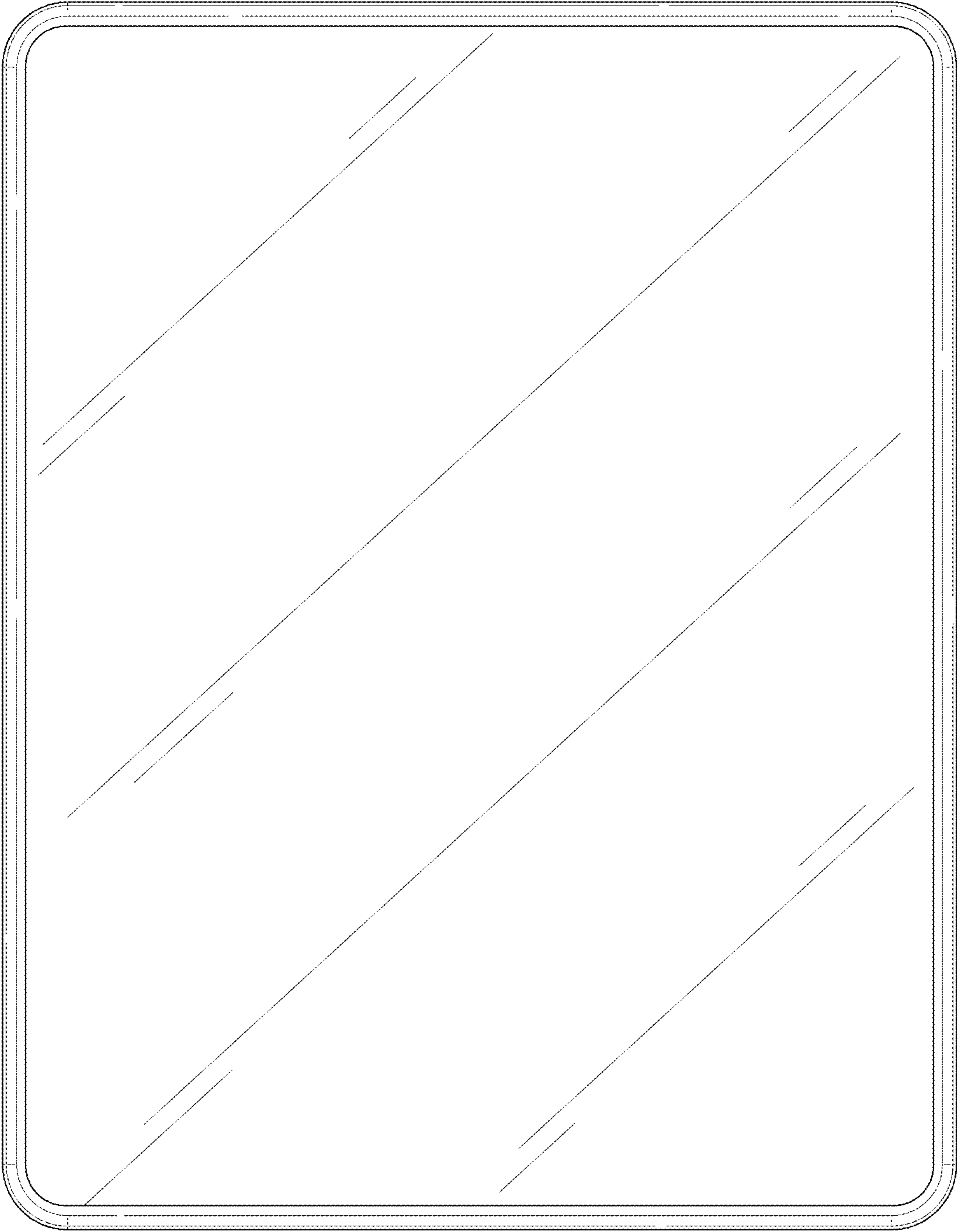


FIG. 3

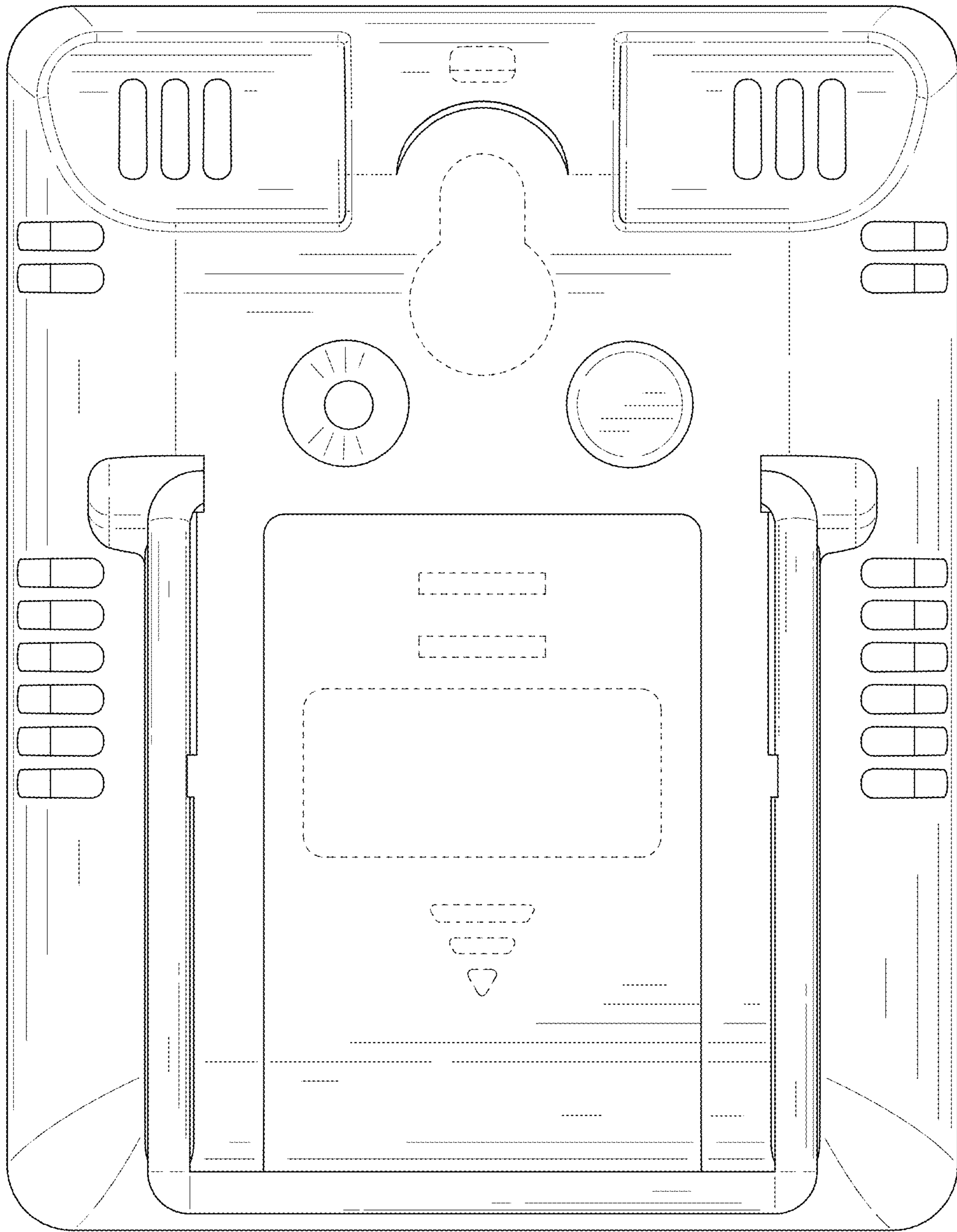


FIG. 4

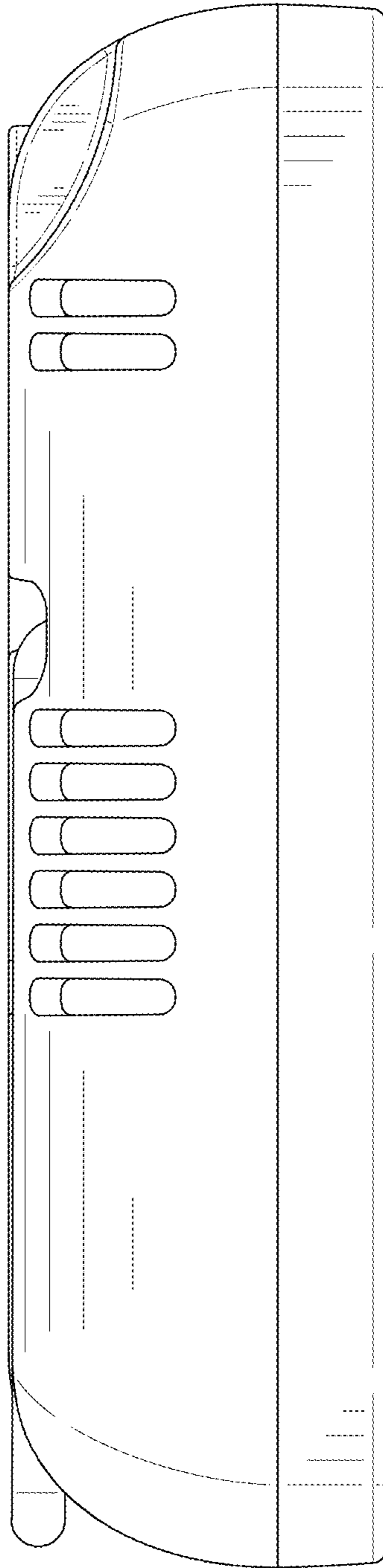


FIG. 5

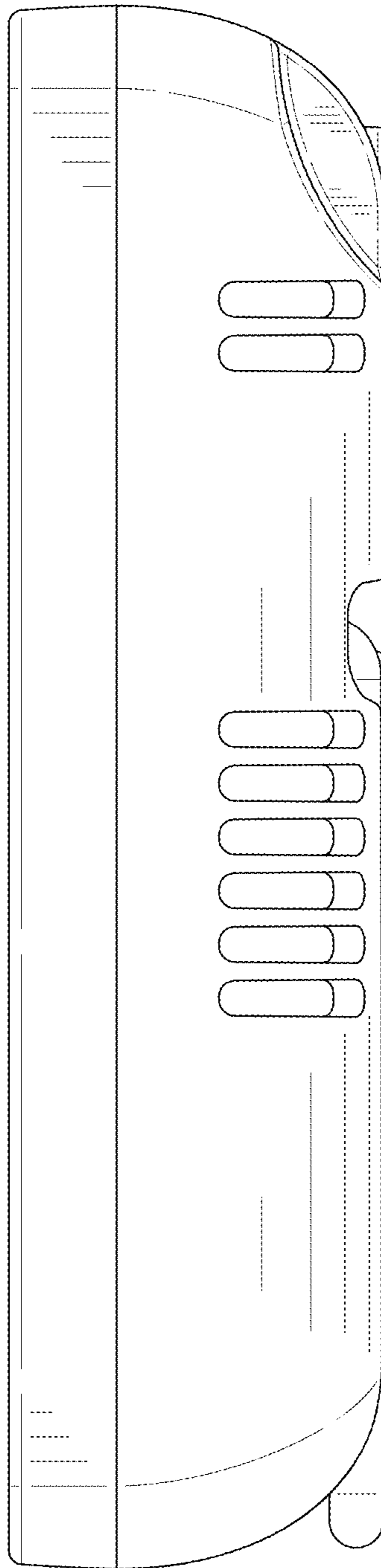


FIG. 6

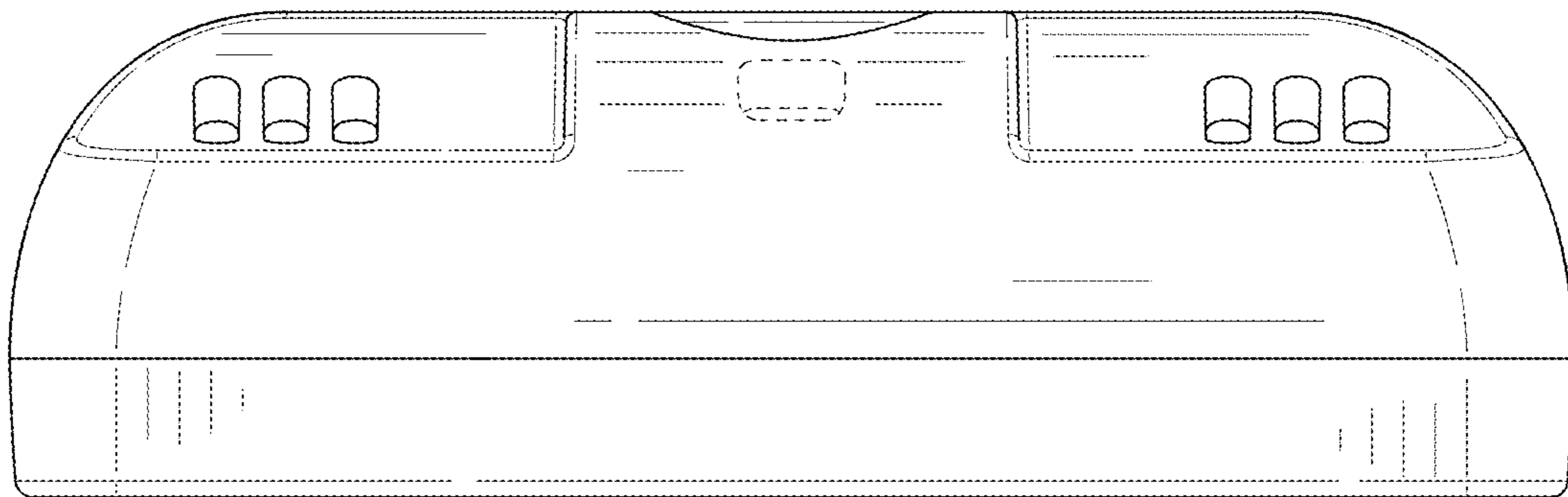


FIG. 7

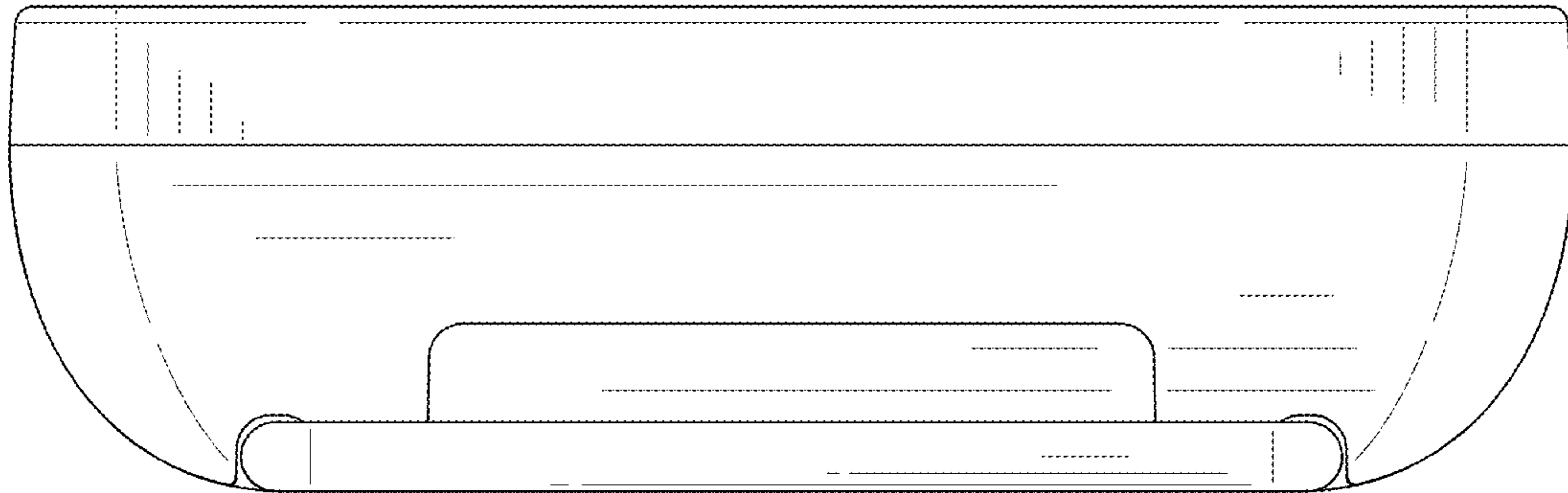


FIG. 8