

US00D950398S

(12) **United States Design Patent** (10) **Patent No.:** **US D950,398 S**
Moses (45) **Date of Patent:** **** May 3, 2022**

(54) **DIRECTIONAL SENSOR**

(71) Applicant: **SAGE ELECTROCHROMICS, INC.**,
Faribault, MN (US)

(72) Inventor: **Erik J. Moses**, Carol Stream, IL (US)

(73) Assignee: **SAGE ELECTROCHROMICS, INC.**,
Faribault, MN (US)

(**) Term: **15 Years**

(21) Appl. No.: **29/699,802**

(22) Filed: **Jul. 29, 2019**

(51) **LOC (13) Cl.** **10-04**

(52) **U.S. Cl.**
USPC **D10/52**

(58) **Field of Classification Search**
USPC D10/46, 70, 49, 50, 51, 52, 53, 55, 56,
D10/57

CPC .. B60Q 1/0017; B60Q 1/0023; B60Q 1/0029;
B60Q 1/0035; B60Q 1/0041; B60Q 1/26;
B60Q 1/2603; B60Q 1/2607; B60Q
1/2611; B60Q 9/002; B60Q 9/003; B60Q
9/004; B60Q 9/006; B60Q 9/007; B60Q
9/008; B60R 1/10; B60R 1/12; B60R
2001/1284; G01S 5/0009; G01S 5/0018;
G01S 5/0036; G01W 1/02; G01W 1/04;
G01W 1/06; G01W 1/10; G01W 1/11;
G01W 1/12; G01W 1/14; G01W 1/16;
G01W 1/17; G01W 1/18; G01W
2001/006; G01W 2201/00; G01W
2203/00

See application file for complete search history.

(56) **References Cited**

U.S. PATENT DOCUMENTS

D826,746 S	8/2018	Qiu et al.	
D882,430 S	4/2020	Haban et al.	
D885,209 S *	5/2020	Hernandez	D10/52
D893,319 S *	8/2020	Hernandez	D10/53
D896,667 S	9/2020	Chapman et al.	
D900,650 S *	11/2020	Hernandez	D10/52
D915,913 S	4/2021	Ahn et al.	
2020/0278245 A1	9/2020	Brown et al.	

* cited by examiner

Primary Examiner — Antoine Duval Davis

(74) *Attorney, Agent, or Firm* — Abel Schillinger, LLP;
Robert N Young

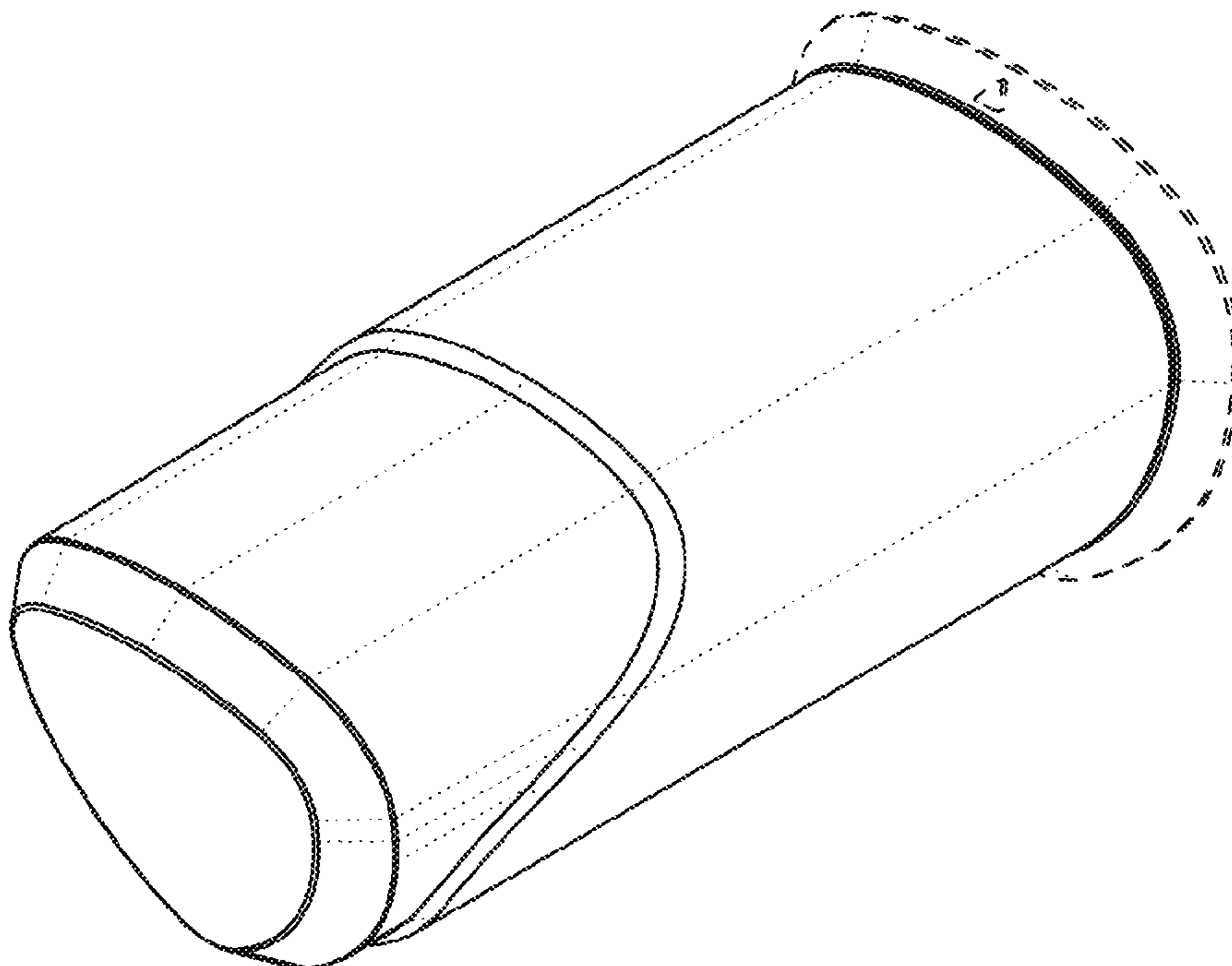
(57) **CLAIM**

The ornamental design of a directional sensor as shown and described.

DESCRIPTION

FIG. 1 includes a perspective side view of a directional sensor assembly used on buildings to detect environmental conditions;
FIG. 2 includes a side view of the directional sensor;
FIG. 3 includes another side view of the directional sensor;
FIG. 4 includes a top elevation view of the directional sensor of FIG. 1;
FIG. 5 includes a bottom elevation of the directional sensor of FIG. 1;
FIG. 6 includes a front view of the directional sensor; and,
FIG. 7 includes a rear view of the directional sensor;
The broken lines showing support portions are for illustrative purposes only and form no part of the claimed design.

1 Claim, 4 Drawing Sheets



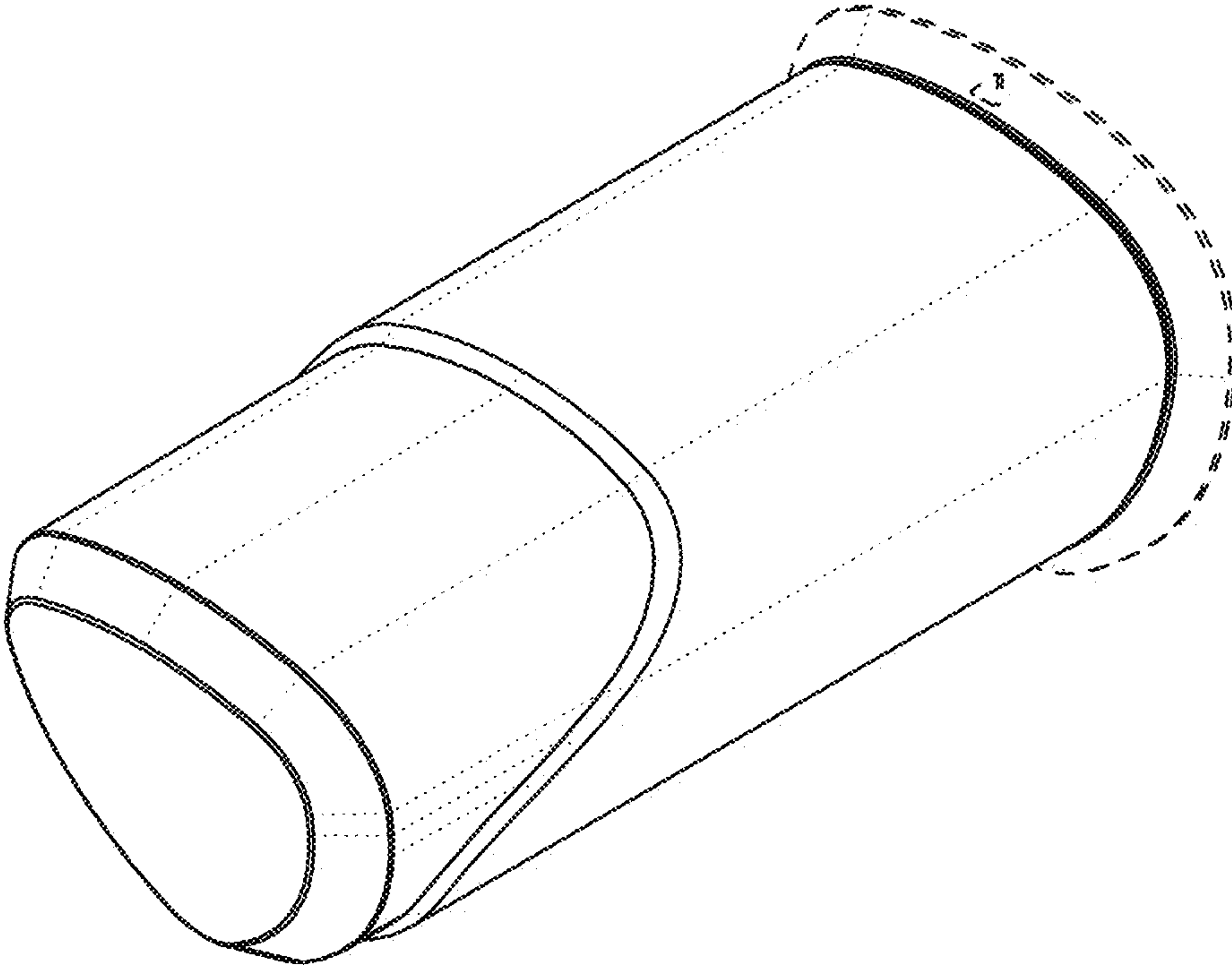


FIG. 1

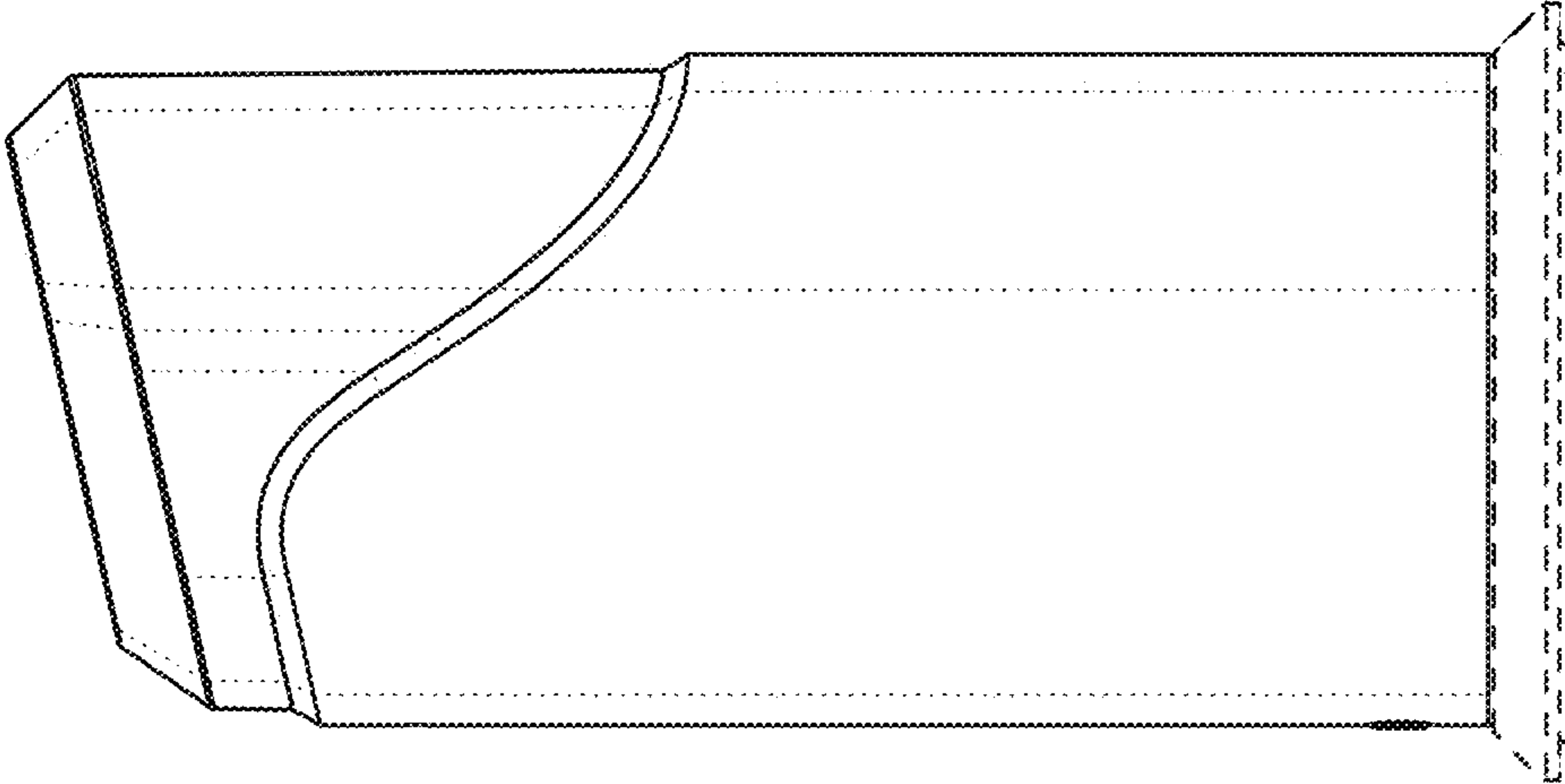


FIG. 2

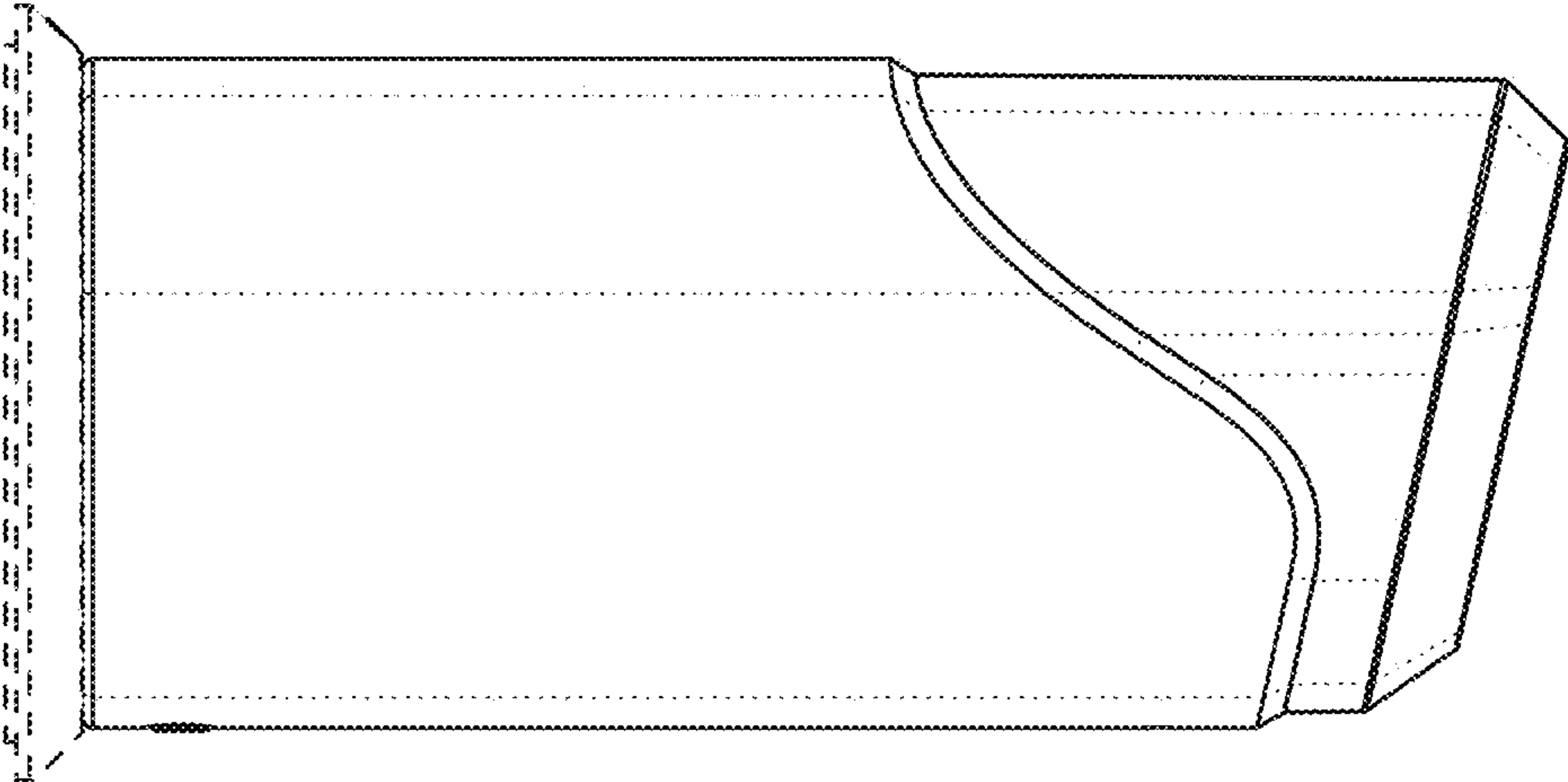


FIG. 3

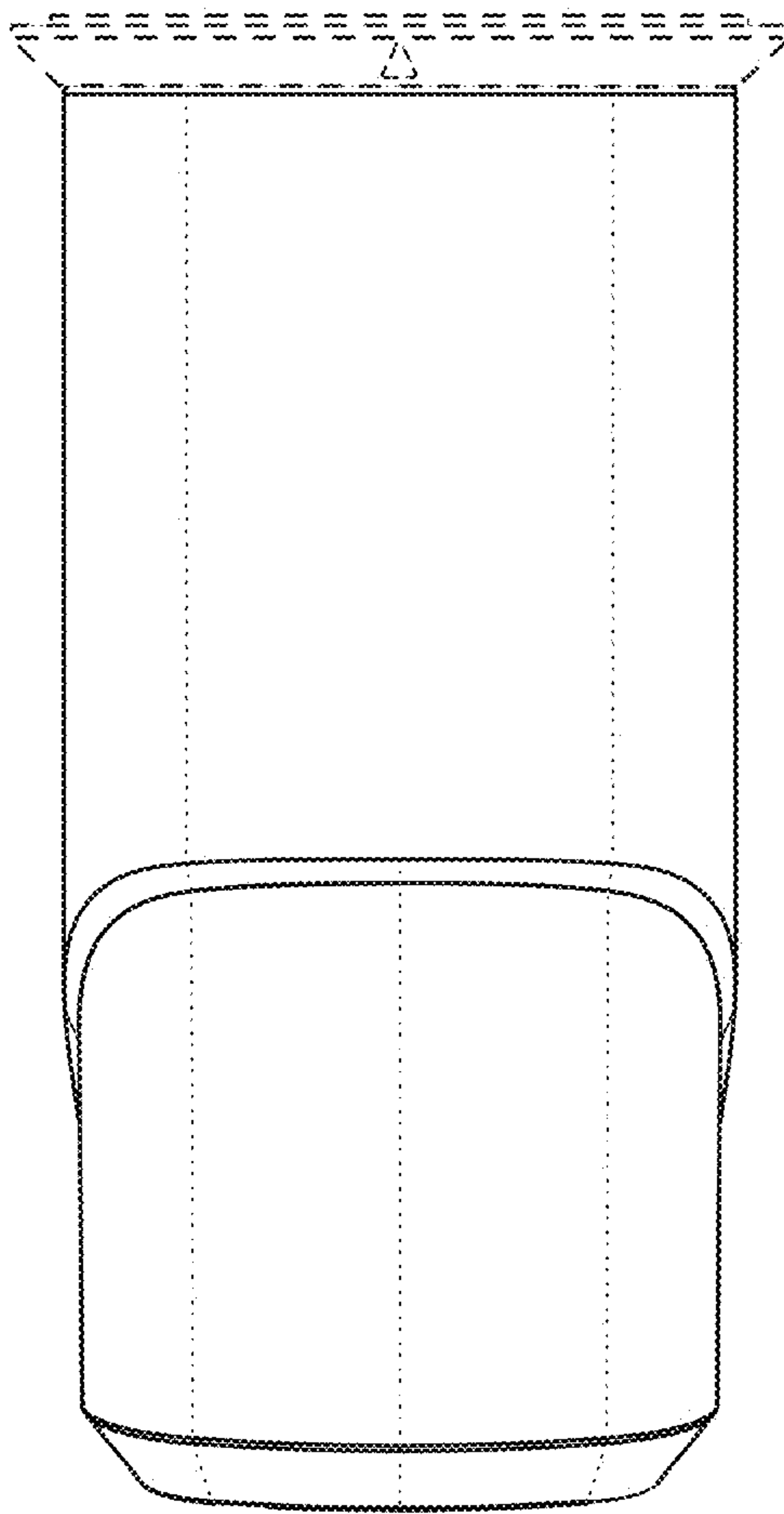


FIG. 4

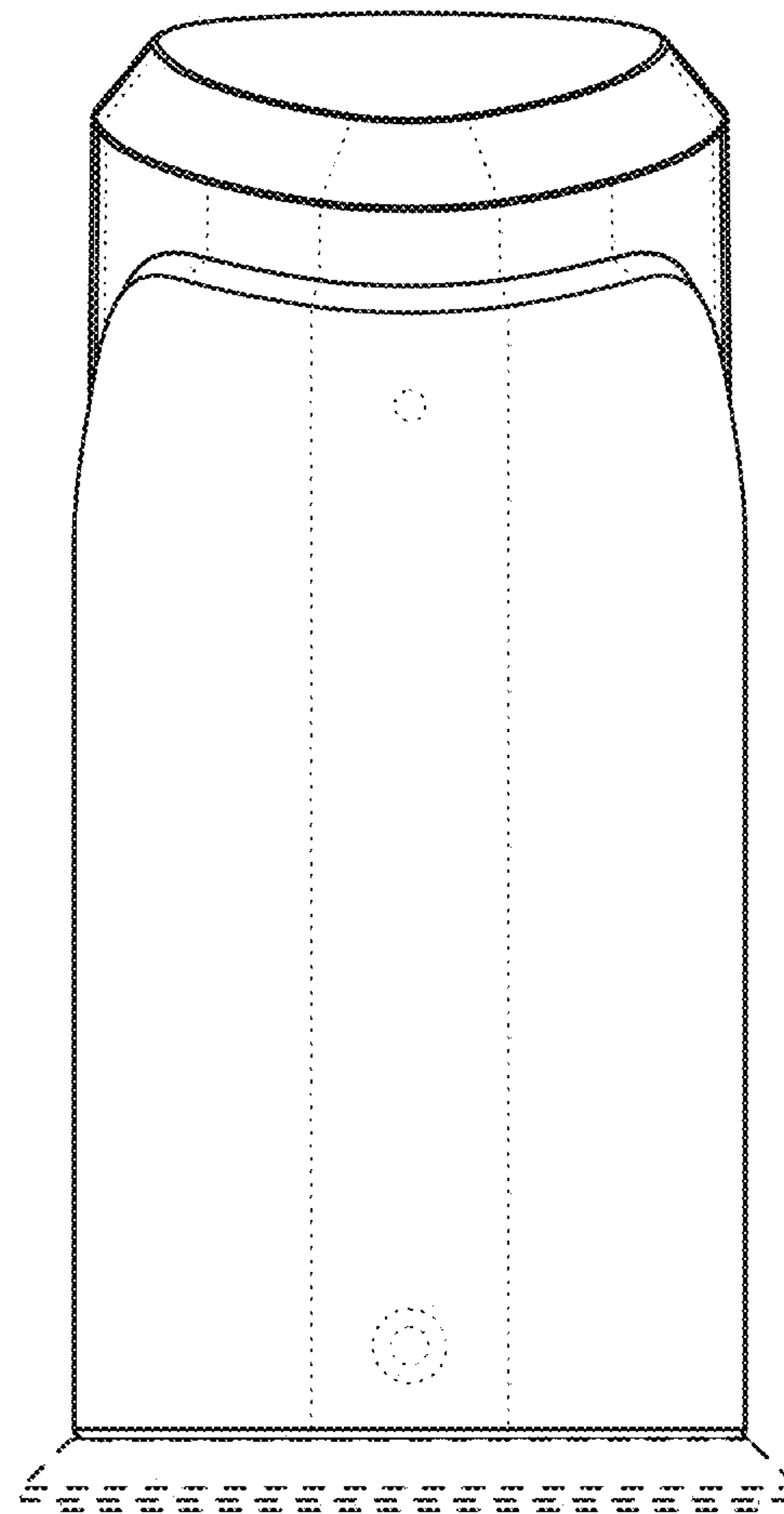


FIG. 5

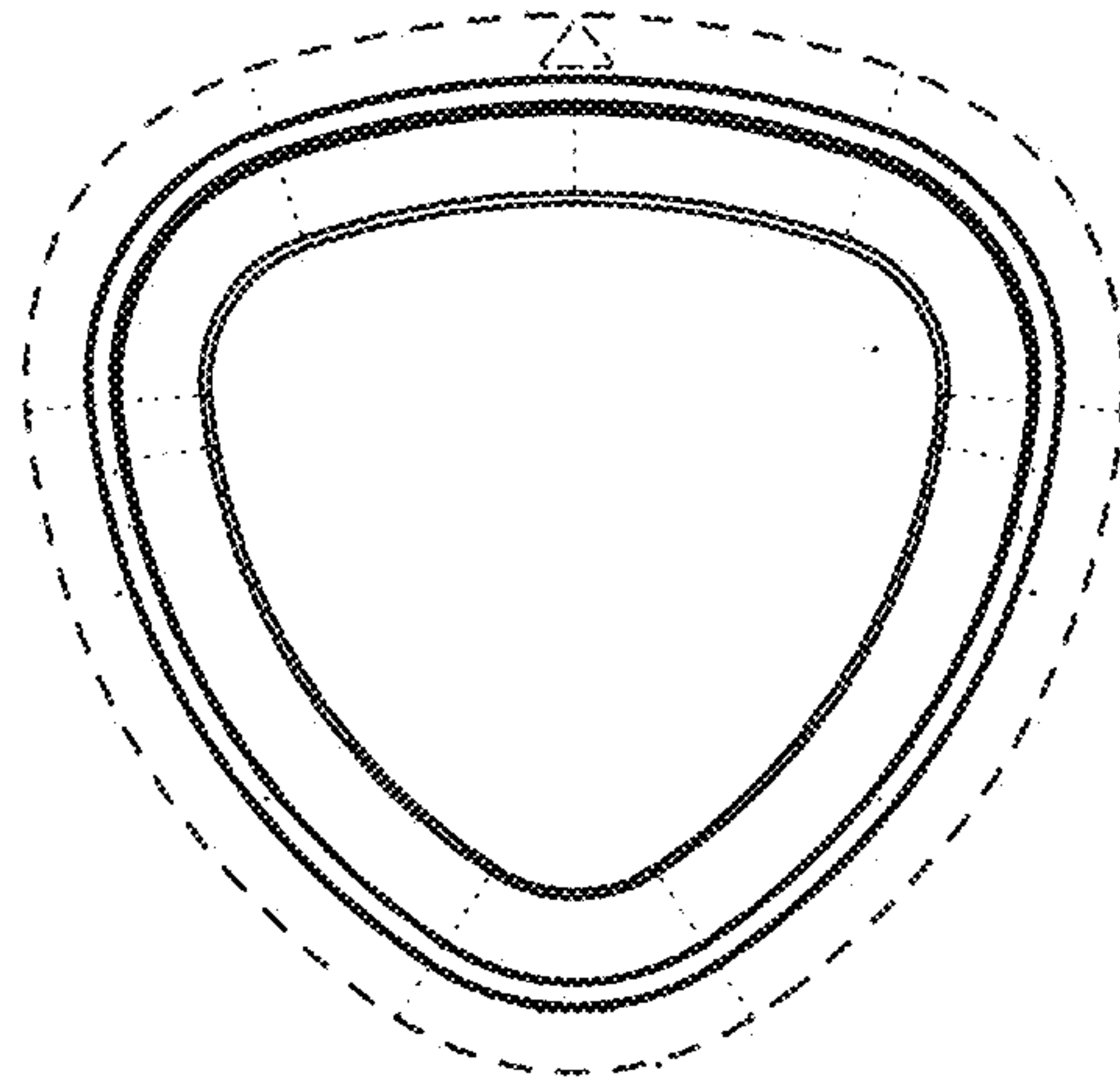


FIG. 6

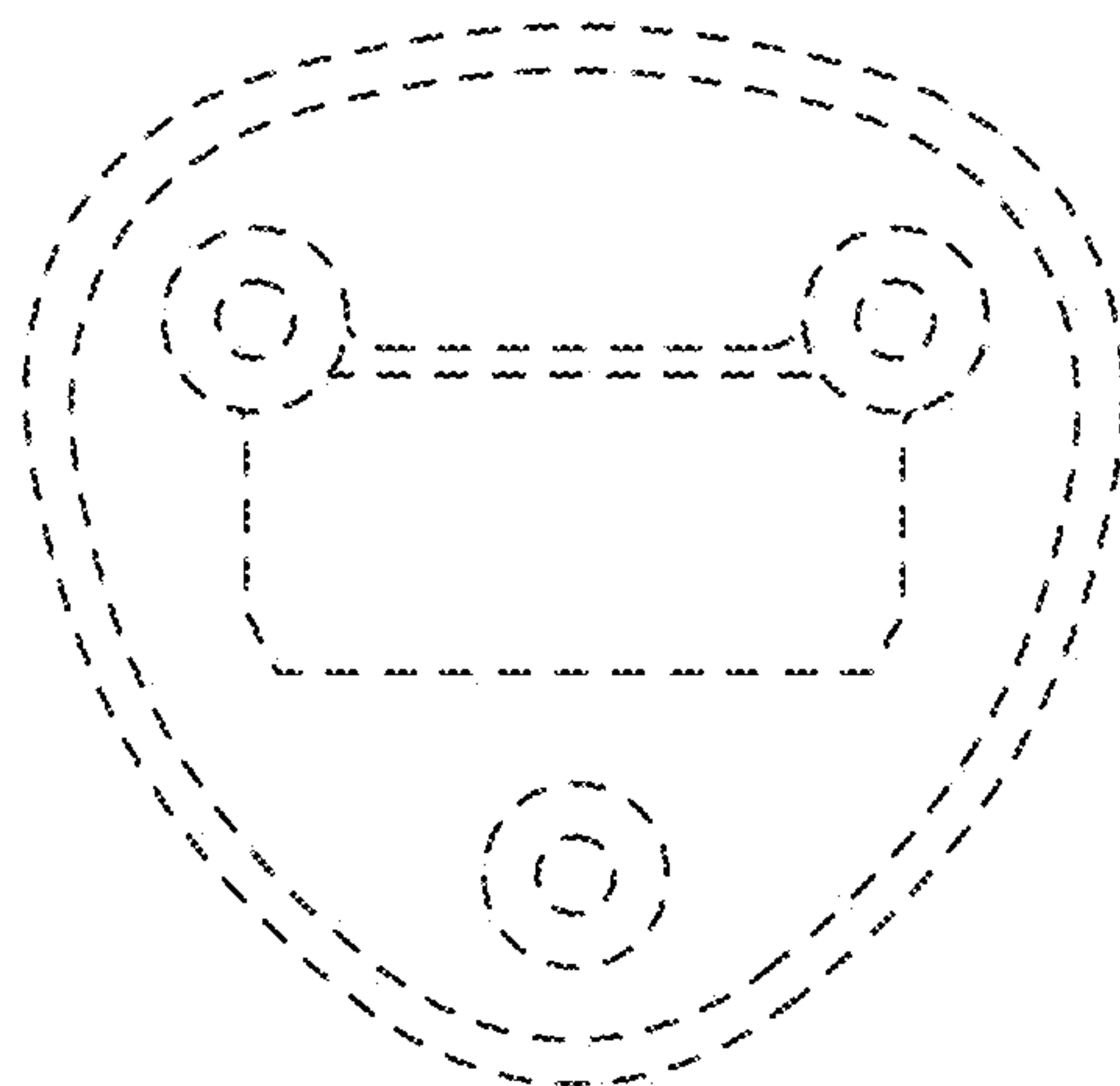


FIG. 7