



US00D950397S

(12) **United States Design Patent** (10) **Patent No.:** **US D950,397 S**
Zhu (45) **Date of Patent:** **** May 3, 2022**

(54) **TIMER**
(71) Applicant: **Bilang Zhu**, Hubei (CN)
(72) Inventor: **Bilang Zhu**, Hubei (CN)
(**) Term: **15 Years**
(21) Appl. No.: **29/707,271**
(22) Filed: **Sep. 27, 2019**
(51) **LOC (13) Cl.** **10-03**
(52) **U.S. Cl.**
USPC **D10/40**
(58) **Field of Classification Search**
USPC D10/1-2, 5-7, 10, 14-15, 28-29, 40-41,
D10/52, 54, 57; D14/170-171, 224.1;
D19/59, 60, 64; D21/324, 328, 329, 331,
D21/332, 531
CPC G04C 19/00; G04C 19/02; G04C 21/04;
G04C 21/06; G04C 23/02; G04C 23/08;
G04C 17/00; G04C 17/0058; G04G
17/005; G04G 17/08; G04G 17/086;
G04F 1/00; G04F 1/005; G04F 3/00;
G04F 3/02; G04F 3/06; G09B 19/12;
G07C 1/22; G07C 1/28; G09F 3/005;
G04B 19/00; G04B 19/04
See application file for complete search history.

(56) **References Cited**
U.S. PATENT DOCUMENTS
D89,168 S * 2/1933 Carlson D10/26
D168,647 S * 1/1953 Fox D14/170
D190,244 S * 5/1961 Gilbert D14/170
D208,930 S * 10/1967 Johnson D10/40
D222,594 S * 11/1971 Trautmann D10/97
4,176,739 A * 12/1979 Corcoran, Jr. G07F 17/00
194/230
D321,141 S * 10/1991 Aikawa D10/26

D513,024 S * 12/2005 Christianson G04D 7/009
D15/199
D648,743 S * 11/2011 Chang D14/496
D770,310 S * 11/2016 Rogers D10/40
D785,471 S * 5/2017 Rogers D10/40
D796,349 S * 9/2017 Rogers D10/40
D842,129 S * 3/2019 Yang D10/15
D933,501 S * 10/2021 Chi D10/40
D933,503 S * 10/2021 Chi D10/40
2011/0110198 A1 * 5/2011 Bulsink G04G 17/086
368/96
2019/0146421 A1 * 5/2019 Rogers G09B 19/12
368/108

FOREIGN PATENT DOCUMENTS

EM 006893681-0001 * 9/2019

* cited by examiner

Primary Examiner — Katherine Glennon

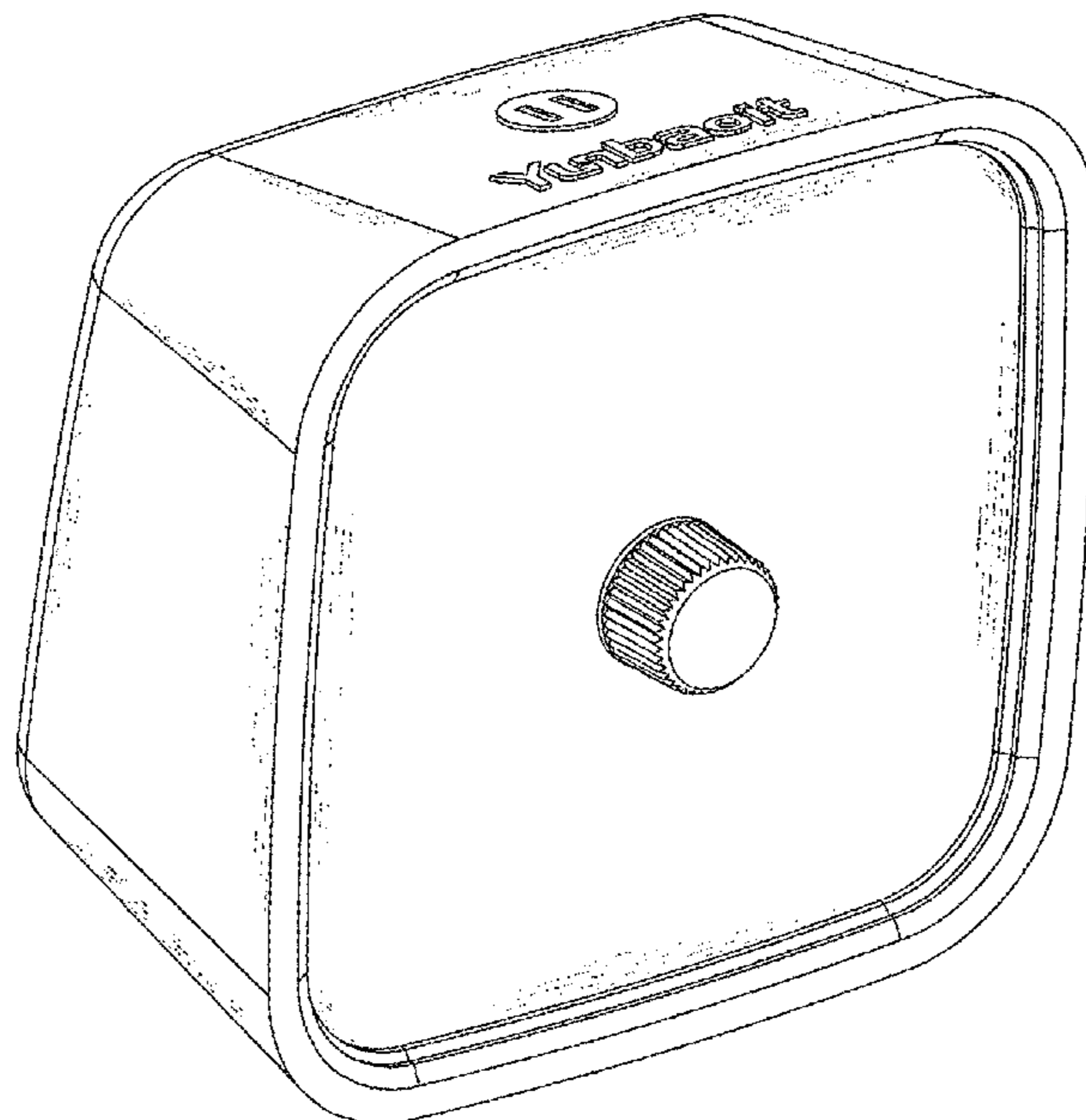
(57) **CLAIM**

The ornamental design for a timer, as shown and described.

DESCRIPTION

FIG. 1 is a perspective view of a timer showing my new design;
FIG. 2 is a front elevational view thereof;
FIG. 3 is a rear elevational view thereof;
FIG. 4 is a left side elevational view thereof;
FIG. 5 is a right side elevational view thereof;
FIG. 6 is a top plan view thereof;
FIG. 7 is a bottom plan view thereof; and,
FIG. 8 is another perspective view thereof.
The word/image “Yunbaoit” forming part of the claimed design, is a registered trademark of Hangzhou Yunbao Information Technology Co., Ltd.
The broken lines in the drawings depict portions of the timer that form no part of the claimed design.

1 Claim, 8 Drawing Sheets



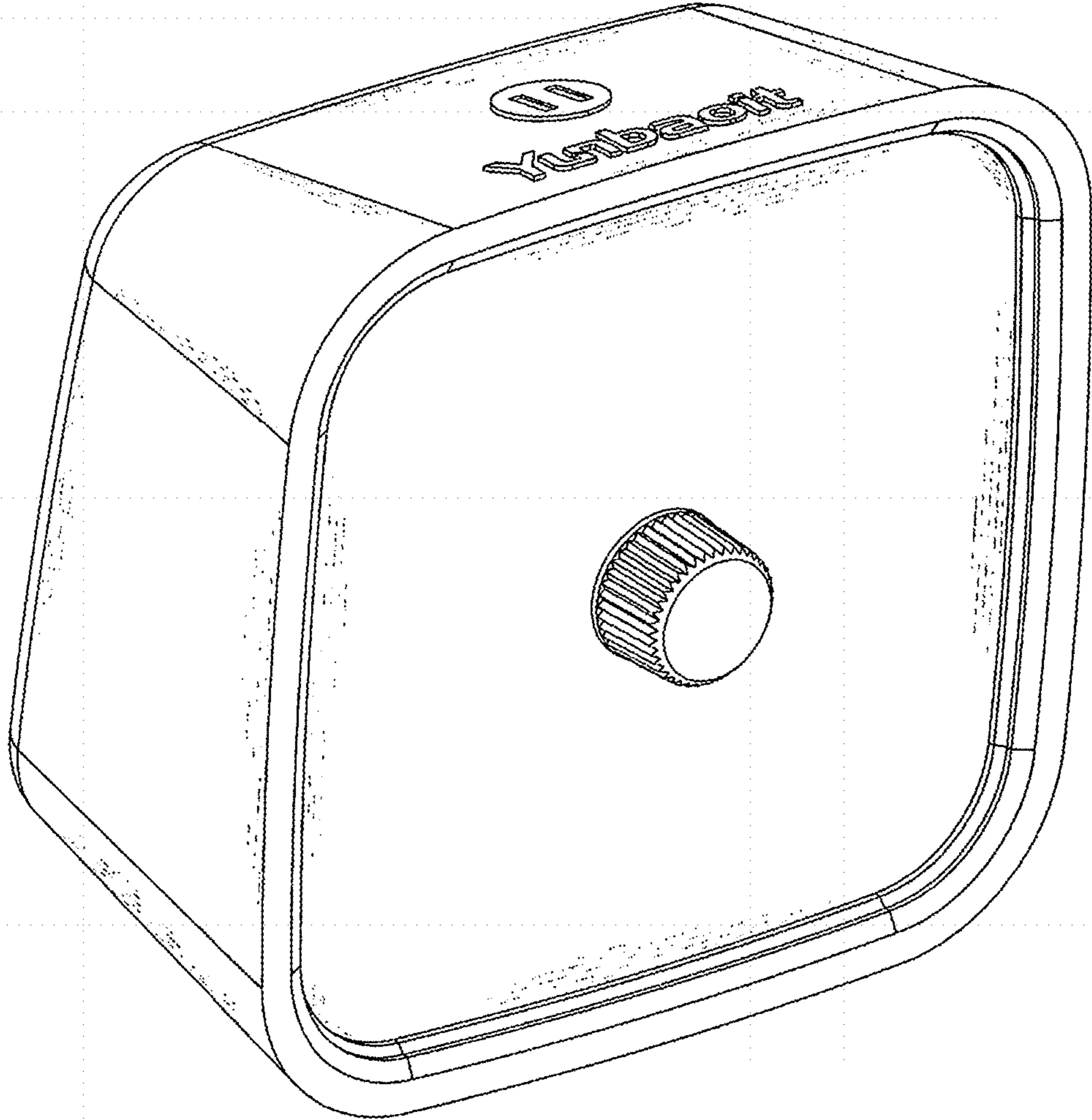


FIG. 1

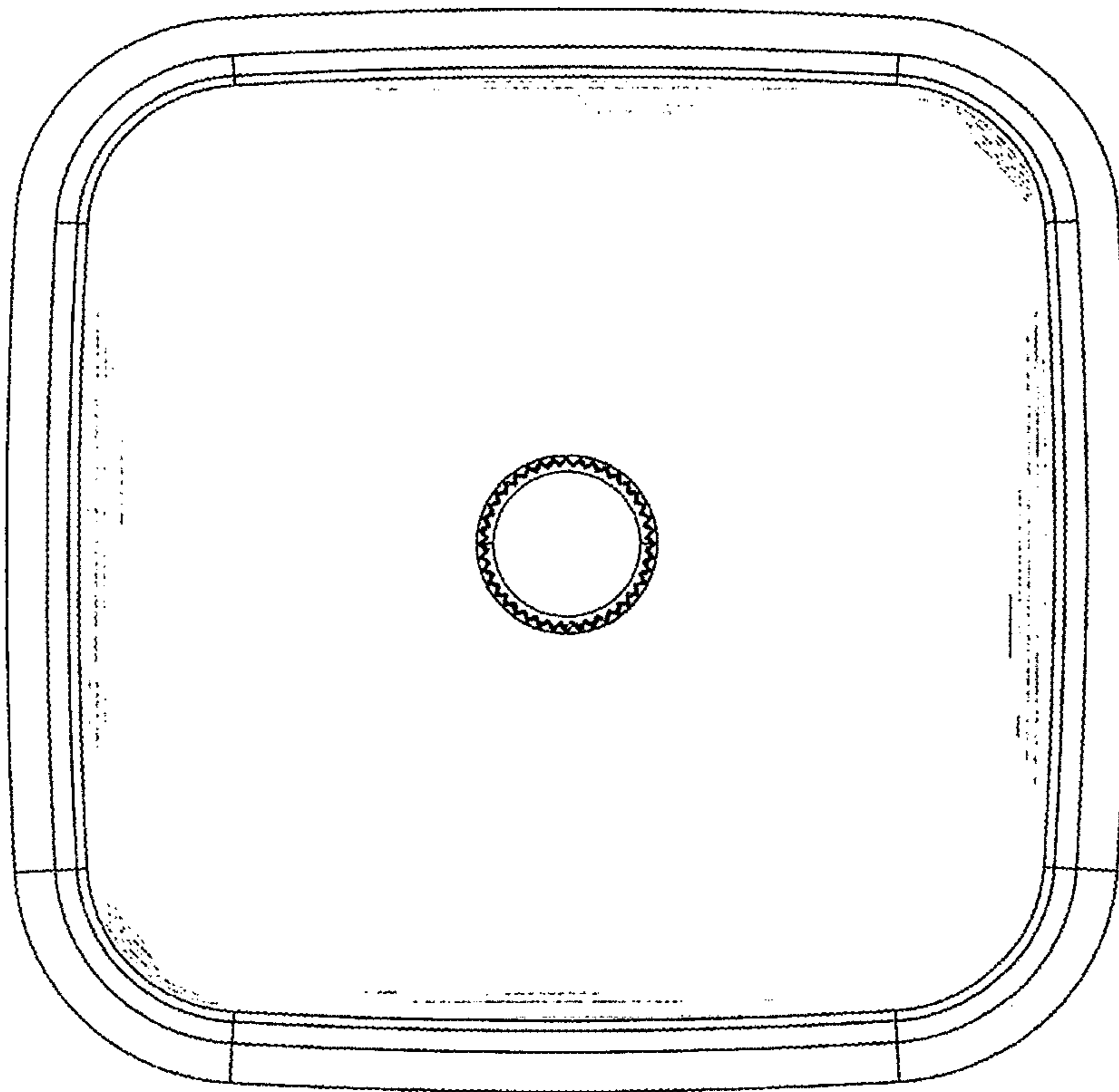


FIG. 2

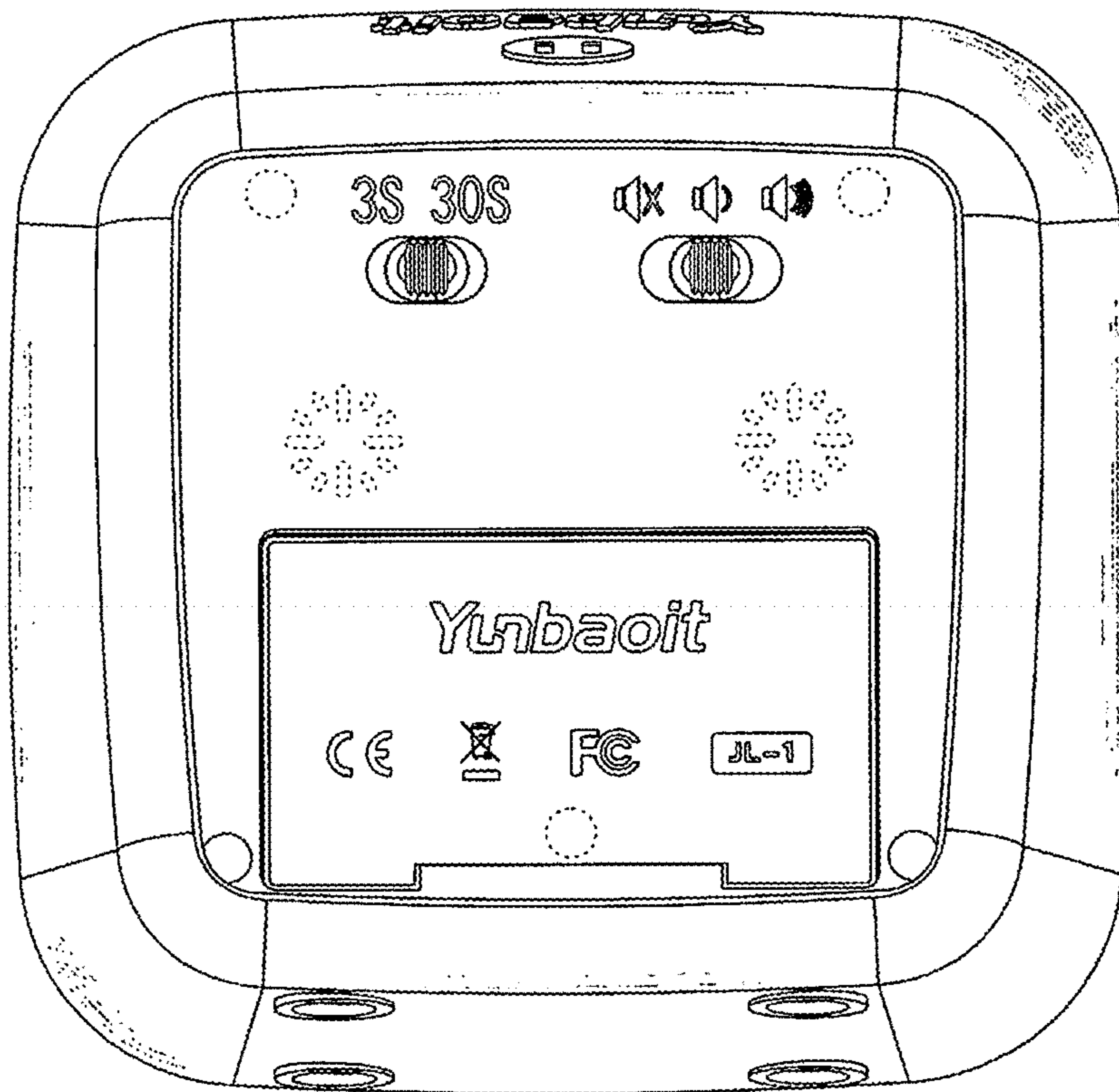


FIG. 3

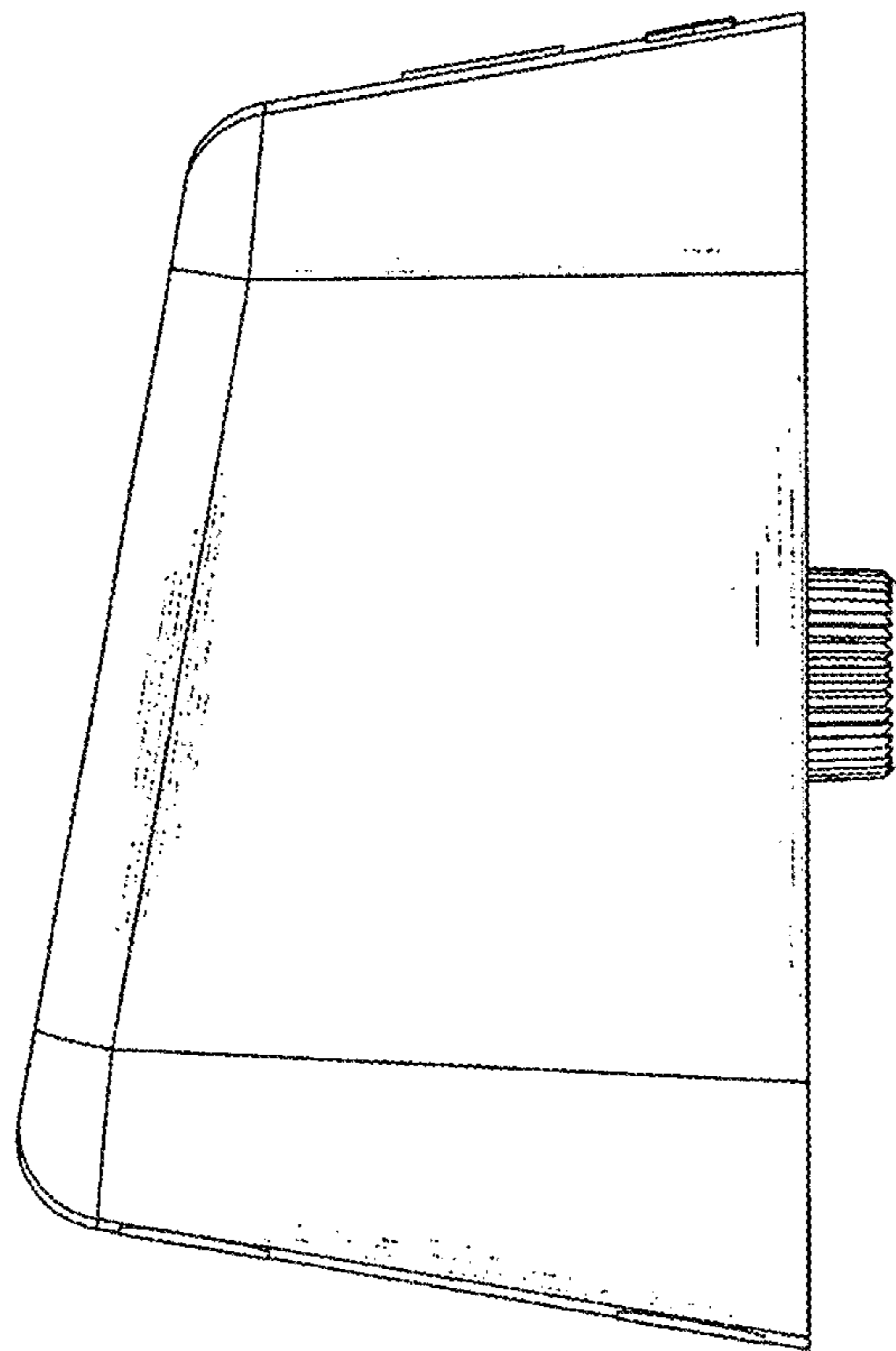


FIG. 4

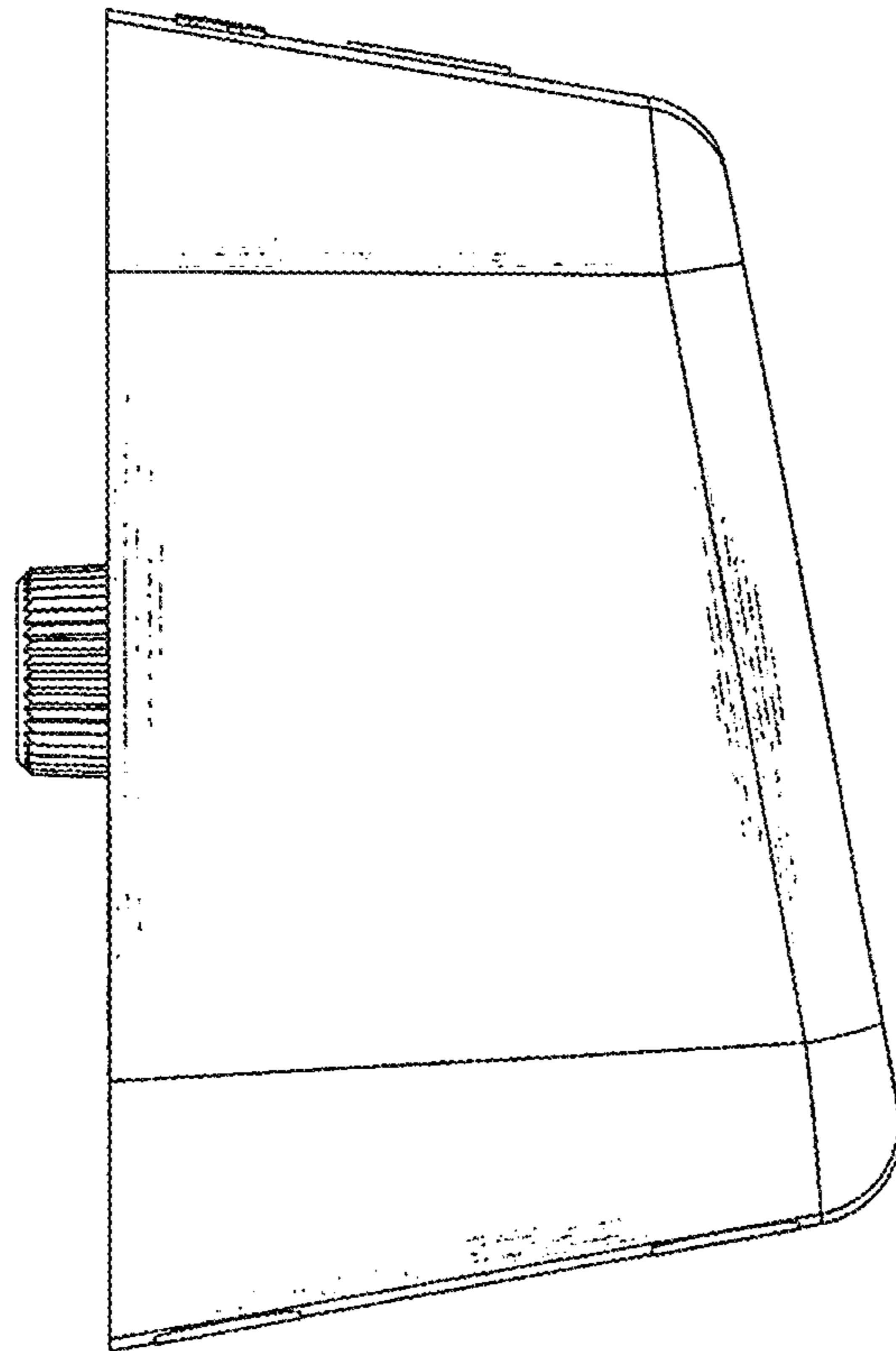


FIG. 5

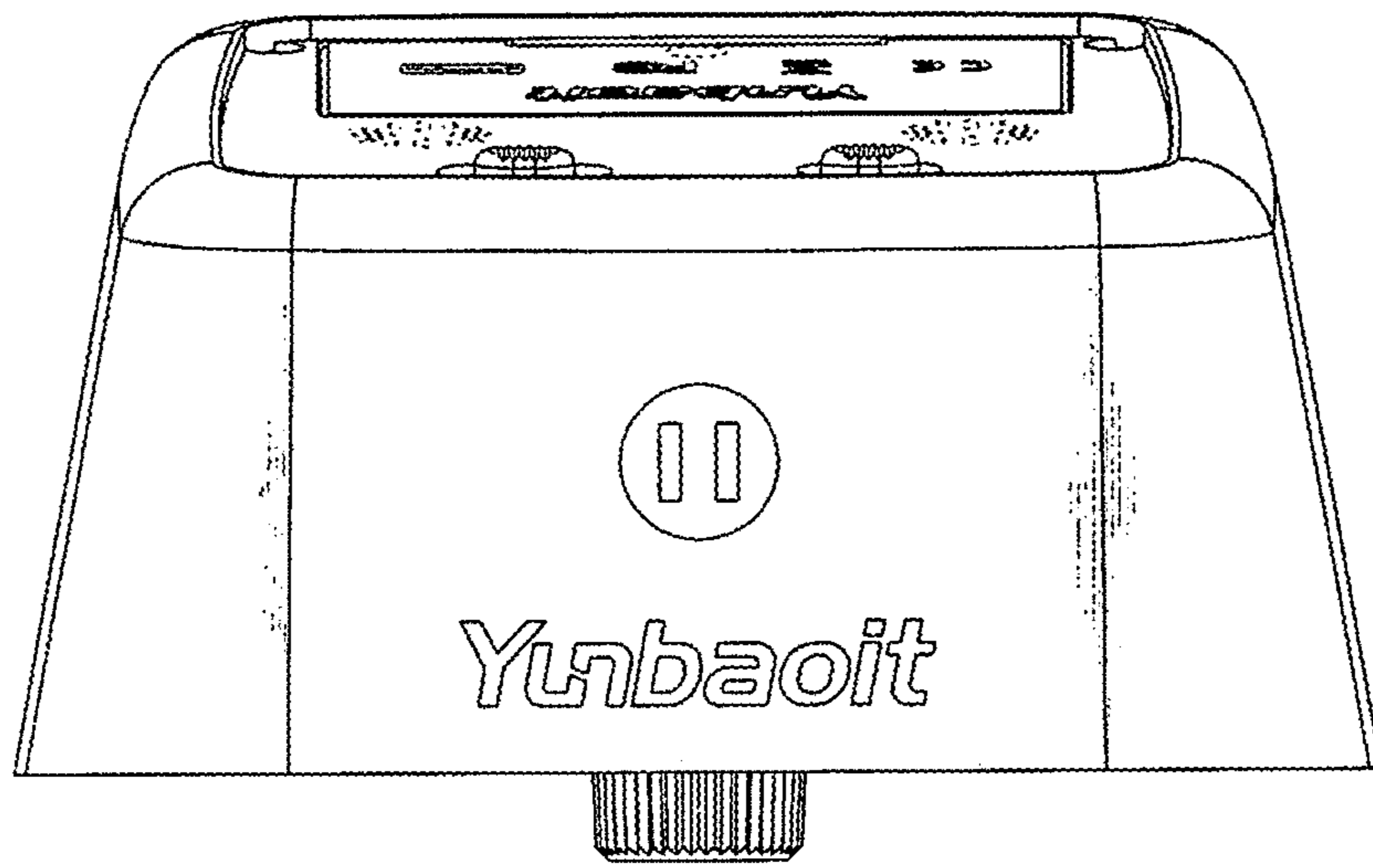


FIG. 6

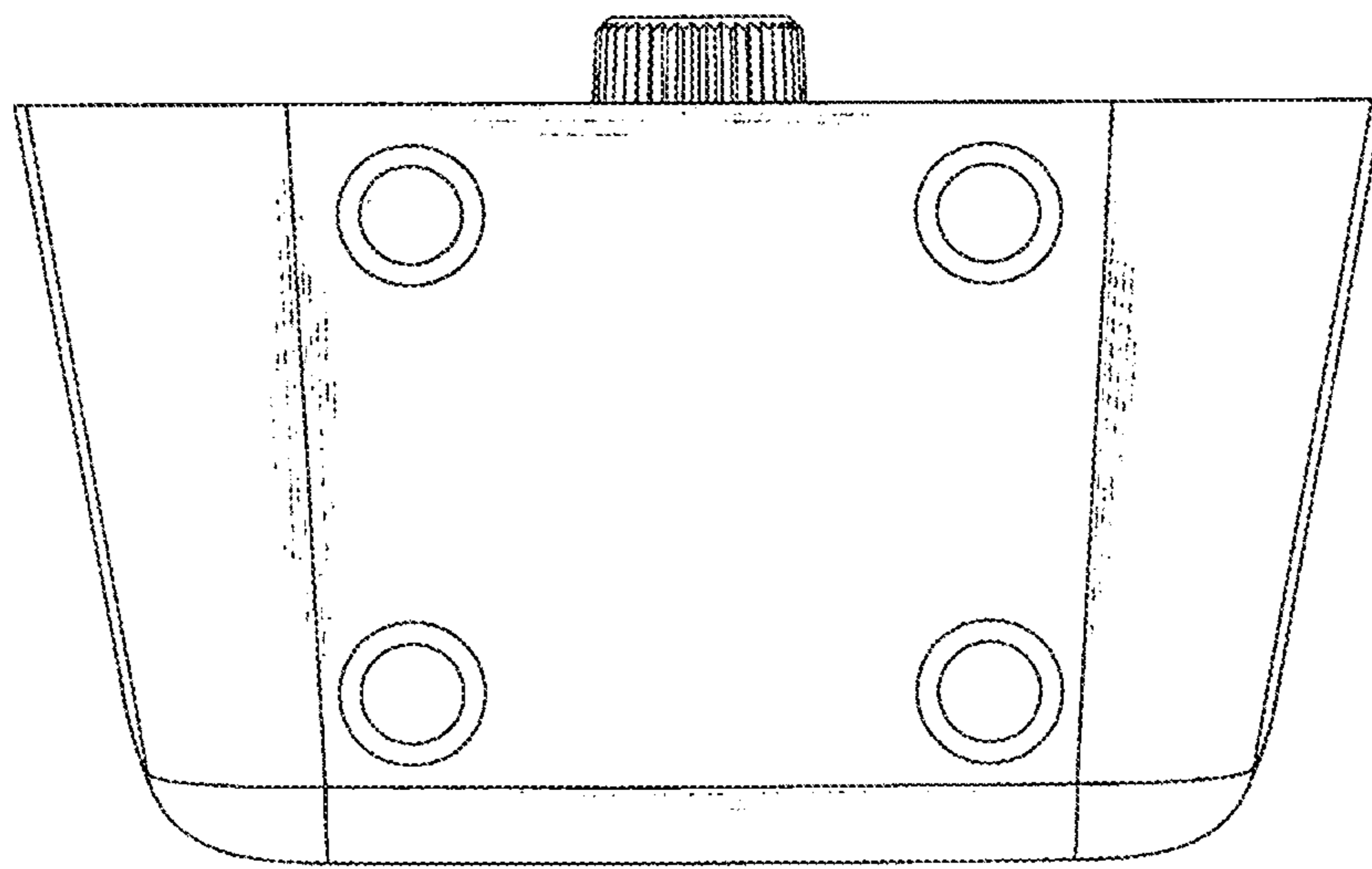


FIG. 7

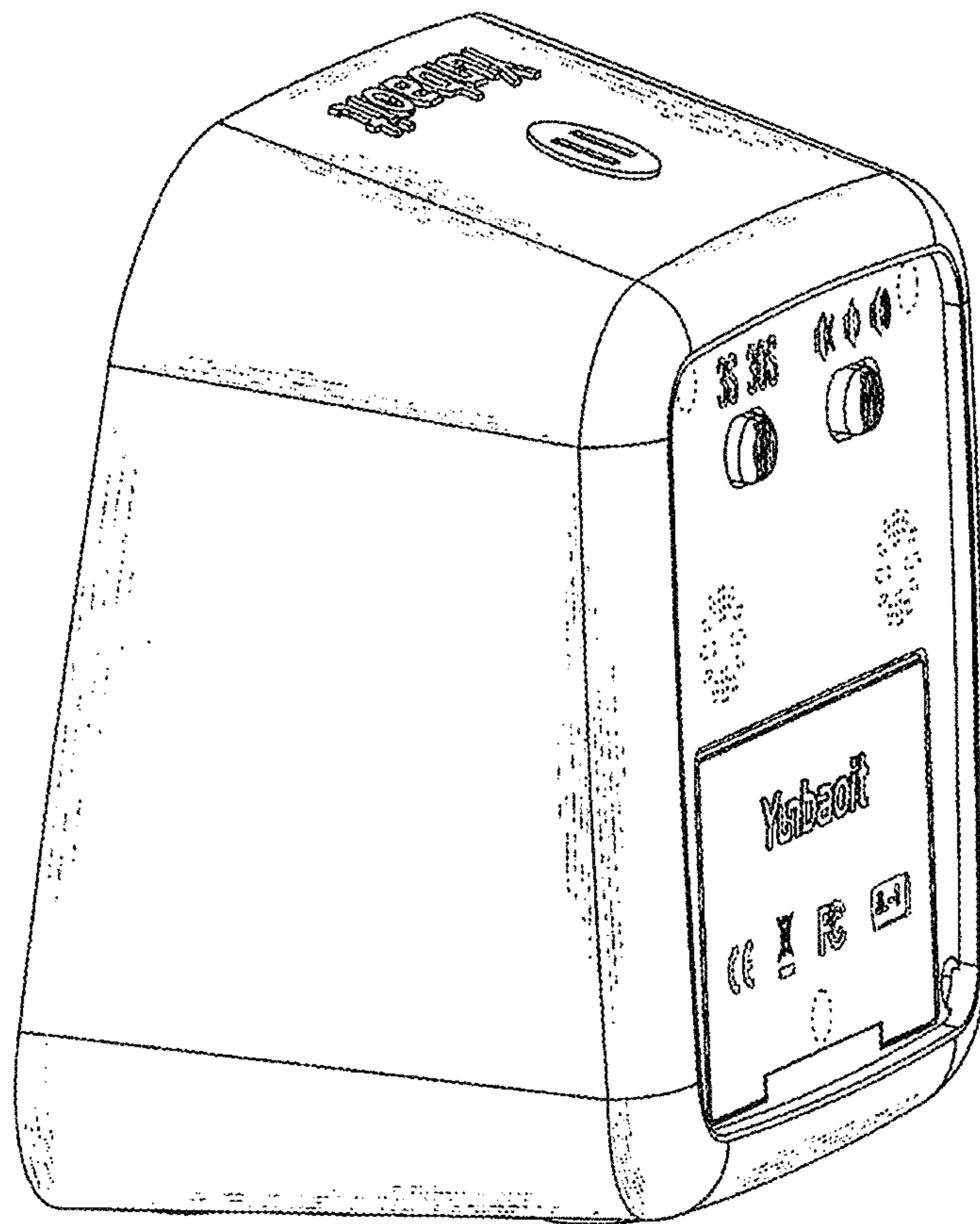


FIG. 8