



US00D950387S

(12) **United States Design Patent**
Hossain et al.

(10) **Patent No.:** **US D950,387 S**
(45) **Date of Patent:** **** May 3, 2022**

- (54) **BOTTLE**
- (71) Applicant: **Niagara Bottling, LLC**, Diamond Bar, CA (US)
- (72) Inventors: **Naser Imran Hossain**, Diamond Bar, CA (US); **Peter Bruinooge**, Diamond Bar, CA (US); **Henry Castillo**, Diamond Bar, CA (US); **Katherine Lai**, Diamond Bar, CA (US)
- (73) Assignee: **Niagara Bottling, LLC**, Diamond Bar, CA (US)
- (**) Term: **15 Years**
- (21) Appl. No.: **29/741,107**
- (22) Filed: **Jul. 9, 2020**
- (51) **LOC (13) Cl.** **09-01**
- (52) **U.S. Cl.**
USPC **D9/552; D9/556**
- (58) **Field of Classification Search**
USPC D9/502, 516, 530, 537-543, 549-550, D9/552, 554, 557-558, 565, 571, 575, D9/715, 719
CPC B65D 1/00; B65D 1/02; B65D 1/0223; B65D 23/00; B65D 23/102; B65D 2501/00; B65D 2501/0009; B65D 2501/0018; B65D 2501/0036
See application file for complete search history.

6,296,131	B2 *	10/2001	Rashid	B65D 1/0223	215/382
D453,003	S *	1/2002	Rashid	D9/502	
D477,230	S *	7/2003	Takaichi	D9/502	
D605,518	S *	12/2009	Desjardins	D9/502	
D611,345	S *	3/2010	Bangi	D9/502	
D611,816	S *	3/2010	Bangi	D9/502	
8,496,130	B2 *	7/2013	Lane	B65D 79/005	215/381
8,870,006	B2 *	10/2014	Kamineni	B65D 1/0223	215/382
D763,090	S *	8/2016	Zeng	D9/538	
D763,091	S *	8/2016	Zeng	D9/538	
10,005,584	B2 *	6/2018	Tanaka	B65D 1/0276	
10,322,837	B2 *	6/2019	Bysick	B65D 1/0223	
D917,293	S *	4/2021	Chen	D9/550	
D920,792	S *	6/2021	Rasgon	D9/503	
2013/0306660	A1 *	11/2013	Bysick	B65D 1/0223	220/669

* cited by examiner

Primary Examiner — Dana Meyrow
(74) *Attorney, Agent, or Firm* — Michael Best & Friedrich LLP

(57) **CLAIM**

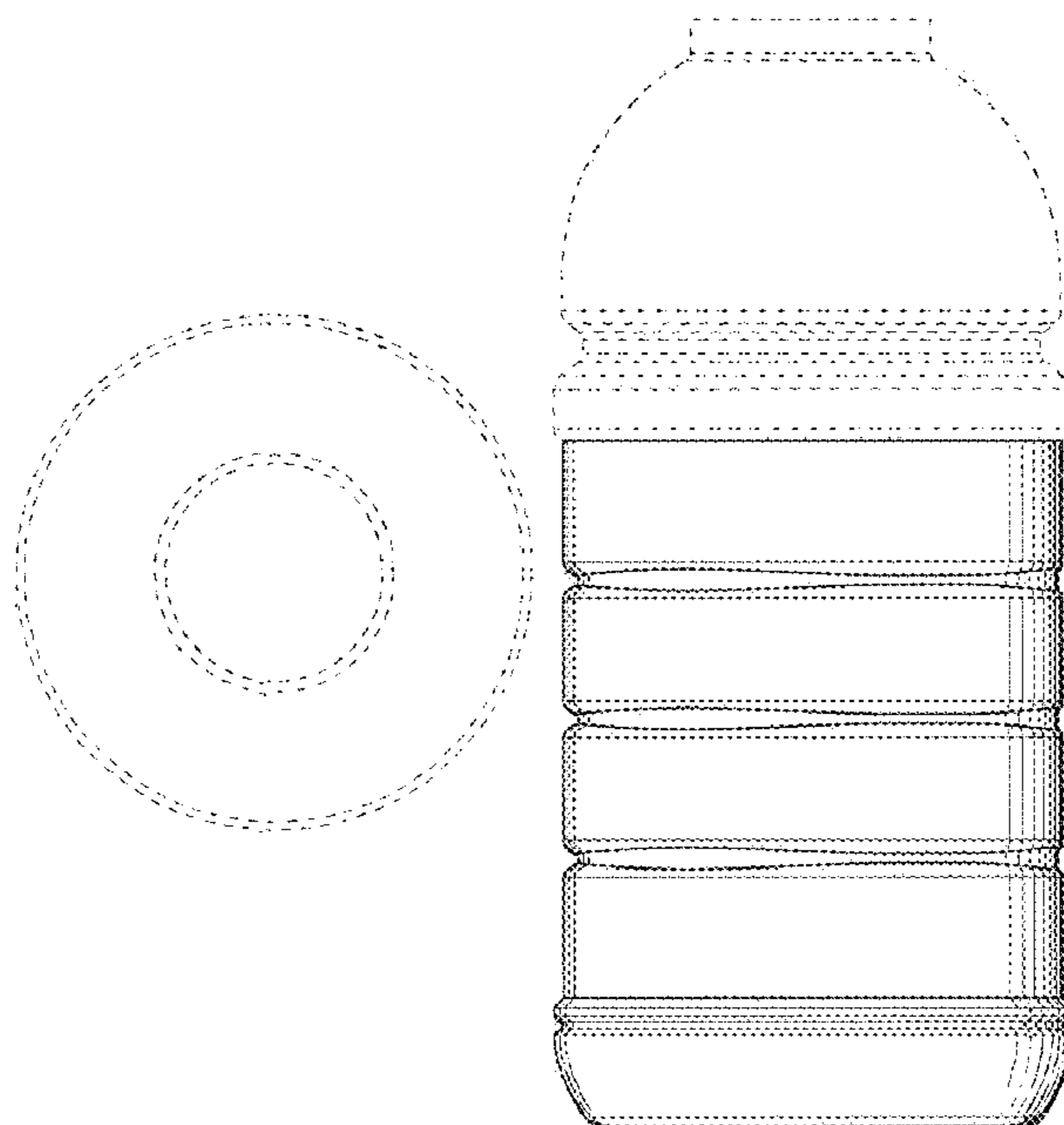
The ornamental design for an bottle, as shown and described.

DESCRIPTION

FIG. 1—Top front perspective view;
FIG. 2—Top plan view;
FIG. 3—Bottom plan view;
FIG. 4—Front elevation view;
FIG. 5—Left side elevation view;
FIG. 6—Rear elevation view; and,
FIG. 7—Right side elevation view.
The broken lines in the drawings illustrate the portions of the bottle that form no part of the claimed design.

1 Claim, 3 Drawing Sheets

- (56) **References Cited**
U.S. PATENT DOCUMENTS
D391,161 S * 2/1998 Lauth D9/503
D396,807 S * 8/1998 Lauth D9/503
6,230,912 B1 * 5/2001 Rashid B65D 1/0223
215/382



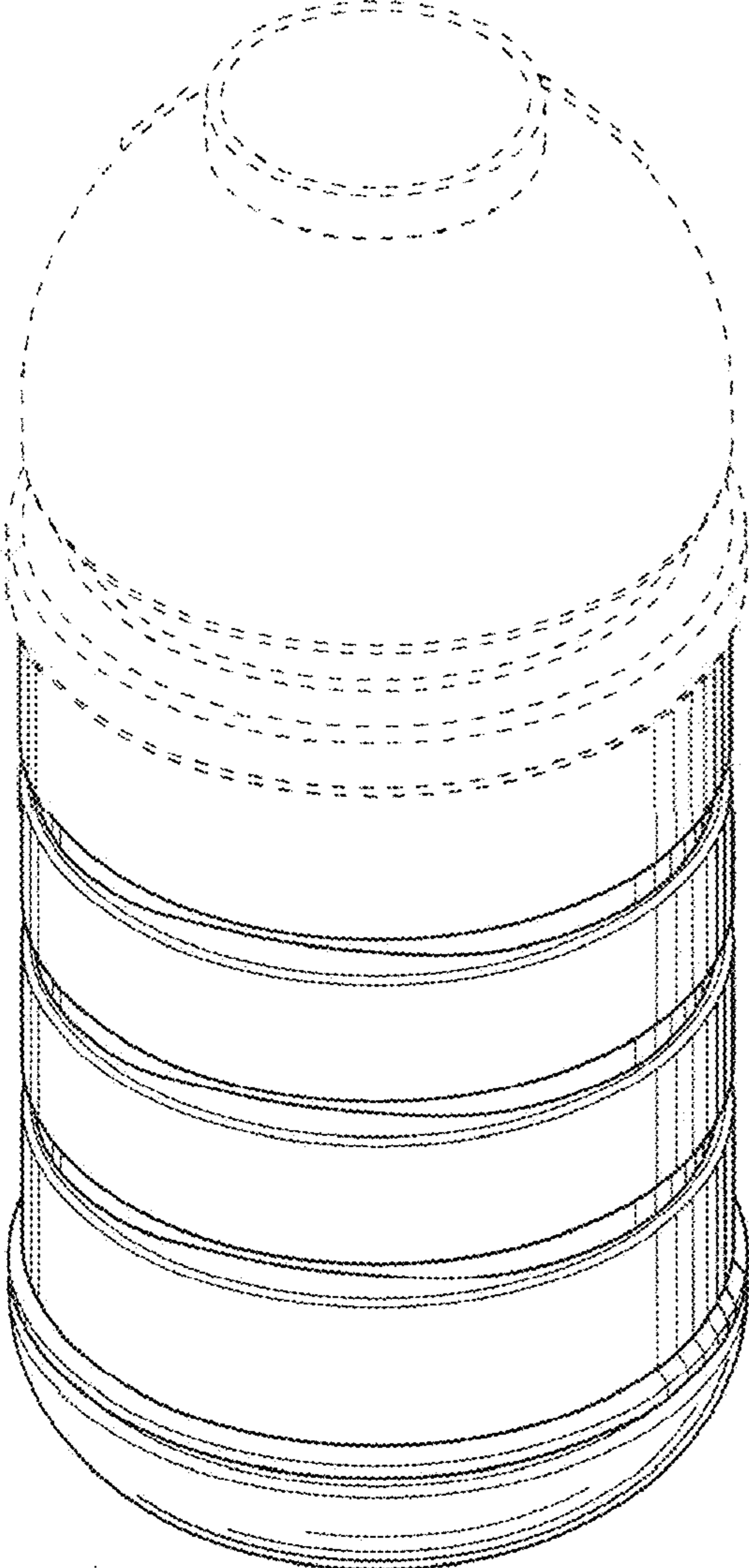


FIG. 1

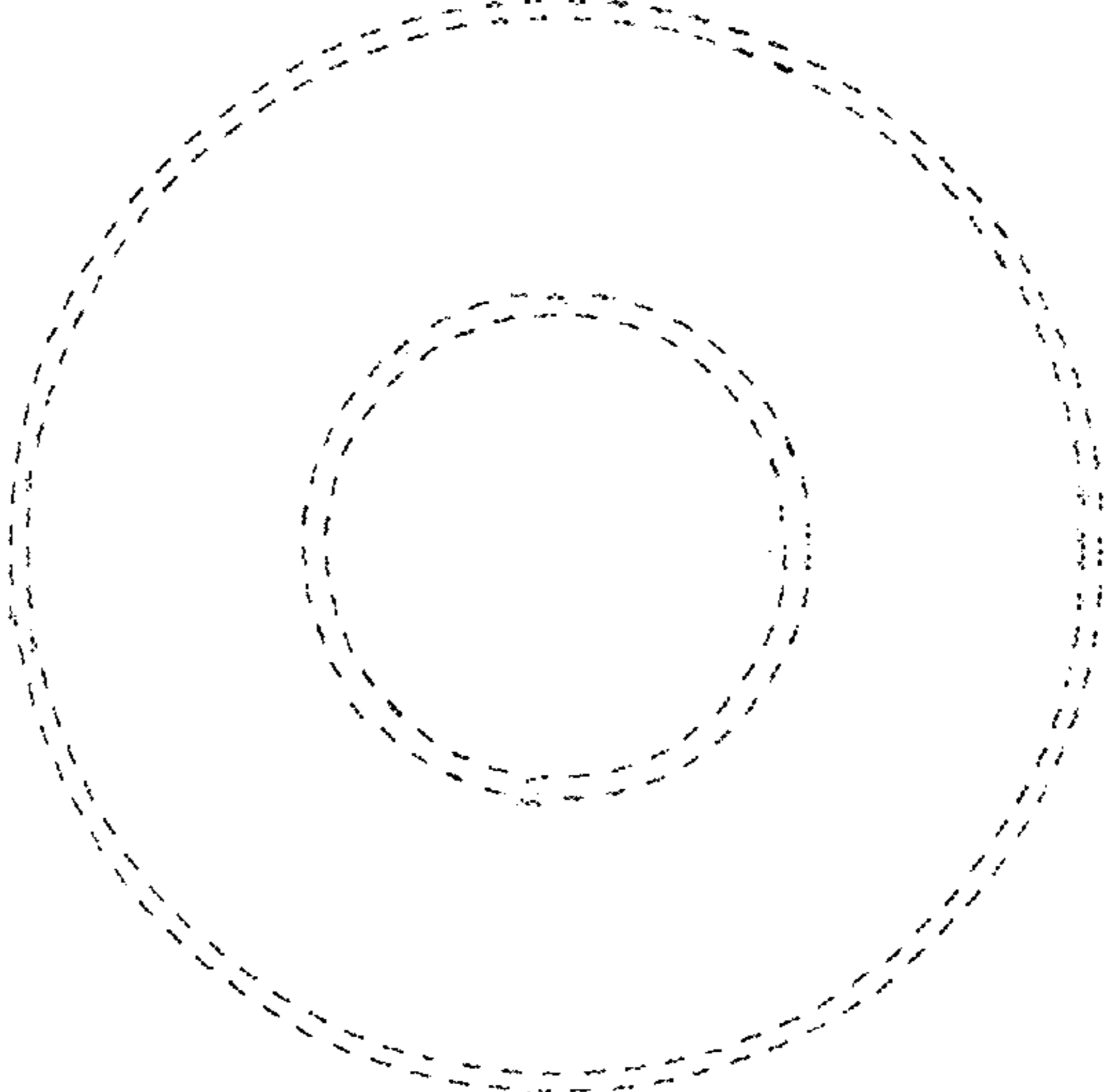


FIG. 2

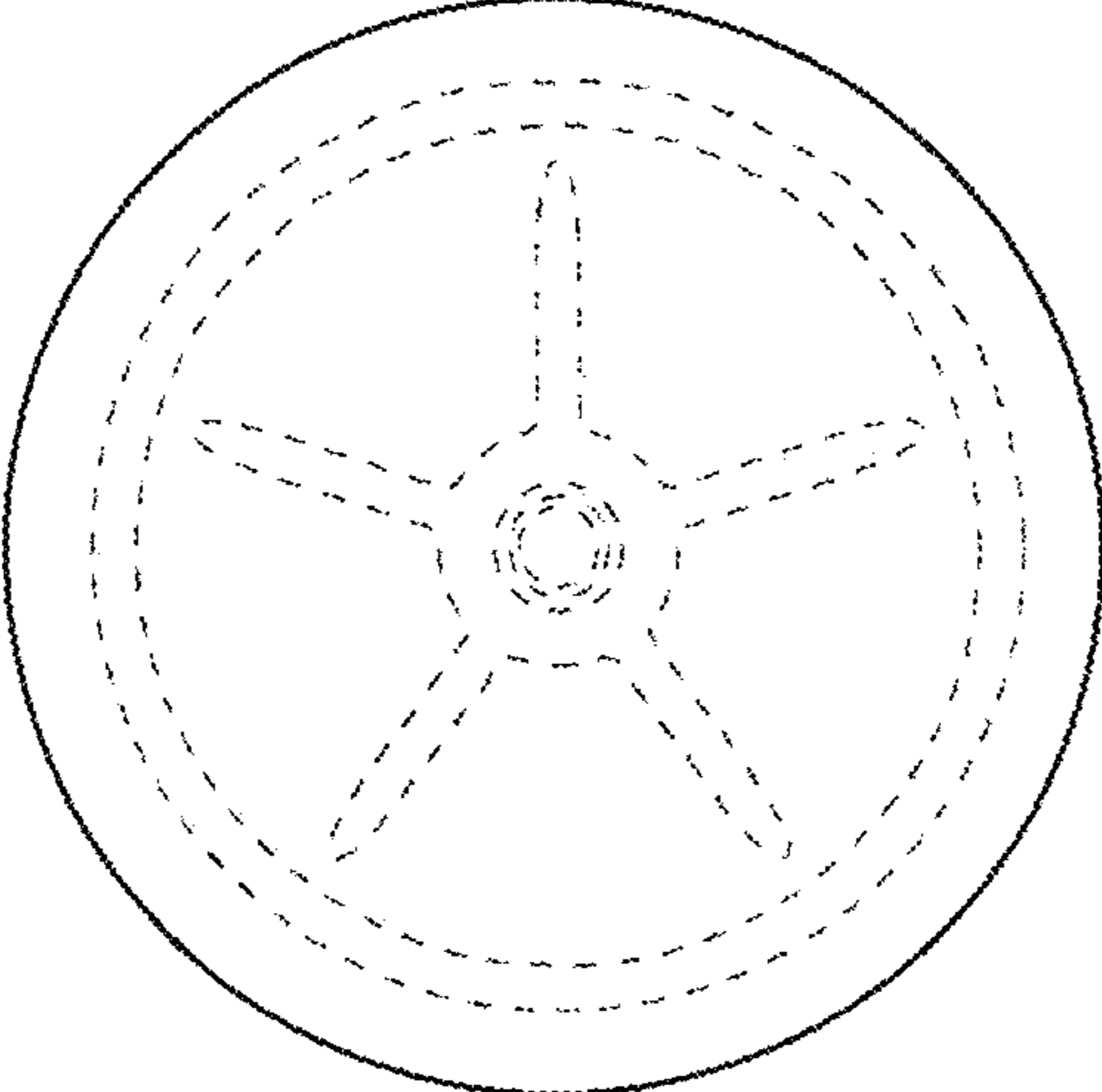


FIG. 3

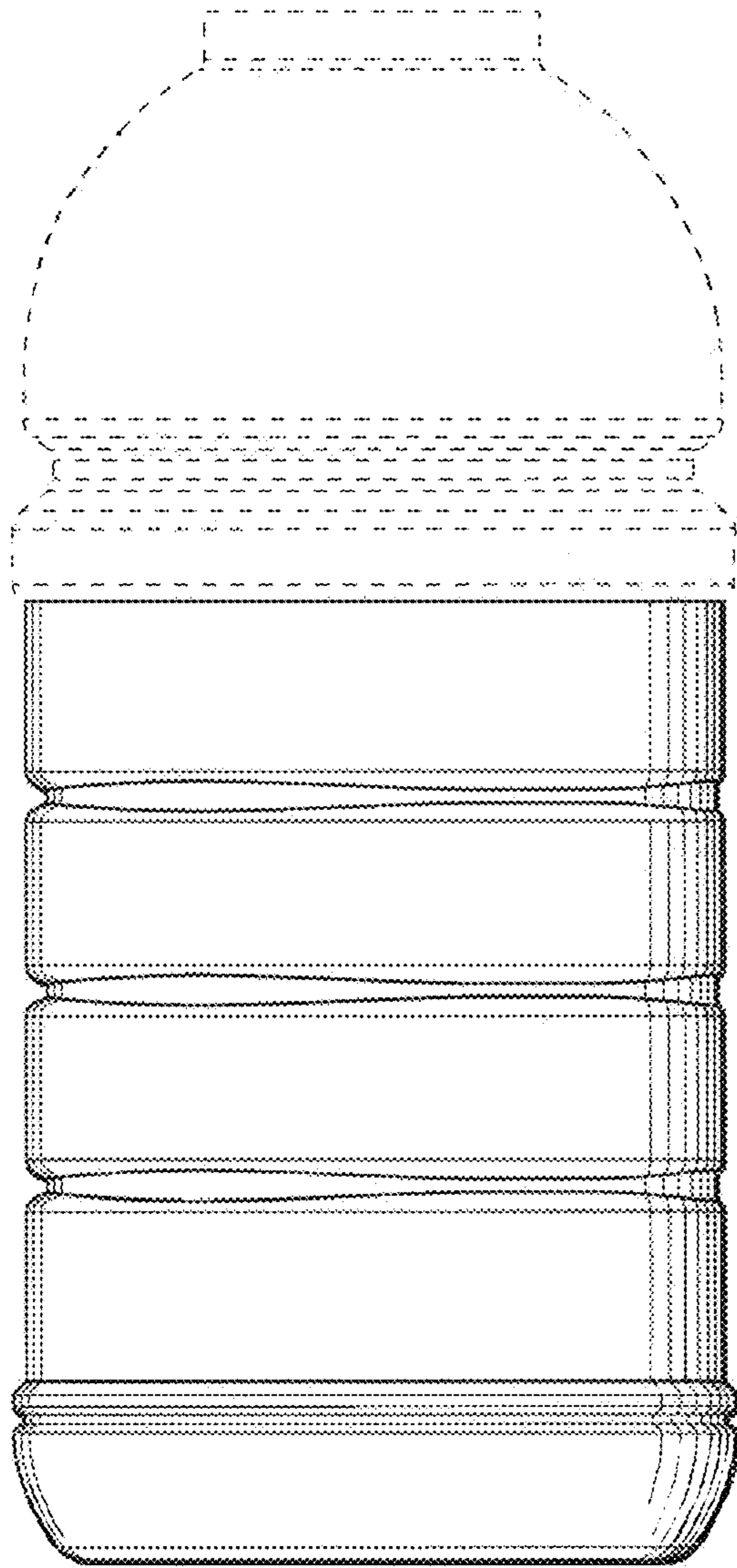


FIG. 4

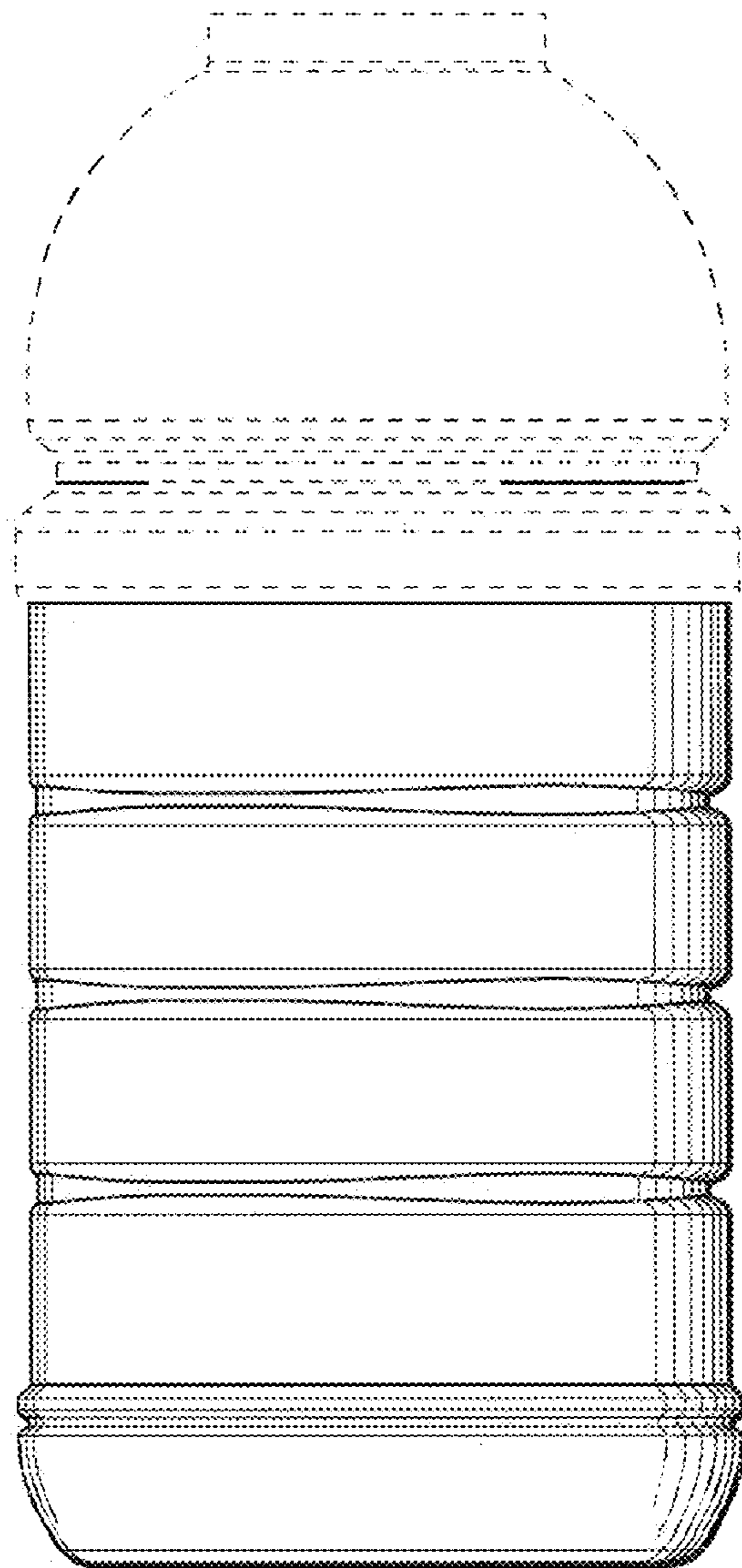


FIG. 5

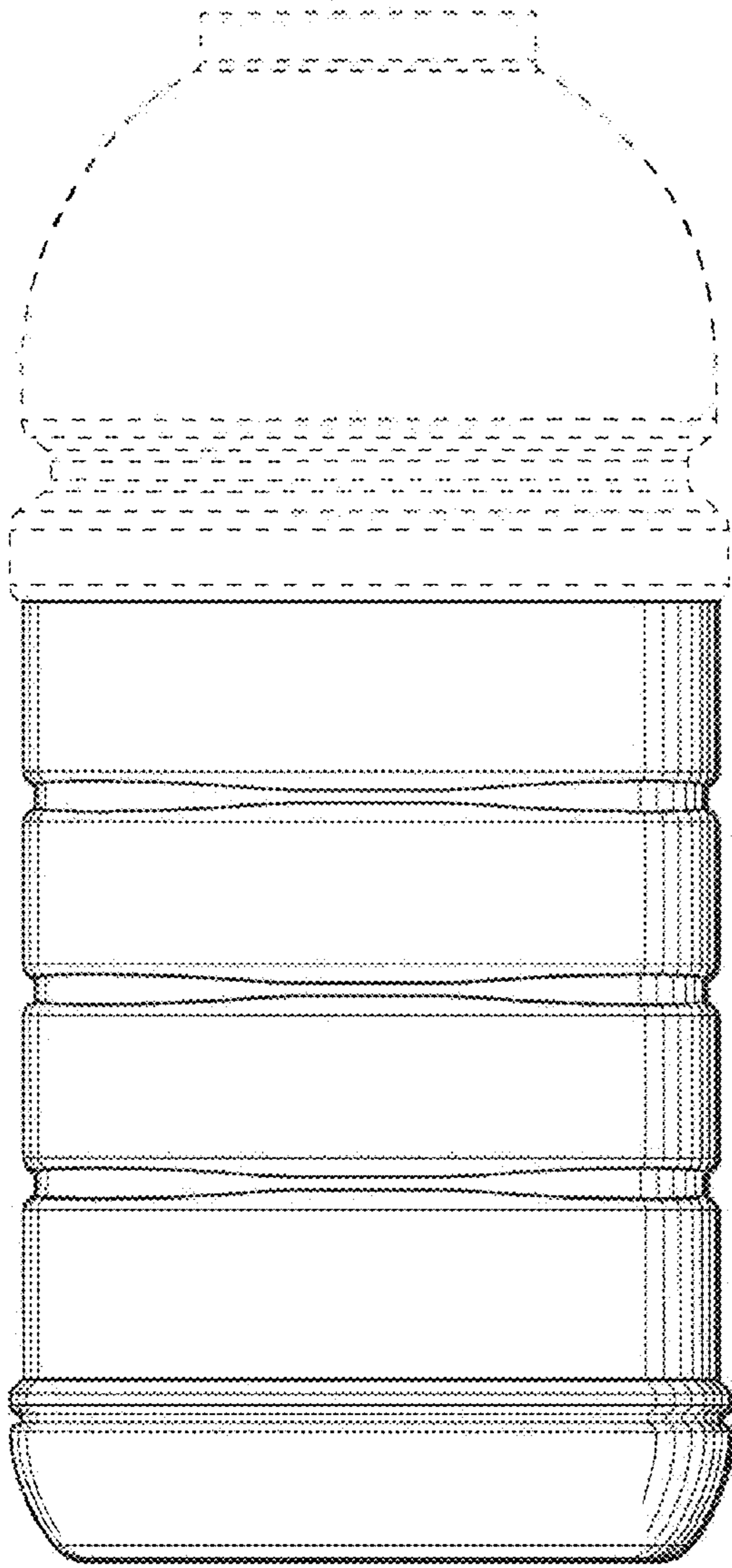


FIG. 6

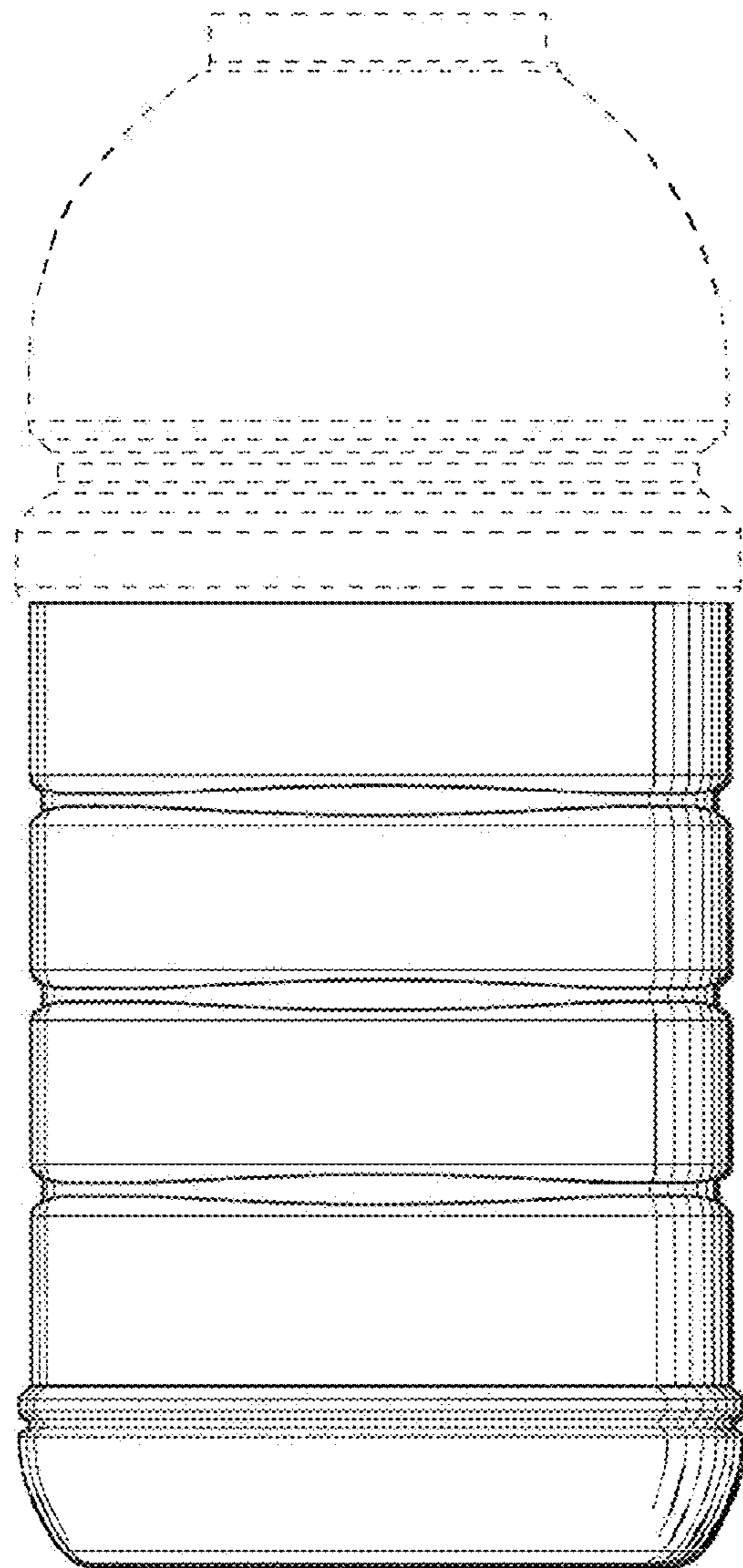


FIG. 7