



US00D950385S

(12) **United States Design Patent** (10) **Patent No.:** **US D950,385 S**  
**Barber** (45) **Date of Patent:** **\*\* May 3, 2022**

(54) **BOTTLE**  
(71) Applicant: **BRADSHAW HOME**, Rancho Cucamonga, CA (US)  
(72) Inventor: **Tom Barber**, Manhattan Beach, CA (US)  
(73) Assignee: **BRADSHAW HOME**, Rancho Cucamonga, CA (US)  
(\*\*) Term: **15 Years**  
(21) Appl. No.: **29/726,315**  
(22) Filed: **Mar. 2, 2020**  
(51) **LOC (13) Cl.** ..... **09-01**  
(52) **U.S. Cl.**  
USPC ..... **D9/523; D9/572**  
(58) **Field of Classification Search**  
USPC ..... D9/523, 528, 530, 531, 540, 543, 549, D9/550, 563, 572, 575  
CPC ..... B65D 1/02; B65D 1/0223; B65D 1/023; B65D 1/0261; B65D 2501/0009; B65D 2501/0081; B65D 2501/009  
See application file for complete search history.

D572,594 S \* 7/2008 Shook ..... D9/516  
D619,009 S \* 7/2010 Heath ..... D9/530  
D645,755 S \* 9/2011 Corbett ..... D9/530  
D673,855 S \* 1/2013 Burgeson ..... D9/530  
D705,069 S \* 5/2014 Crisanti ..... D9/543  
D778,163 S \* 2/2017 Dilley ..... D9/563  
D799,325 S \* 10/2017 Ozamiz ..... D9/563  
D830,834 S \* 10/2018 Salotti ..... D9/543  
D863,967 S \* 10/2019 Ruble ..... D9/530

\* cited by examiner

*Primary Examiner* — Janice Patyk

(74) *Attorney, Agent, or Firm* — Birch, Stewart, Kolasch & Birch, LLP

(57) **CLAIM**

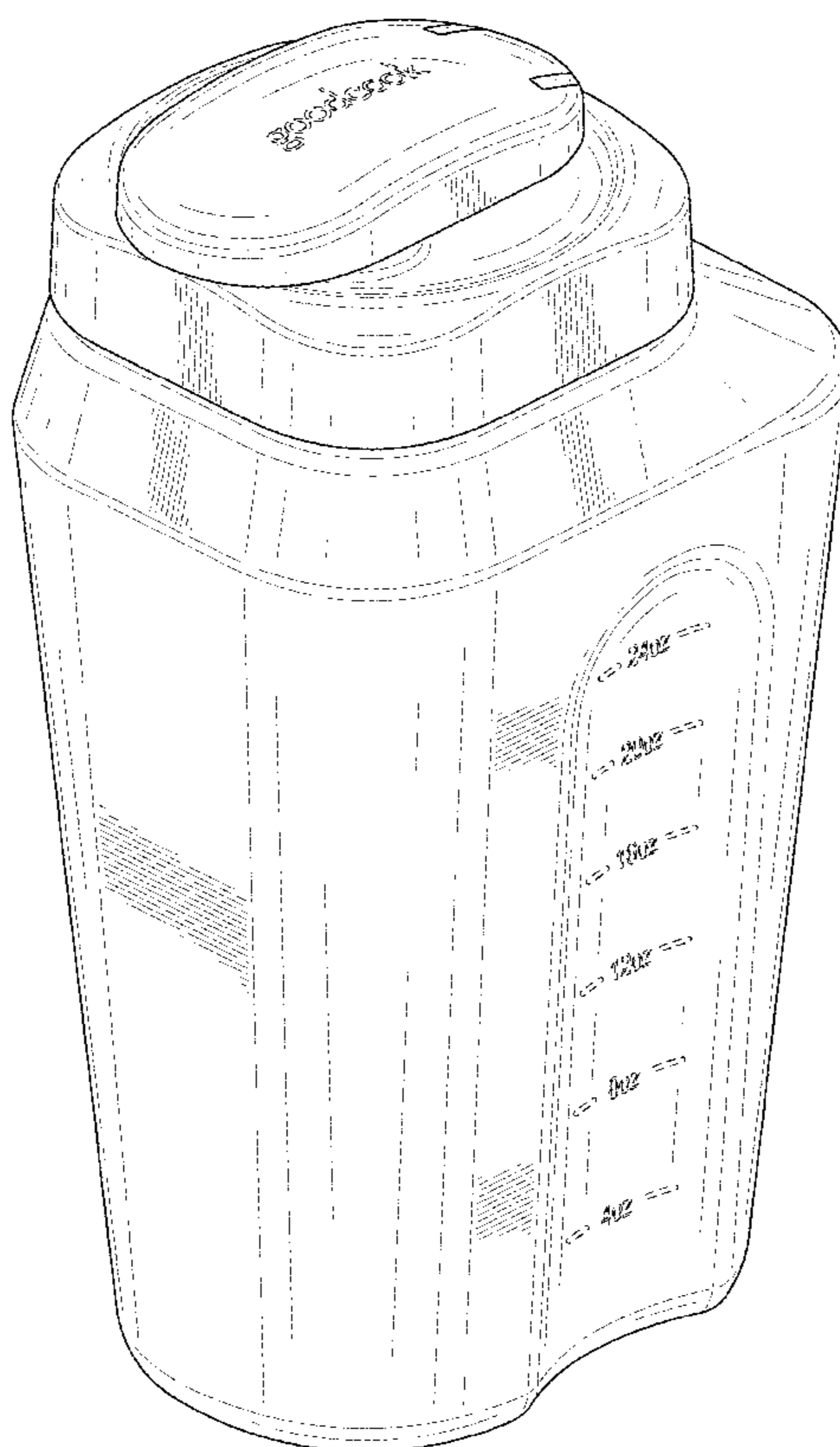
The ornamental design for a bottle, as shown and described.

**DESCRIPTION**

FIG. 1 is a front, right side perspective view of a bottle, showing my new design;  
FIG. 2 is a front view thereof;  
FIG. 3 is a rear view thereof;  
FIG. 4 is a left side view thereof;  
FIG. 5 is a right side view thereof;  
FIG. 6 is a top plan view thereof; and,  
FIG. 7 is a bottom plan view thereof.  
The broken line showing in the figures is for the purpose of illustrating portions of the bottle that form no part of the claimed design; and the dash-dot-dash line defines a boundary of the claimed design and forms no part thereof.

**1 Claim, 7 Drawing Sheets**

(56) **References Cited**  
U.S. PATENT DOCUMENTS  
D507,488 S \* 7/2005 Golding ..... D9/528  
D543,466 S \* 5/2007 Little ..... D9/543  
D558,577 S \* 1/2008 Pettigrew ..... D9/417



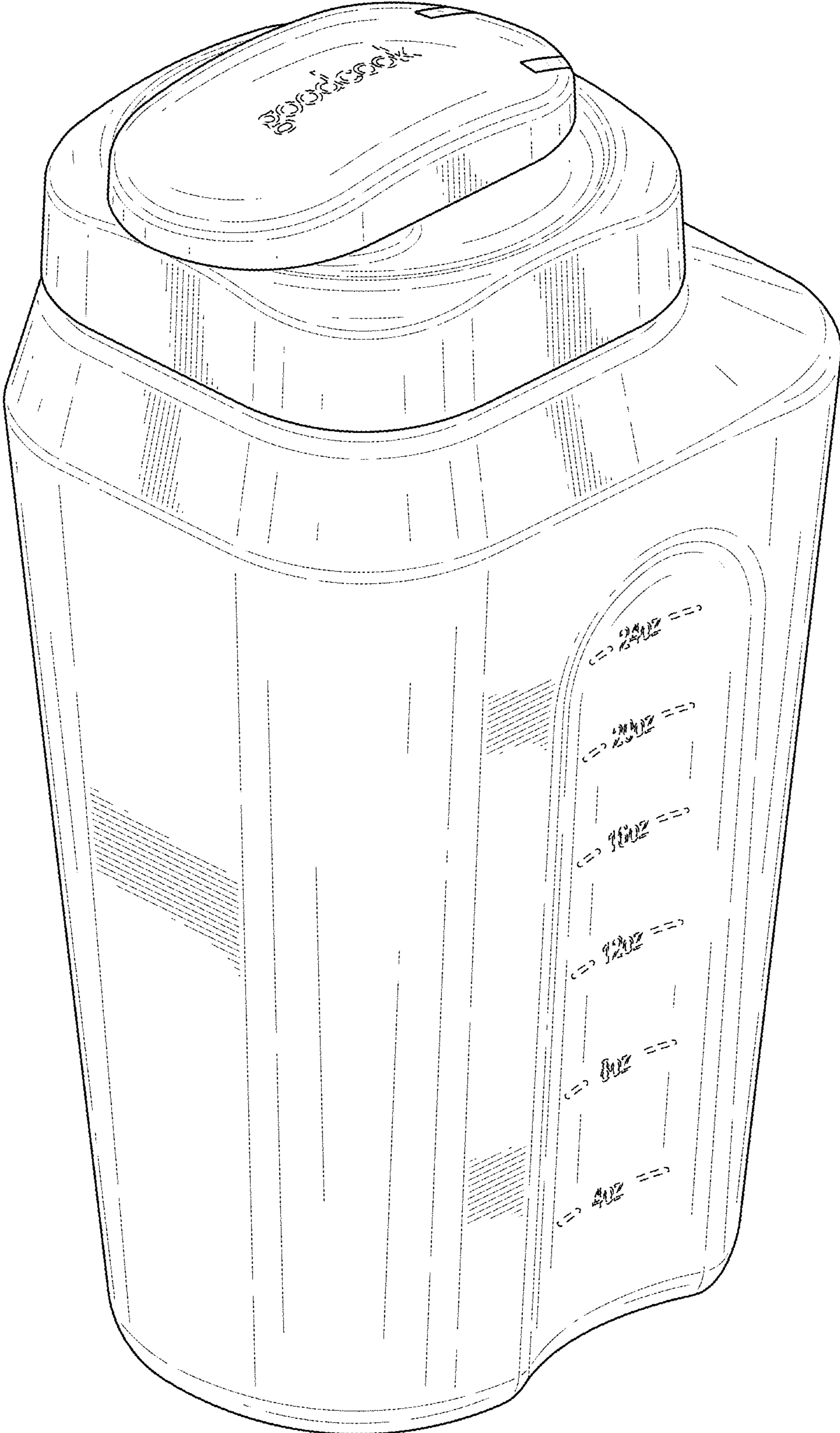


FIG.1

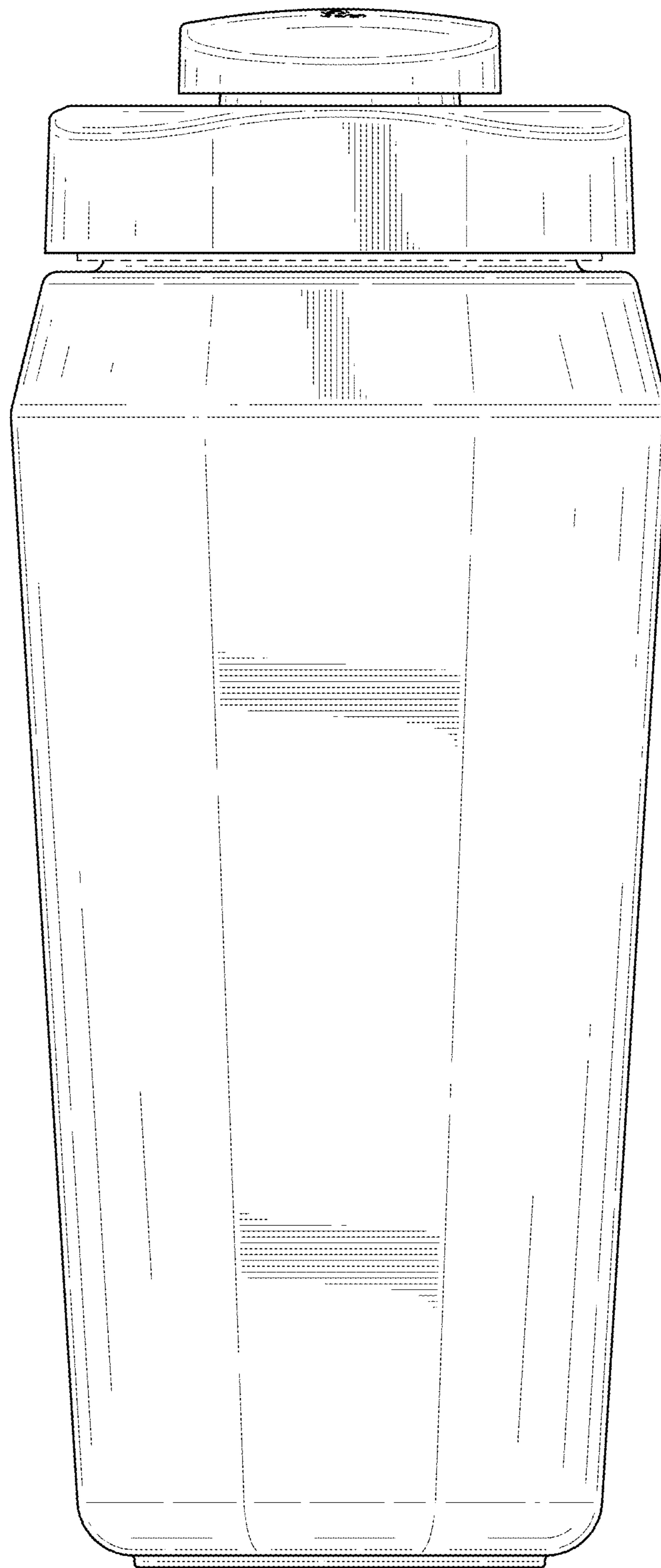


FIG. 2

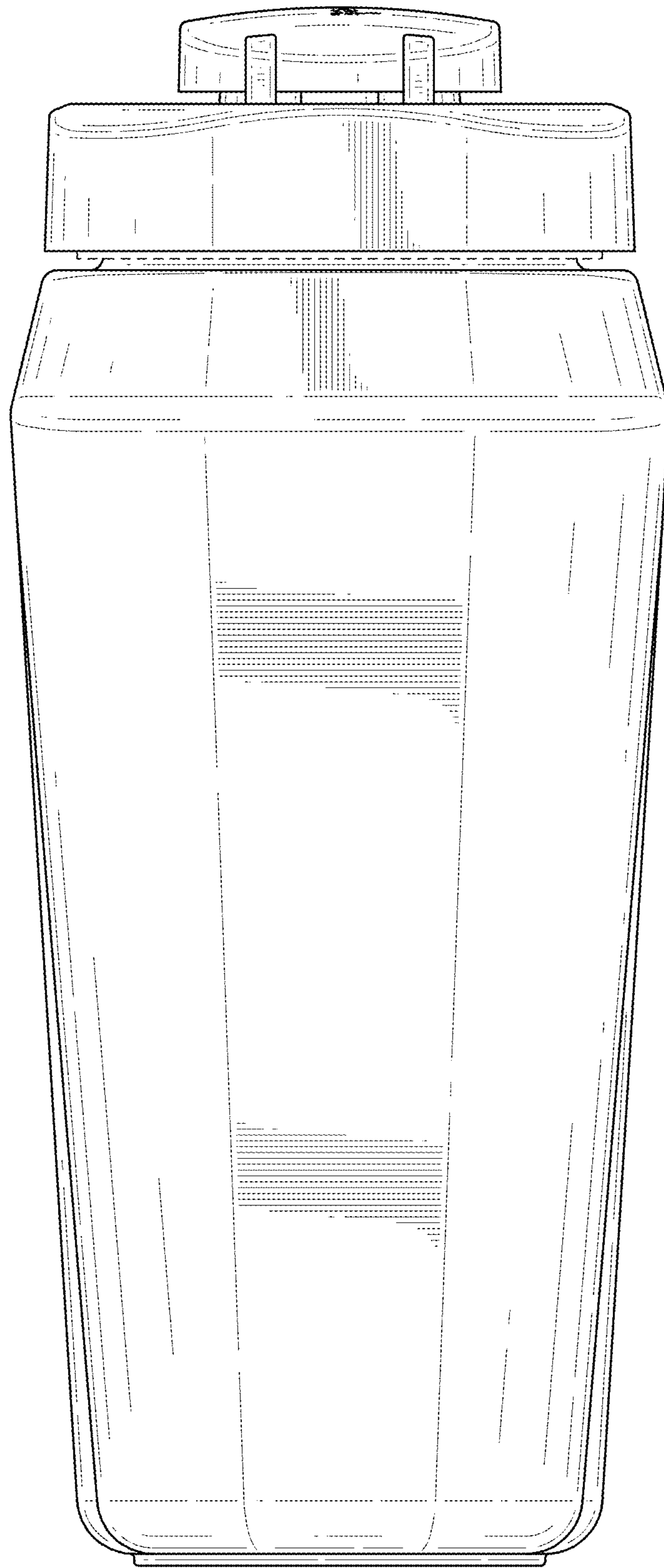


FIG.3

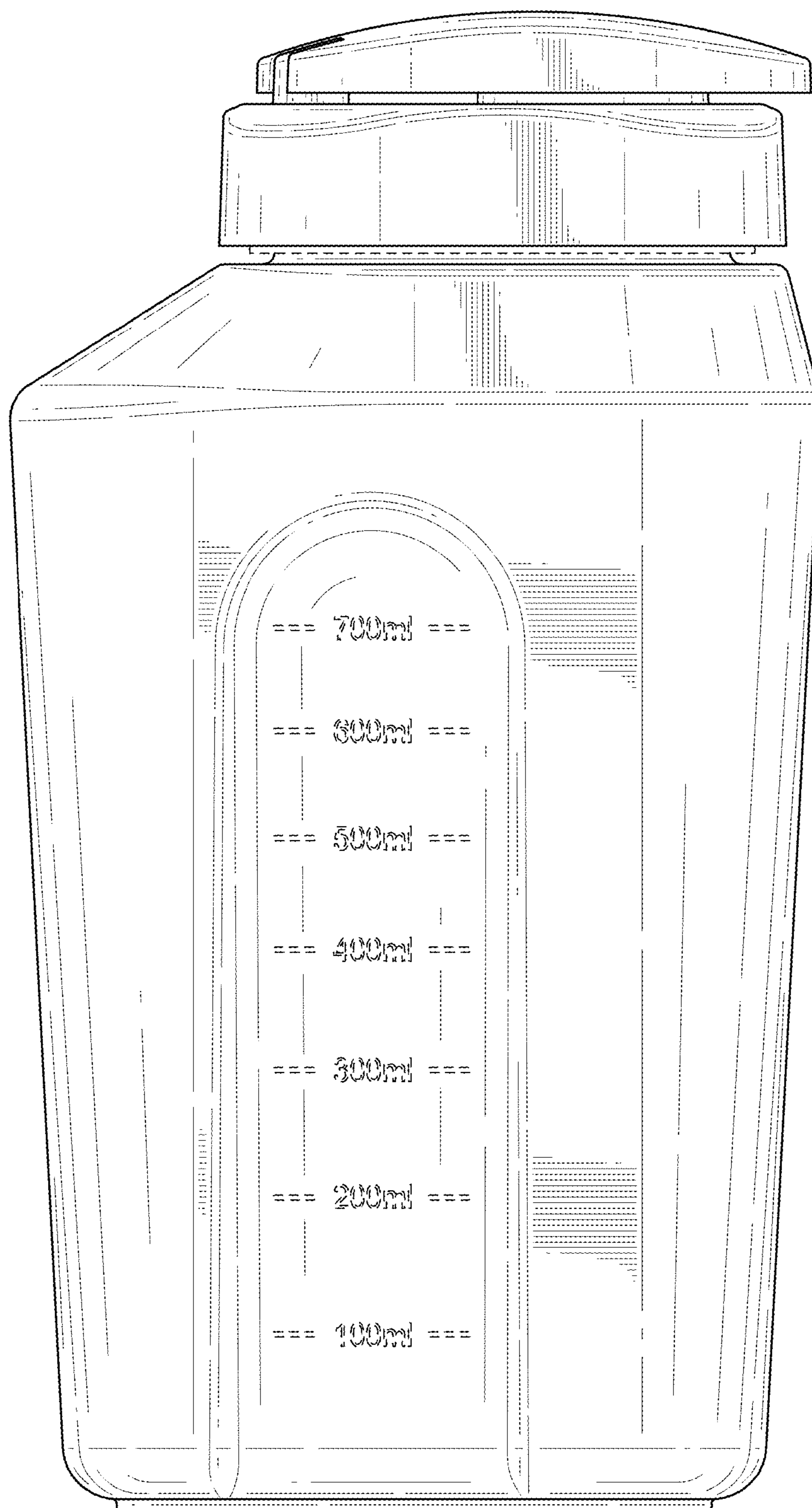


FIG.4

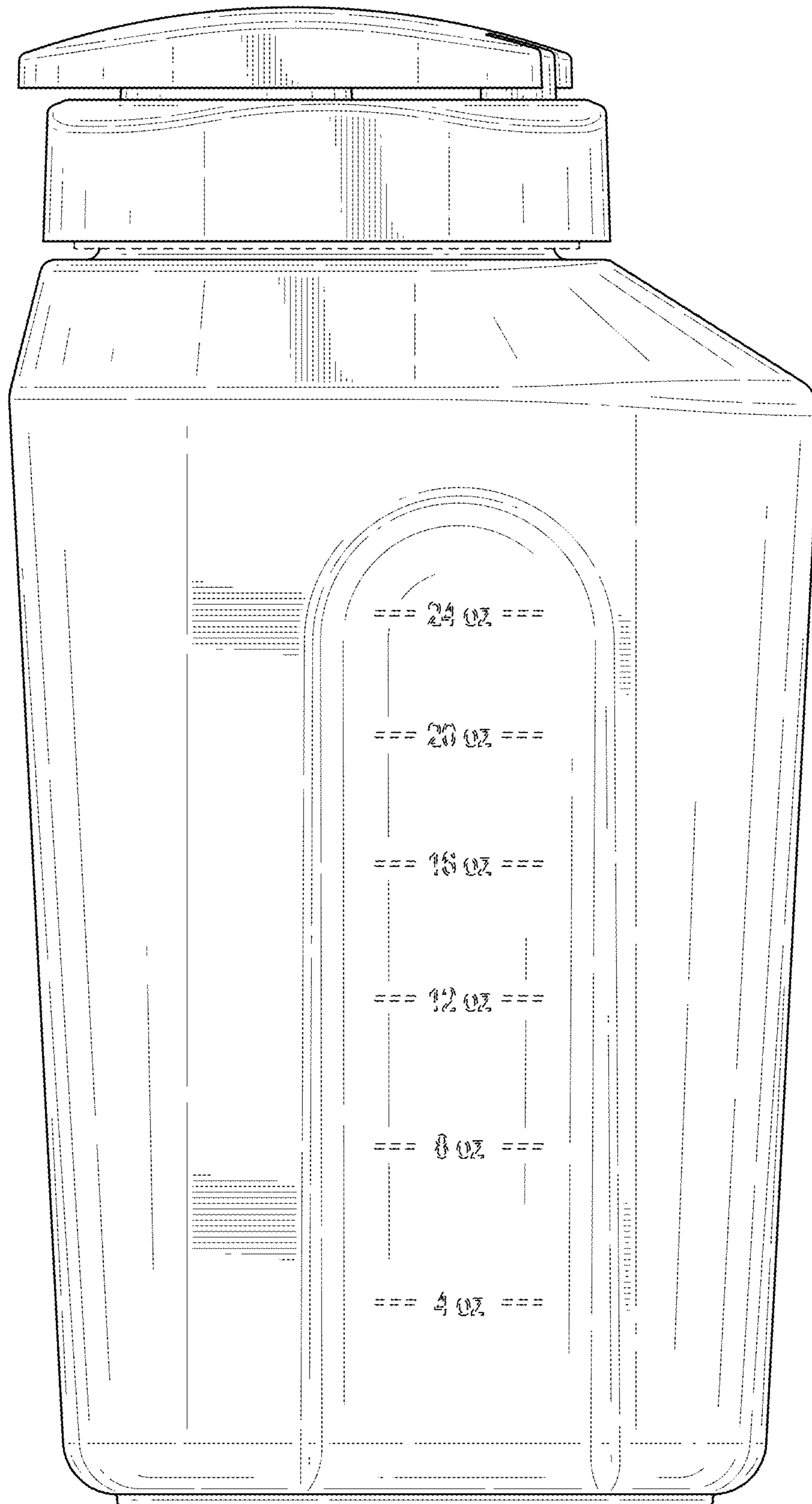


FIG.5

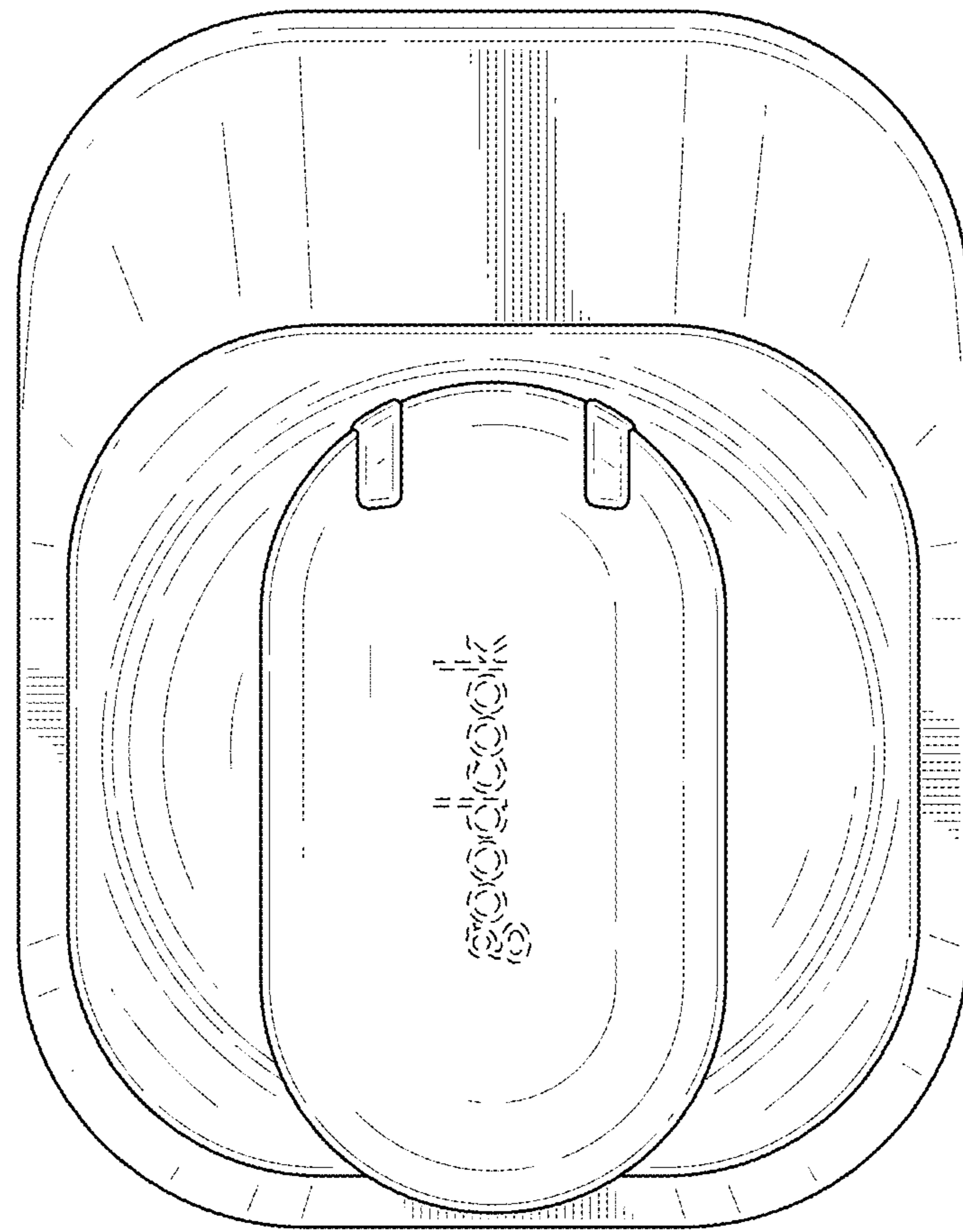


FIG.6

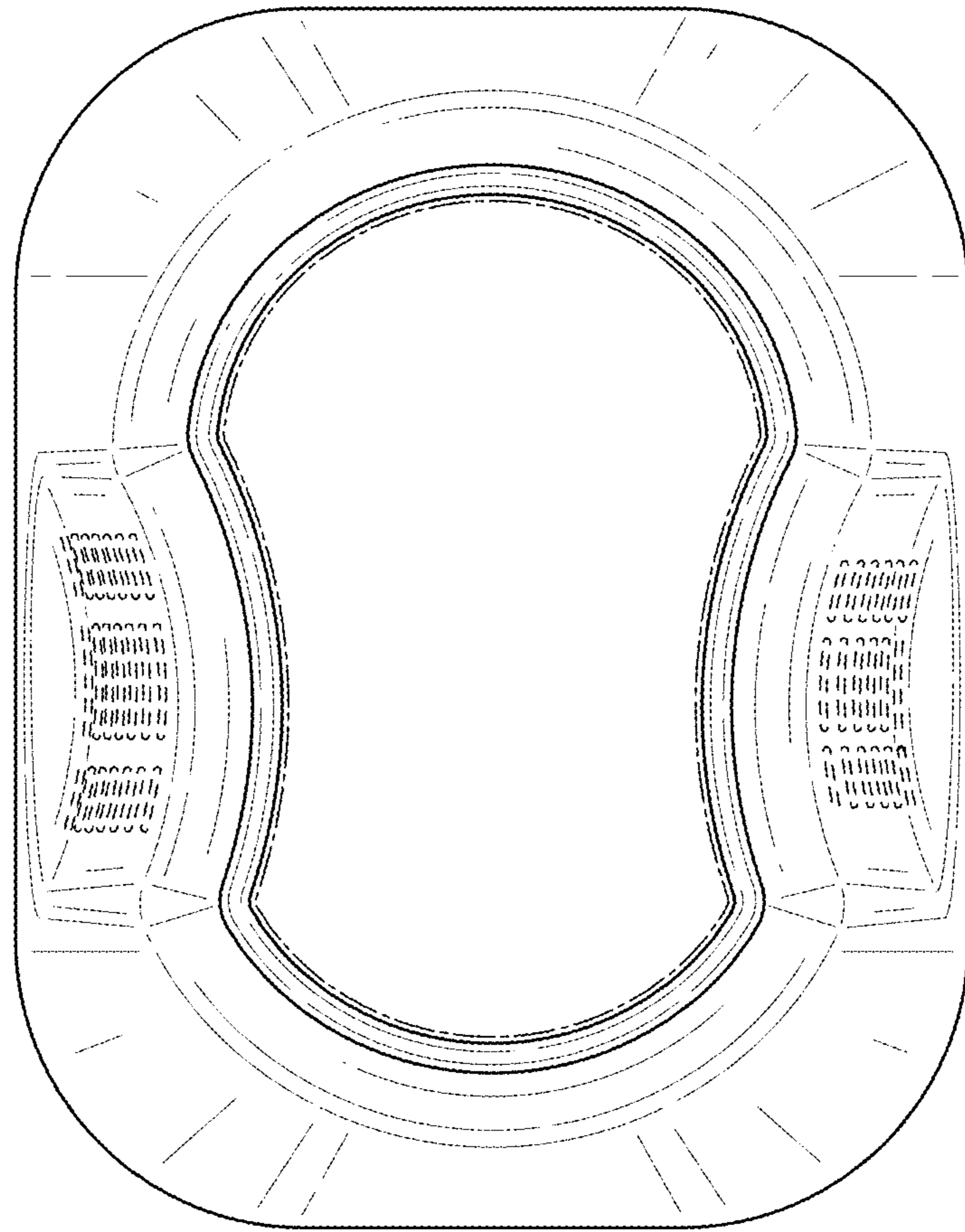


FIG.7