



US00D950382S

(12) **United States Design Patent**  
**Aboabdo**

(10) **Patent No.:** **US D950,382 S**  
(45) **Date of Patent:** **\*\* May 3, 2022**

(54) **CONTAINER**

**DESCRIPTION**

- (71) Applicant: **Chubby Gorilla, Inc.**, Fullerton, CA (US)
- (72) Inventor: **Ibrahiem H. Aboabdo**, Yorba Linda, CA (US)
- (73) Assignee: **Chubby Gorilla, Inc.**, Fullerton, CA (US)
- (\*\*) Term: **15 Years**
- (21) Appl. No.: **29/726,144**
- (22) Filed: **Feb. 28, 2020**
- (51) **LOC (13) Cl.** ..... **09-01**
- (52) **U.S. Cl.**  
USPC ..... **D9/503**
- (58) **Field of Classification Search**  
USPC ..... D9/500–505, 516, 519, 523, 529, 549, D9/550, 556, 558, 563, 575, 547, 548  
(Continued)

FIG. 1 is a top perspective view of a first embodiment of a container embodying the new design.  
 FIG. 2 is a bottom perspective view thereof.  
 FIG. 3 is a front view thereof.  
 FIG. 4 is a rear view thereof.  
 FIG. 5 is a first side view thereof.  
 FIG. 6 is a second side view thereof.  
 FIG. 7 is a top view thereof.  
 FIG. 8 is a bottom view thereof.  
 FIG. 9 is an exploded perspective view thereof.  
 FIG. 10 is an exploded front view thereof.  
 FIG. 11 is a top perspective view of a second embodiment of a container embodying the new design.  
 FIG. 12 is a bottom perspective view thereof.  
 FIG. 13 is a front view thereof.  
 FIG. 14 is a rear view thereof.  
 FIG. 15 is a first side view thereof.  
 FIG. 16 is a second side view thereof.  
 FIG. 17 is a top view thereof.  
 FIG. 18 is a bottom view thereof.  
 FIG. 19 is an exploded perspective view thereof.  
 FIG. 20 is an exploded front view thereof.  
 FIG. 21 is a top perspective view of a third embodiment of a container embodying the new design.  
 FIG. 22 is a bottom perspective view thereof.  
 FIG. 23 is a front view thereof.  
 FIG. 24 is a rear view thereof.  
 FIG. 25 is a first side view thereof.  
 FIG. 26 is a second side view thereof.  
 FIG. 27 is a top view thereof.  
 FIG. 28 is a bottom view thereof.  
 FIG. 29 is an exploded perspective view thereof.  
 FIG. 30 is an exploded front view thereof.  
 FIG. 31 is a top perspective view of a fourth embodiment of a container embodying the new design.  
 FIG. 32 is a bottom perspective view thereof.  
 FIG. 33 is a front view thereof.  
 FIG. 34 is a rear view thereof.  
 FIG. 35 is a first side view thereof.  
 FIG. 36 is a second side view thereof.  
 FIG. 37 is a top view thereof.

(56) **References Cited**

**U.S. PATENT DOCUMENTS**

D127,479 S 5/1941 Buckingham  
 D284,270 S 6/1986 Pearce  
 (Continued)

**FOREIGN PATENT DOCUMENTS**

GB 2102706 7/2001  
 IN 269655-0001 9/2015  
 JP D1262309 2/2006

*Primary Examiner* — Brett Miller

*Assistant Examiner* — Rani J Abdallah

(74) *Attorney, Agent, or Firm* — Knobbe, Martens, Olson & Bear, LLP

(57) **CLAIM**

The ornamental design for a container, as shown and described herein.

(Continued)

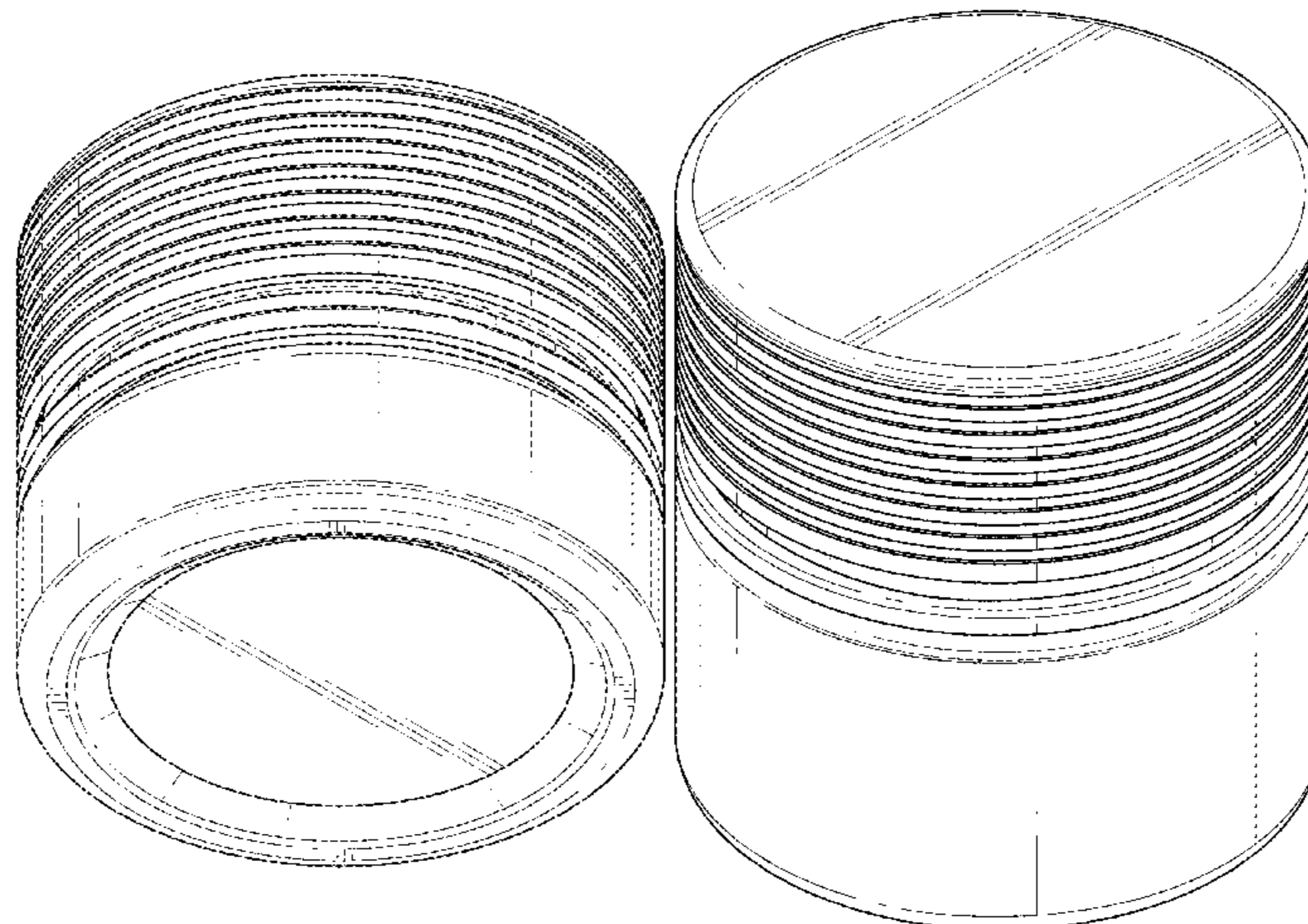


FIG. 38 is a bottom view thereof.  
 FIG. 39 is an exploded perspective view thereof.  
 FIG. 40 is an exploded front view thereof.  
 FIG. 41 is a top perspective view of a fifth embodiment of a container embodying the new design.  
 FIG. 42 is a bottom perspective view thereof.  
 FIG. 43 is a front view thereof.  
 FIG. 44 is a rear view thereof.  
 FIG. 45 is a first side view thereof.  
 FIG. 46 is a second side view thereof.  
 FIG. 47 is a top view thereof.  
 FIG. 48 is a bottom view thereof.  
 FIG. 49 is an exploded perspective view thereof.  
 FIG. 50 is an exploded front view thereof.  
 FIG. 51 is a top perspective view of a sixth embodiment of a container embodying the new design.  
 FIG. 52 is a bottom perspective view thereof.  
 FIG. 53 is a front view thereof.  
 FIG. 54 is a rear view thereof.  
 FIG. 55 is a first side view thereof.  
 FIG. 56 is a second side view thereof.  
 FIG. 57 is a top view thereof.  
 FIG. 58 is a bottom view thereof.  
 FIG. 59 is an exploded perspective view thereof; and,  
 FIG. 60 is an exploded front view thereof.

The second embodiment is shown with a symbolic break in its length, represented by break lines. The appearance of any portion of the article between the break lines forms no part of the claimed subject matter.

All features in broken lines are for the purpose of illustrating environmental structure and form no part of the claimed subject matter.

**1 Claim, 48 Drawing Sheets**

**(58) Field of Classification Search**

CPC .... B65D 1/0246; B65D 41/04; B65D 1/0223;  
 B65D 2543/00092; Y10S 220/906  
 See application file for complete search history.

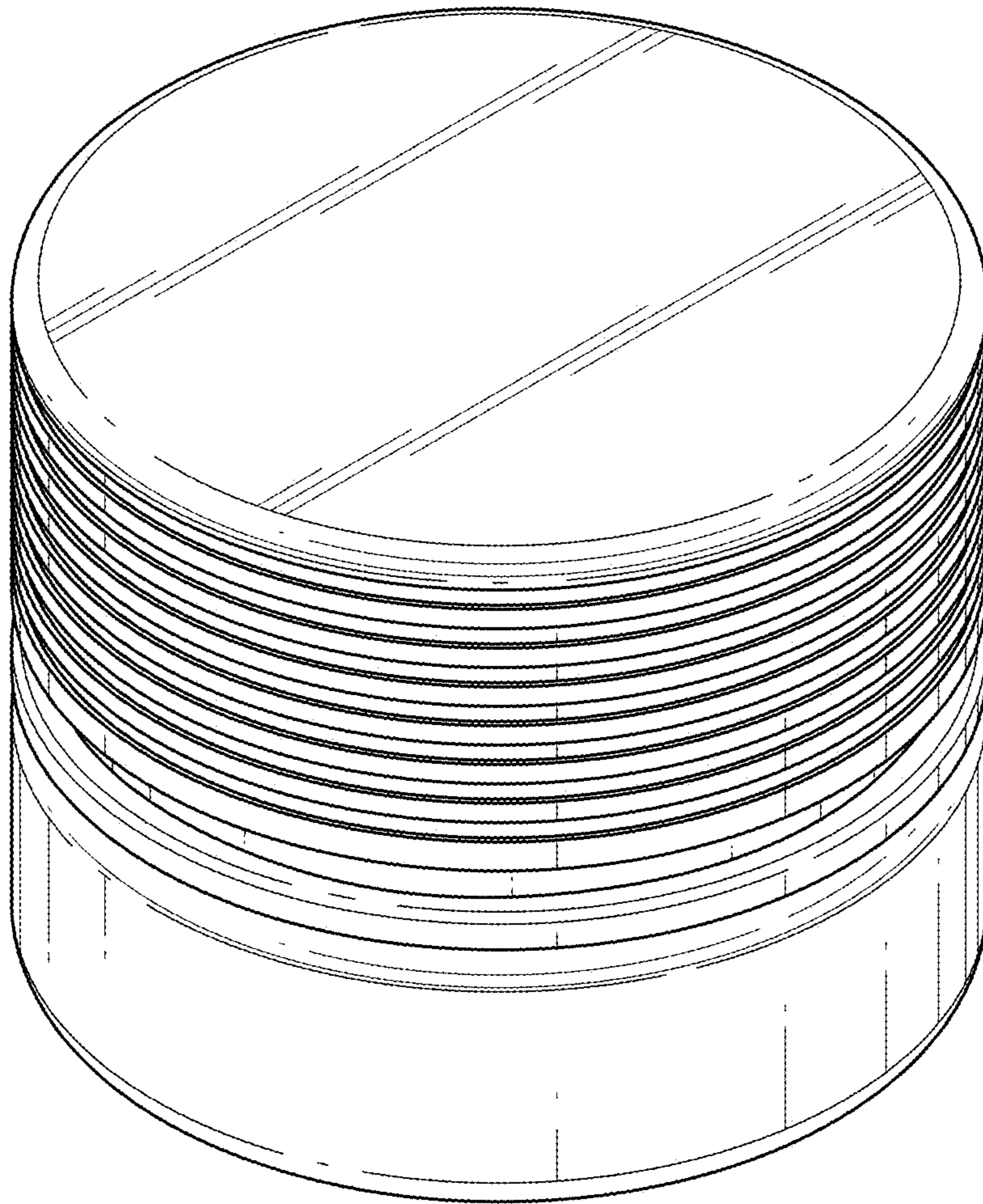
**(56) References Cited**

**U.S. PATENT DOCUMENTS**

5,052,592 A 10/1991 Wilken  
 D322,753 S \* 12/1991 Sussman ..... D9/504  
 5,115,929 A \* 5/1992 Buono ..... B65D 50/041  
 215/216  
 5,207,341 A 5/1993 Yeager  
 D381,259 S \* 7/1997 Hayes ..... D9/503  
 5,927,532 A \* 7/1999 Traub ..... B65D 41/06  
 215/342

D430,293 S 8/2000 Jansen  
 D485,016 S \* 1/2004 Noh ..... D28/76  
 D499,650 S \* 12/2004 Crawford ..... D9/502  
 D503,830 S \* 4/2005 Tanii ..... D28/76  
 H2217 H 6/2008 Smay  
 D603,502 S 11/2009 Peterson  
 D612,240 S \* 3/2010 Cresswell ..... D9/504  
 7,798,319 B1 \* 9/2010 Bried ..... B65D 51/16  
 206/242  
 D633,653 S \* 3/2011 Lee ..... D28/76  
 D659,539 S \* 5/2012 Bakic ..... D9/503  
 D733,967 S \* 7/2015 Schlatter ..... D9/504  
 D739,256 S \* 9/2015 Kim ..... B65D 51/145  
 D9/503  
 D766,093 S 9/2016 Otani  
 D770,284 S \* 11/2016 Luu ..... D9/502  
 D773,660 S 12/2016 Shiozaki et al.  
 D776,354 S \* 1/2017 Schlatter ..... D9/504  
 D794,178 S 8/2017 Daniel et al.  
 D799,755 S \* 10/2017 Chertoff ..... D28/89  
 D800,983 S \* 10/2017 Lee ..... D9/503  
 D803,055 S 11/2017 Luu  
 D828,113 S \* 9/2018 Fleischhut ..... D9/502  
 D844,438 S \* 4/2019 Deylamian ..... D9/503  
 D847,645 S \* 5/2019 Lee ..... D9/504  
 D857,516 S \* 8/2019 Lutens ..... D9/682  
 D867,883 S 11/2019 Luu  
 D871,844 S \* 1/2020 Adams, Jr. .... D7/510  
 D888,508 S \* 6/2020 Rane ..... D7/630  
 D888,509 S \* 6/2020 Rane ..... D7/630  
 D889,966 S 7/2020 Gautier  
 D893,300 S \* 8/2020 Aboabdo ..... D9/503  
 D894,004 S \* 8/2020 Aboabdo ..... D9/503  
 D900,615 S \* 11/2020 Gautier ..... D9/503  
 D907,497 S \* 1/2021 Laib ..... D9/500  
 D907,500 S \* 1/2021 Aboabdo ..... D9/503  
 D907,501 S \* 1/2021 Aboabdo ..... D9/503  
 D908,500 S \* 1/2021 Aboabdo ..... D9/503  
 D909,207 S \* 2/2021 Blomberg ..... D9/504  
 D909,877 S \* 2/2021 Hwang ..... D9/503  
 D913,100 S \* 3/2021 Duong ..... D9/504  
 D915,205 S \* 4/2021 Castellanos ..... D9/504  
 D917,292 S \* 4/2021 Blomberg ..... D9/504  
 D918,040 S \* 5/2021 Blomberg ..... D9/504  
 D918,720 S \* 5/2021 Jiang ..... D9/504  
 D922,875 S 6/2021 Gautier  
 D925,362 S \* 7/2021 Lanz ..... D9/504  
 D927,979 S \* 8/2021 Jiang ..... D9/503  
 D927,980 S \* 8/2021 Jiang ..... D9/502  
 D929,863 S \* 9/2021 Demers ..... D9/504  
 D932,306 S \* 10/2021 Hwang ..... D28/76  
 D933,480 S \* 10/2021 Aboabdo ..... D9/503  
 2015/0122769 A1 \* 5/2015 Taber ..... B65D 51/145  
 215/350  
 2016/0130063 A1 5/2016 Demery  
 2016/0176591 A1 \* 6/2016 Thomas ..... B65D 50/046  
 D9/504  
 2019/0315534 A1 \* 10/2019 Karll ..... B65D 50/041  
 D9/504

\* cited by examiner



*FIG. 1*

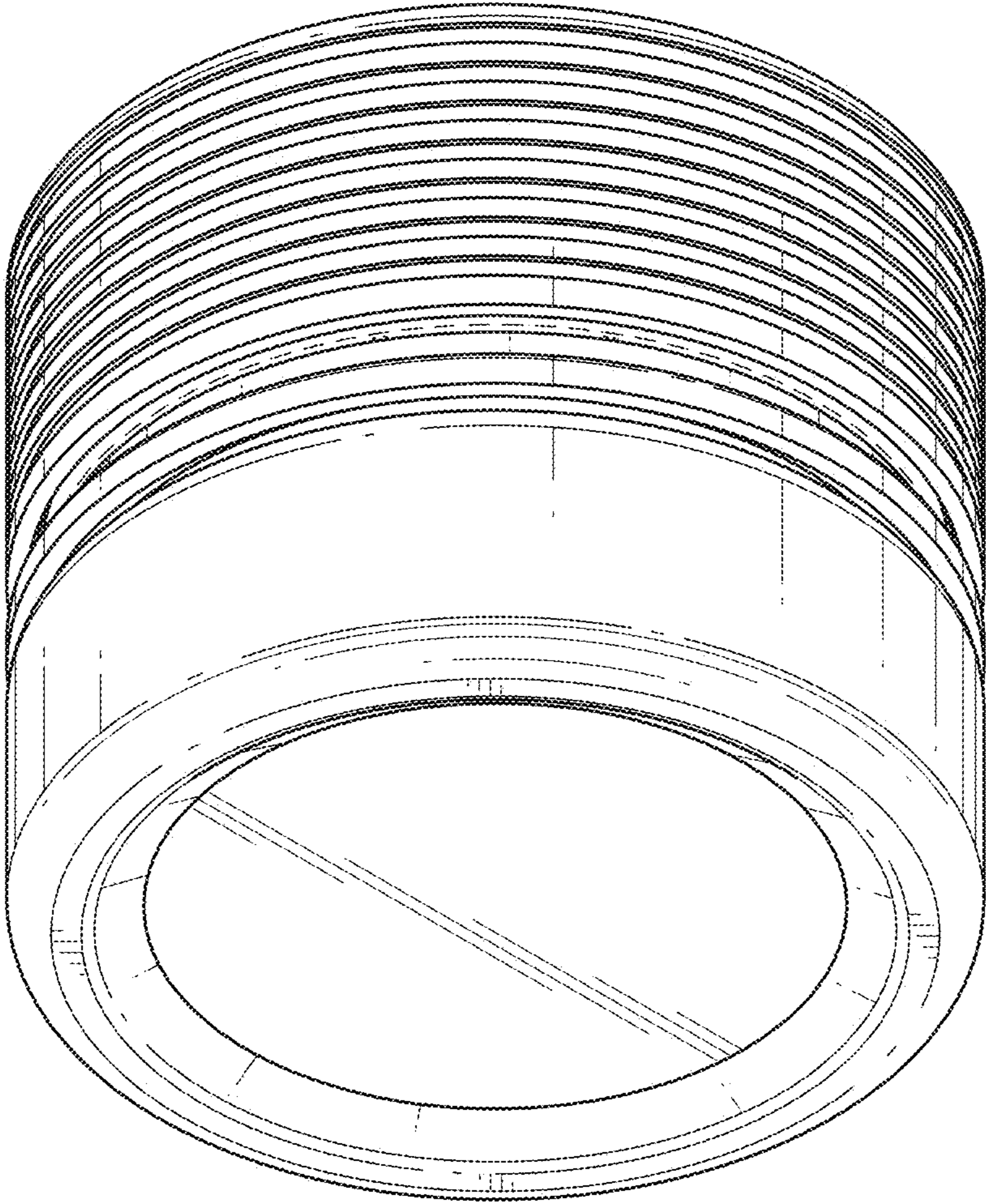
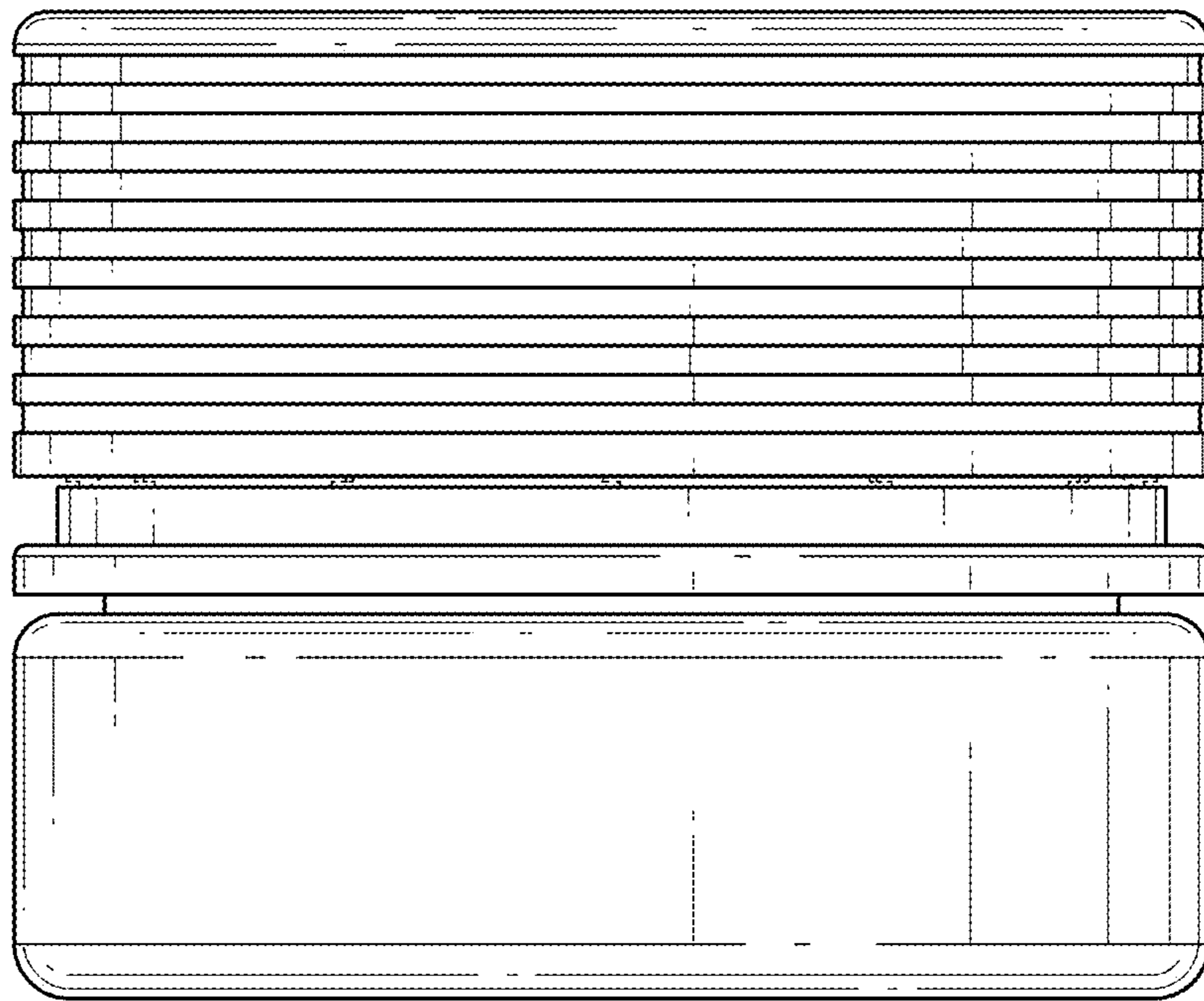
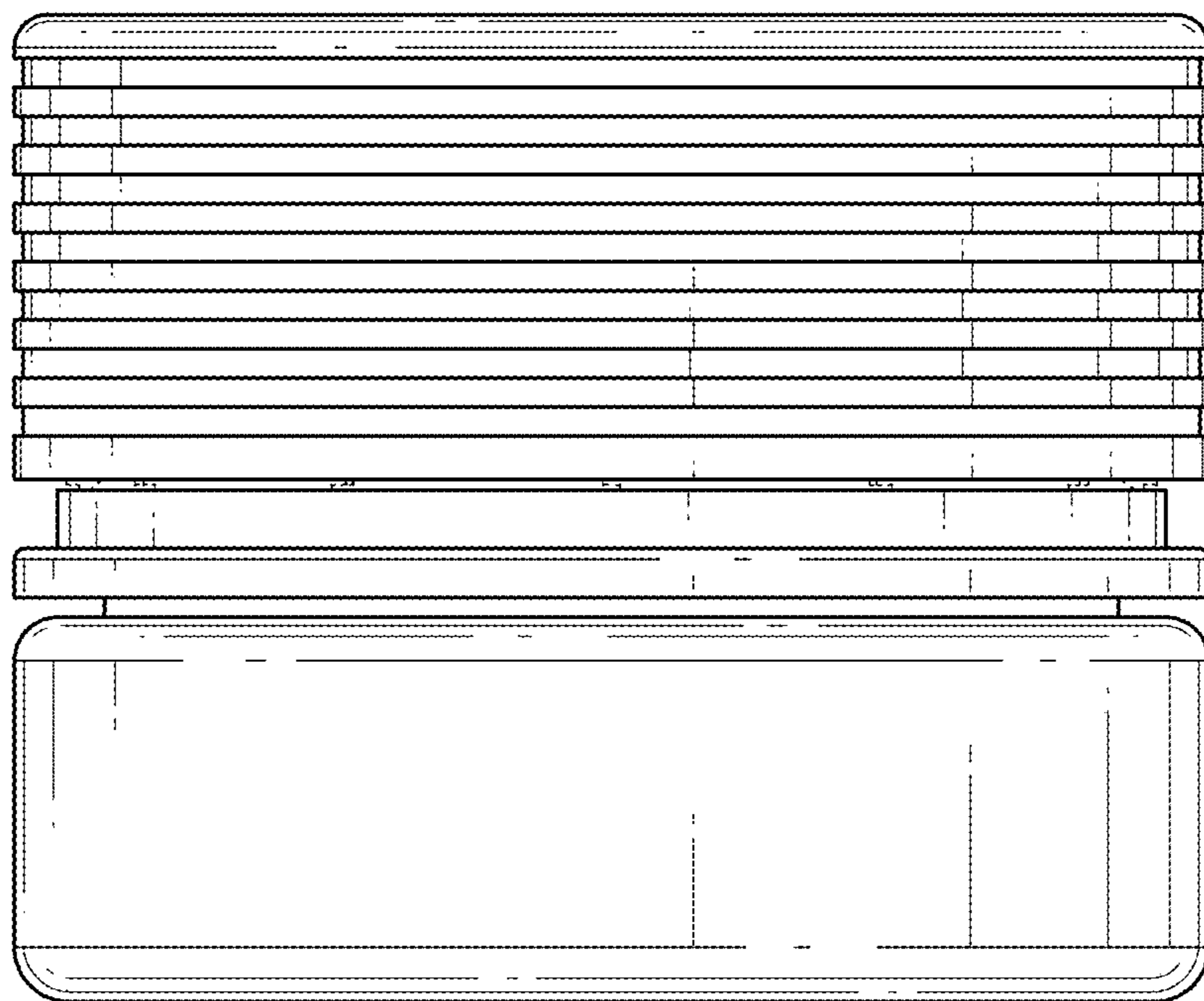


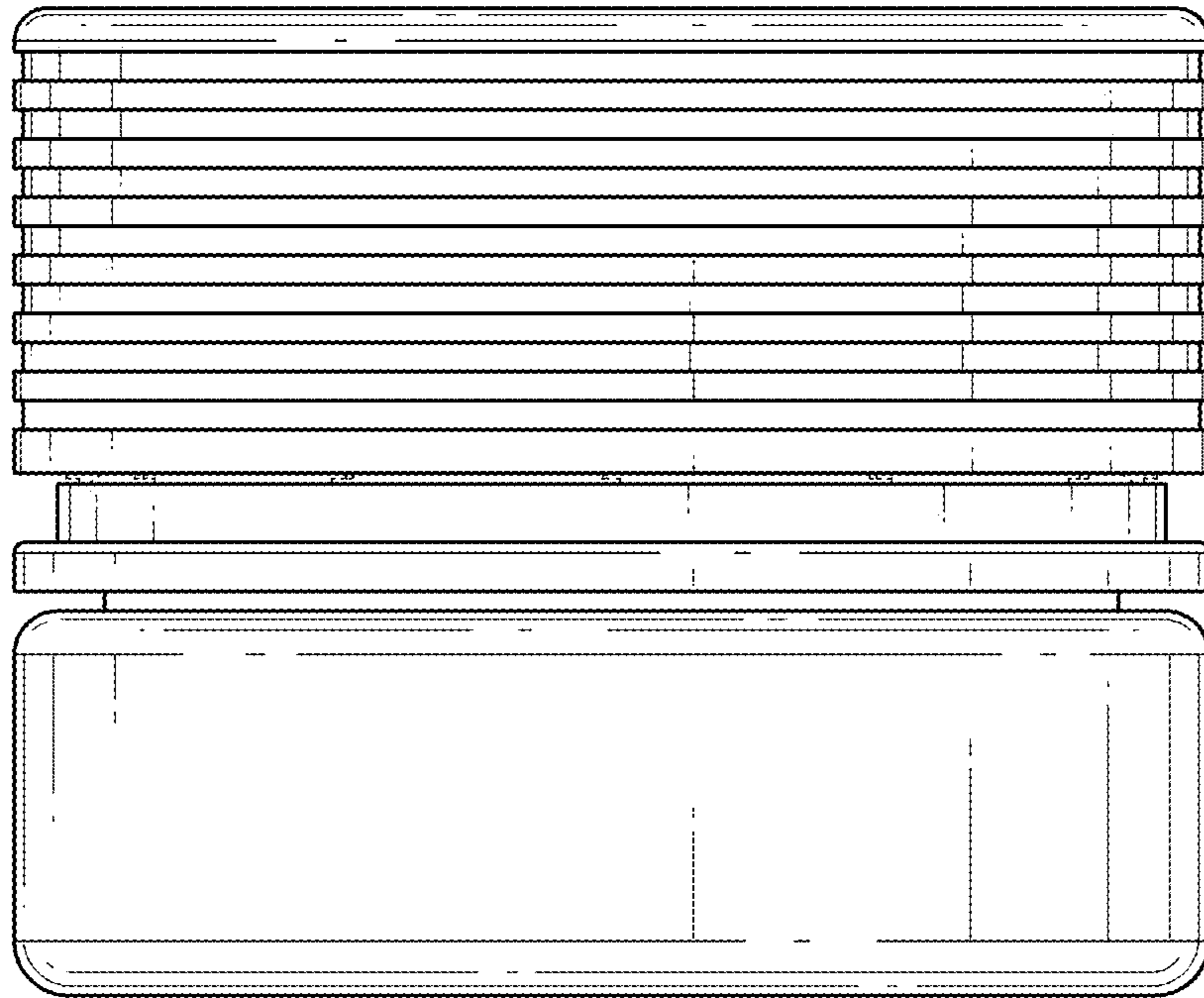
FIG. 2



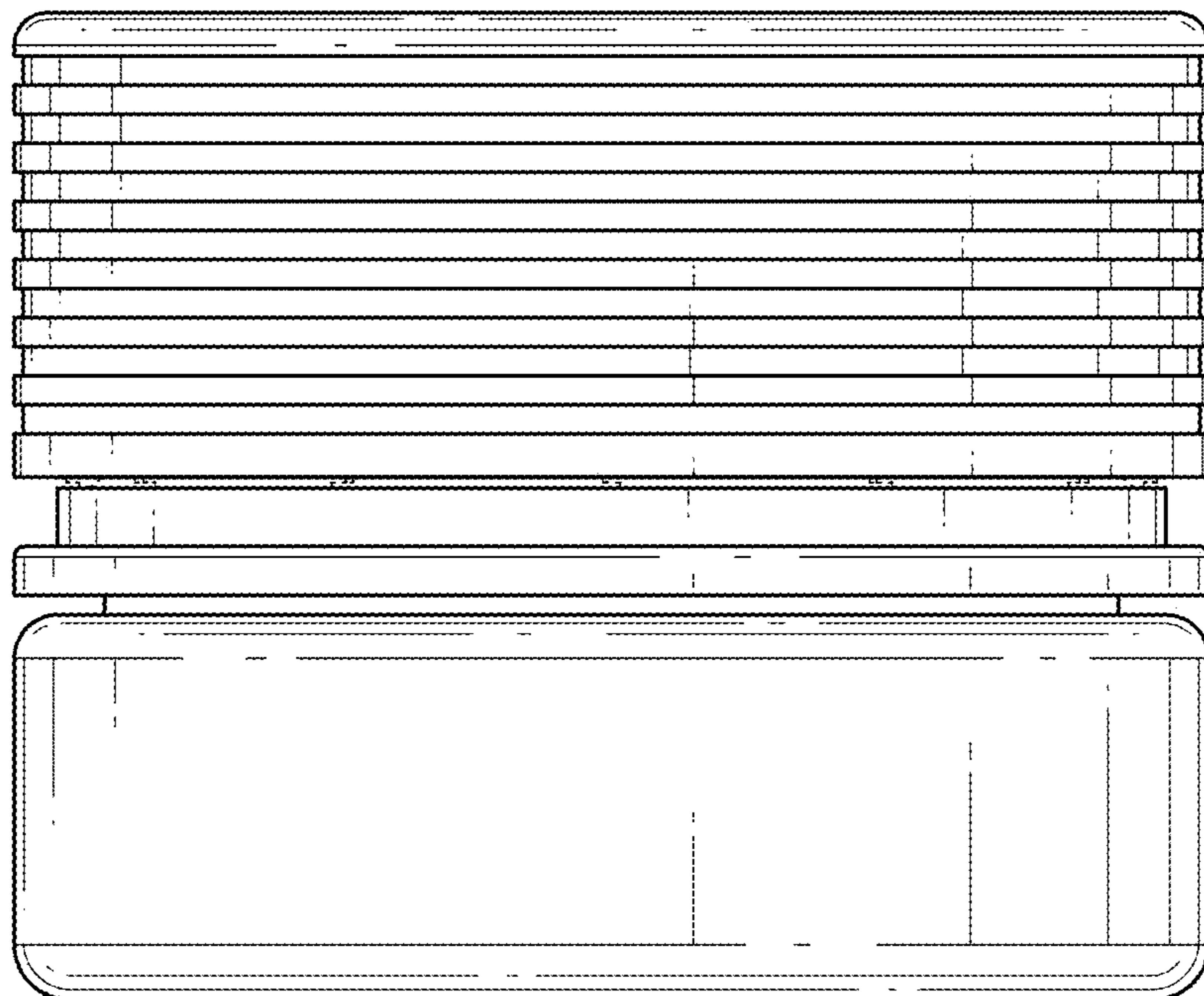
*FIG. 3*



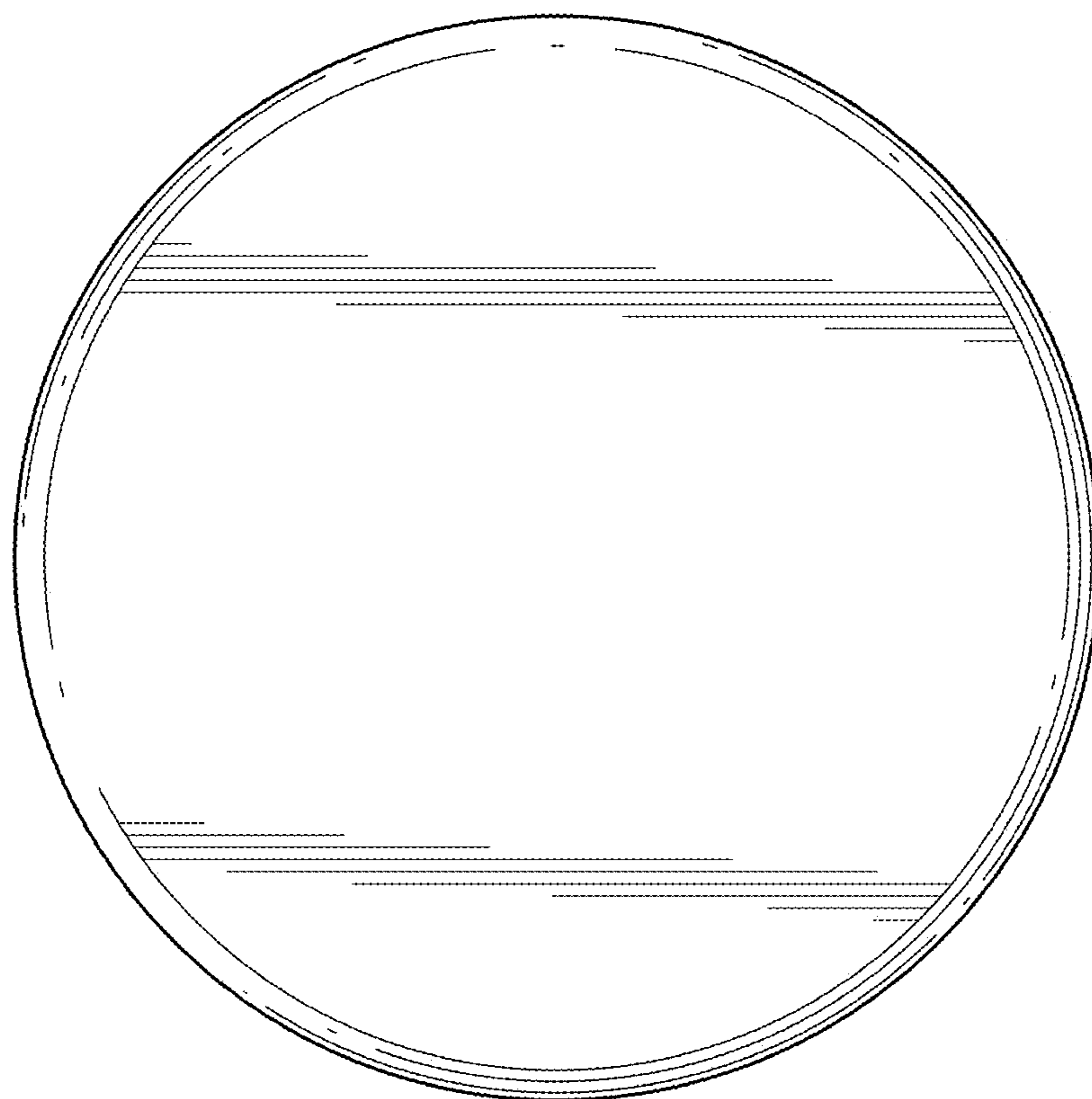
*FIG. 4*



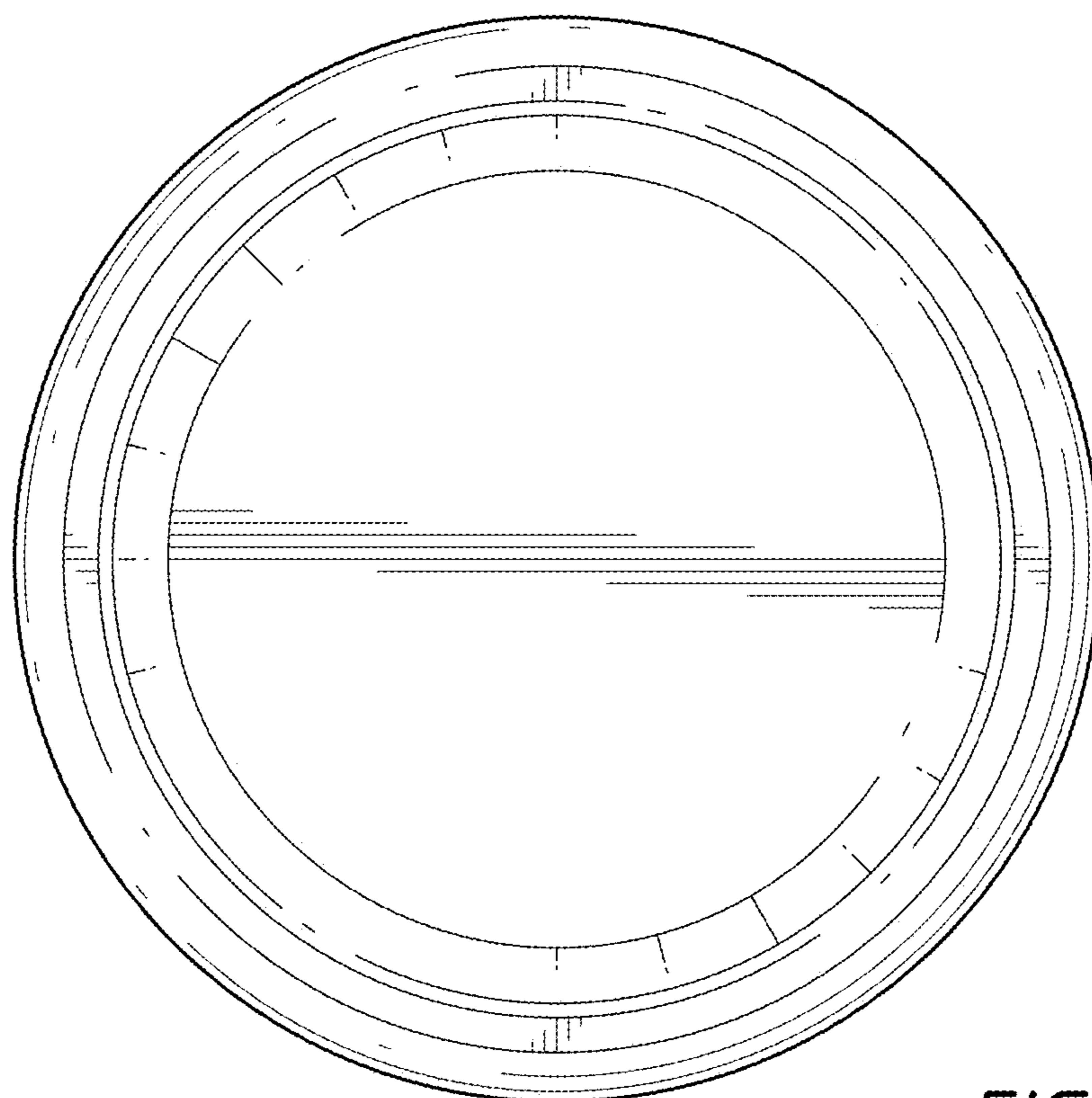
*FIG. 5*



*FIG. 6*



*FIG. 7*



*FIG. 8*

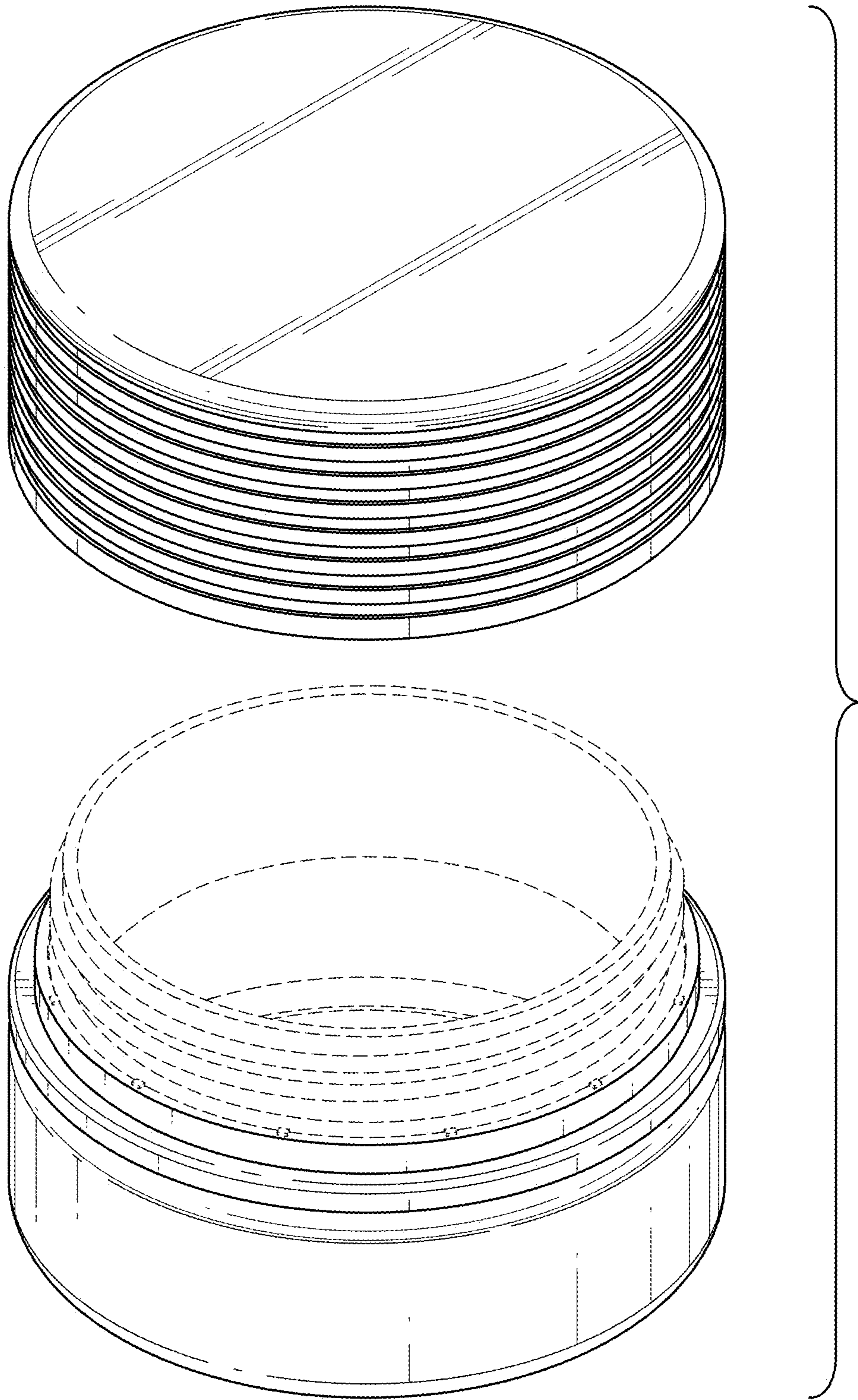


FIG. 9



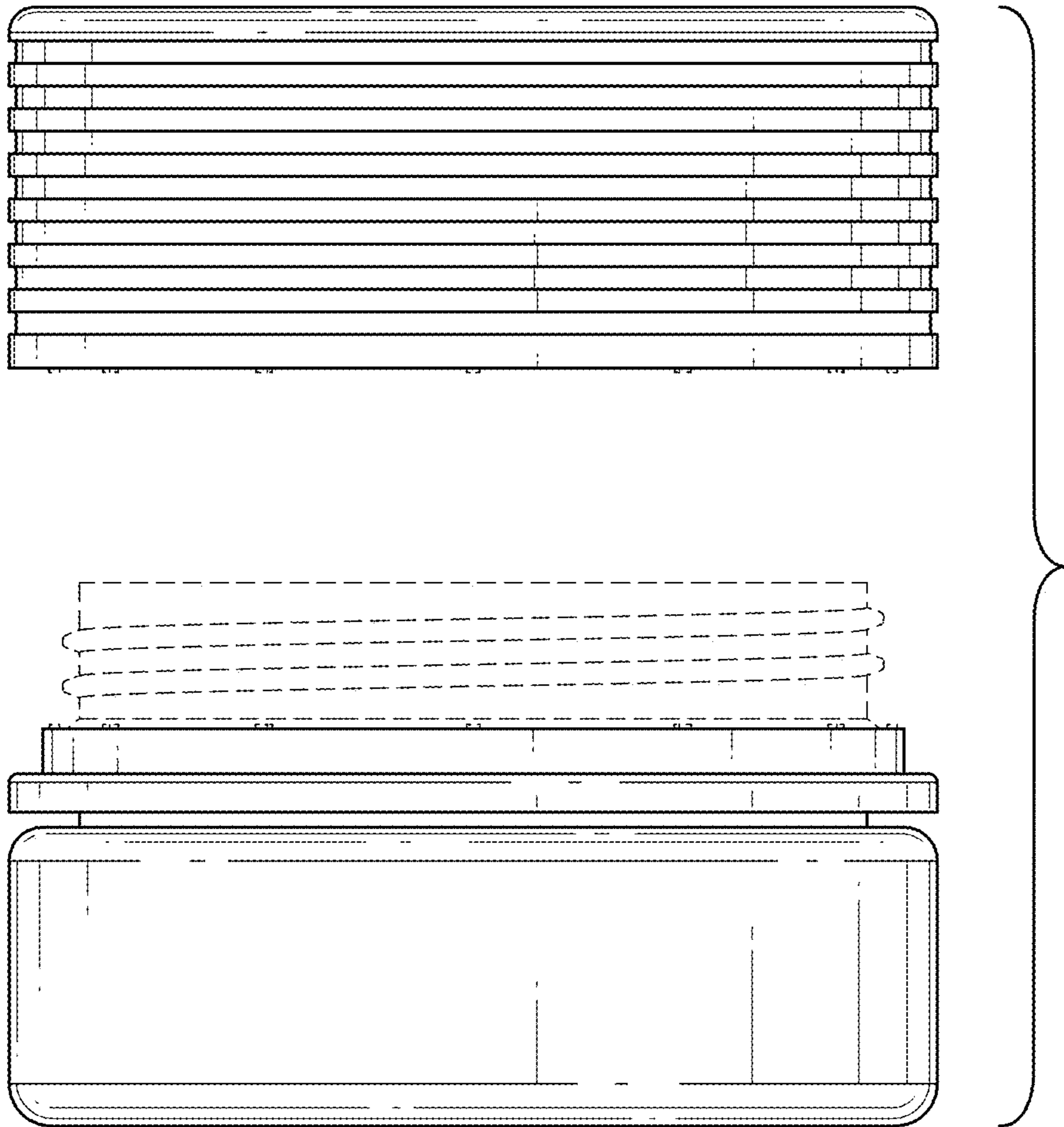
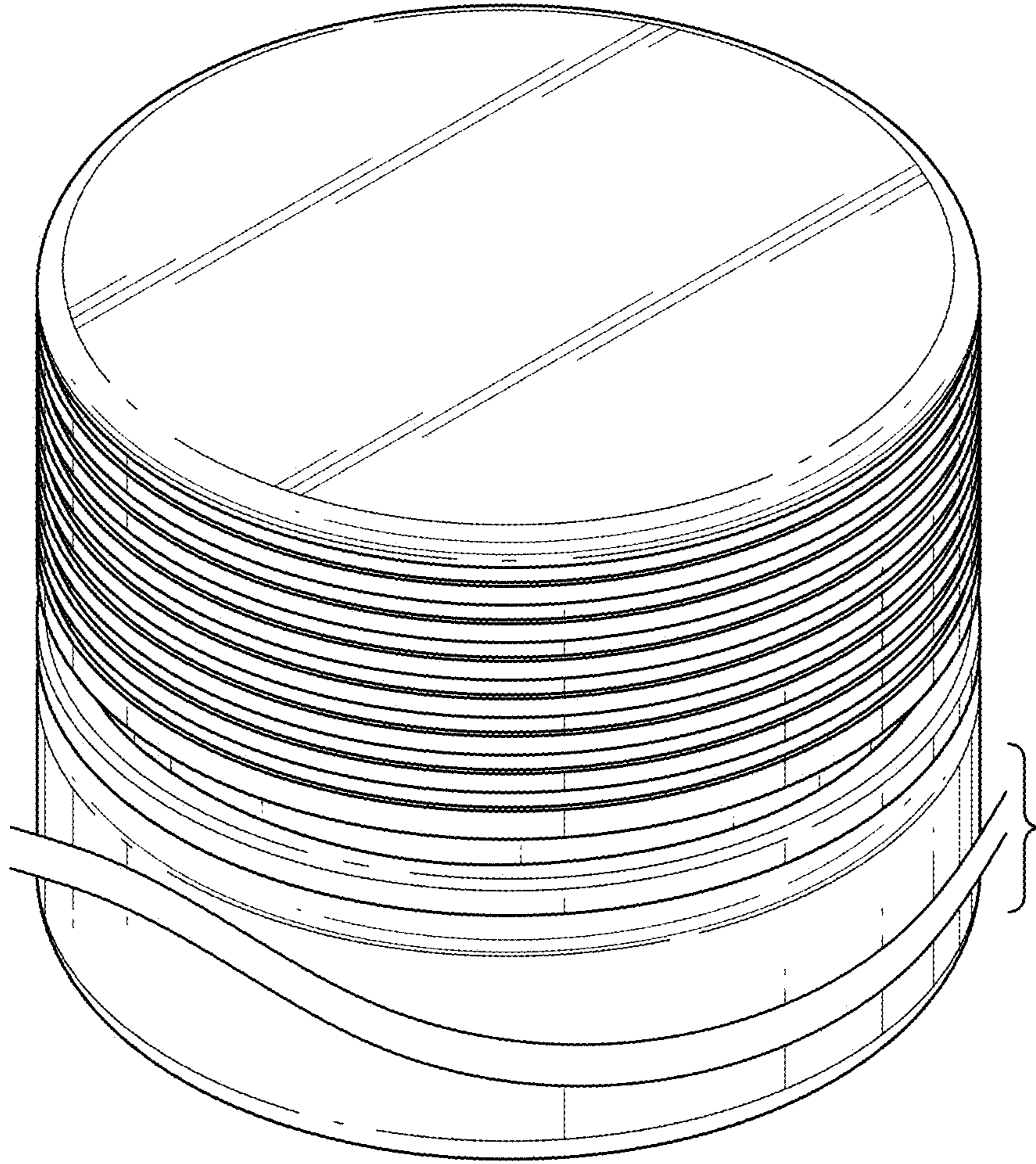


FIG. 10



*FIG. 11*

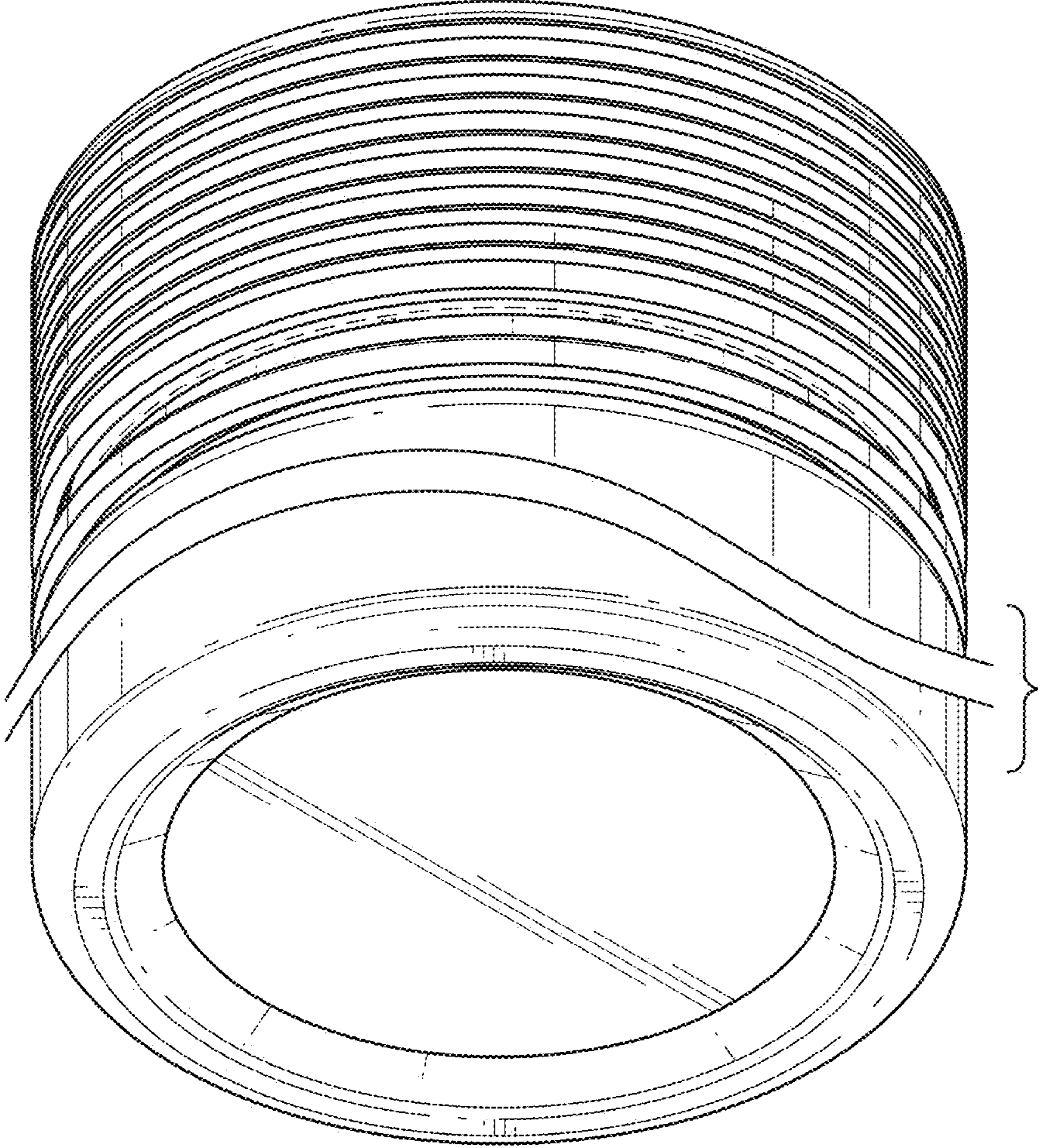


FIG. 12

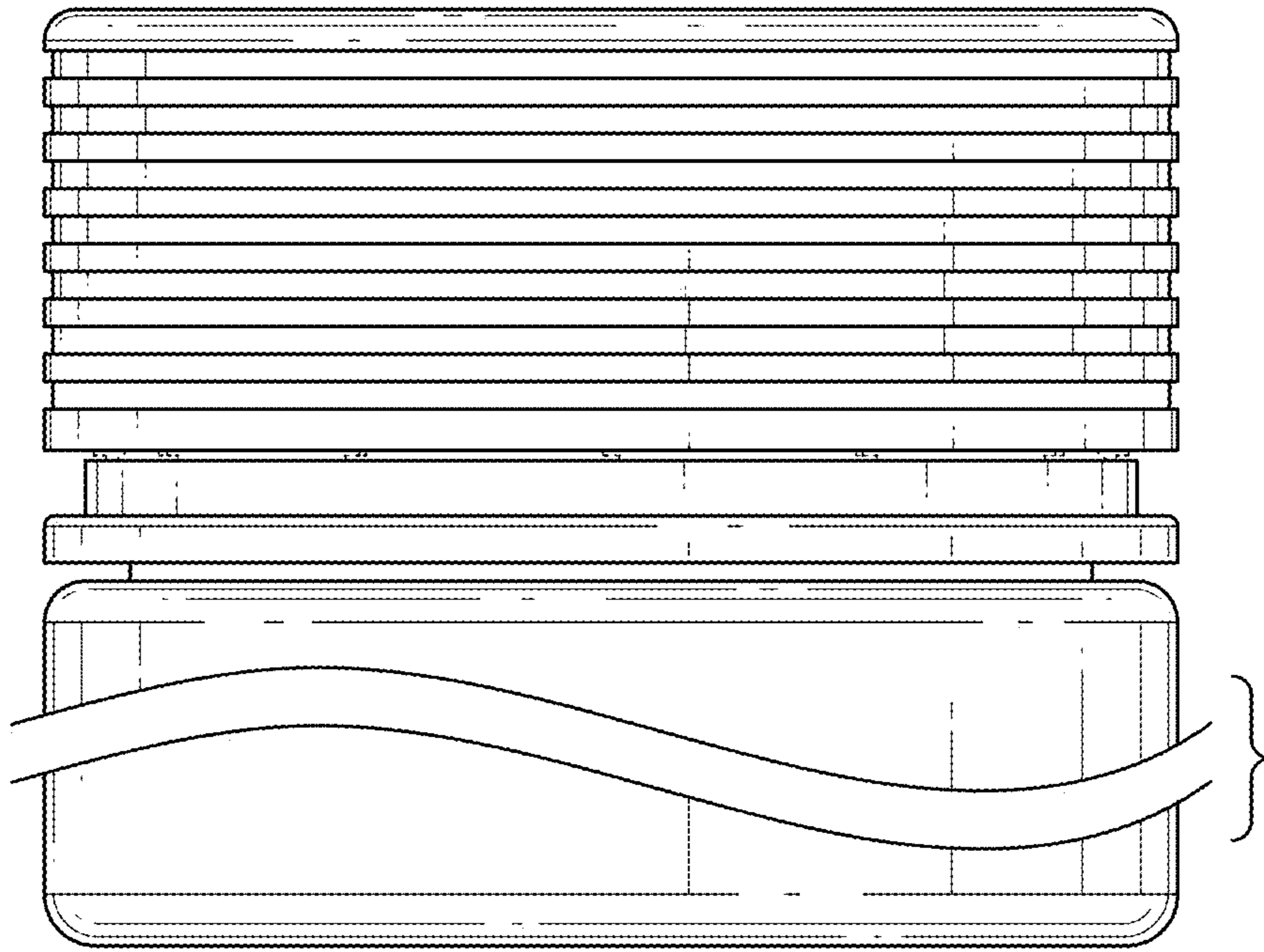


FIG. 13

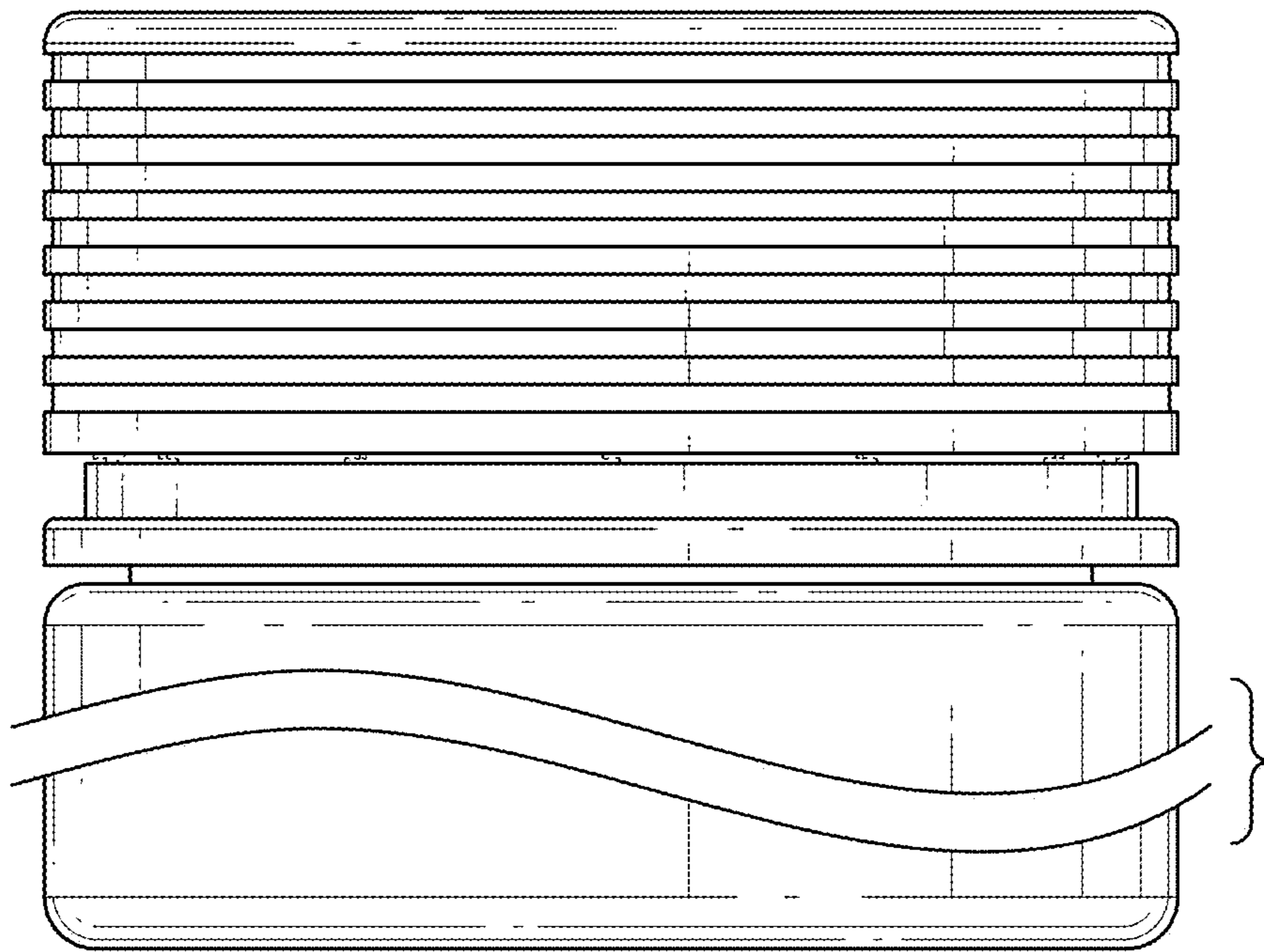


FIG. 14

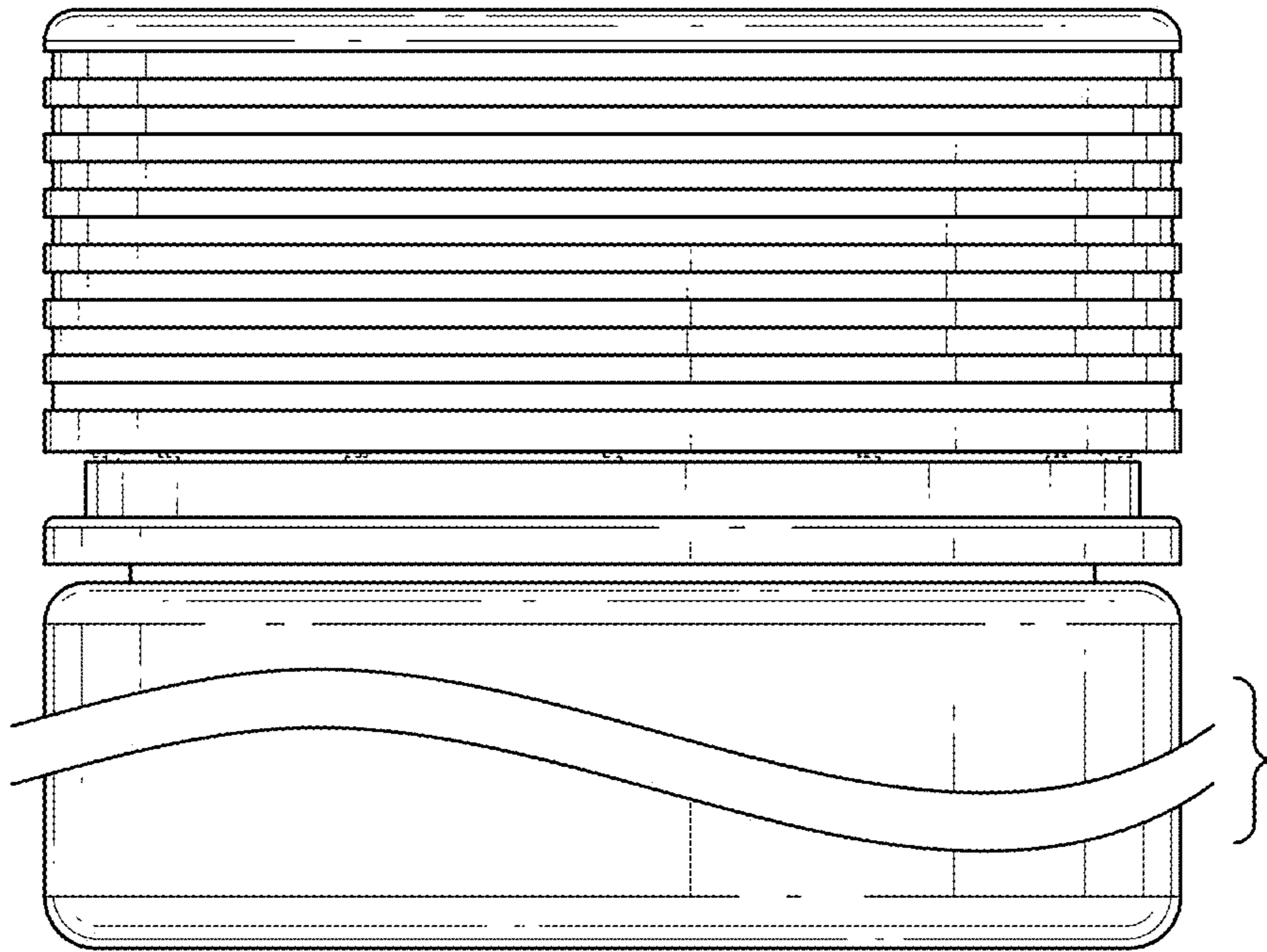


FIG. 15

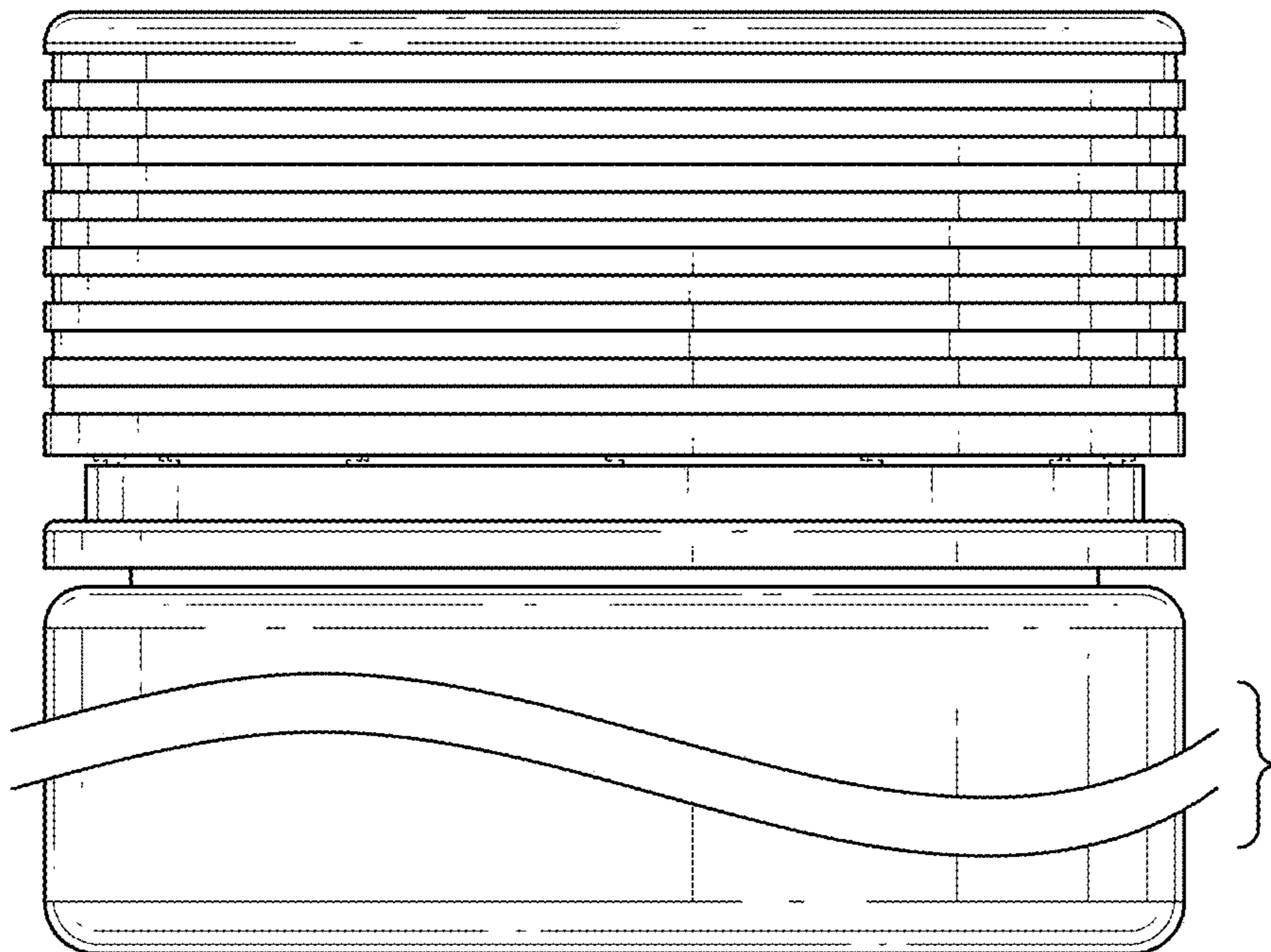
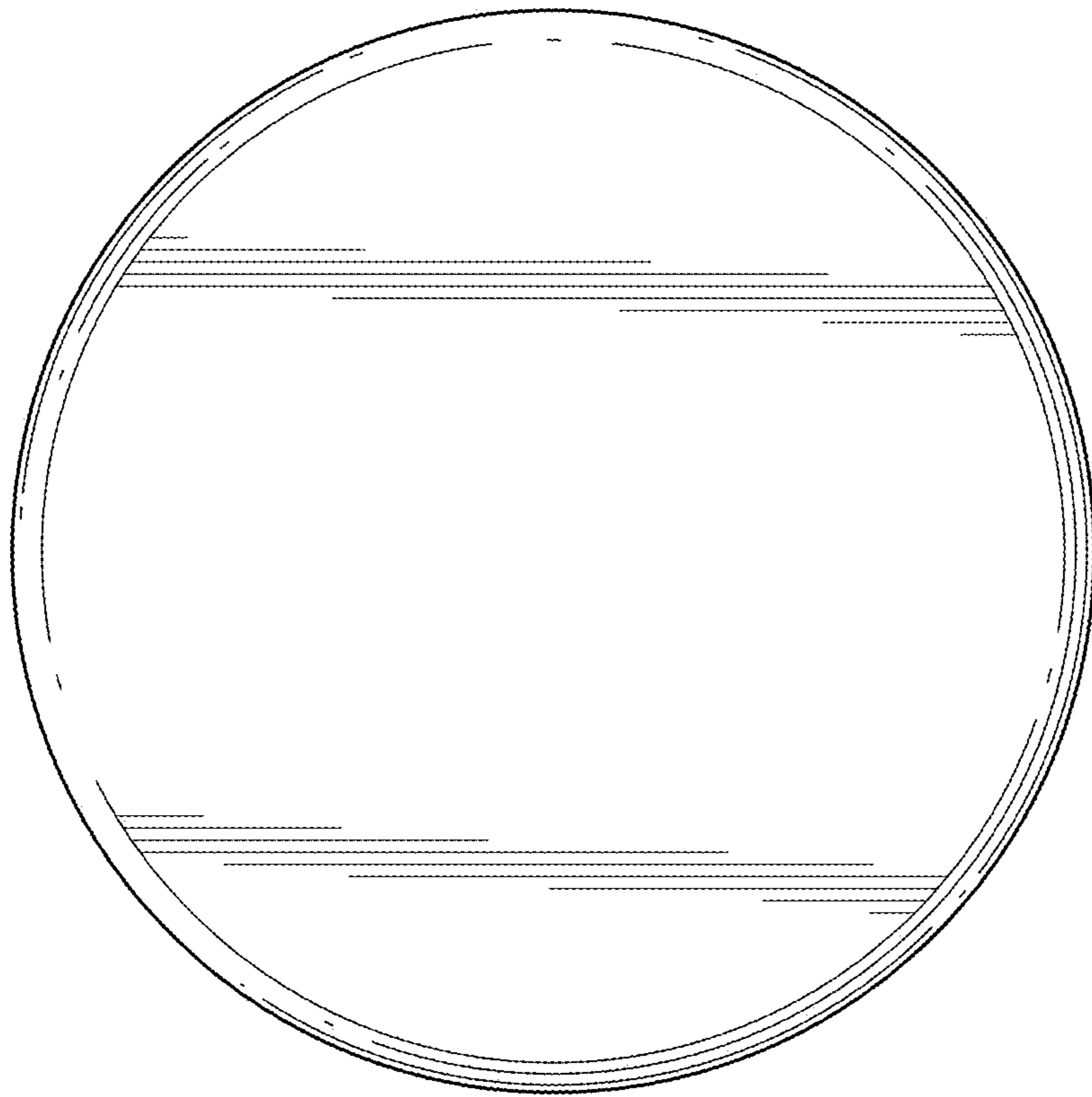
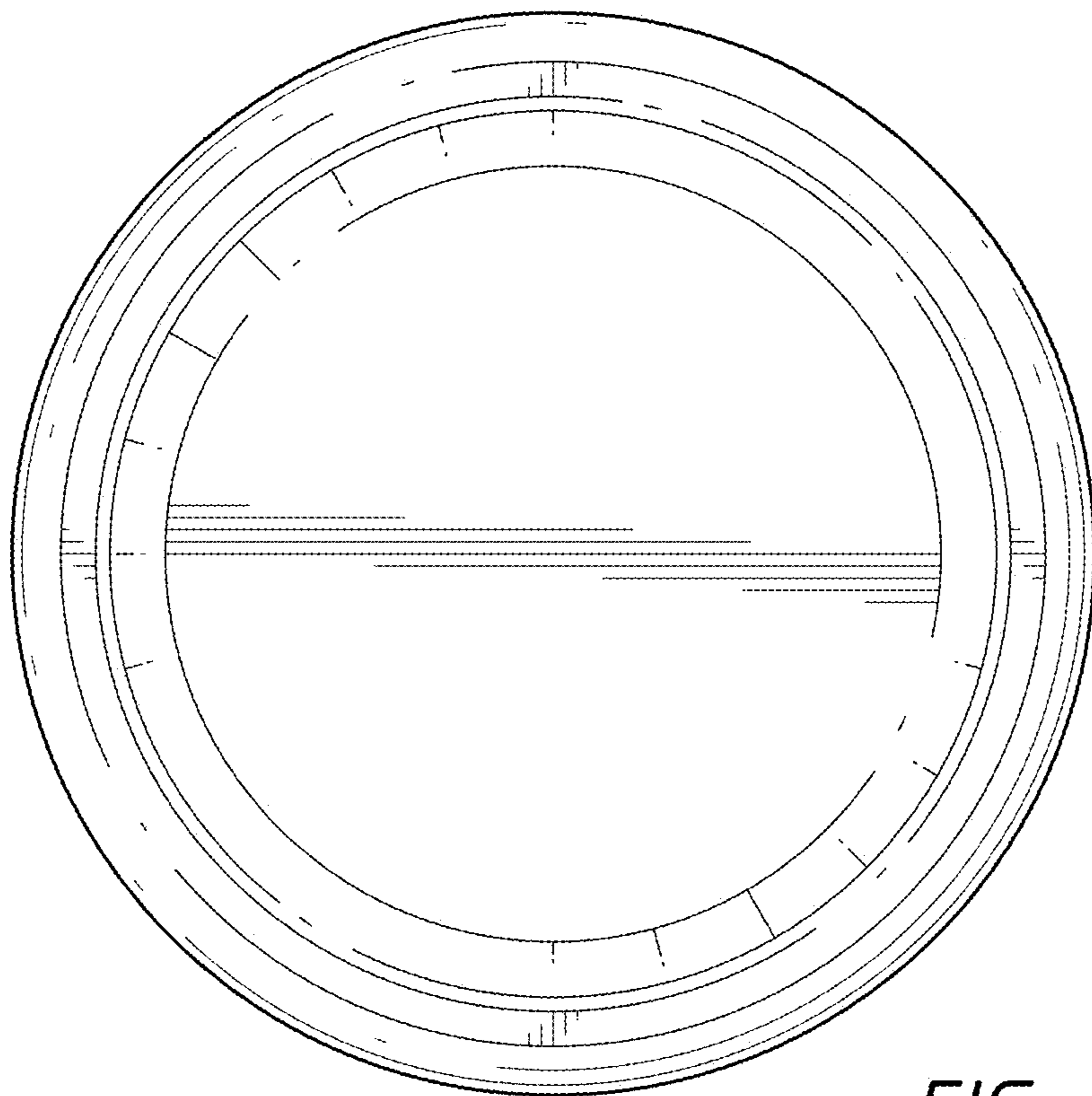


FIG. 16



*FIG. 17*



*FIG. 18*

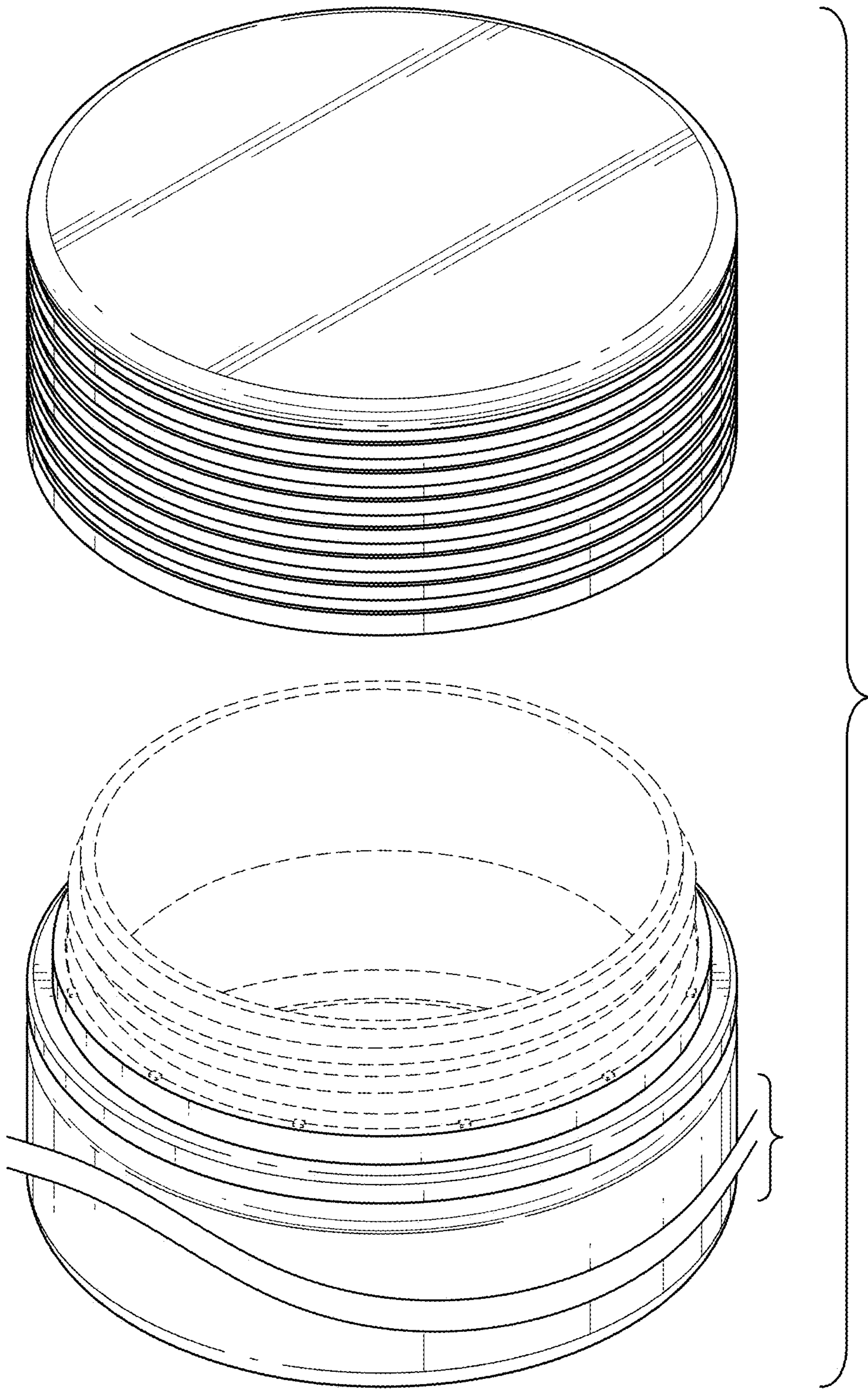


FIG. 19

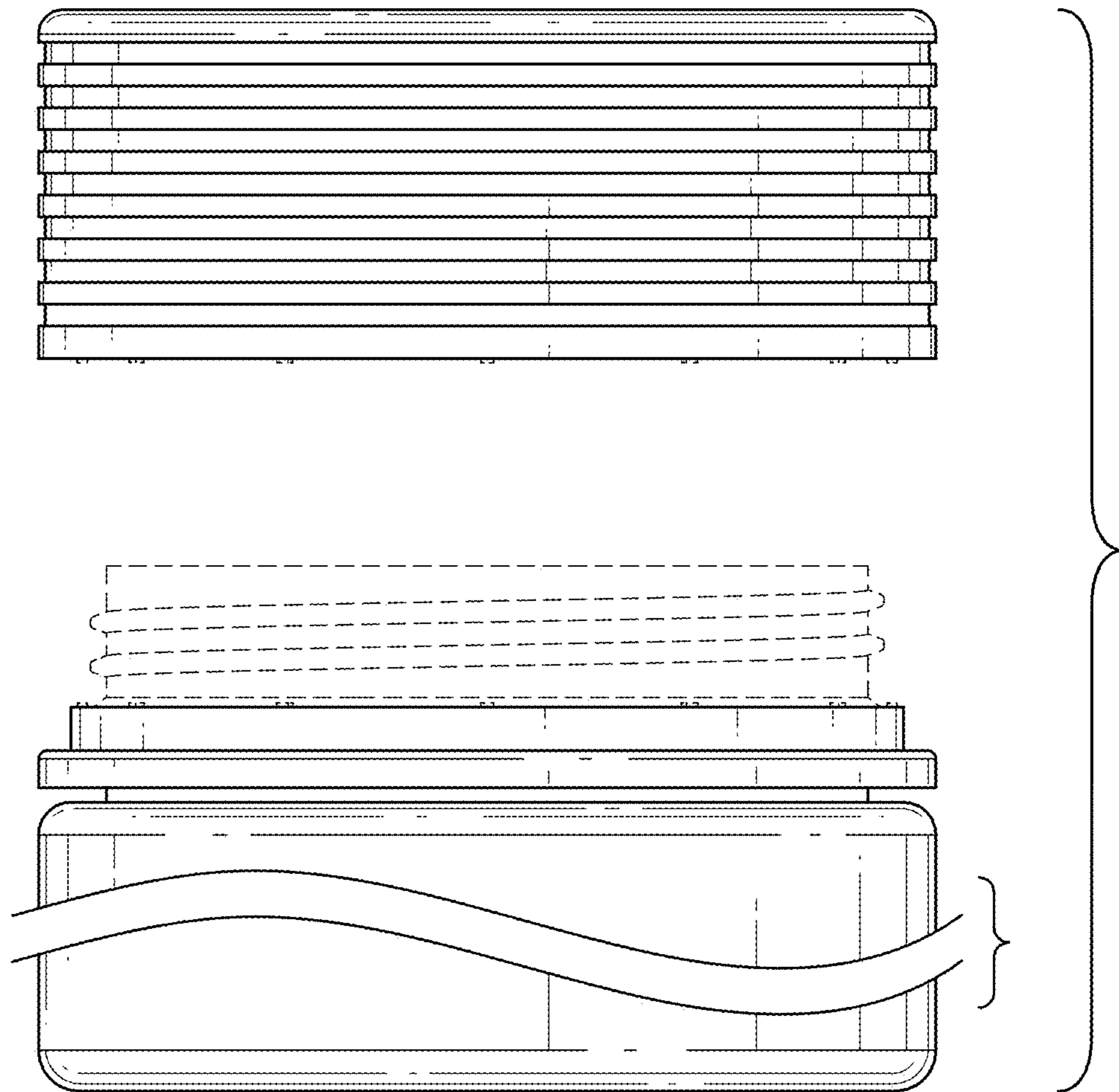
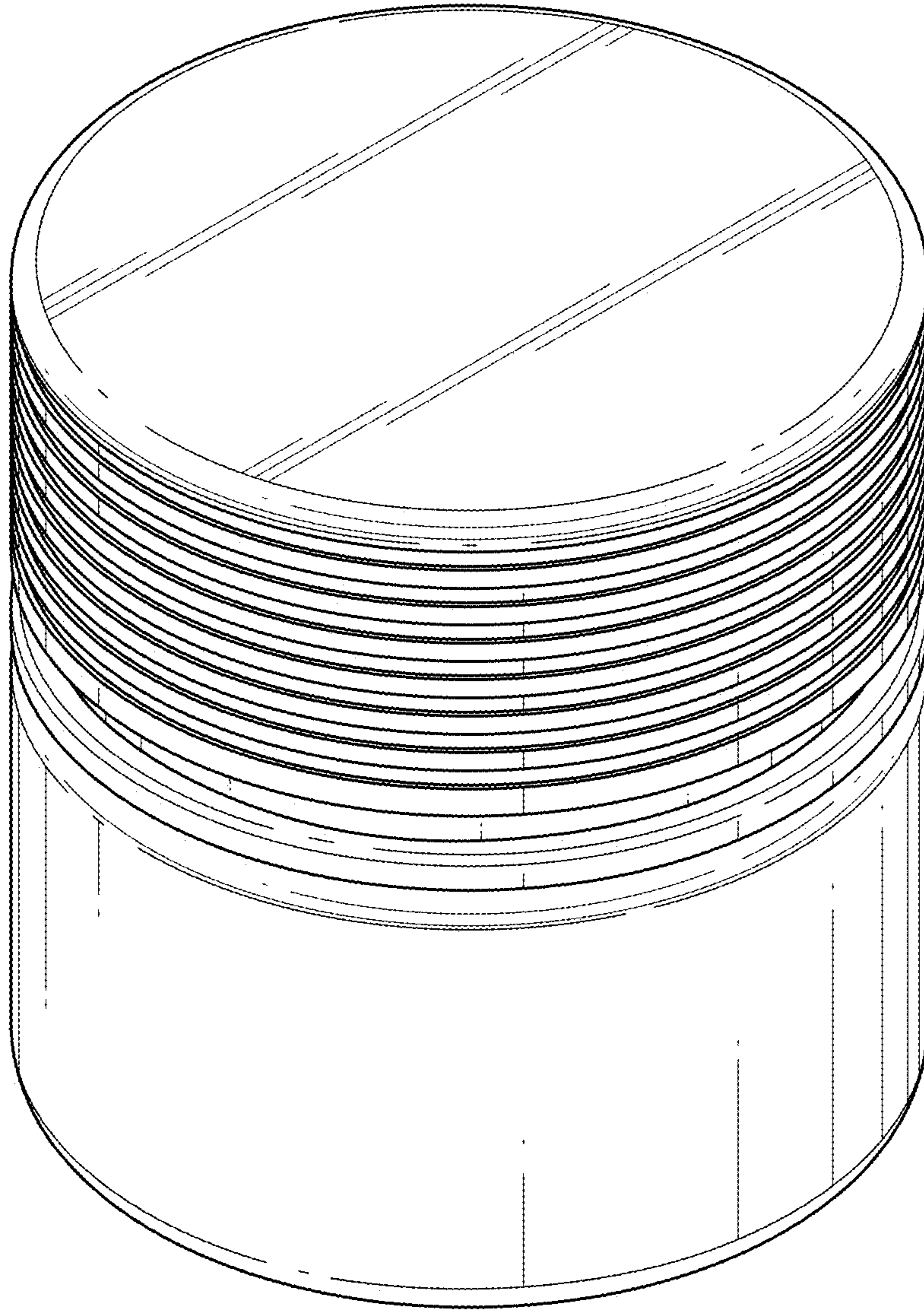


FIG. 20





*FIG. 21*

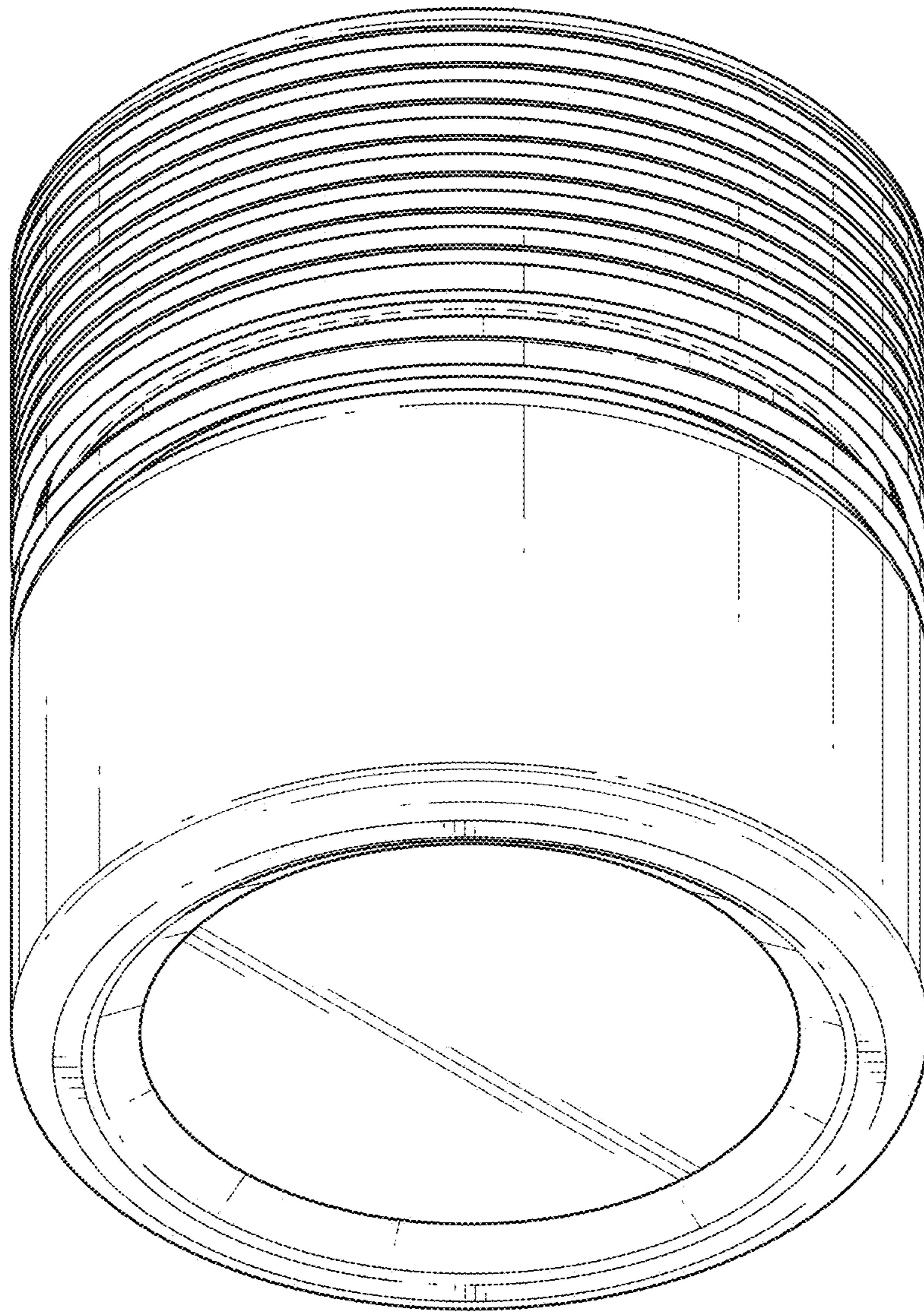
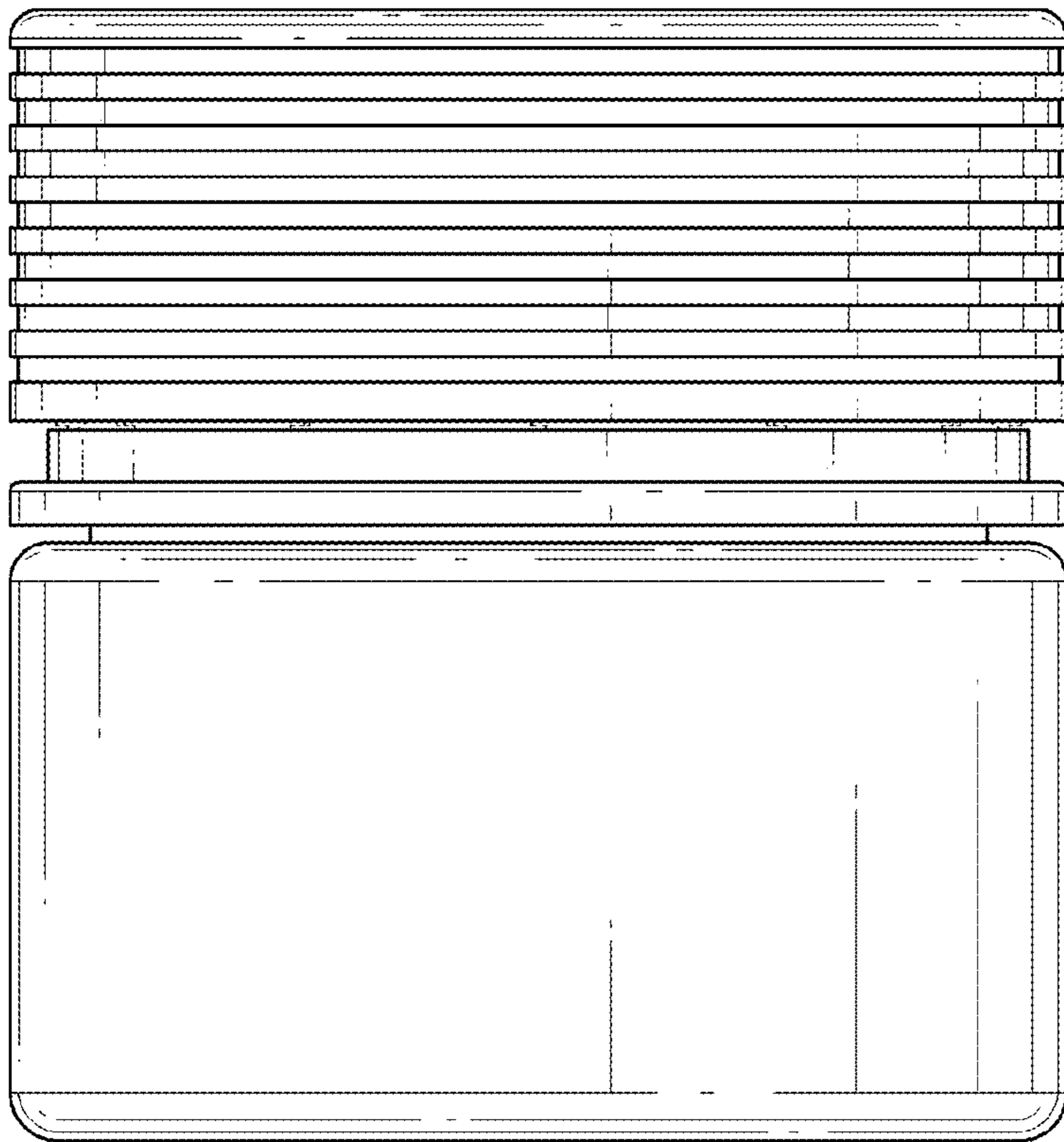
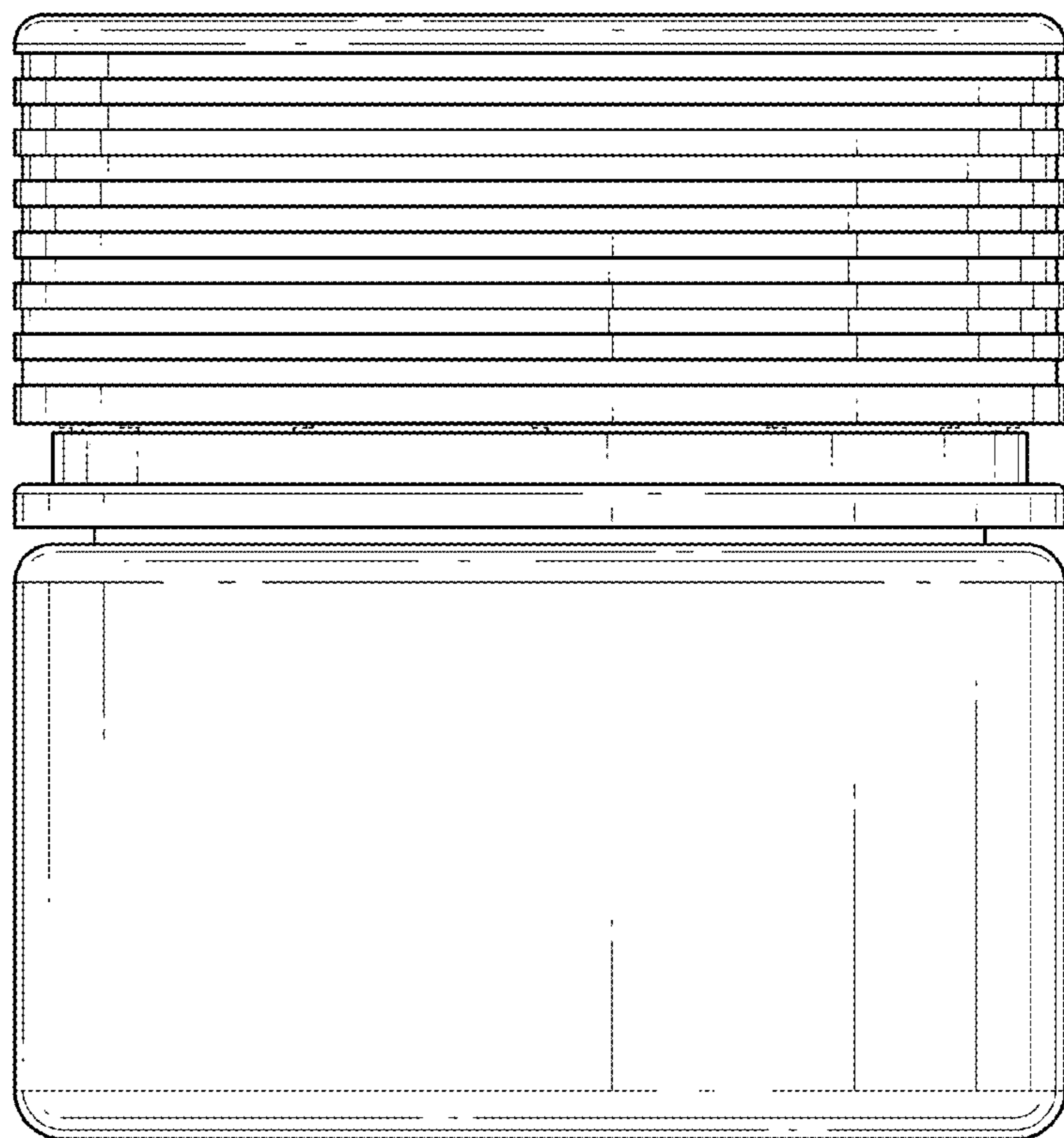


FIG. 22



*FIG. 23*



*FIG. 24*

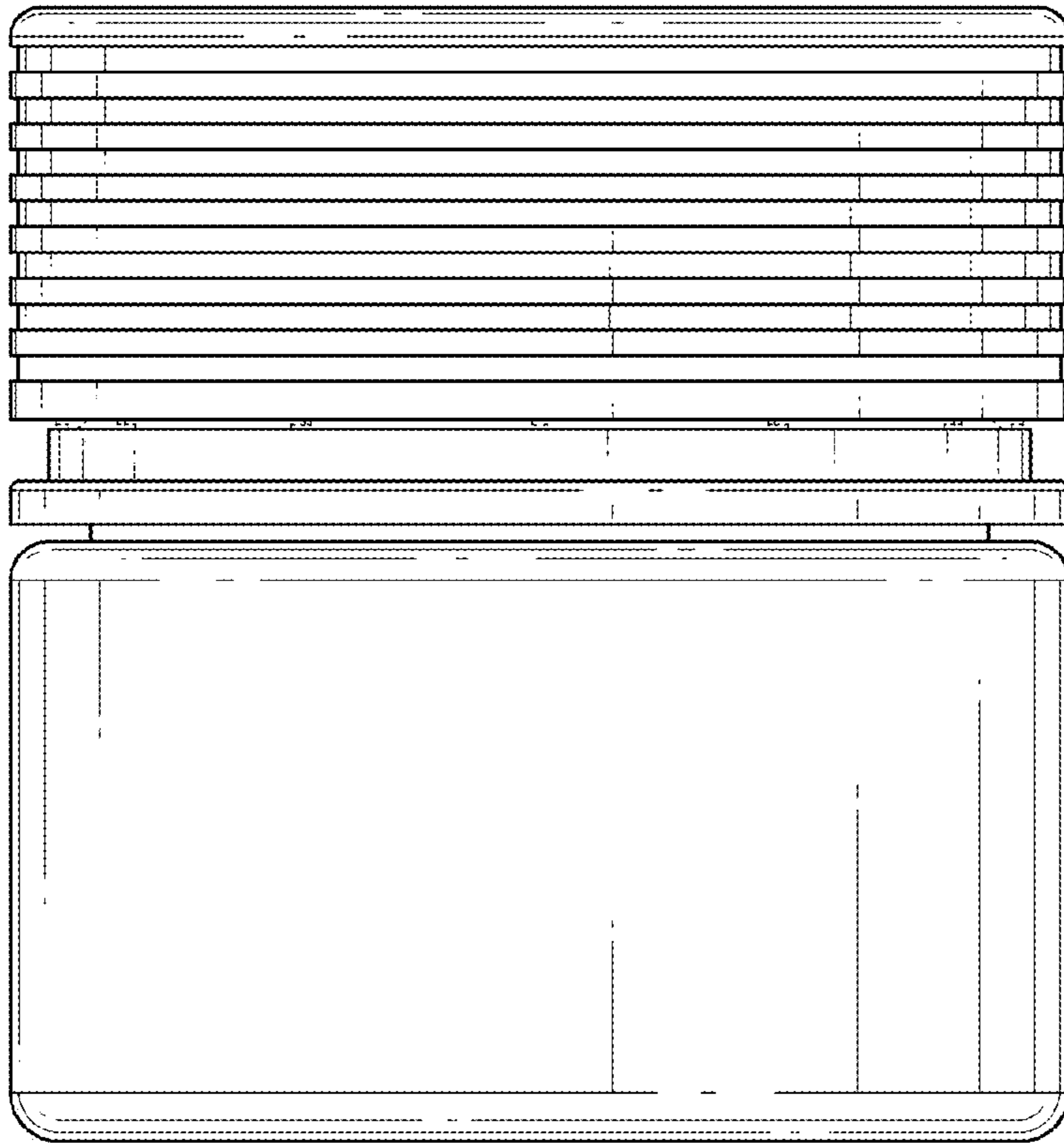


FIG. 25

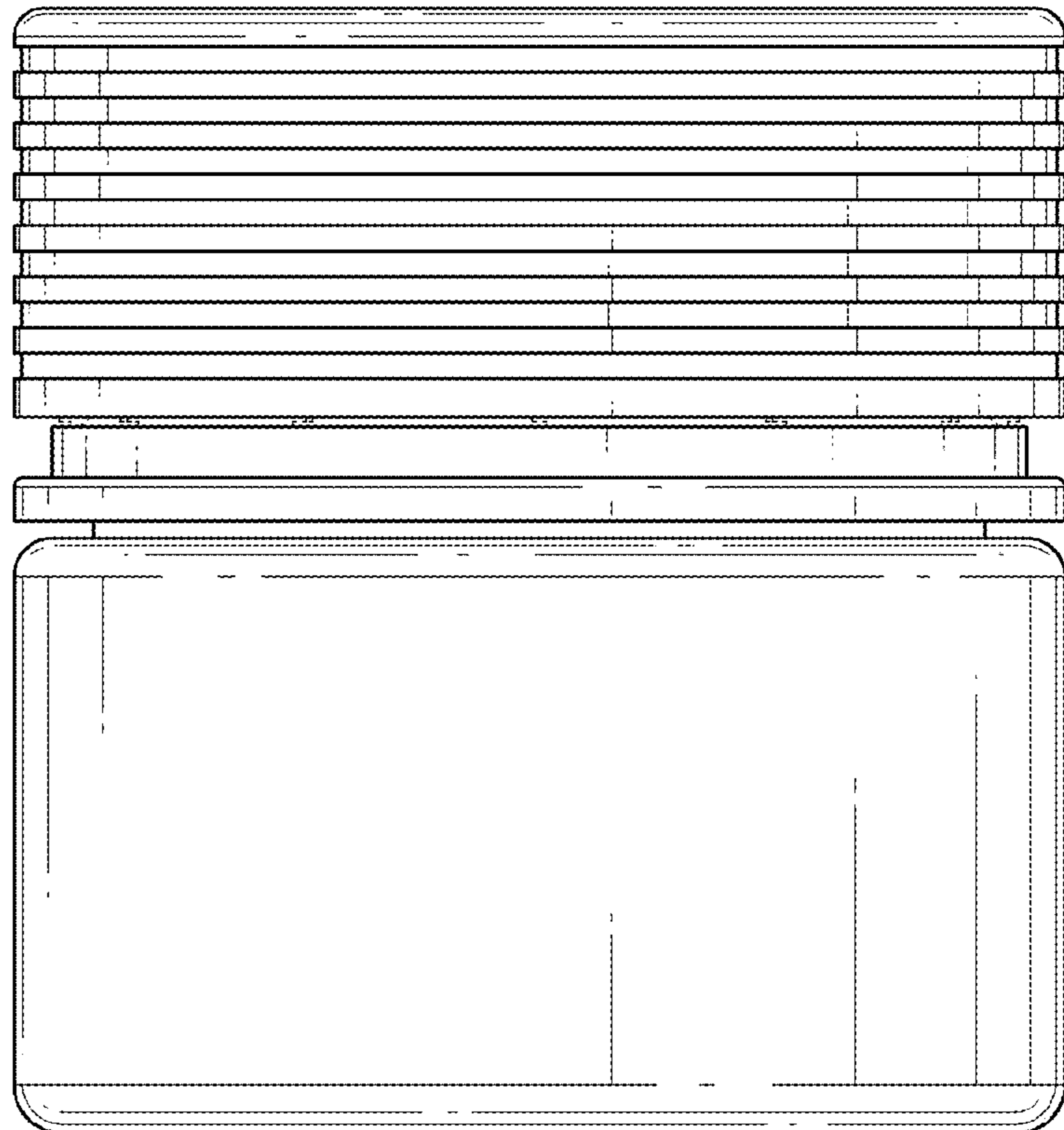
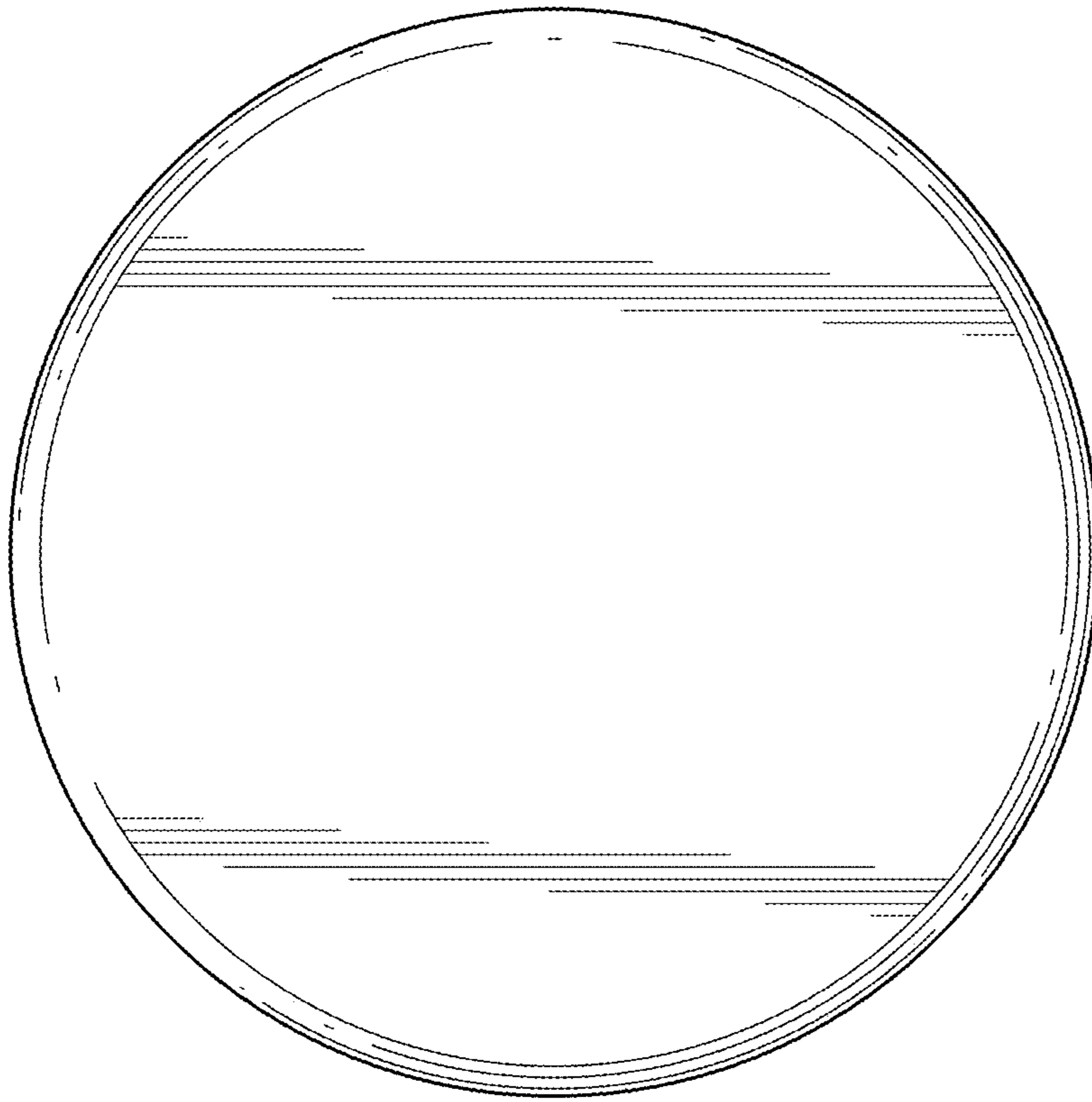
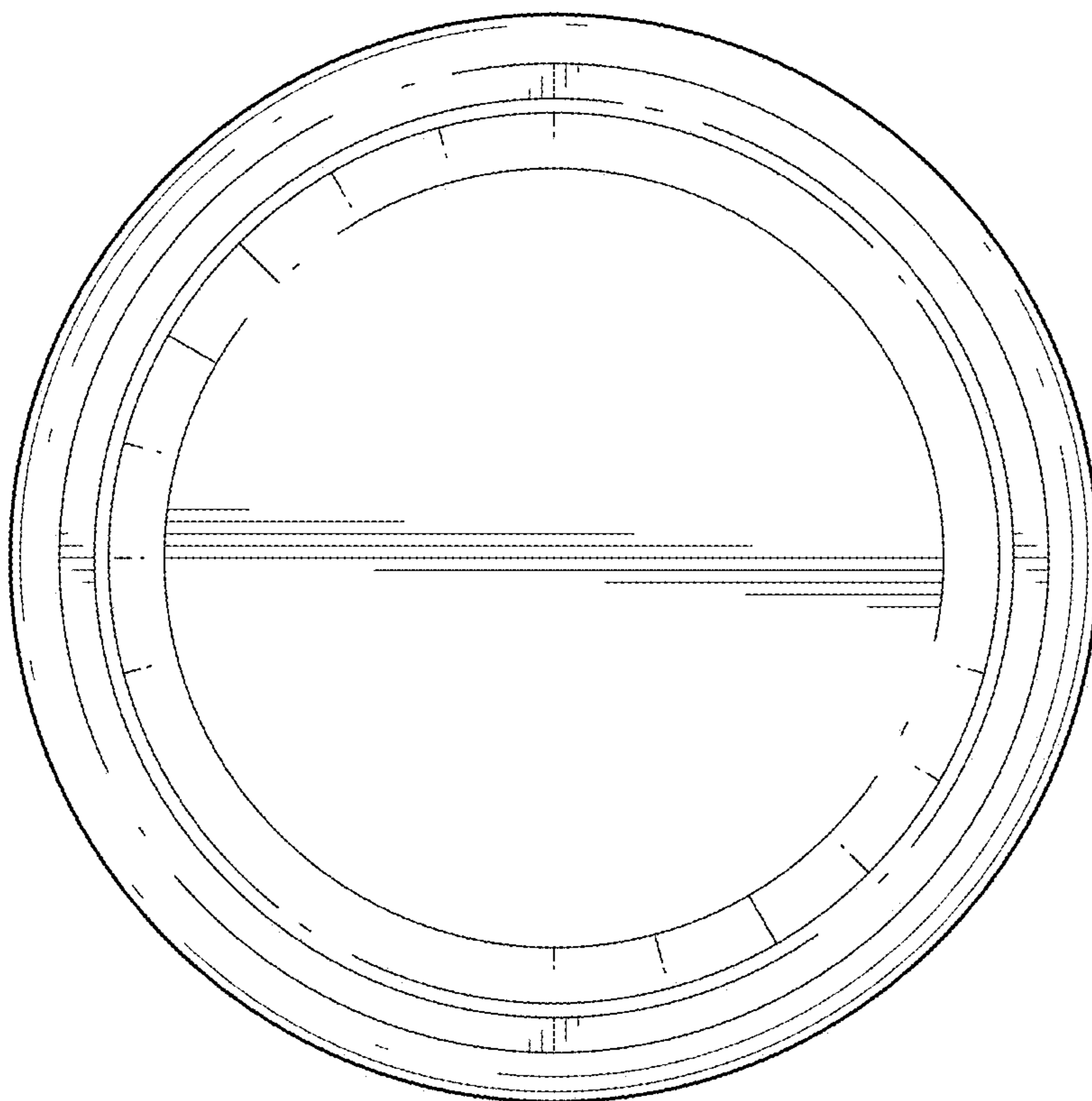


FIG. 26



*FIG. 27*



*FIG. 28*

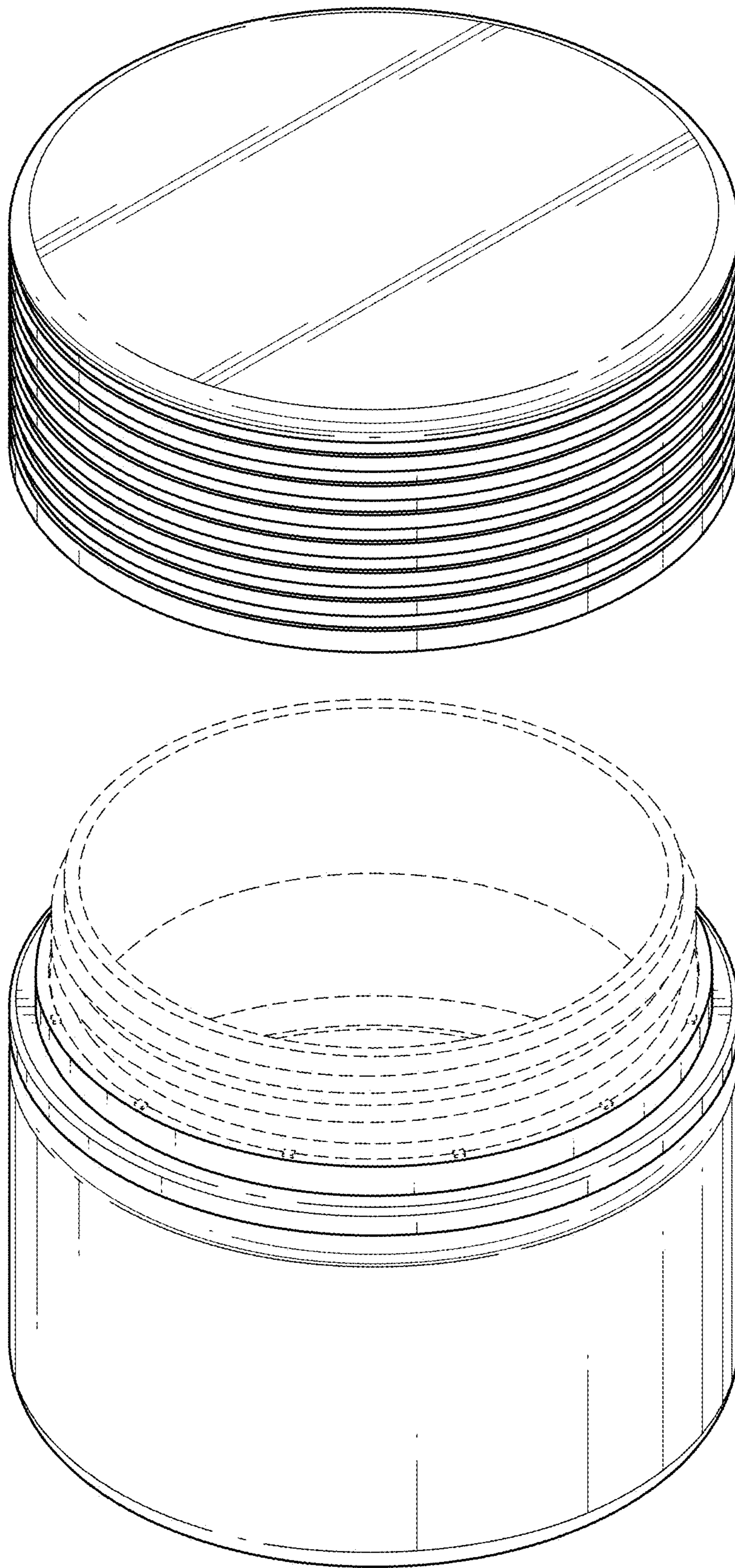
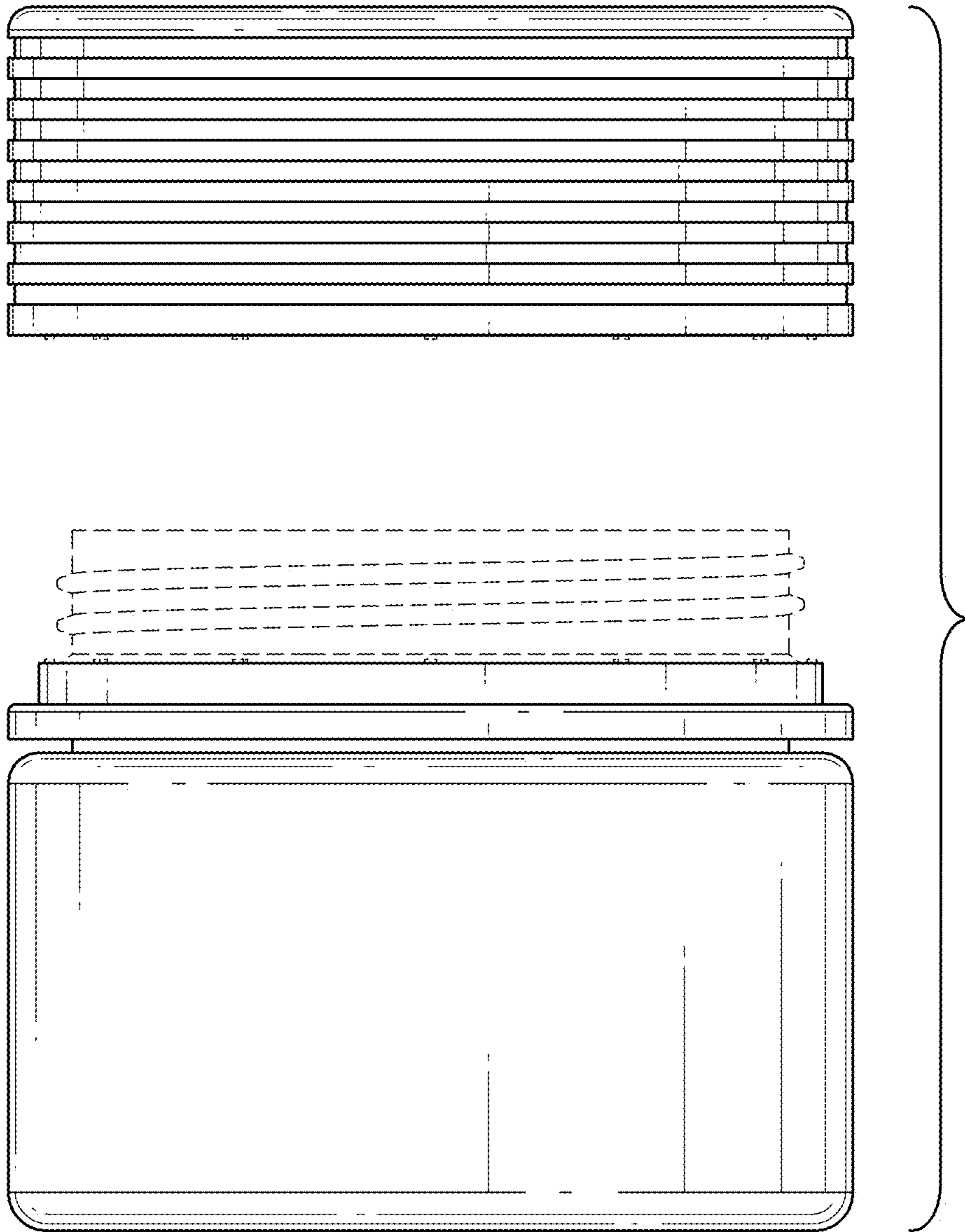
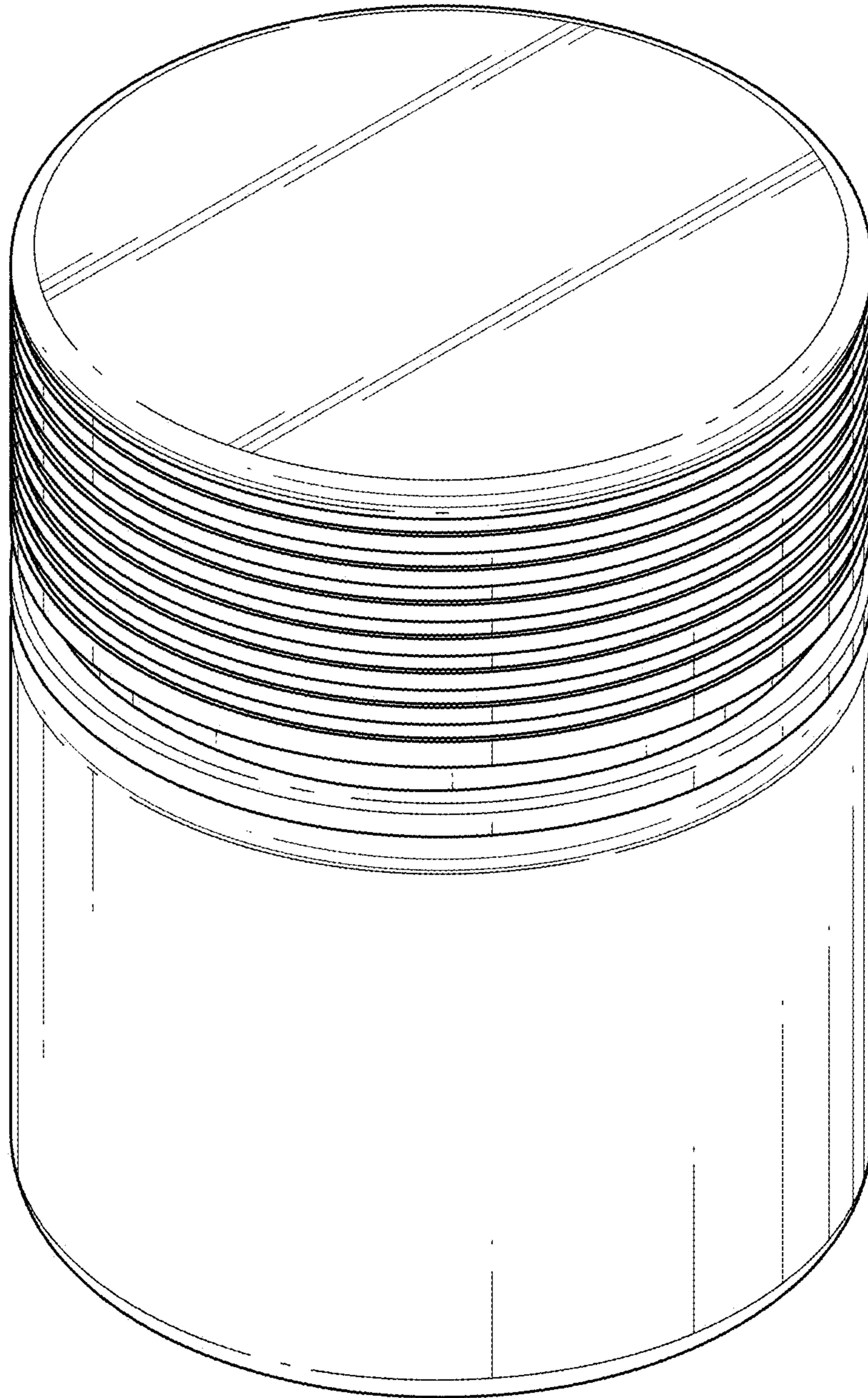


FIG. 29



*FIG. 30*



*FIG. 31*



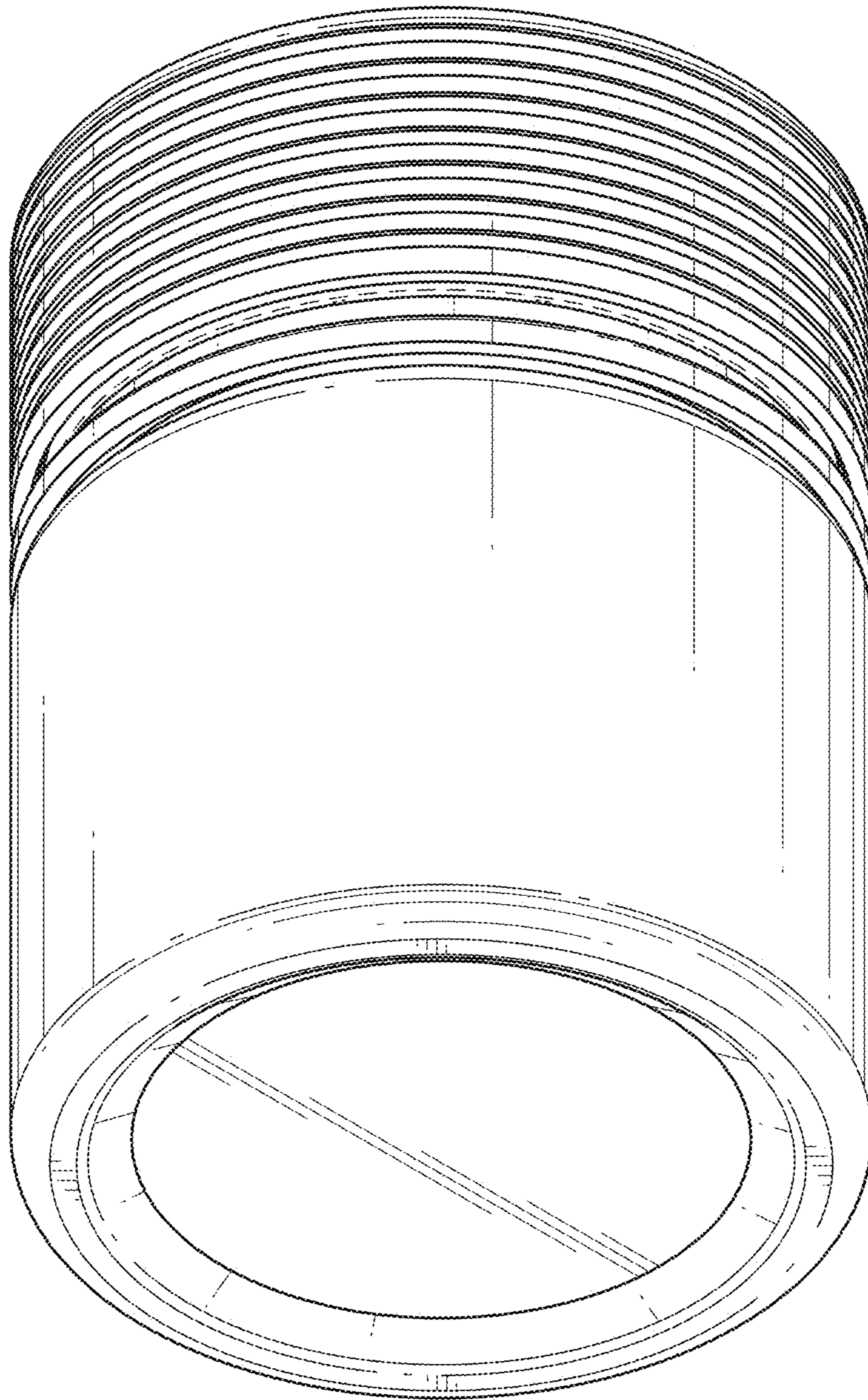
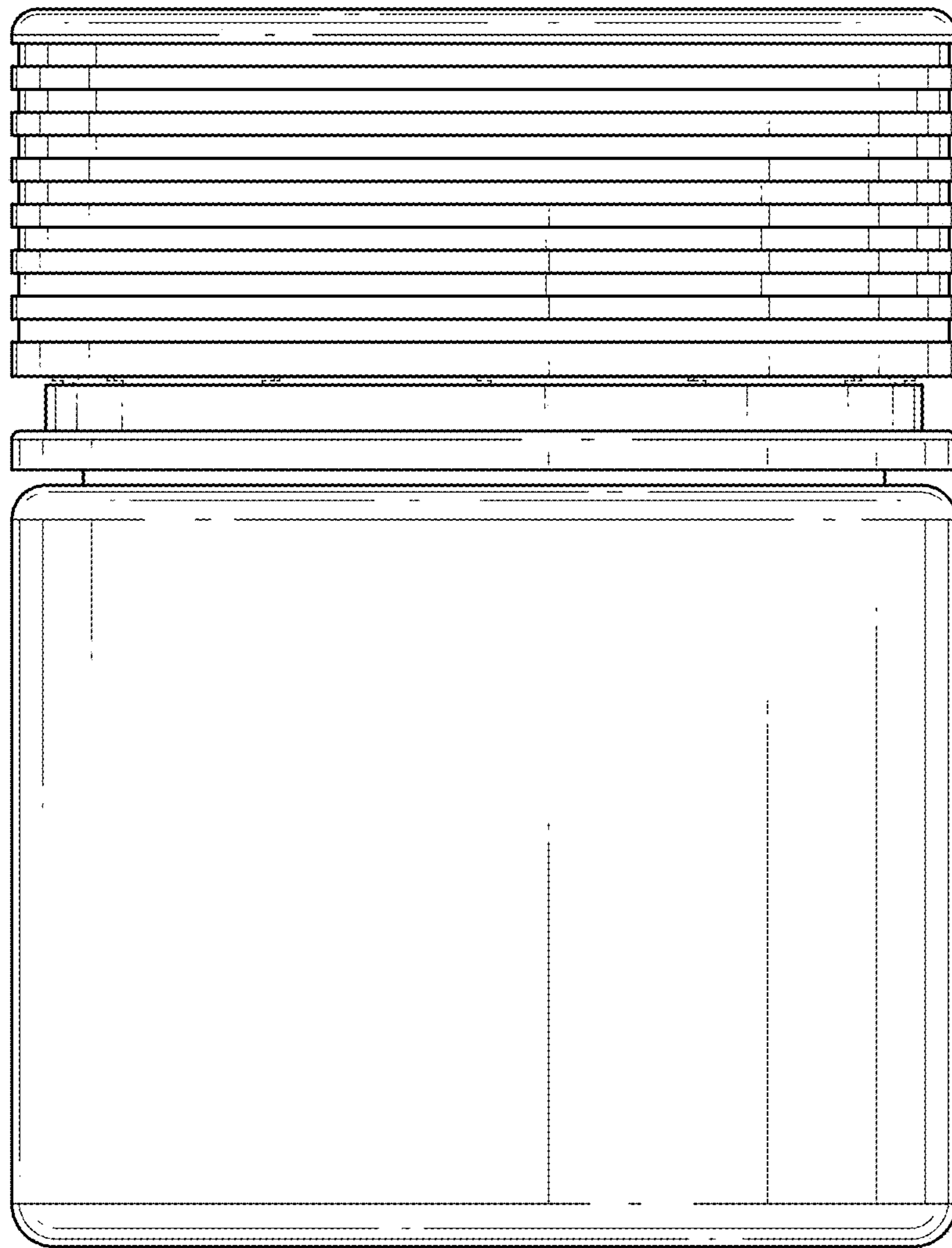
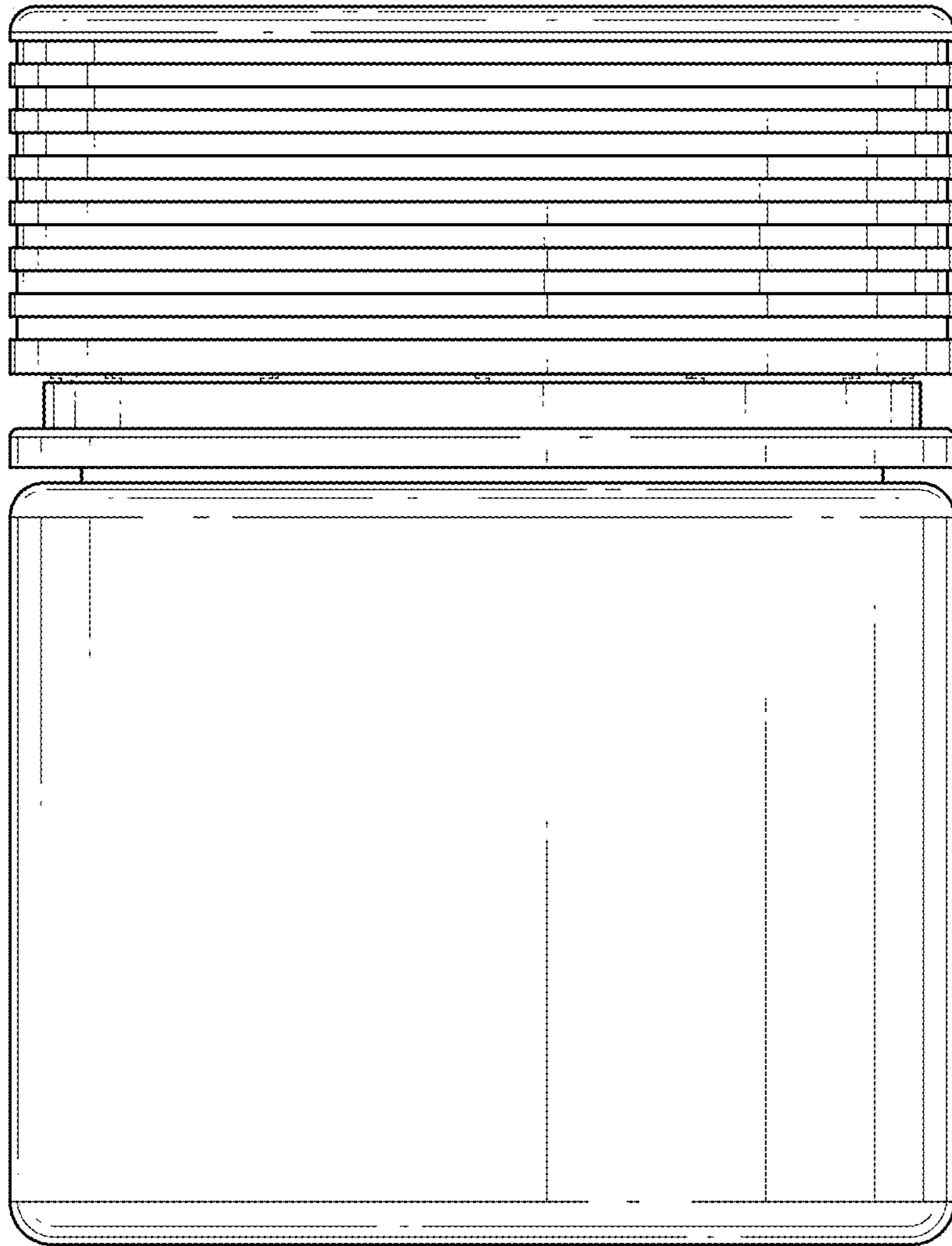


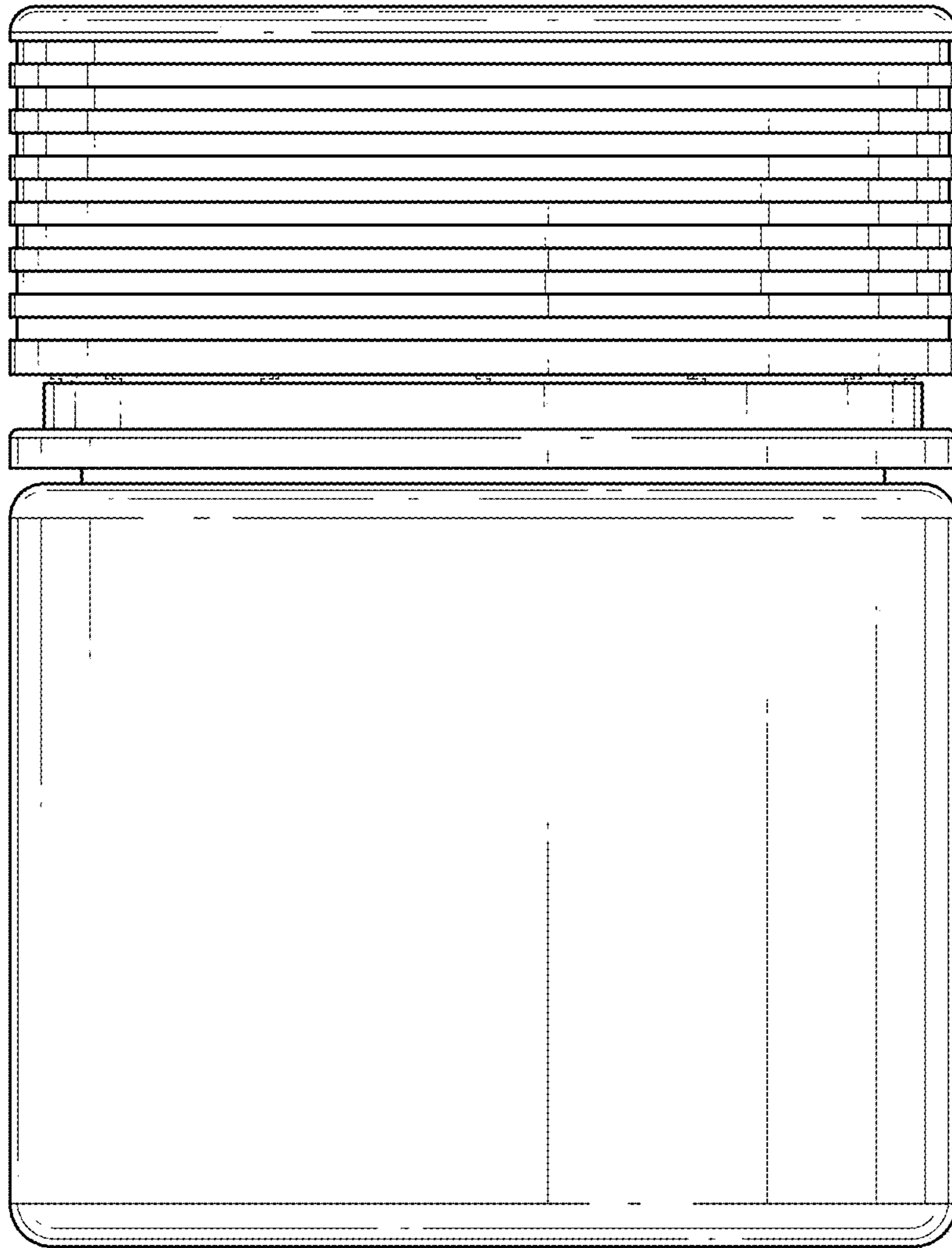
FIG. 32



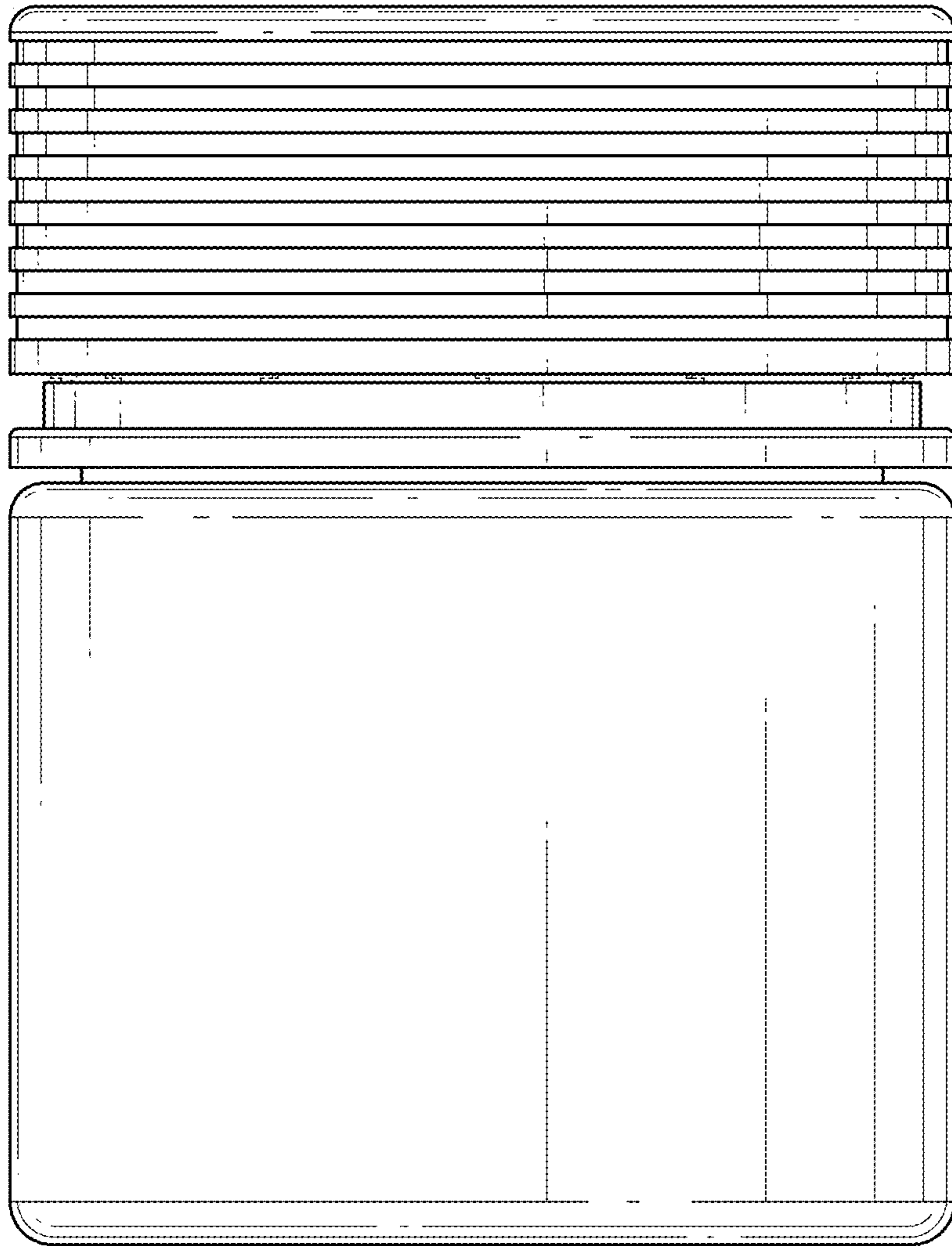
*FIG. 33*



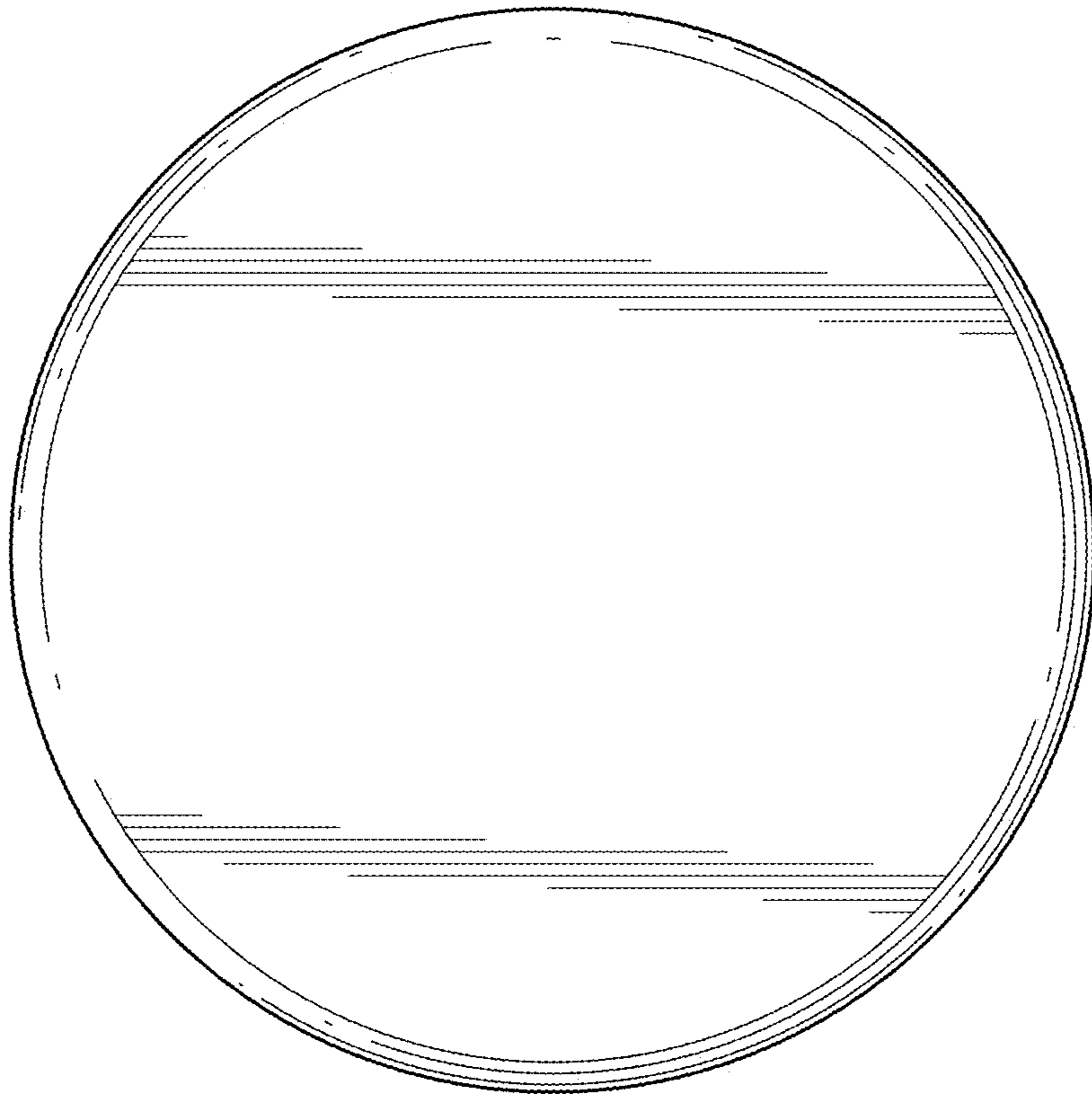
*FIG. 34*



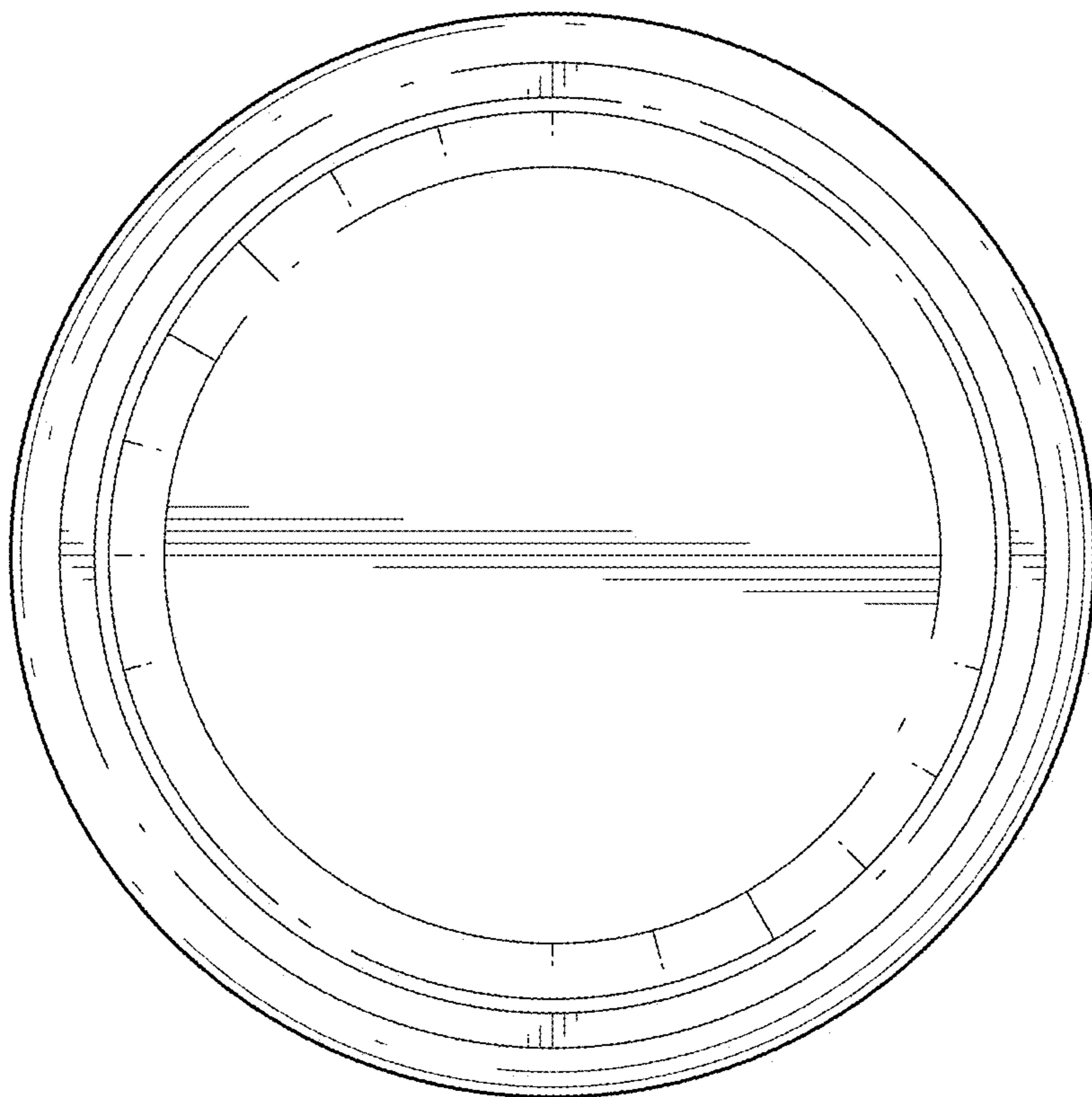
*FIG. 35*



*FIG. 36*



*FIG. 37*



*FIG. 38*

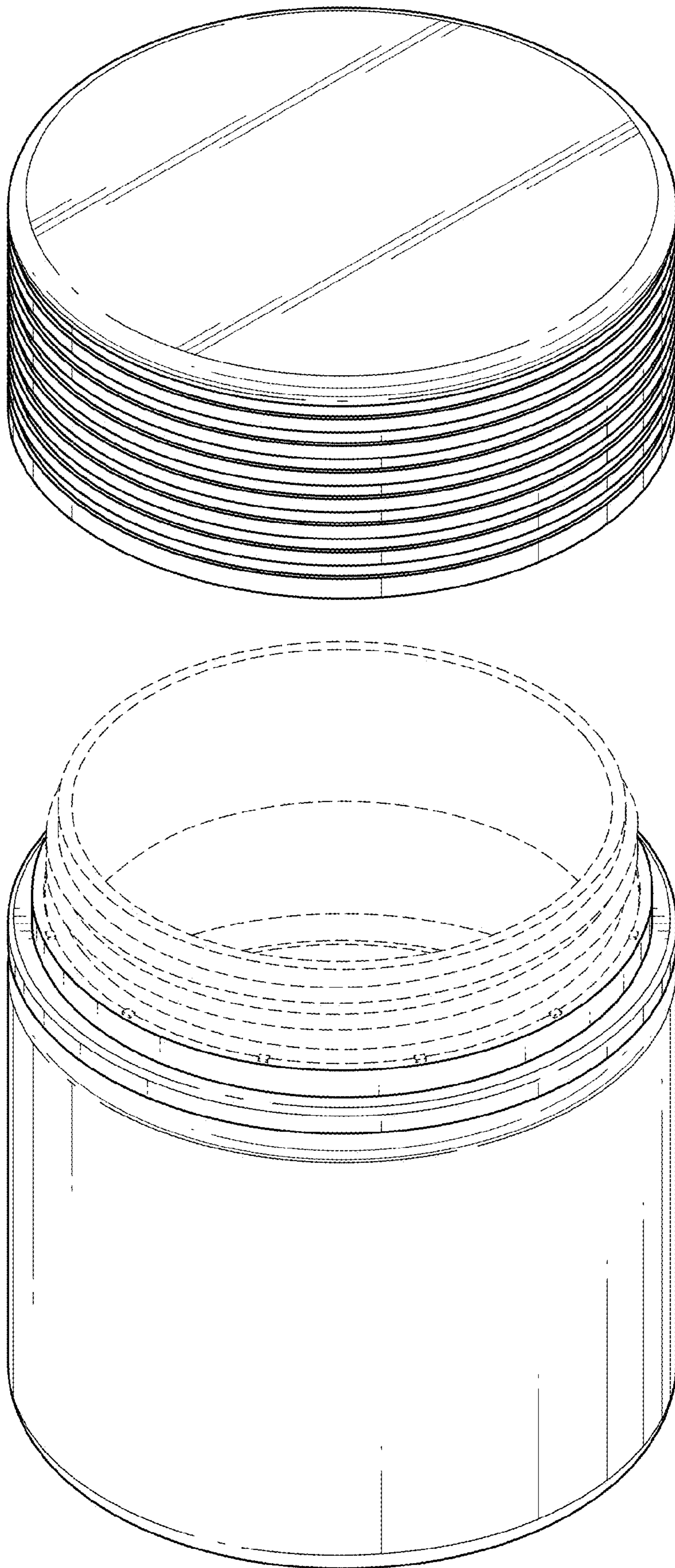


FIG. 39

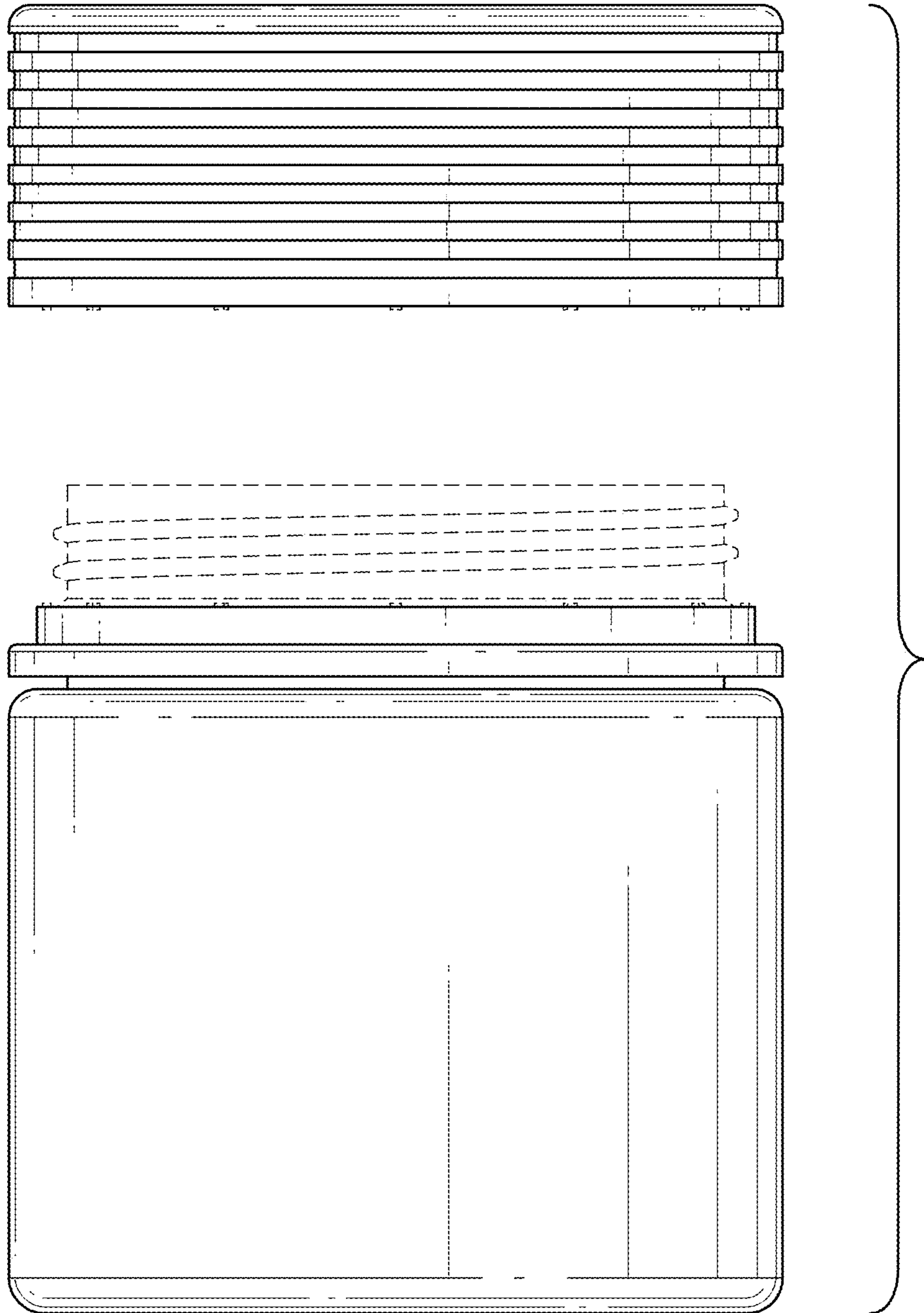
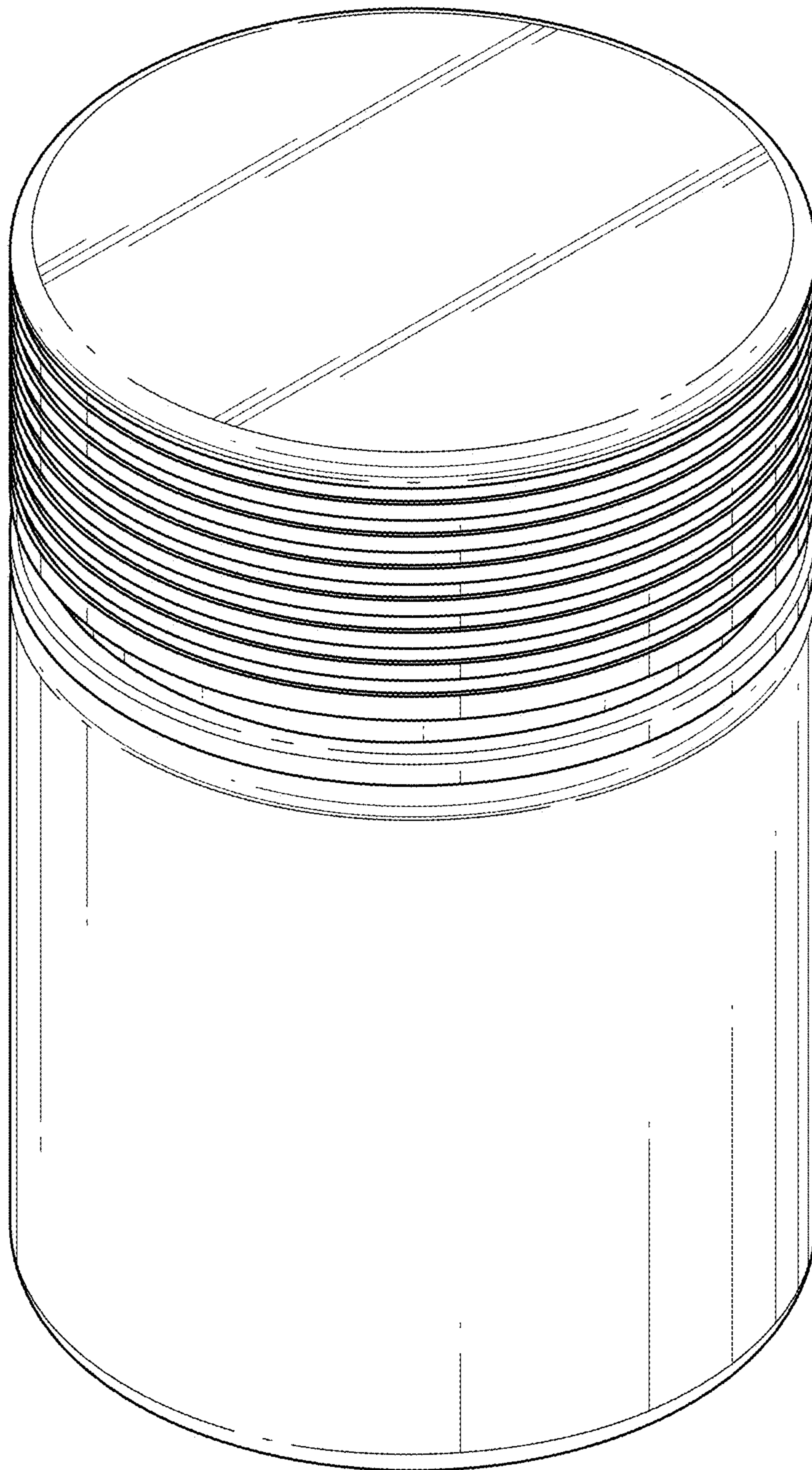


FIG. 40





*FIG. 41*

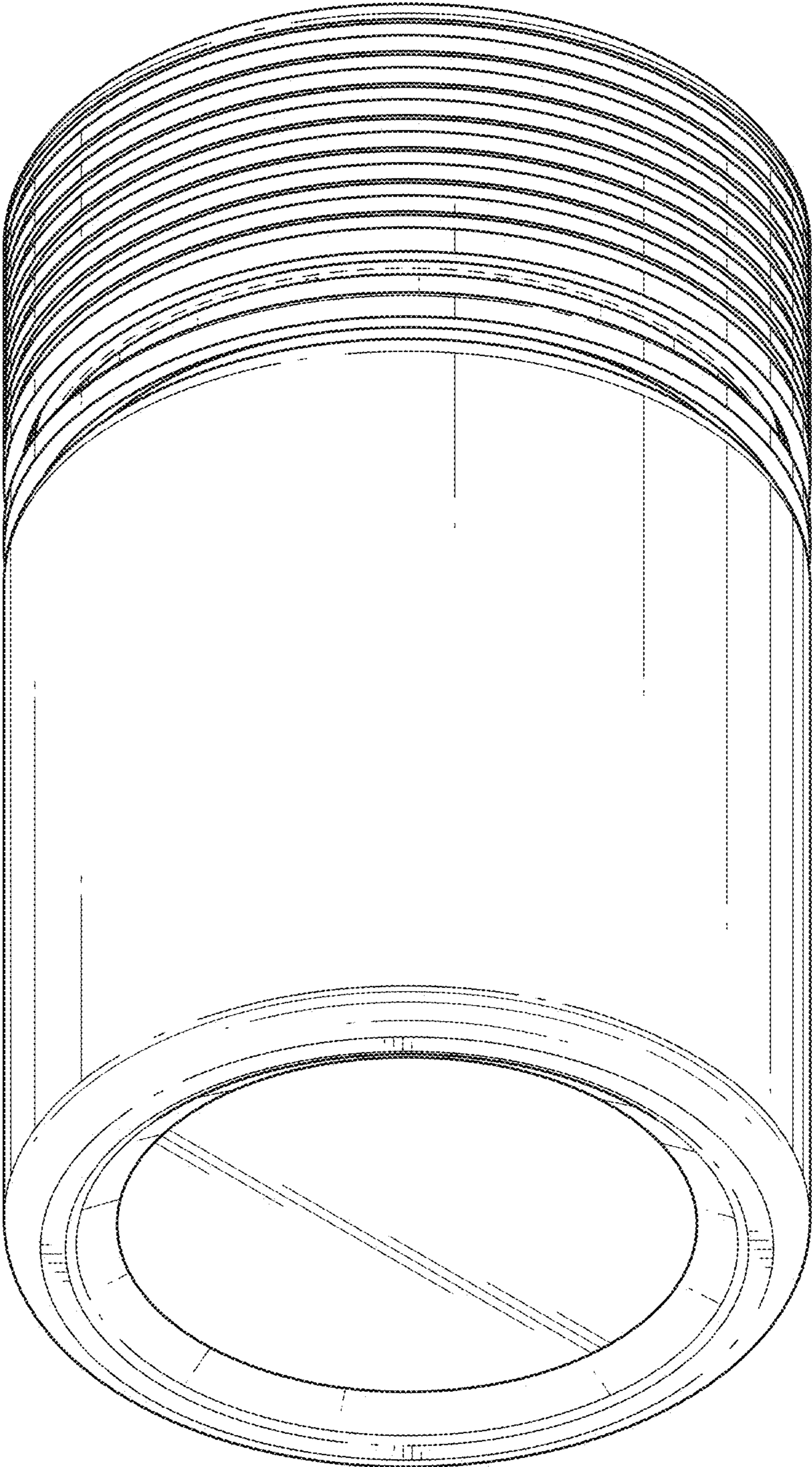


FIG. 42

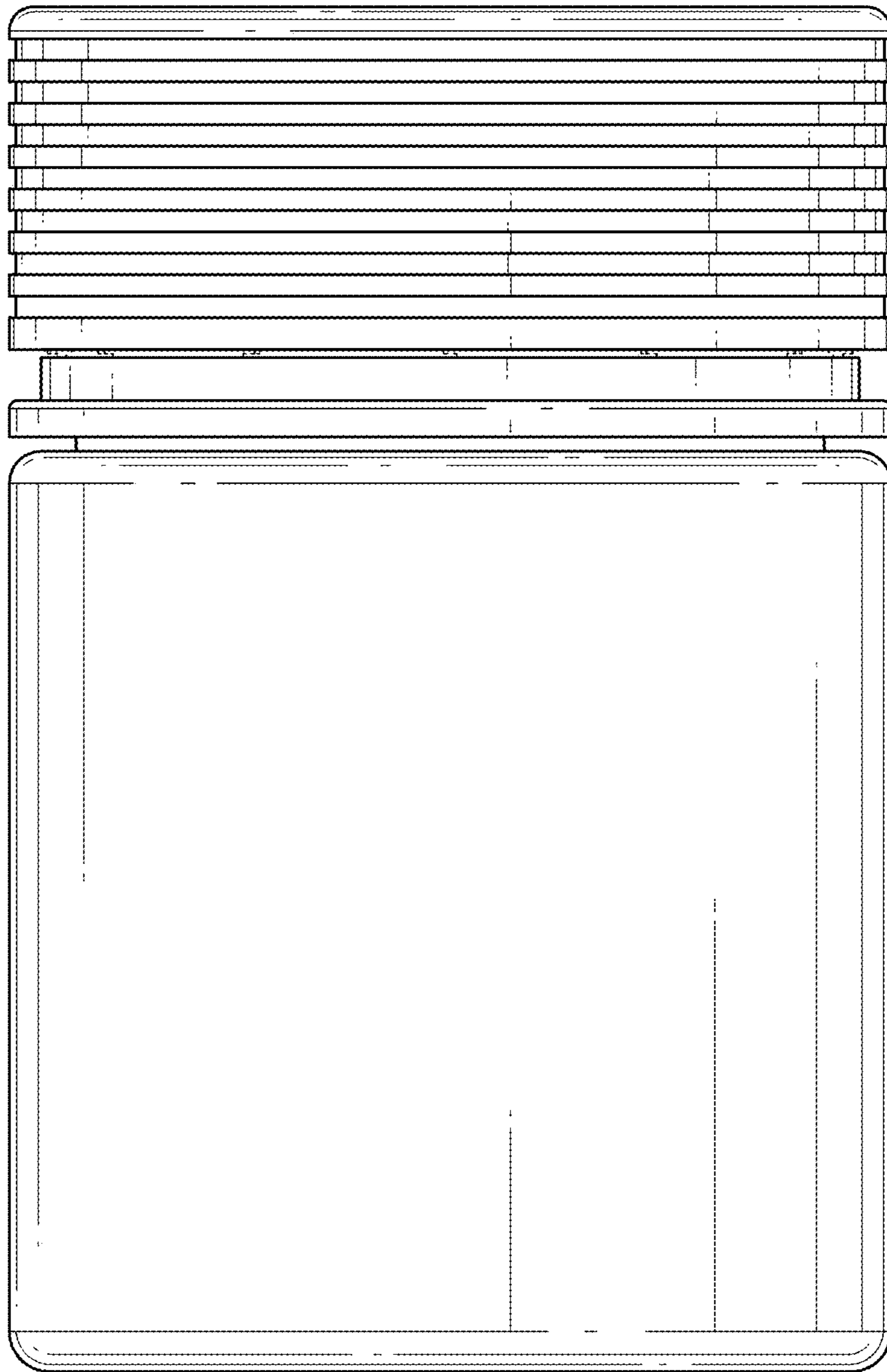


FIG. 43

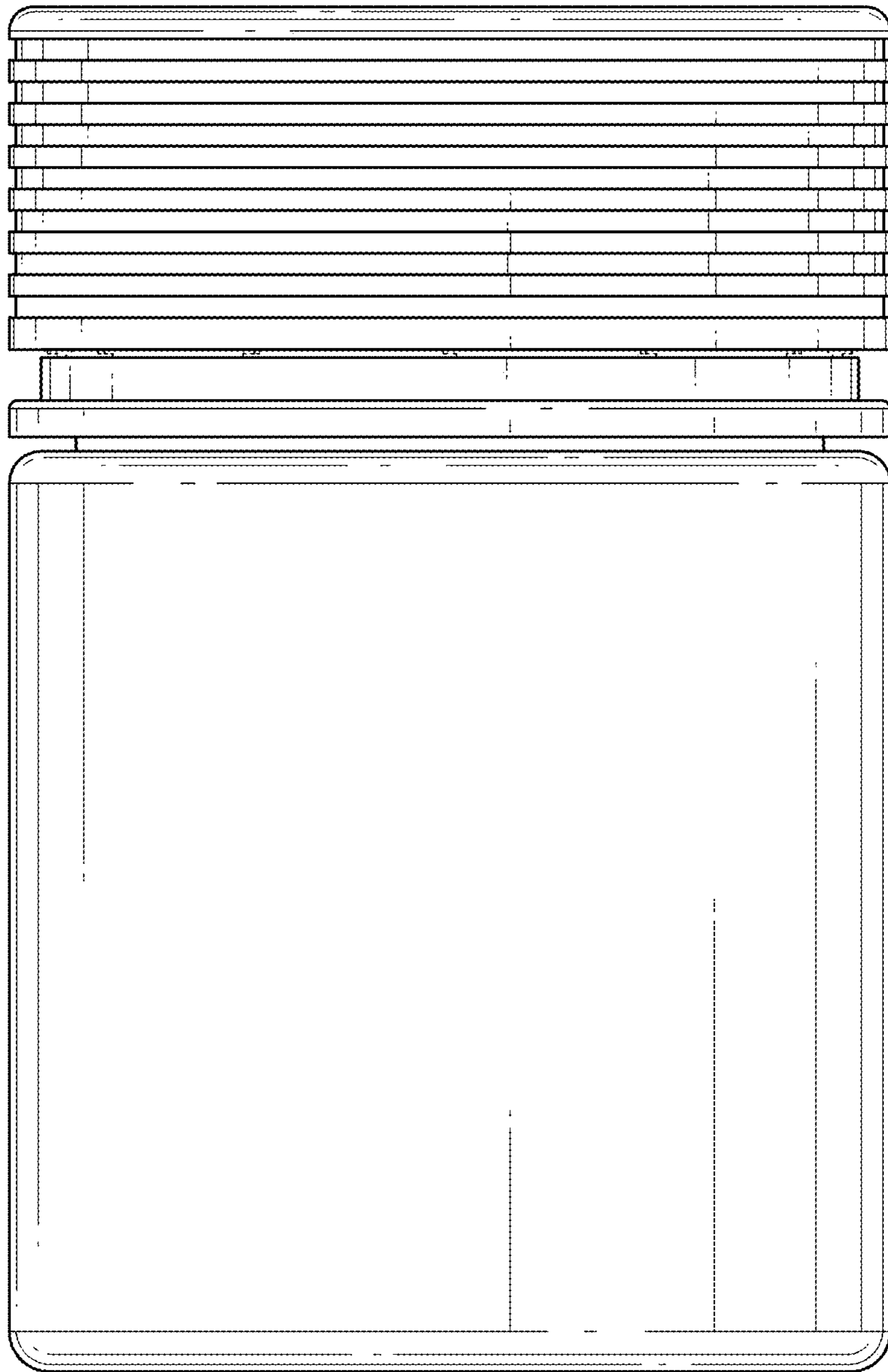


FIG. 44

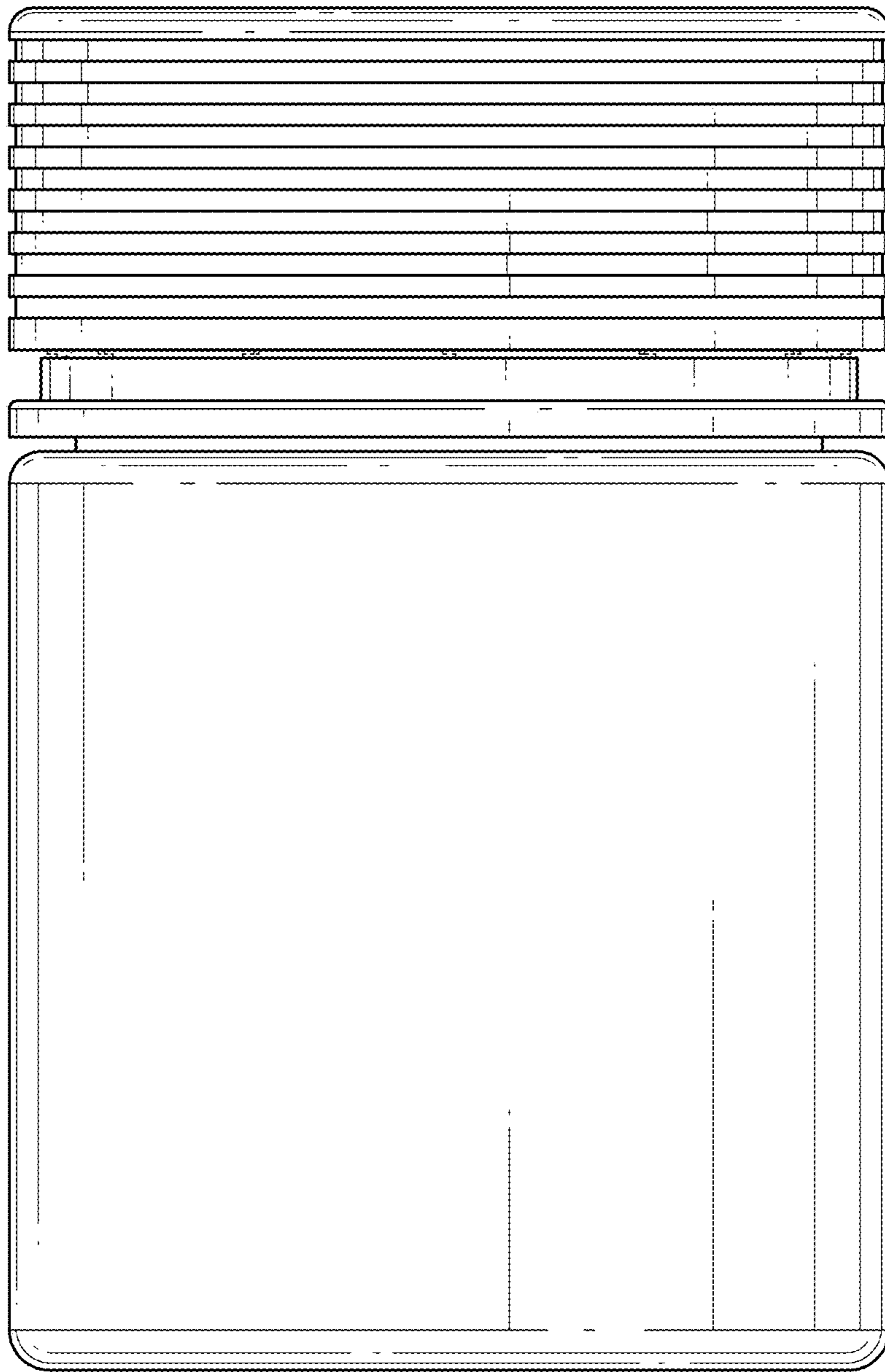


FIG. 45

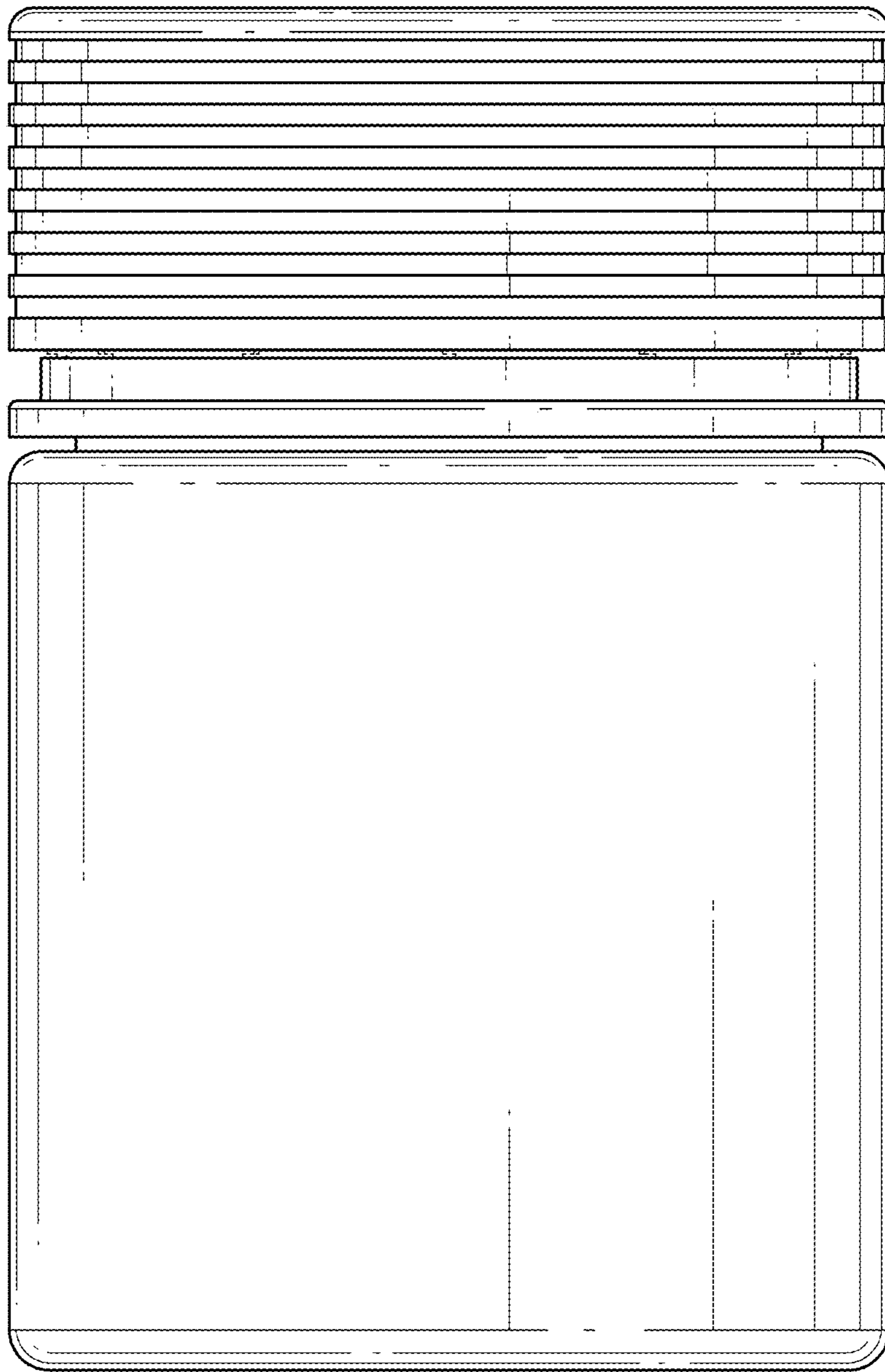


FIG. 46

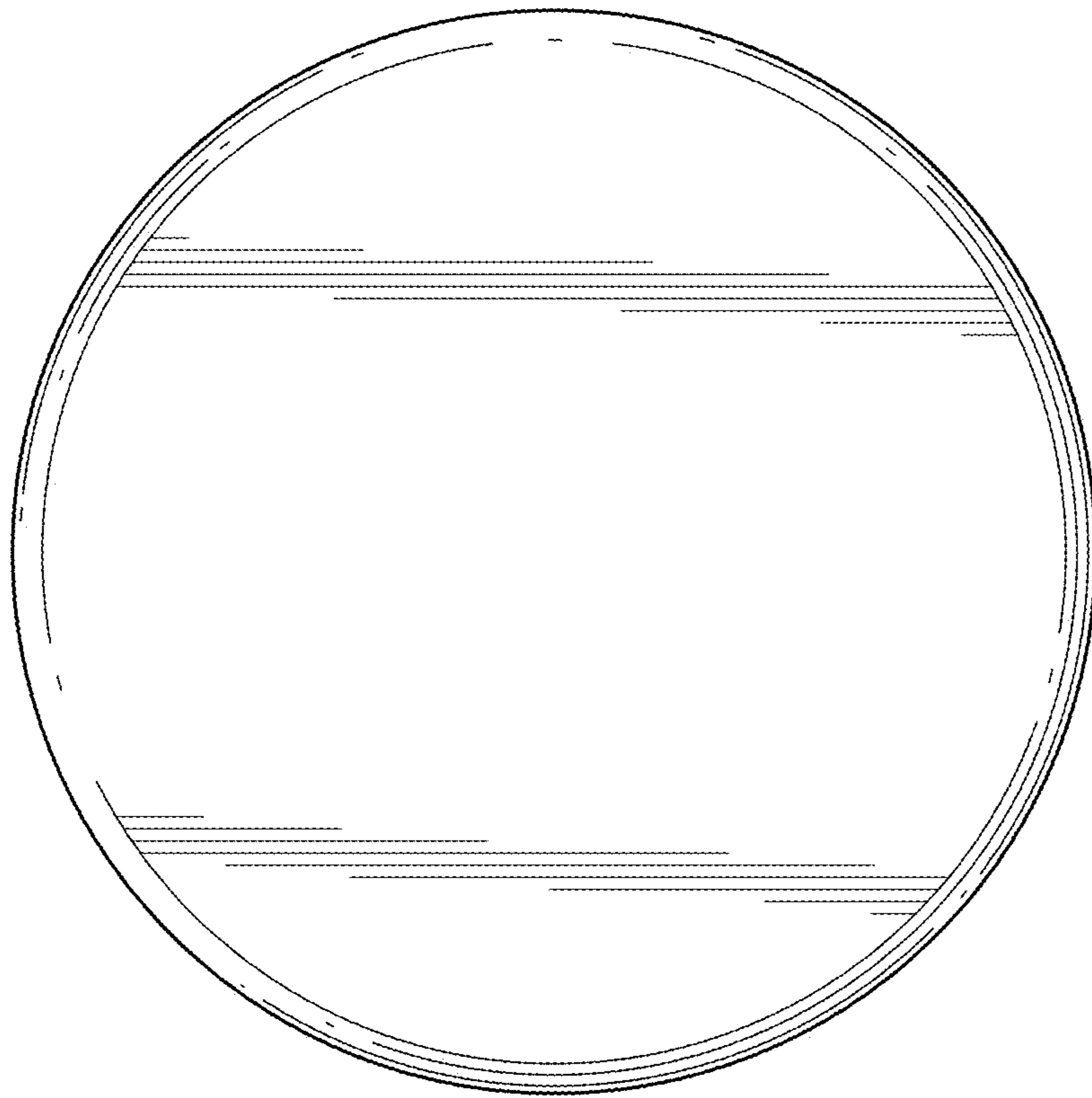


FIG. 47

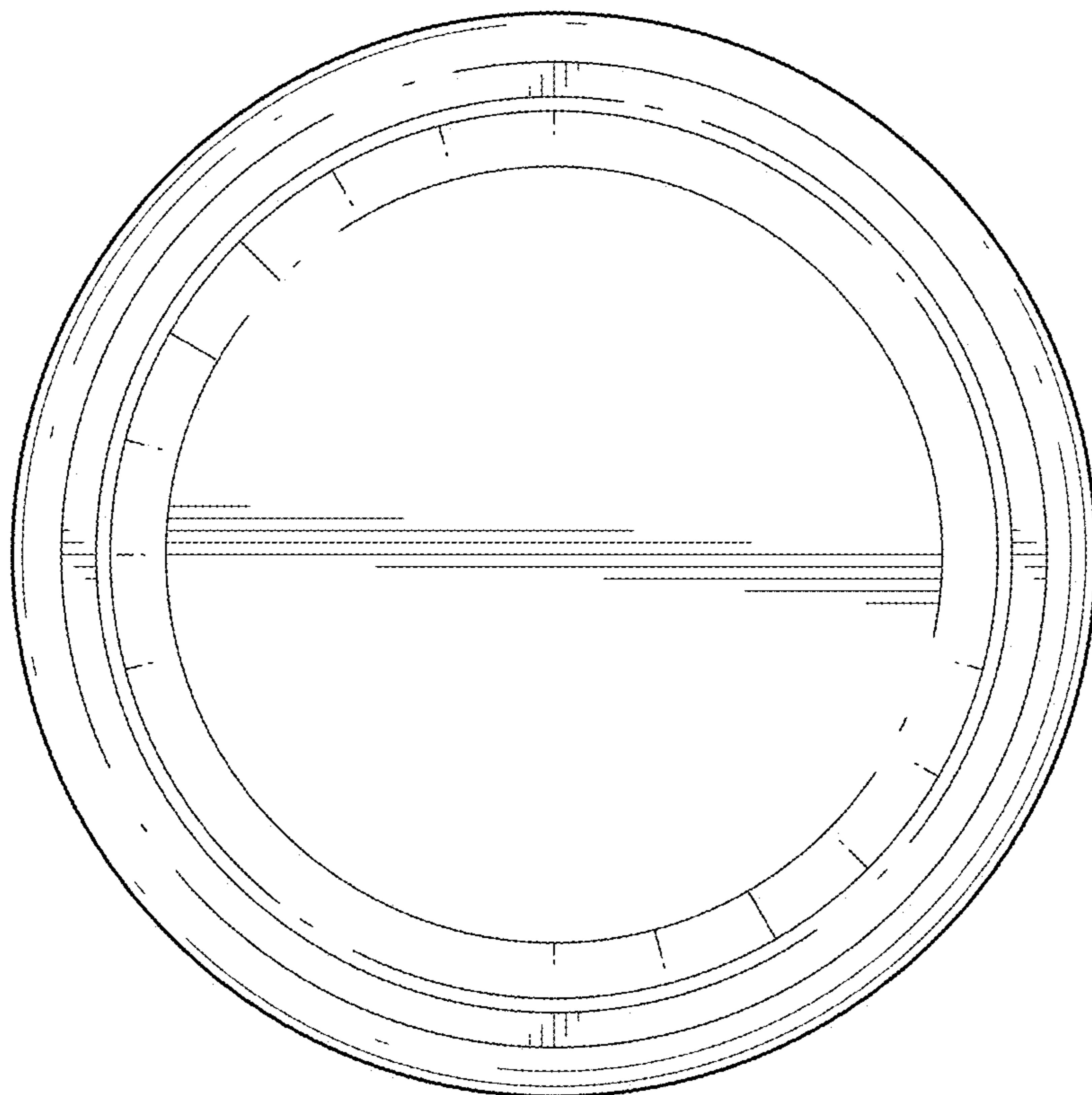


FIG. 48

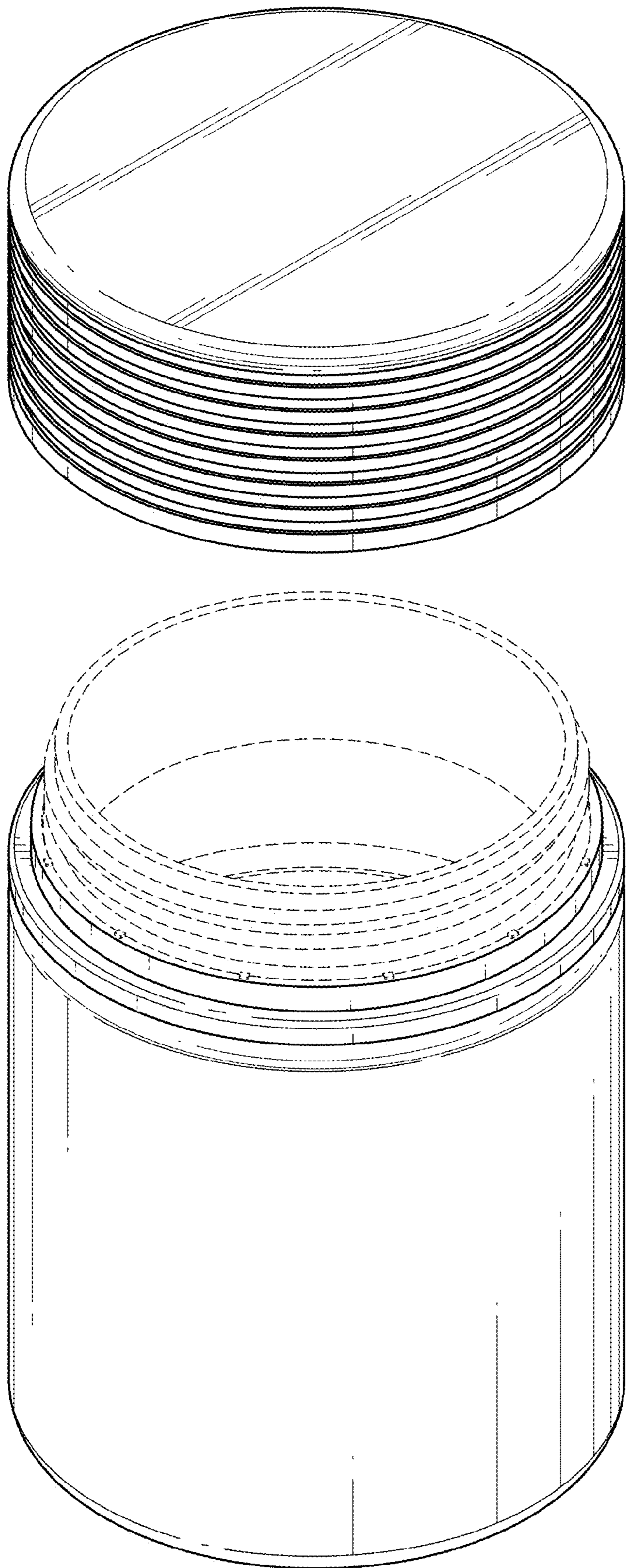


FIG. 49



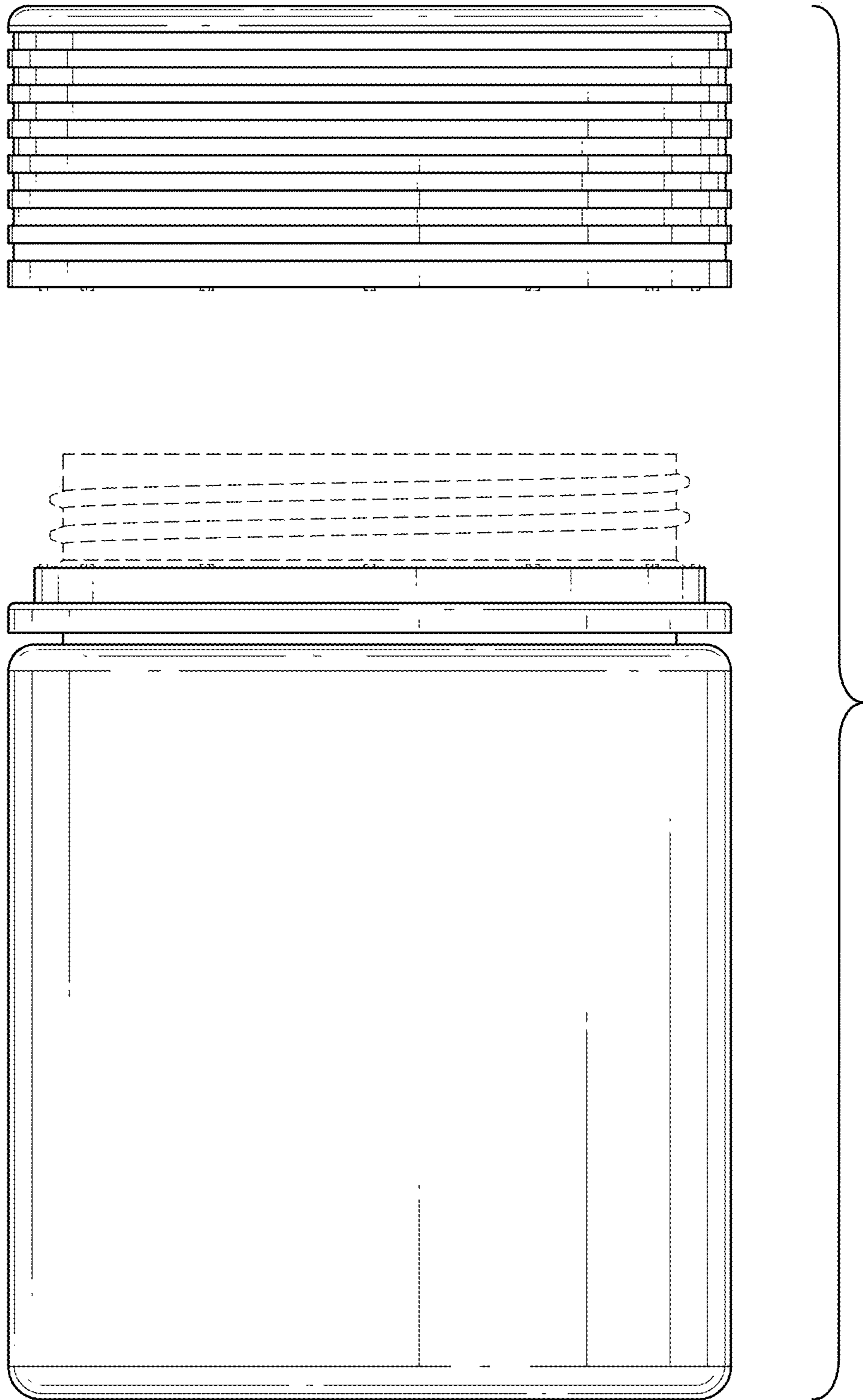


FIG. 50

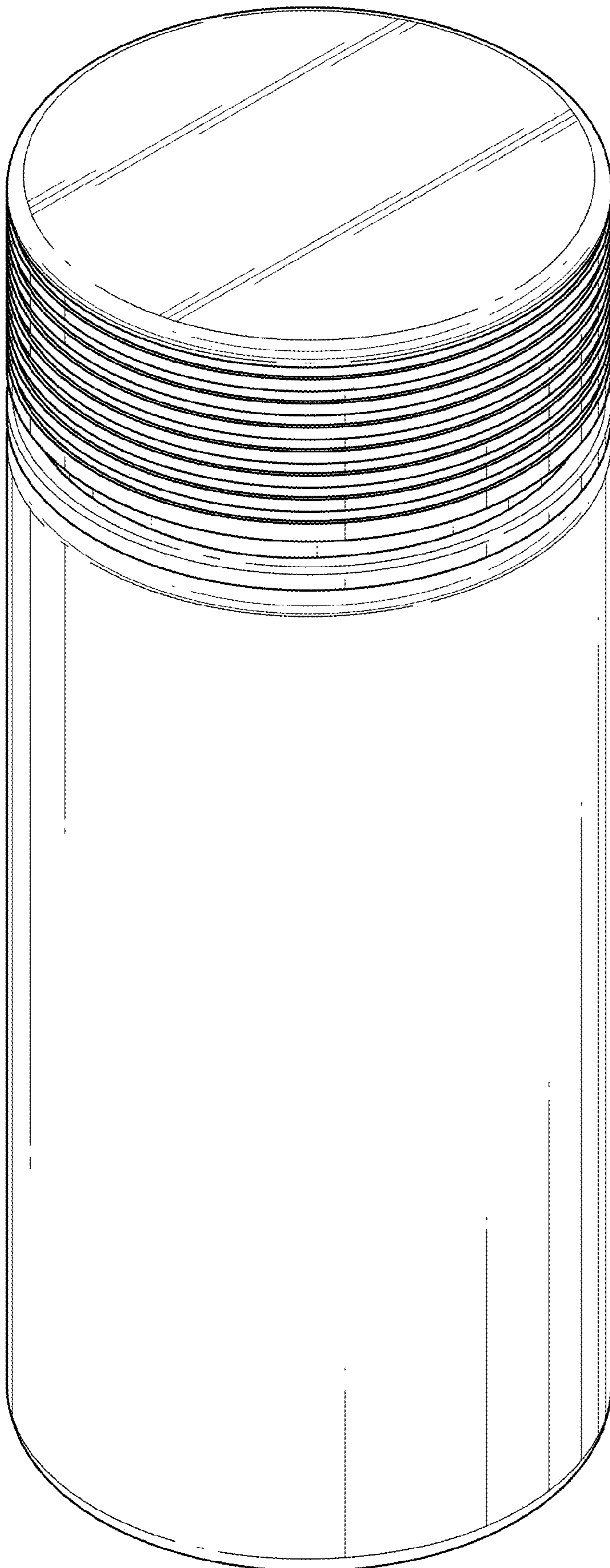


FIG. 51

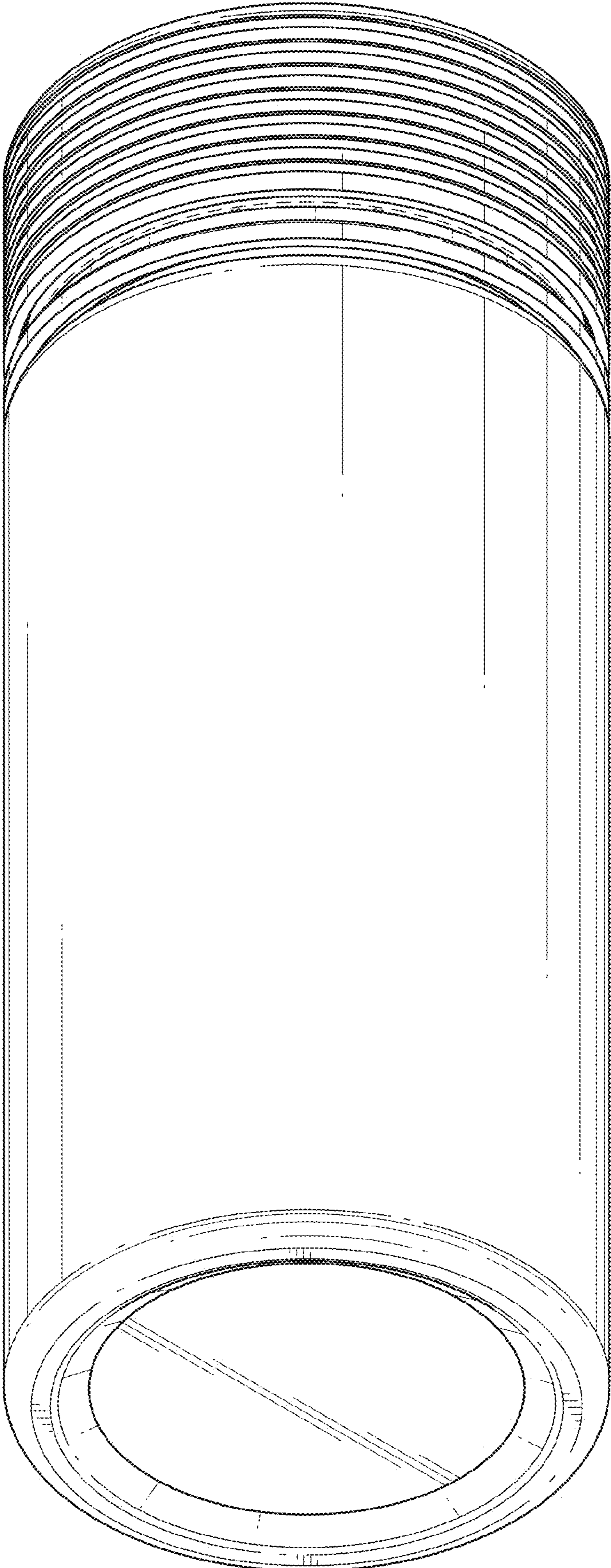


FIG. 52

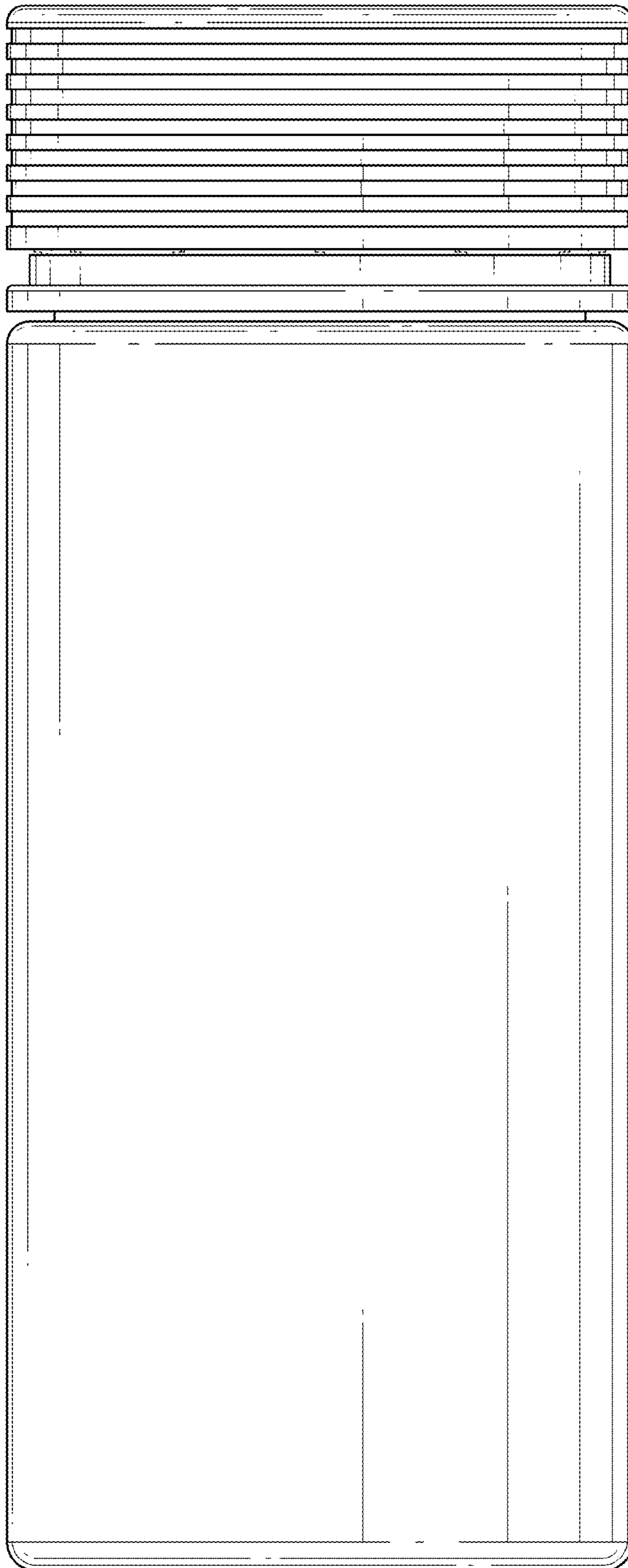


FIG. 53

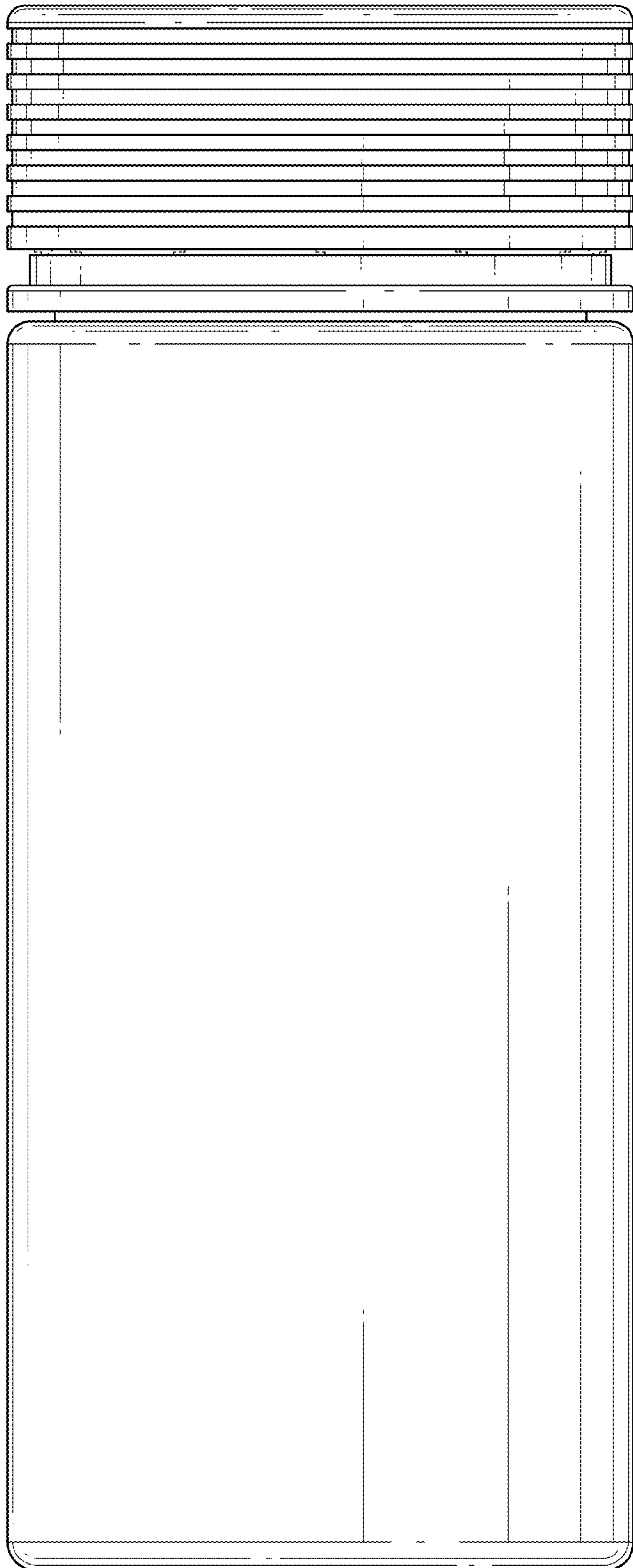


FIG. 54

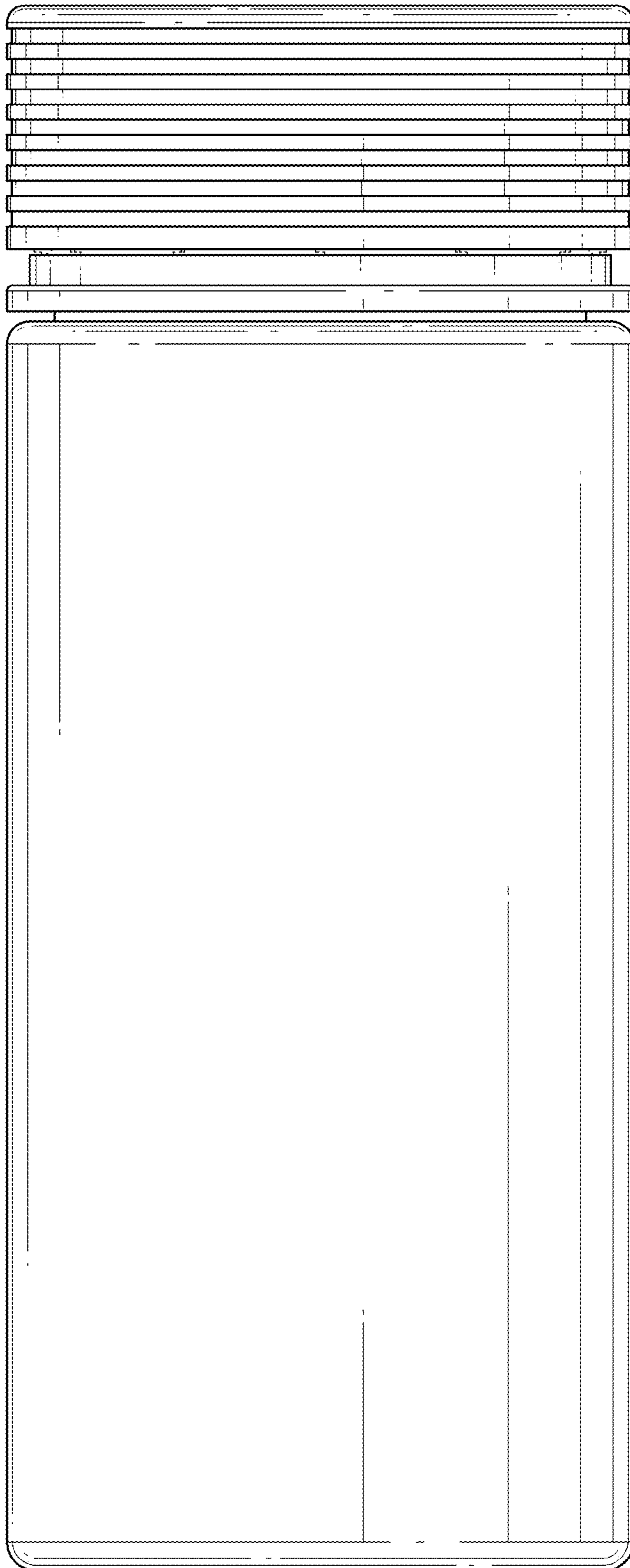


FIG. 55

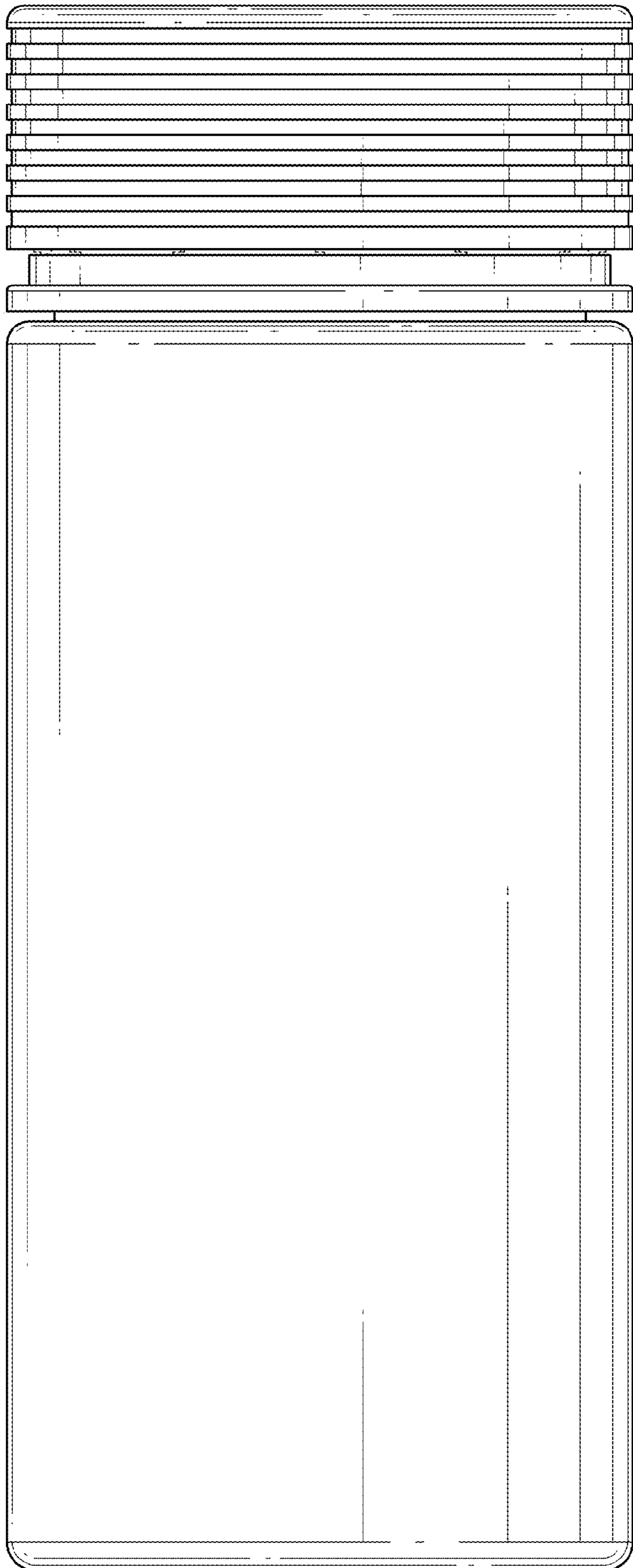
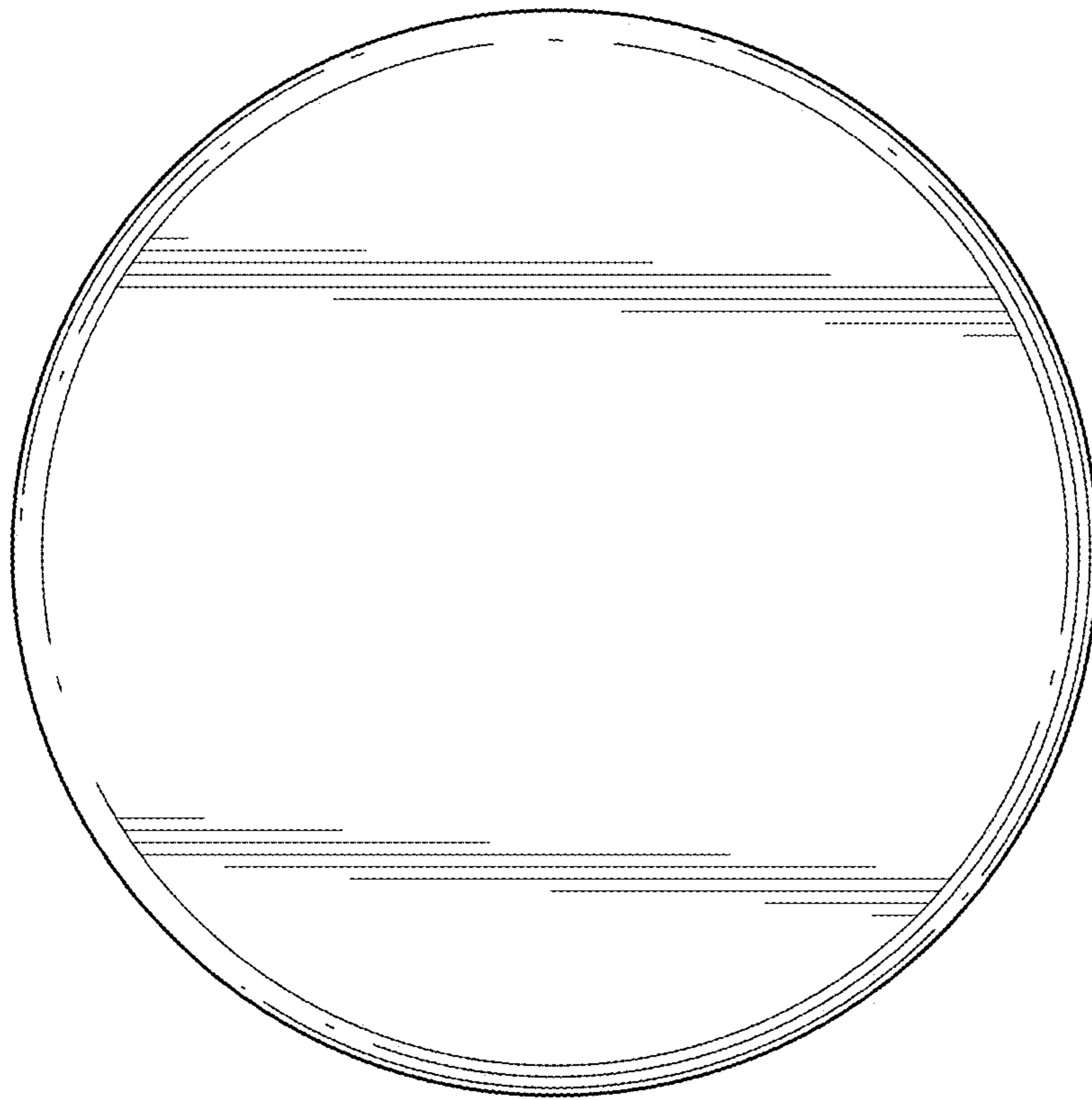
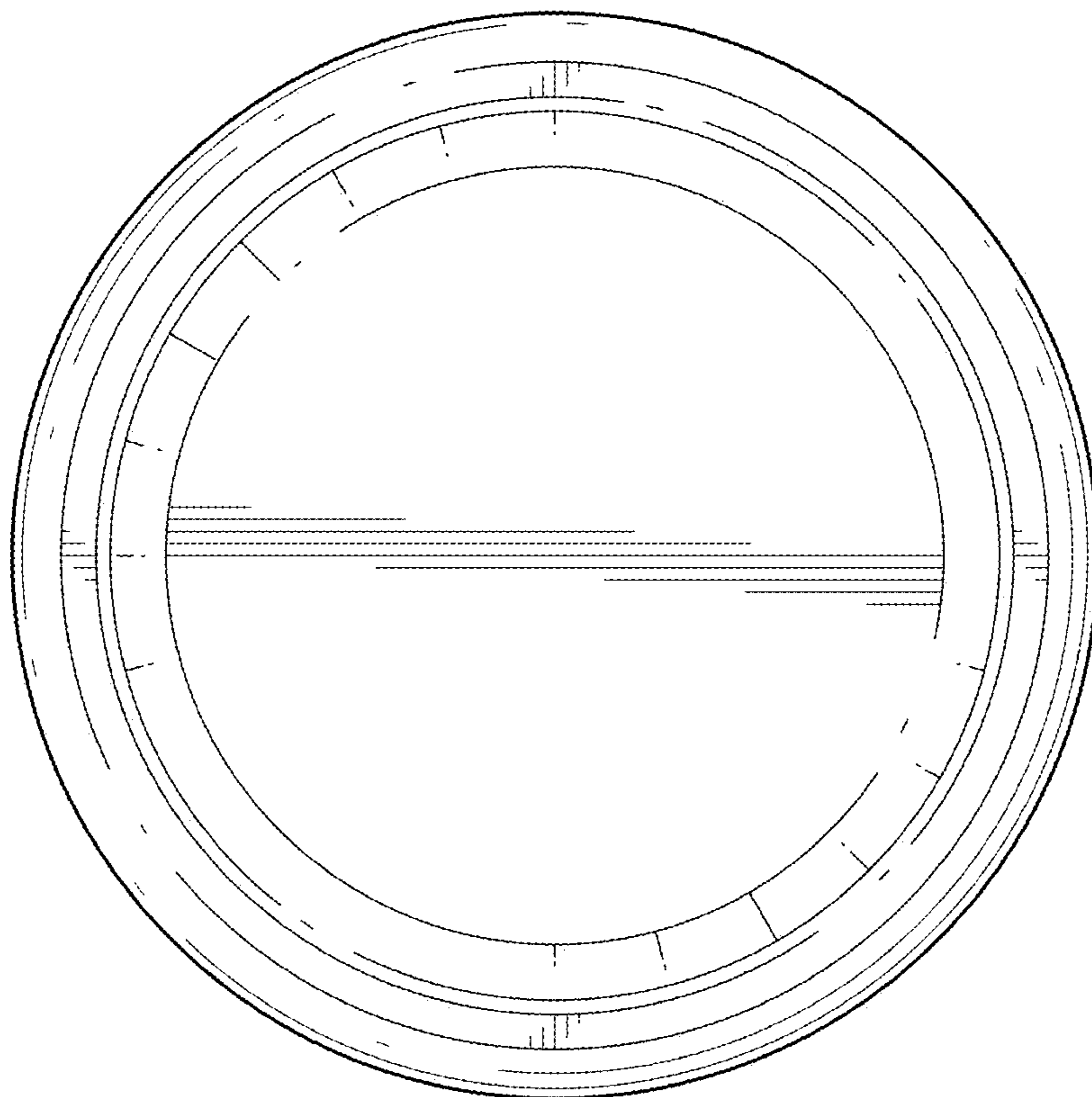


FIG. 56



*FIG. 57*



*FIG. 58*



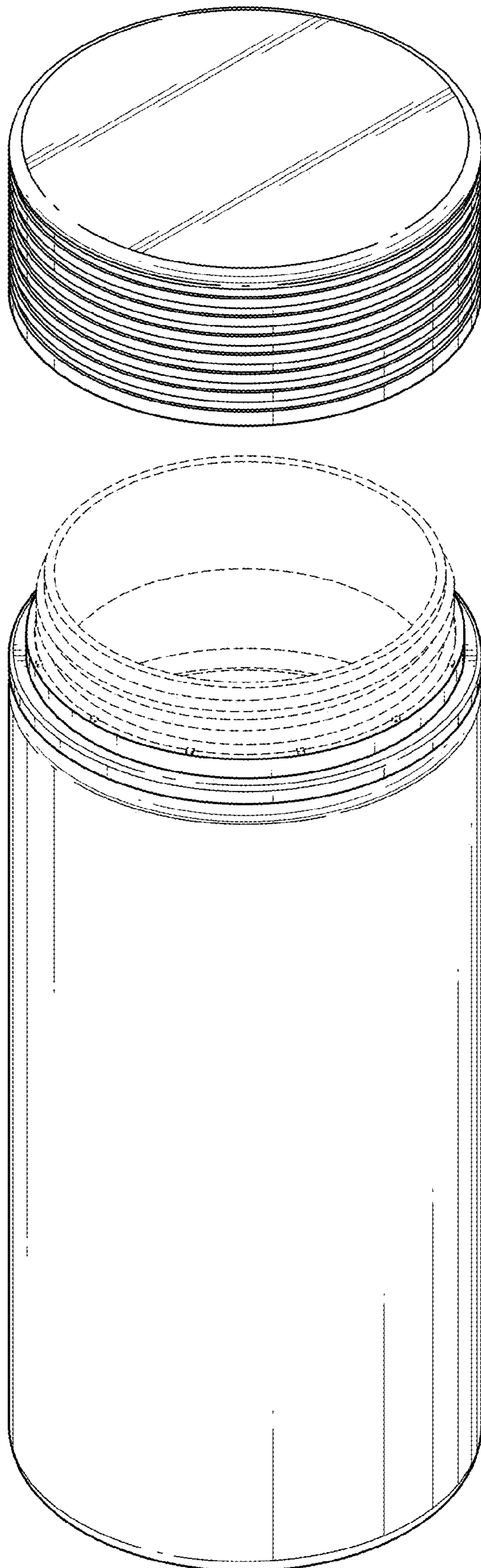


FIG. 59

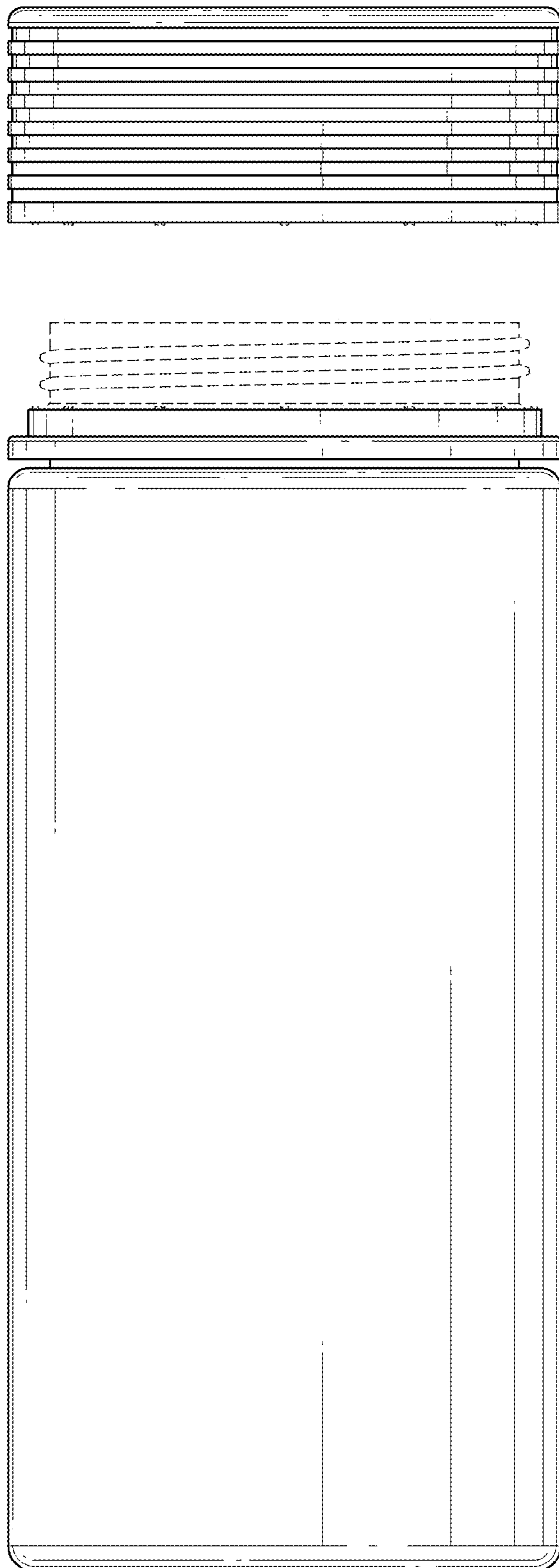


FIG. 60