



US00D950381S

(12) **United States Design Patent**  
**Huang**

(10) **Patent No.:** **US D950,381 S**

(45) **Date of Patent:** **\*\* May 3, 2022**

(54) **CONTAINER**

(71) Applicant: **Jun Tao Huang**, Castro Valley, CA  
(US)

(72) Inventor: **Jun Tao Huang**, Castro Valley, CA  
(US)

(\*\*) Term: **15 Years**

(21) Appl. No.: **29/700,597**

(22) Filed: **Aug. 2, 2019**

(51) **LOC (13) Cl.** ..... **09-03**

(52) **U.S. Cl.**  
USPC ..... **D9/503**; D9/454

(58) **Field of Classification Search**  
USPC ..... D9/414, 417-418, 424, 428, 434-435,  
D9/454, 500, 503, 516, 549, 558, 715;  
D7/629-630  
CPC ..... B65D 21/023; B65D 21/0231; B65D  
21/0233; B65D 21/0222

See application file for complete search history.

(56) **References Cited**

**U.S. PATENT DOCUMENTS**

D236,691 S	9/1975	Haase	
D236,692 S	9/1975	Haase	
5,515,993 A	5/1996	McManus	
D415,420 S *	10/1999	Chen	D7/629
D474,078 S *	5/2003	Sarnoff	D7/354
D475,621 S *	6/2003	Buchalski	D9/428
D491,455 S *	6/2004	Li	D9/425
D505,596 S *	5/2005	Tucker	D7/629
7,055,712 B2 *	6/2006	Tang	B65D 21/0219 220/366.1
D536,992 S	2/2007	Garg et al.	
D586,623 S	2/2009	Dunn	
D594,324 S *	6/2009	Colacitti	D7/354
D594,326 S *	6/2009	Colacitti	D7/354
D601,014 S	9/2009	Petitjean	

D615,822 S	5/2010	Klein	
D634,618 S *	3/2011	Colacitti	D7/354
D640,548 S	6/2011	Lawrence et al.	
D668,537 S	10/2012	Sanfilippo	
D668,950 S	10/2012	Sanfilippo	
D675,517 S	2/2013	Garza	
D680,860 S	4/2013	Schulter et al.	
D681,447 S	5/2013	Schulter et al.	
D683,623 S	6/2013	Chen	
D686,064 S	7/2013	Garza	
D689,334 S *	9/2013	Krueger	D7/538
D694,619 S	12/2013	Pham et al.	
D697,795 S	1/2014	Garza	
D702,510 S *	4/2014	Segal	D7/629
D730,727 S *	6/2015	Chen	D9/500
9,120,595 B2	9/2015	Chou	
9,132,942 B2	9/2015	Nikaein	
9,187,209 B1	11/2015	Hanna et al.	
D749,412 S	2/2016	Hu	

(Continued)

*Primary Examiner* — Dana Meyrow

(74) *Attorney, Agent, or Firm* — Fulwider Patton LLP

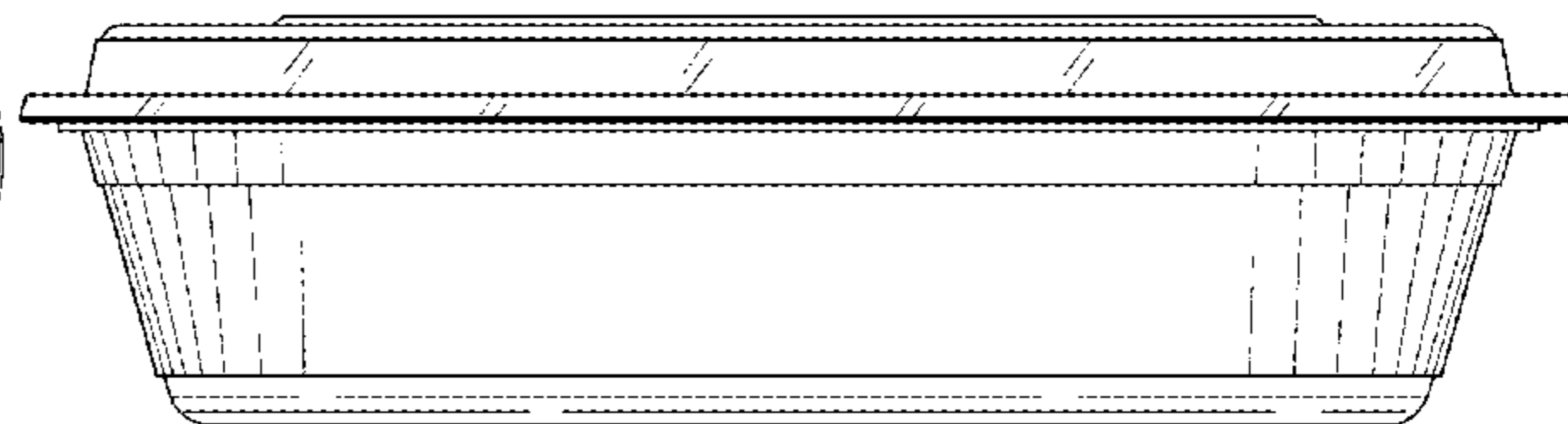
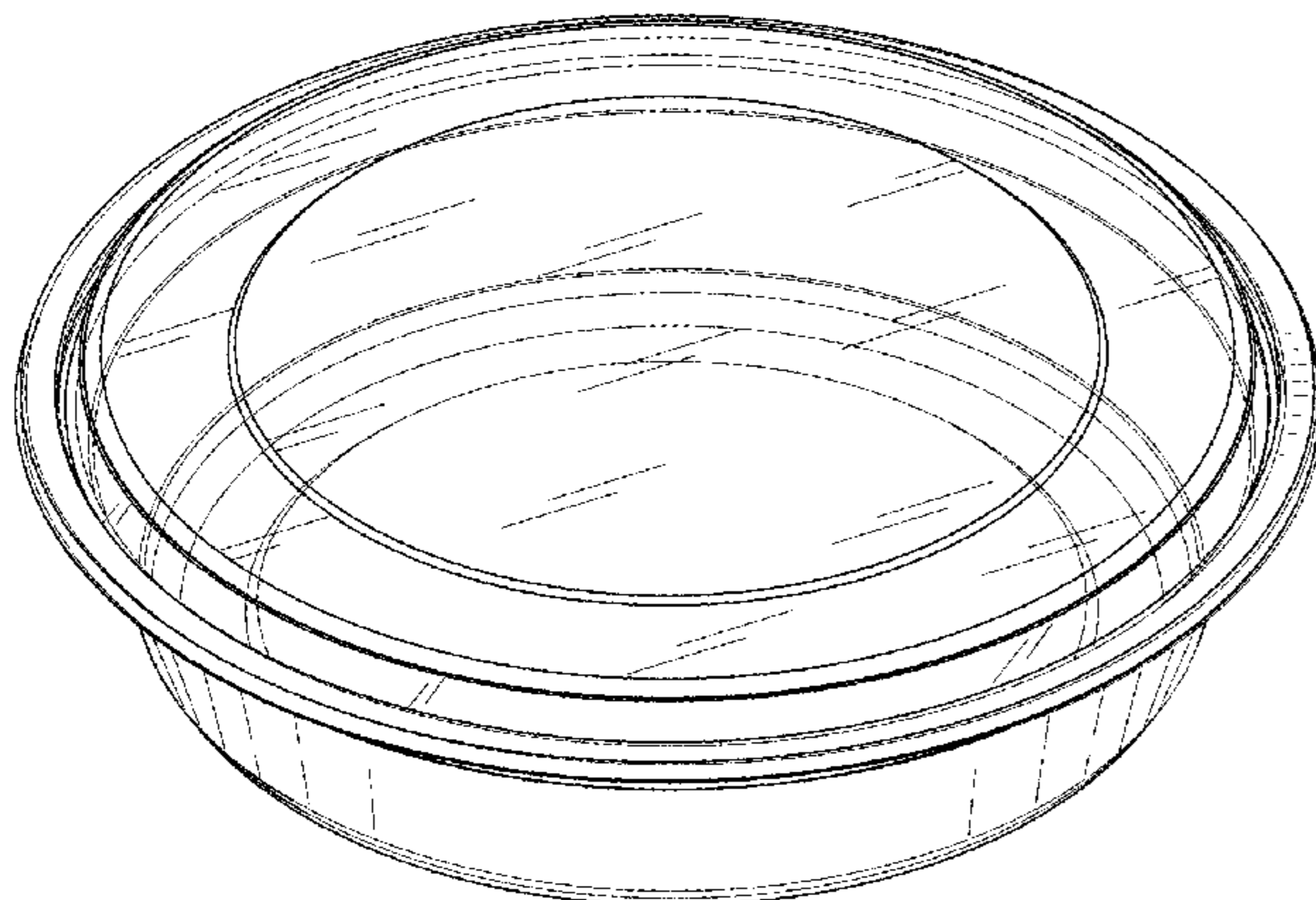
(57) **CLAIM**

I claim the ornamental design for a container, as shown and described.

**DESCRIPTION**

FIG. 1 is a top perspective view of the container in a closed condition;  
FIG. 2 is a bottom perspective view of the container in a closed condition;  
FIG. 3 is a top view of the container in a closed condition;  
FIG. 4 is a right side view of the container in a closed condition. The right side view being the same as a left side view, a front view and a back view in a closed condition;  
and,  
FIG. 5 is a bottom view of the container in a closed condition.

**1 Claim, 3 Drawing Sheets**



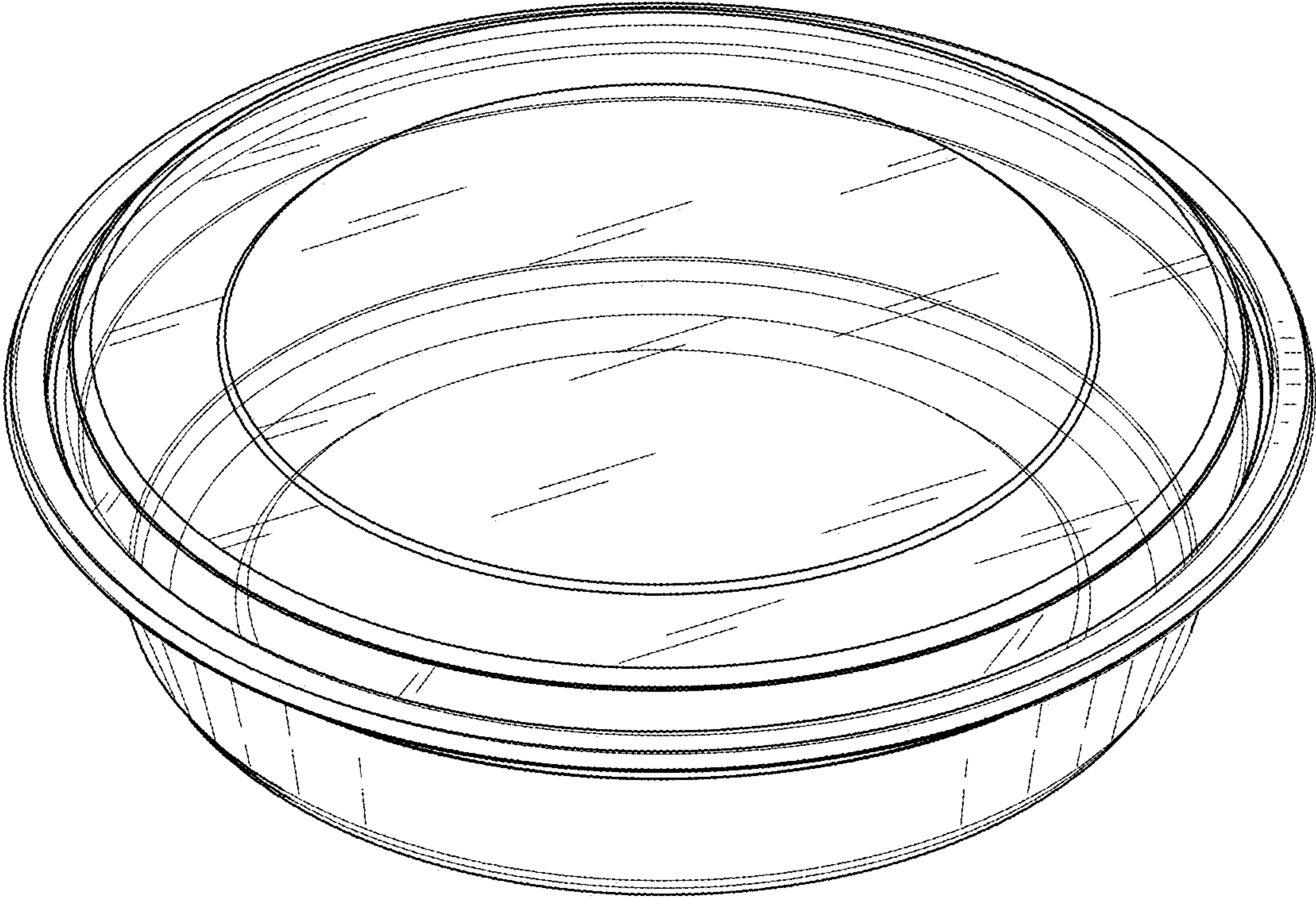
(56)

**References Cited**

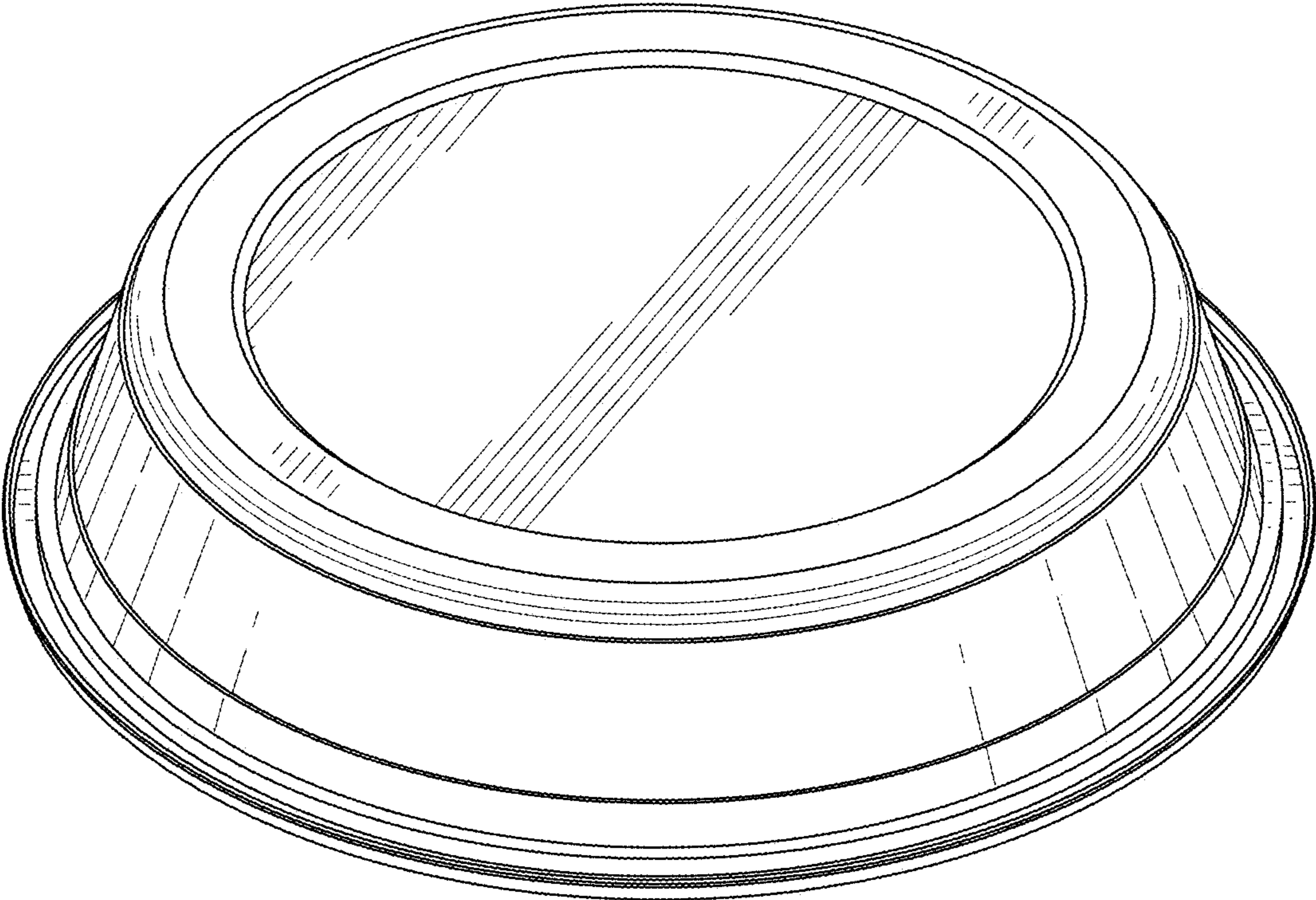
## U.S. PATENT DOCUMENTS

D752,430	S	3/2016	Stevenson et al.	
D756,770	S	5/2016	Snedden et al.	
D764,276	S	8/2016	Das et al.	
D778,115	S	2/2017	Strachan	
D778,155	S	2/2017	Strachan	
D778,722	S	2/2017	Strachan	
D792,160	S	7/2017	Ng	
D792,161	S	7/2017	Ng	
D793,811	S	8/2017	Ng	
D838,585	S *	1/2019	Kui .....	D9/428
D852,589	S *	7/2019	Bertsch .....	D7/629
D854,381	S *	7/2019	Yang .....	D7/602
D858,213	S *	9/2019	Wu .....	D7/629
D871,834	S *	1/2020	Sarnoff .....	D7/392.1
D886,600	S *	6/2020	Wu .....	D9/428
D928,551	S *	8/2021	Sarnoff .....	D7/359
D930,468	S *	9/2021	Chen .....	D9/429
D930,476	S *	9/2021	Bontrager .....	D9/454
D932,235	S *	10/2021	Sarnoff .....	D7/359
D944,641	S *	3/2022	Wu .....	D9/425
2005/0247709	A1	11/2005	Atkins et al.	
2006/0081641	A1	4/2006	Habeger et al.	
2007/0045317	A1	3/2007	Rosender et al.	
2010/0072217	A1	3/2010	Parikh et al.	
2011/0000929	A1	1/2011	Brown et al.	
2011/0139785	A1	6/2011	Strange et al.	
2012/0031921	A1	2/2012	Cadiente	

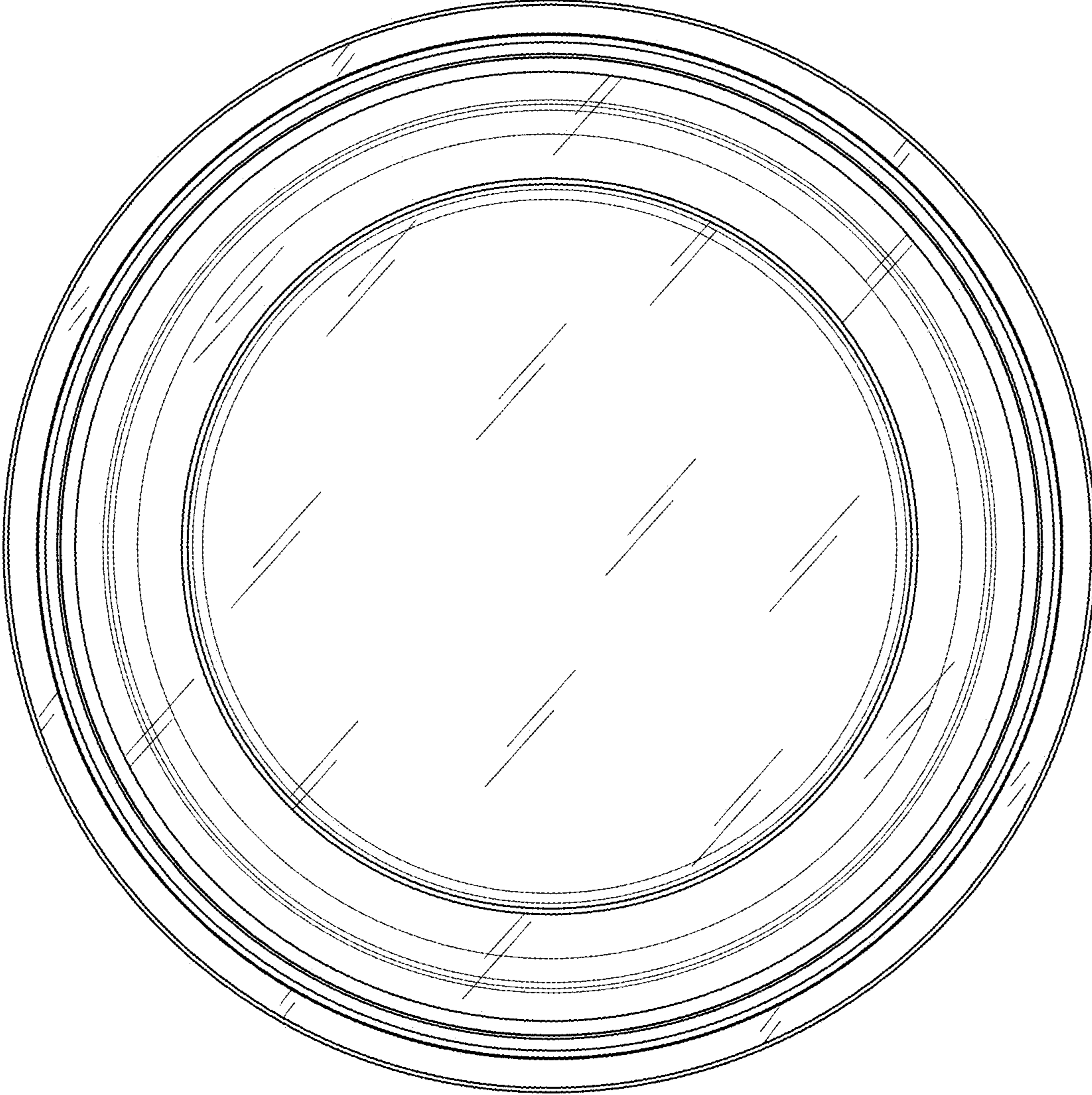
\* cited by examiner



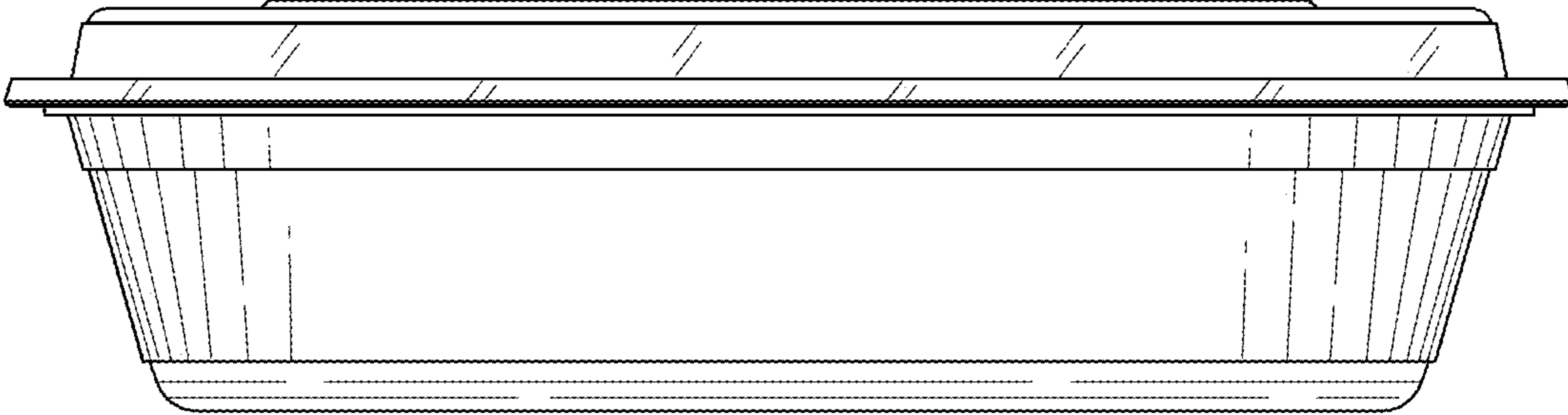
**FIG. 1**



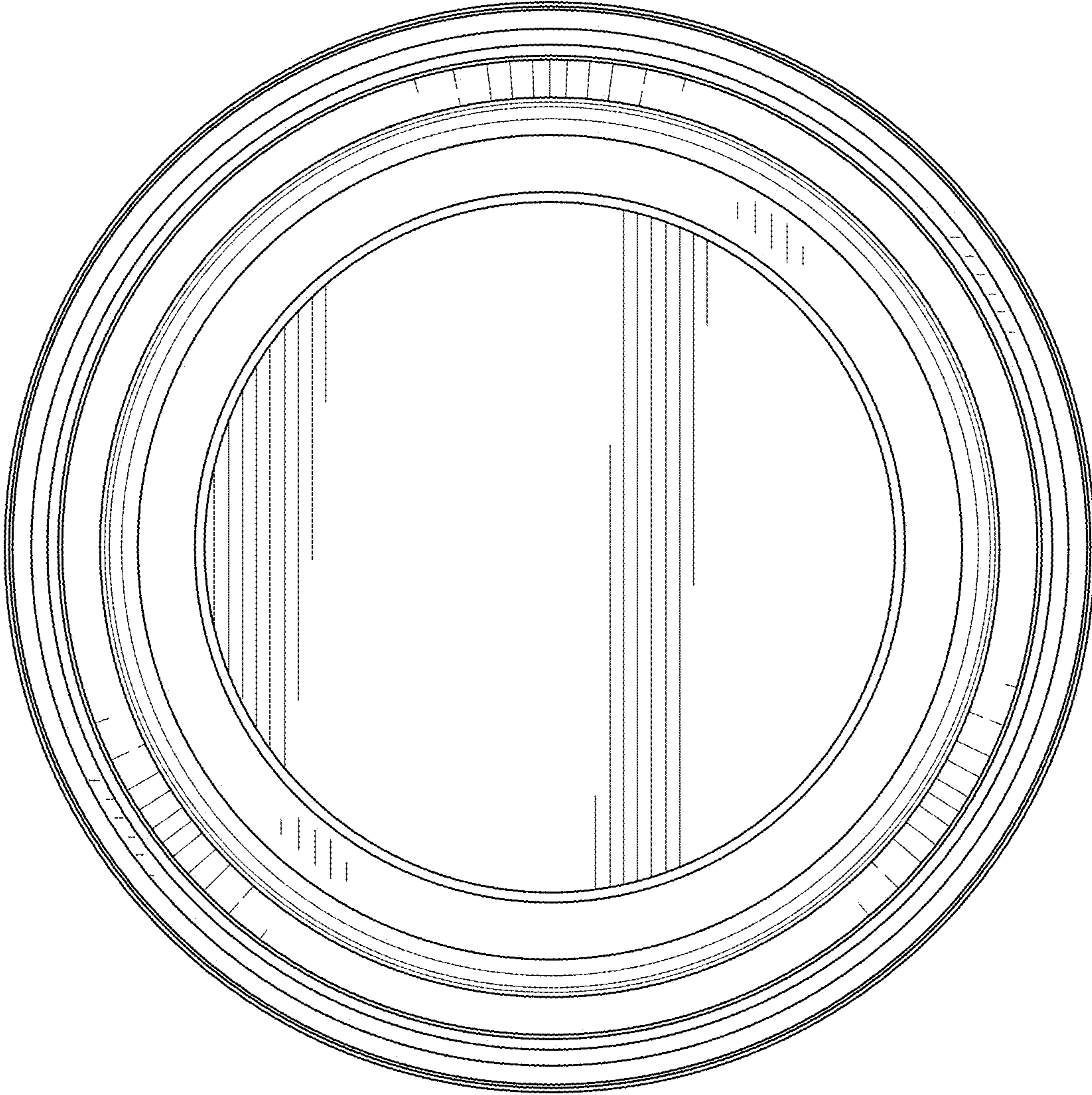
**FIG. 2**



**FIG. 3**



**FIG. 4**



**FIG. 5**