



US00D950380S

(12) **United States Design Patent**
Brown

(10) **Patent No.:** **US D950,380 S**

(45) **Date of Patent:** **** May 3, 2022**

(54) **CLAMPABLE COVER FOR WATER OR SPORTS BOTTLE**

(71) Applicant: **Craig E Brown**, Shelbyville, IL (US)

(72) Inventor: **Craig E Brown**, Shelbyville, IL (US)

(73) Assignee: **Travents, LLC**, Shelbyville, IL (US)

(**) Term: **15 Years**

(21) Appl. No.: **29/742,196**

(22) Filed: **Apr. 17, 2020**

(51) **LOC (13) Cl.** **09-07**

(52) **U.S. Cl.**
USPC **D9/454**

(58) **Field of Classification Search**
USPC D7/392.1, 396.2; D9/434-436, 499, 454
CPC B65D 47/2093; B65D 47/2031; B65D
47/242; B65D 47/243; B65D 47/247;
B65D 41/023

See application file for complete search history.

(56) **References Cited**

U.S. PATENT DOCUMENTS

1,794,238	A *	2/1931	McKibben	A23G 9/506 426/139
D272,128	S *	1/1984	Parmentier	D15/90
D293,891	S *	1/1988	Molvik	D19/162
D309,339	S *	7/1990	Lutfy	D22/116
D380,679	S *	7/1997	Schreiber	D9/447
D448,244	S *	9/2001	Thomas	D7/510
6,523,711	B1	2/2003	Hughes et al.		
D500,952	S *	1/2005	Moore	D9/504
D516,864	S *	3/2006	Kleckauskas	D7/507
D532,296	S *	11/2006	Beaver	D9/445
D534,076	S *	12/2006	Green	A45D 40/0068 D9/435
D580,708	S *	11/2008	George	D7/509
D585,280	S *	1/2009	Stuart	D9/454
D717,170	S *	11/2014	Tan	D9/454

D724,380	S *	3/2015	Hojo	D7/396.2
D734,638	S *	7/2015	Wahl	D7/392.1
D756,222	S *	5/2016	Lopez	D9/454
D786,012	S	5/2017	Hein et al.		
D795,006	S	8/2017	Heiberger		
D798,438	S *	9/2017	Engelhard	D24/110
D808,712	S *	1/2018	Steininger	D7/396.2
D819,395	S *	6/2018	Yu	D7/391
D836,973	S *	1/2019	Masifilo	D7/392

(Continued)

OTHER PUBLICATIONS

Amazon. Vmini Protective Silicone Boot, Compatible with Hydro Flask and More Water Bottles, Anti-Slip Bottom Sleeve Cover 12-40 oz. Aug. 20, 2019. <https://amzn.to/3B9hQar> (Year: 2019).*

Primary Examiner — Darcey E Gottschalk

(74) *Attorney, Agent, or Firm* — Paul M. Denk

(57) **CLAIM**

The ornamental design for a clampable cover for water or sports bottle, as shown and described.

DESCRIPTION

FIG. 1 is an isometric view of the clampable cover for water or sports bottle of this invention;

FIG. 2 is a front view thereof, the right, back, and left side views being identical thereto;

FIG. 3 is a top plan view;

FIG. 4 is a bottom view;

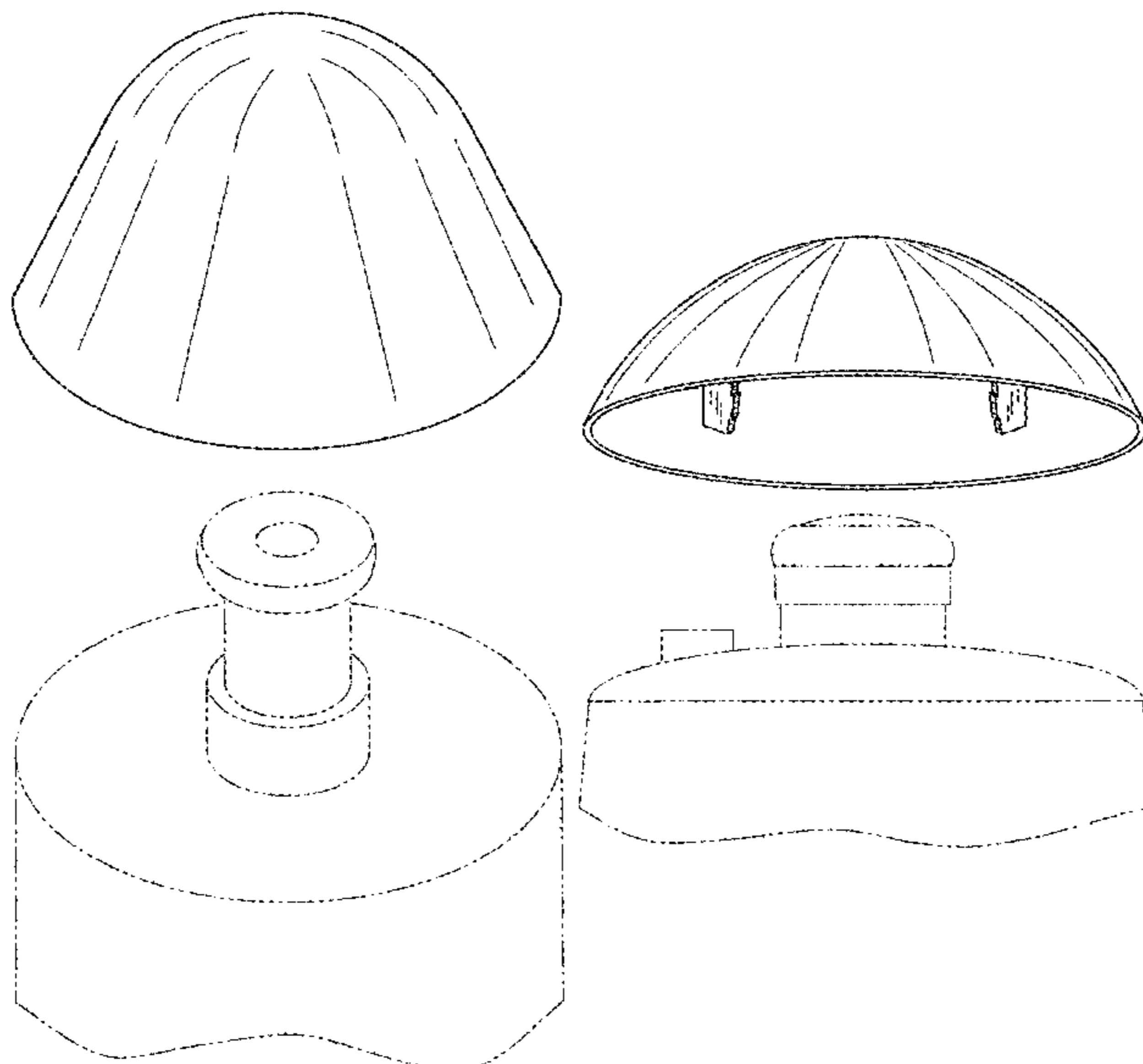
FIG. 5 is an isometric view of the cover in an environment of use;

FIG. 6 is a bottom view of a second embodiment of a clampable cover for water or sports bottle; and,

FIG. 7 is an isometric view of the cover in another environment of use.

In the drawings, the broken lines show a sports bottle in FIG. 5 and a sports bottle with a vent in FIG. 7 that form no part of the claim.

1 Claim, 3 Drawing Sheets



(56)

References Cited

U.S. PATENT DOCUMENTS

D838,594 S *	1/2019	Ainsworth, Jr.	D9/454
D850,189 S *	6/2019	Burton	D7/392
10,322,855 B2	6/2019	Heiberger et al.		
D860,718 S *	9/2019	Eyal	D7/392.1
D867,059 S *	11/2019	Viitala	D7/392.1
D878,149 S *	3/2020	Omdahl, II	D7/396.2
D878,203 S *	3/2020	Luther	D9/443
D885,826 S *	6/2020	Mosebrook	D7/392.1
D892,620 S	8/2020	Kaye et al.		
D893,953 S *	8/2020	Tobias	D7/510
D918,989 S *	5/2021	Au	D16/237
D938,820 S *	12/2021	Sanders	D9/436

* cited by examiner

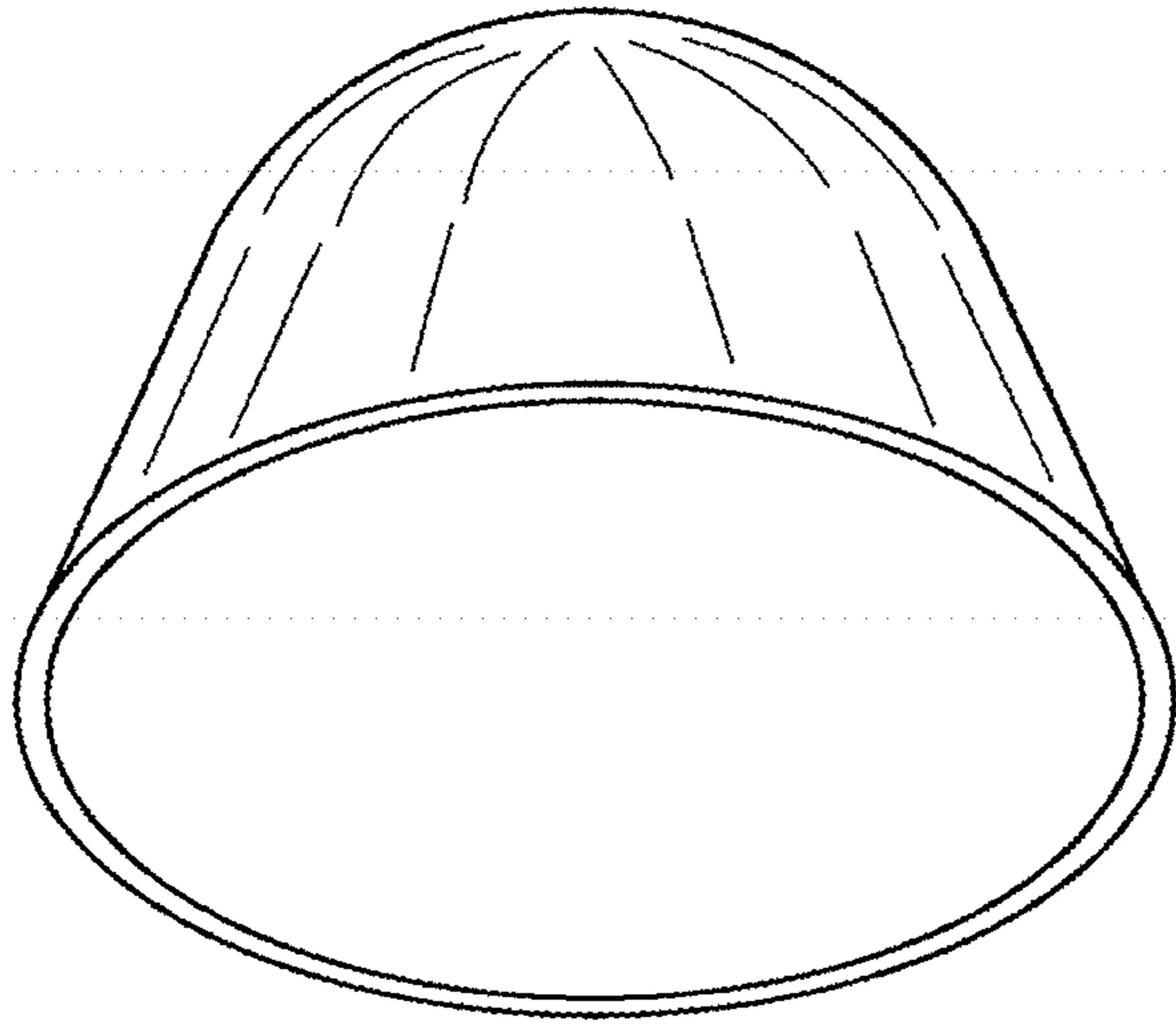


FIG. 1

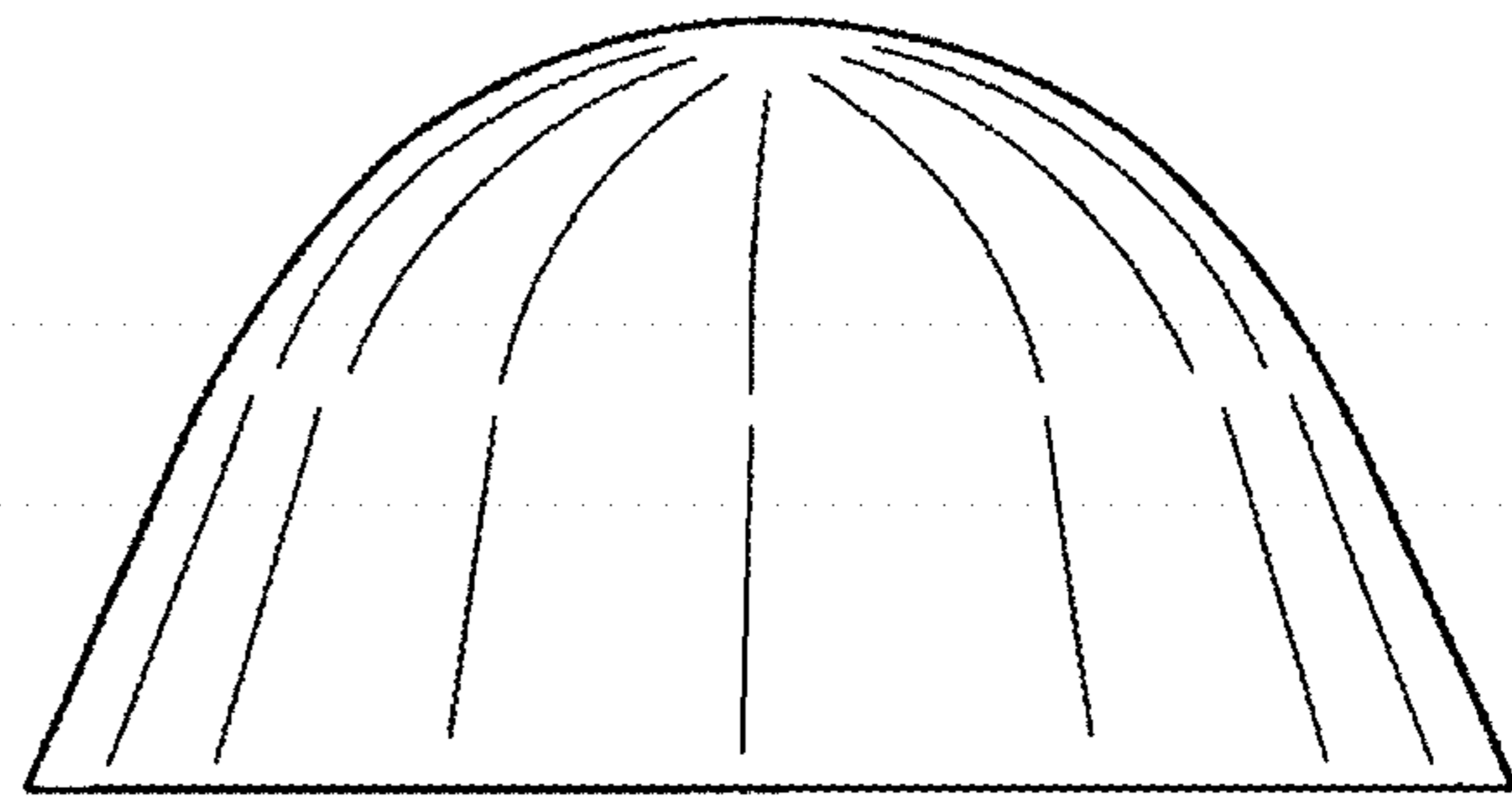


FIG. 2

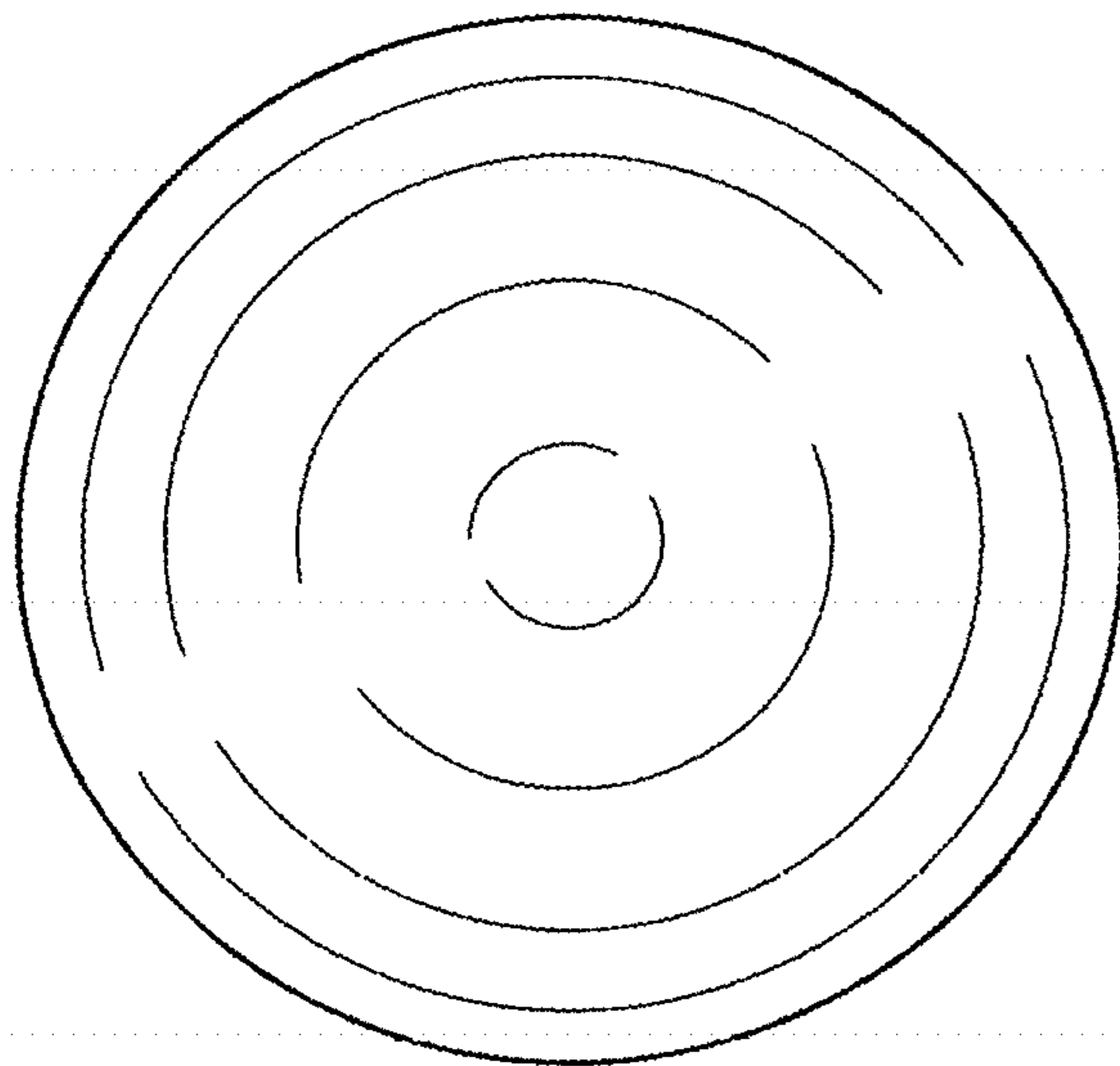


FIG. 3

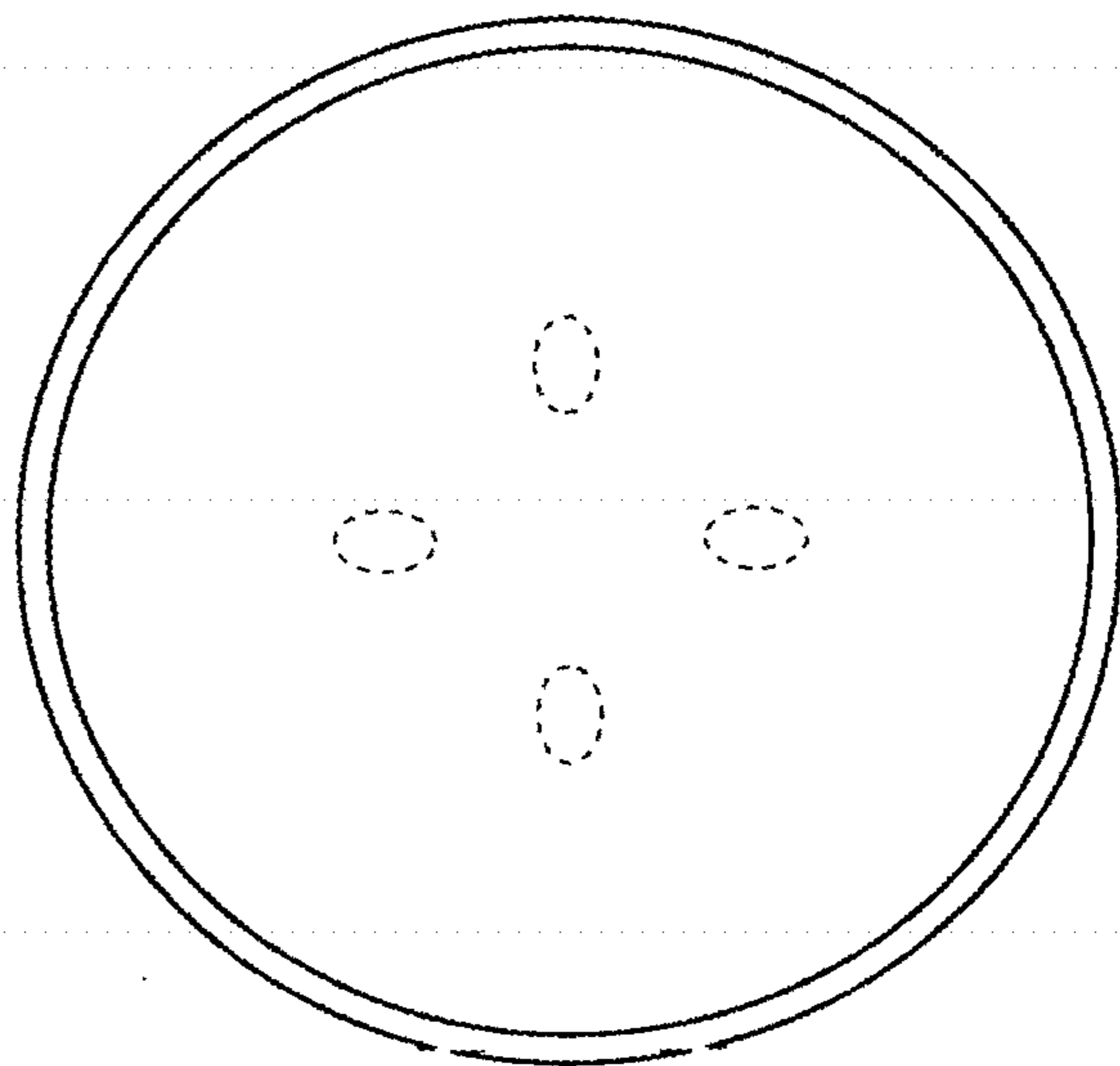


FIG. 4

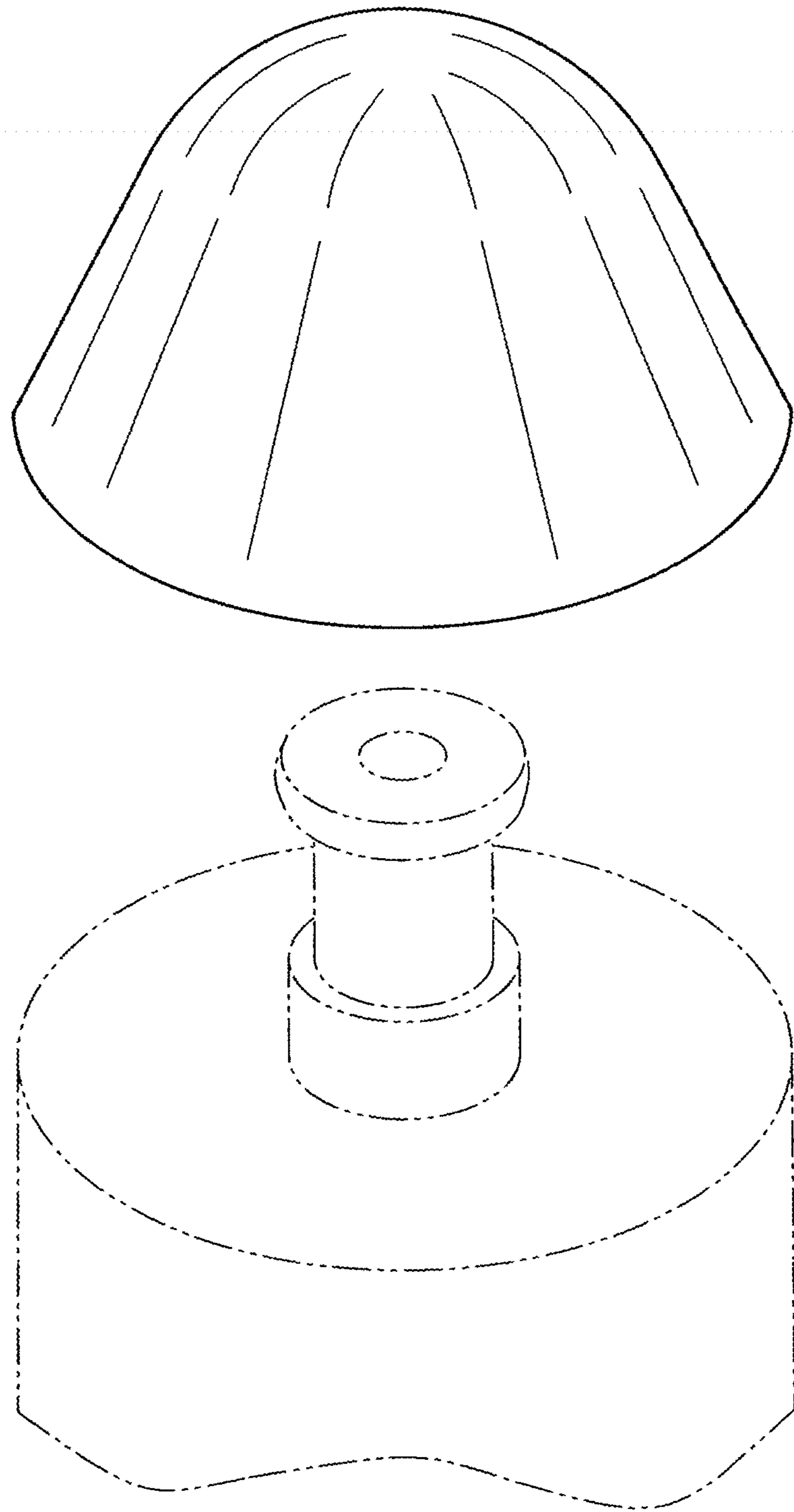


FIG. 5

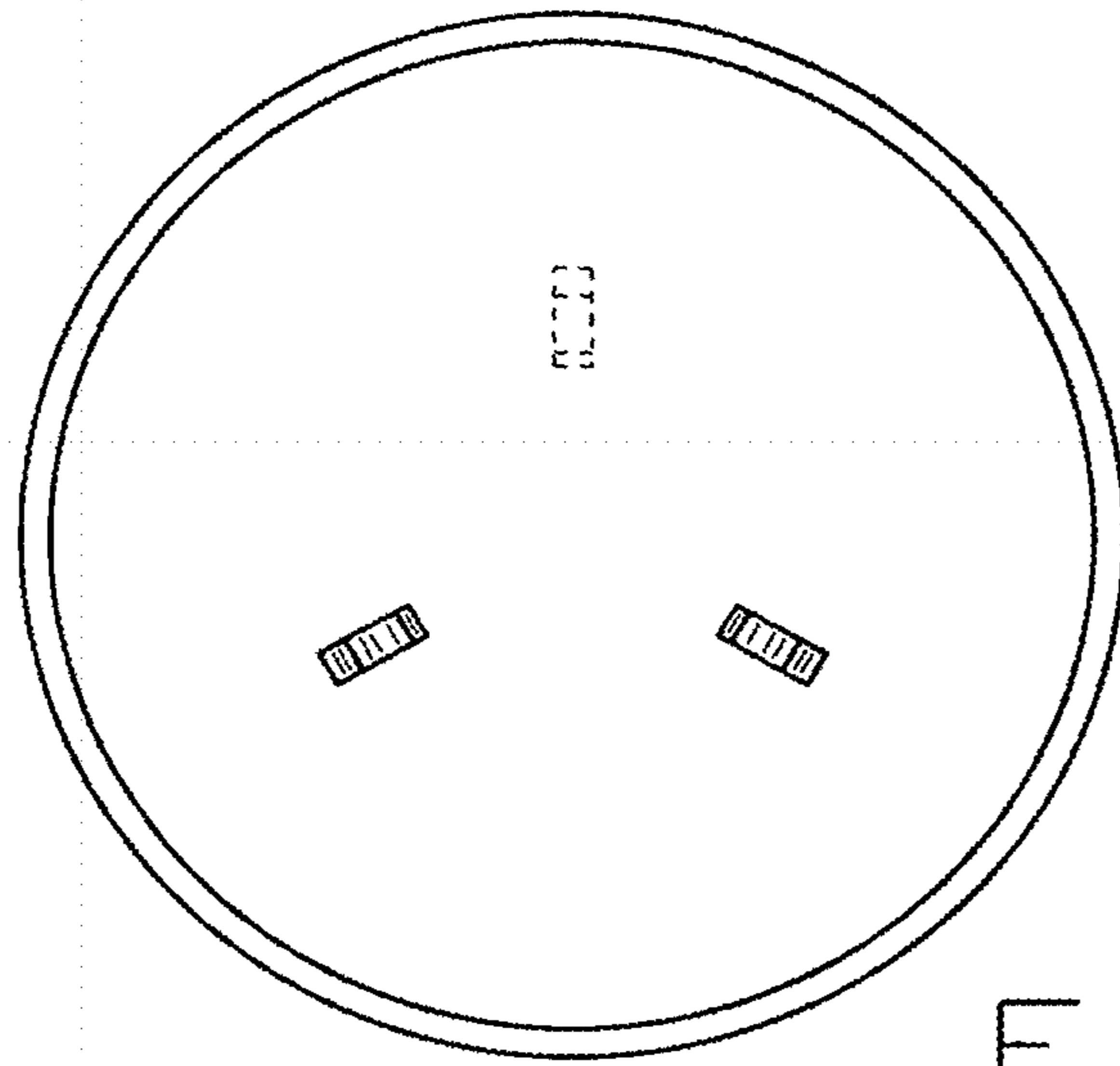


FIG. 6

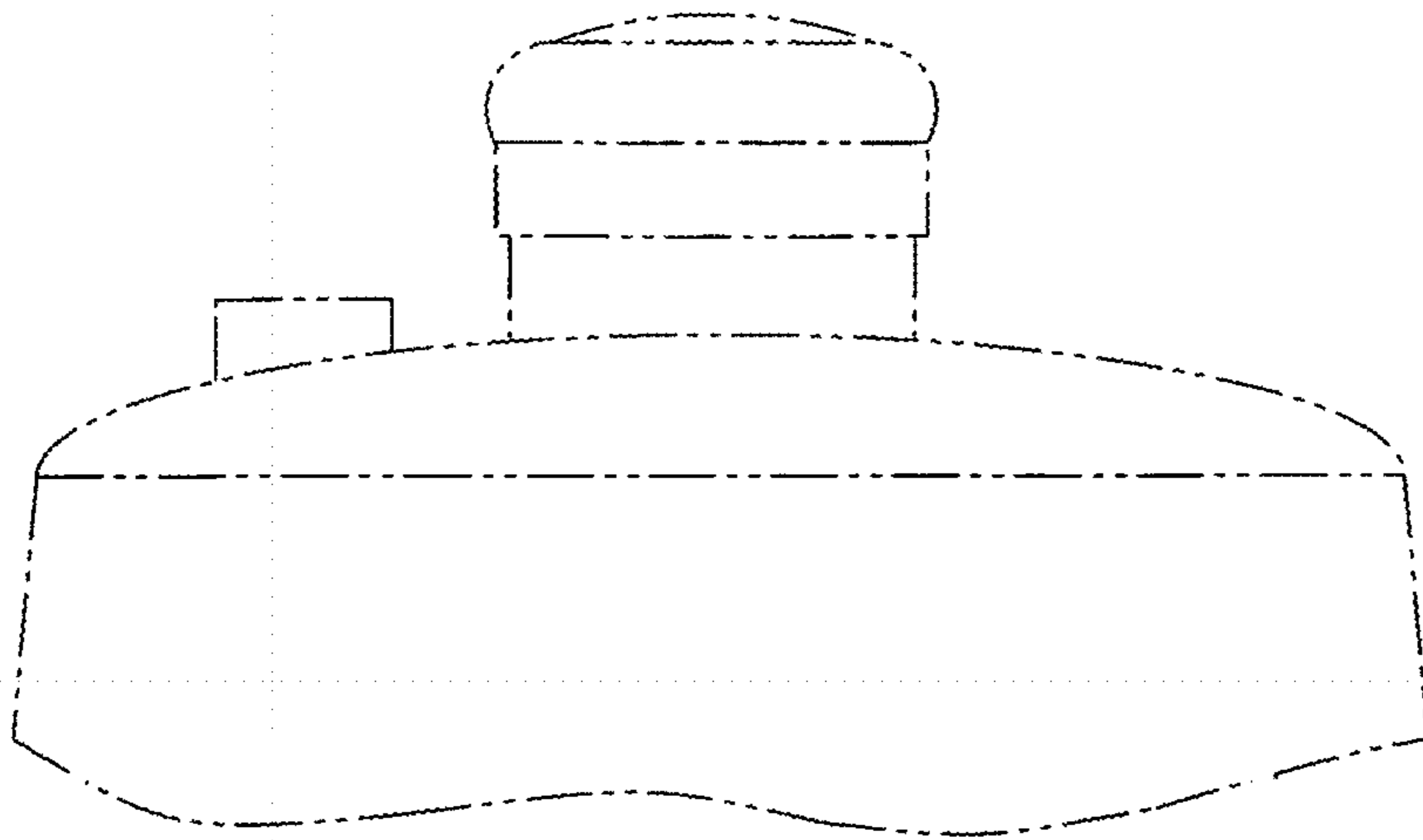
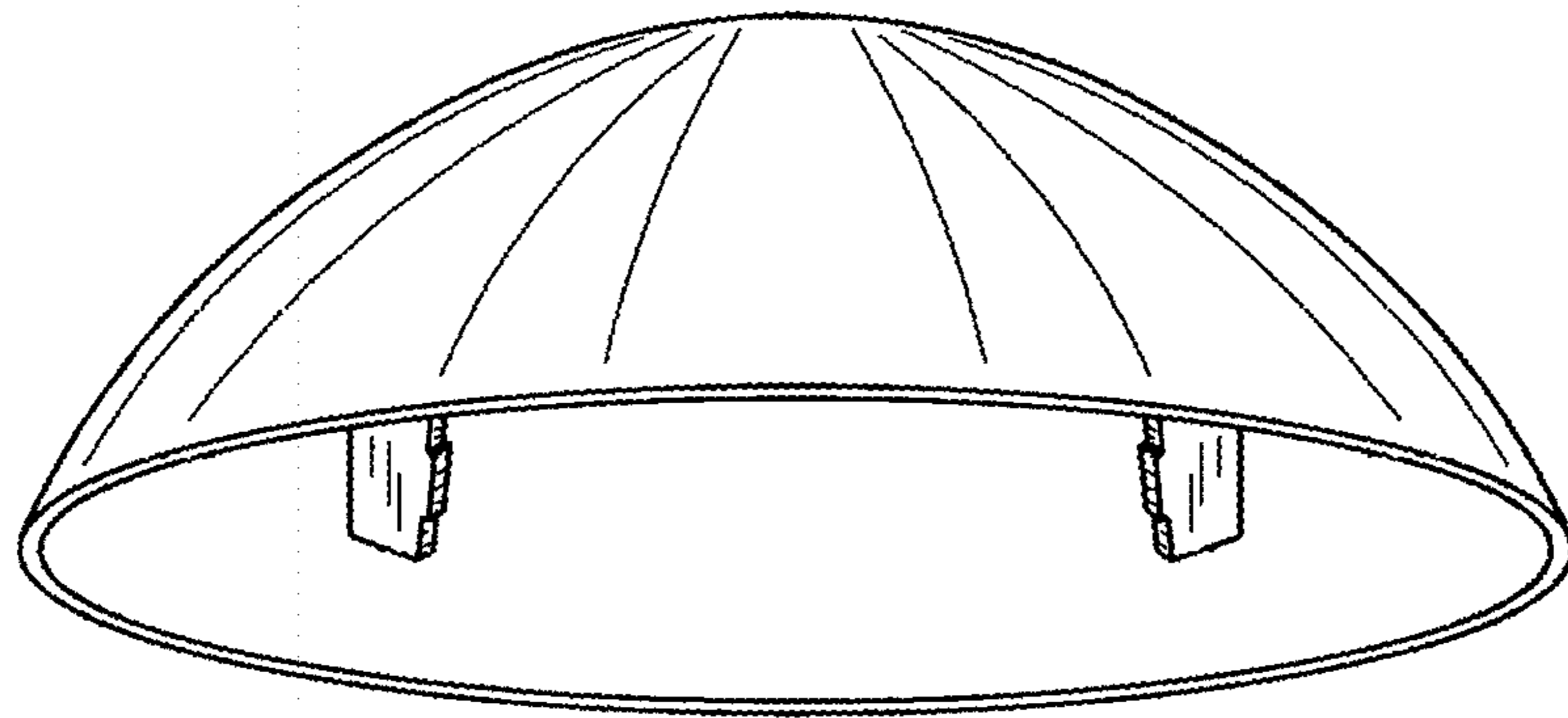


FIG. 7