



US00D950379S

(12) **United States Design Patent** (10) **Patent No.:** **US D950,379 S**
Liston et al. (45) **Date of Patent:** **** May 3, 2022**

- (54) **PUMP FOR PACKAGING CONTAINERS**
- (71) Applicants: **Brenan Patrick Liston**, Surry Hills (AU); **Emiko Takemoto**, Tokyo (JP)
- (72) Inventors: **Brenan Patrick Liston**, Surry Hills (AU); **Emiko Takemoto**, Tokyo (JP)
- (**) Term: **15 Years**
- (21) Appl. No.: **29/730,081**
- (22) Filed: **Apr. 1, 2020**
- (51) **LOC (13) Cl.** **09-07**
- (52) **U.S. Cl.**
USPC **D9/448**
- (58) **Field of Classification Search**
USPC D7/387, 391, 392, 392.1, 396.1, 396.2, D7/397, 398, 401.1, 415; D9/503, 504, D9/505, 516, 529, 548, 549, 434, 435, D9/436, 439, 440, 448, 453, 454, 726, D9/695, 696, 707, 708, 712, 447, 723, D9/724, 727; D19/115, 192, 194; D23/213, 226, 249, 255; D24/111, 112, D24/119, 127, 130, 141, 169, 193, 194, D24/196, 197, 199, 222, 224; D27/194
CPC B65D 47/103; B65D 43/0222; B65D 2543/00046; B65D 2543/00092; B65D 25/48; A47G 19/2272; B65B 1/04; B65B 29/06; B05B 11/3059; B05B 11/0027; B05B 11/0032; B05B 11/3004; B05B 11/3015; B05B 11/306; B05B 11/3064; G03B 11/041; F16M 11/08; A61J 1/06; A61J 1/065; A61J 1/2093; A61J 1/201
See application file for complete search history.

D539,142 S *	3/2007	Butler	D9/448
D580,760 S *	11/2008	Costa Quintas	D9/448
D589,795 S *	4/2009	Sweeton	D9/448
D652,299 S *	1/2012	Taylor	D9/448
D666,870 S *	9/2012	Nyambi	D7/398
D678,065 S *	3/2013	Baranowski	D9/448
D688,562 S *	8/2013	Baranowski	D9/685
D702,123 S *	4/2014	Sweeton	D9/448
D705,060 S *	5/2014	Wang	B05B 11/3057
				D9/448
D710,697 S *	8/2014	Lind	D9/448
D734,151 S *	7/2015	Herbst	D9/448
D746,135 S *	12/2015	Lind	D9/448
D758,878 S *	6/2016	Hoeke	D9/682

(Continued)

OTHER PUBLICATIONS

Pacific Packaging Components: Site Visited [Apr. 20, 2021]. Available from Internet URL: <https://www.ppcpackaging.com/pcr-packaging>.*

Primary Examiner — Catherine S Posthauer
(74) *Attorney, Agent, or Firm* — Boag Law, PLLC

(57) **CLAIM**

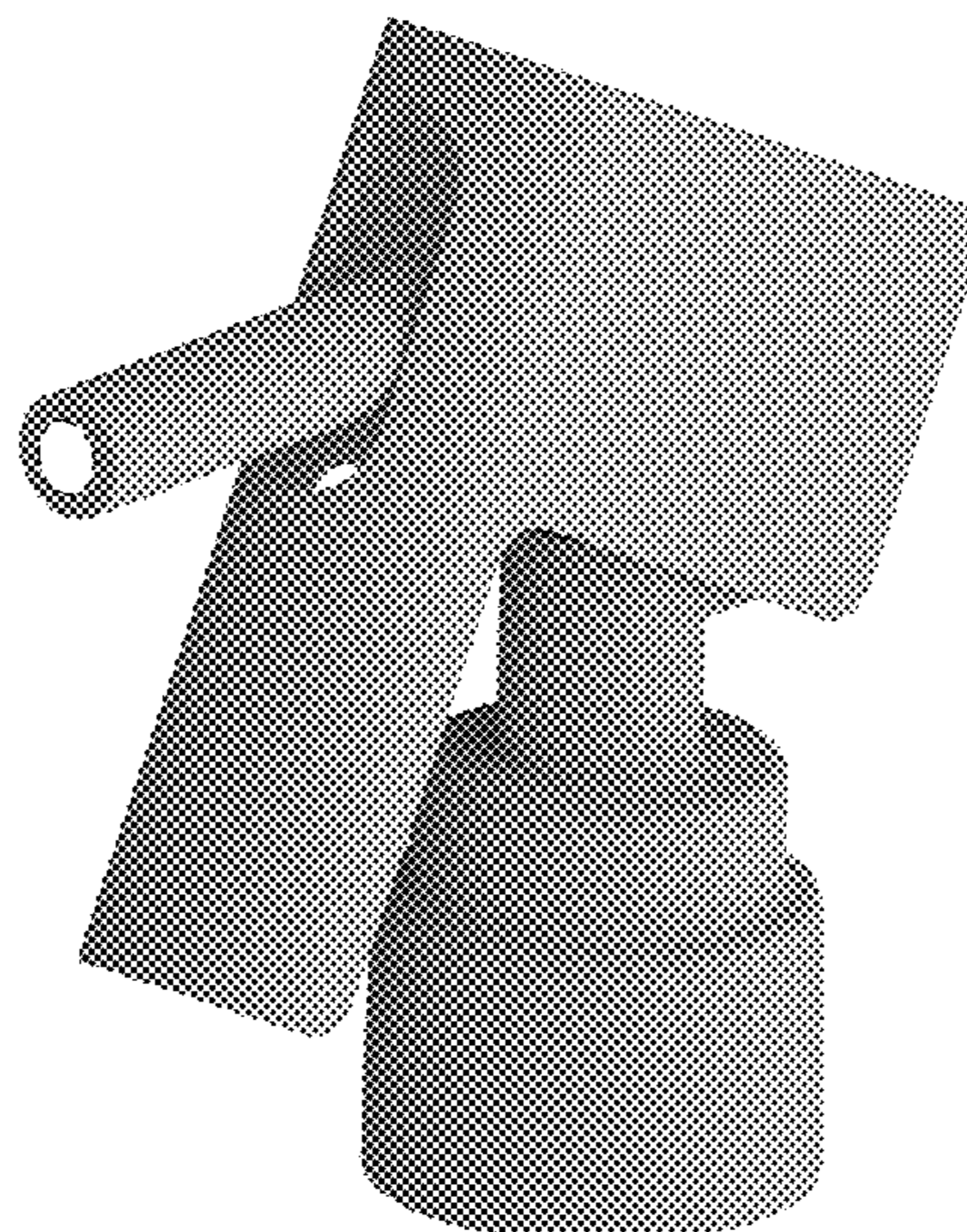
The ornamental design for a pump for packaging containers, as shown and described.

DESCRIPTION

FIG. 1 is a front view of a pump for packaging containers showing the new design;
FIG. 2 is a rear view thereof;
FIG. 3 is a right side view thereof;
FIG. 4 is a left side view thereof;
FIG. 5 is a top plan view thereof;
FIG. 6 is a bottom plan view thereof; and,
FIG. 7 is a perspective view thereof.
The evenly broken lines are shown for the purpose of illustrating parts of the article that form no part of the claim. The dot-dash lines represent the boundaries of the claim and form no part thereof.

1 Claim, 7 Drawing Sheets

- (56) **References Cited**
U.S. PATENT DOCUMENTS
D445,670 S * 7/2001 De Baschmakoff D9/682
D525,123 S * 7/2006 Walters B05B 11/3057
D9/448



(56)

References Cited

U.S. PATENT DOCUMENTS

D761,650	S *	7/2016	Hoeke	D9/448
D794,451	S *	8/2017	Boyne	D9/448
D808,265	S *	1/2018	Bloc	D9/448
D866,326	S *	11/2019	Tu	D9/448
D867,136	S *	11/2019	Tu	D9/448
D873,137	S *	1/2020	Takizawa	D9/448
D905,553	S *	12/2020	Lo	D9/448
2004/0245208	A1 *	12/2004	Dennison	B65D 1/023 215/379
2006/0113329	A1 *	6/2006	Walters	B05B 11/3057 222/383.1
2006/0138176	A1 *	6/2006	Lasserre	B05B 11/3057 222/321.8
2007/0119870	A1 *	5/2007	Lasserre	B05B 11/3059 222/321.8
2008/0315018	A1 *	12/2008	Withers	B05B 11/0037 239/526
2009/0127293	A1 *	5/2009	De Laforcade	B05B 11/3059 222/402.11
2010/0140299	A1 *	6/2010	Sweeton	B05B 11/303 222/207

* cited by examiner

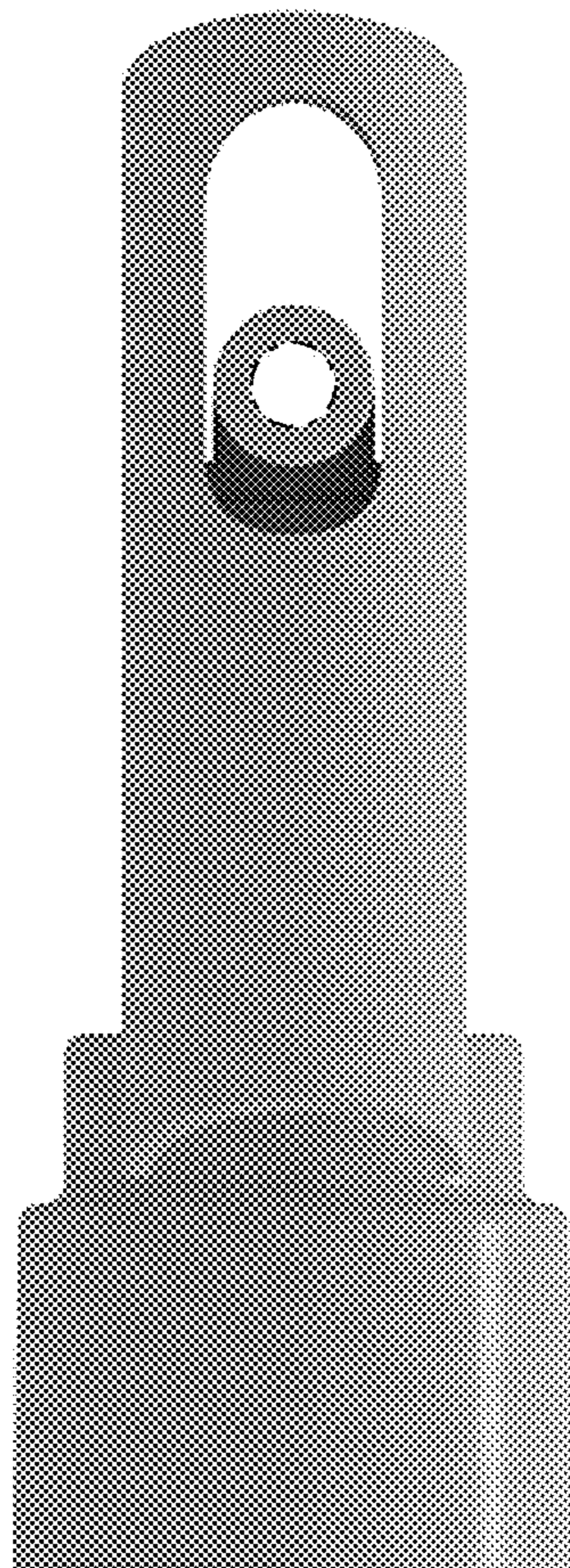


FIG. 1

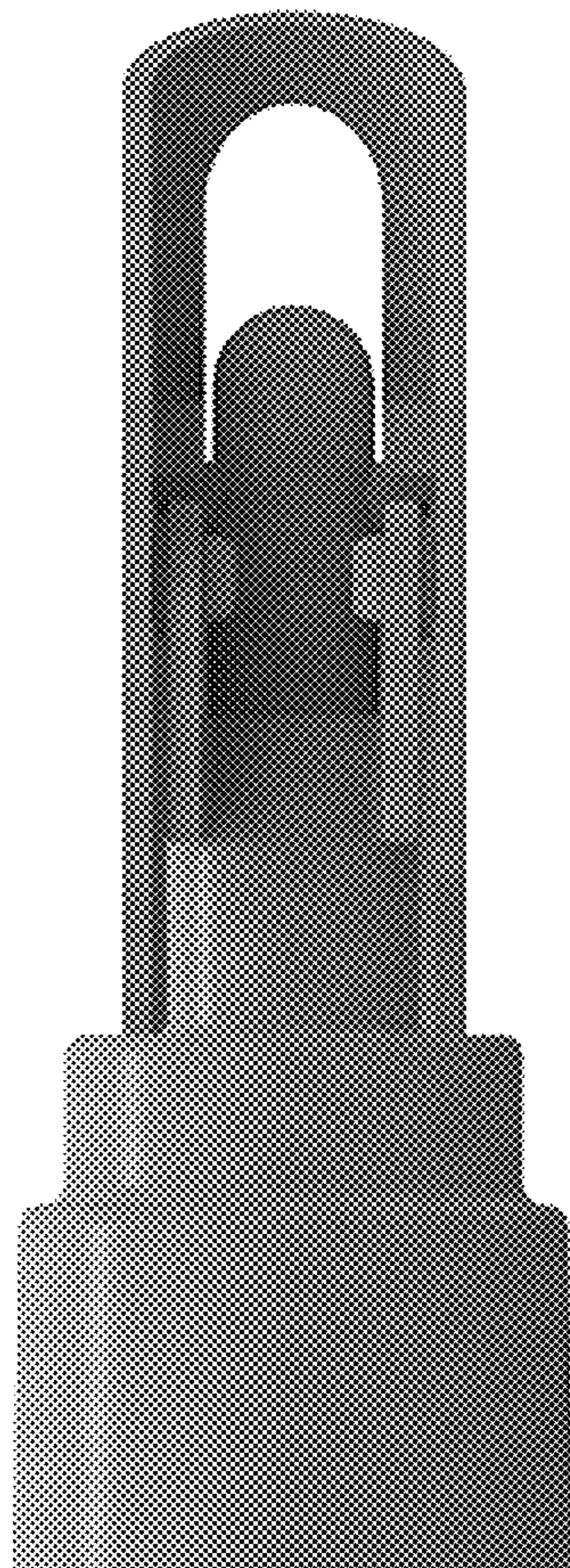


FIG. 2

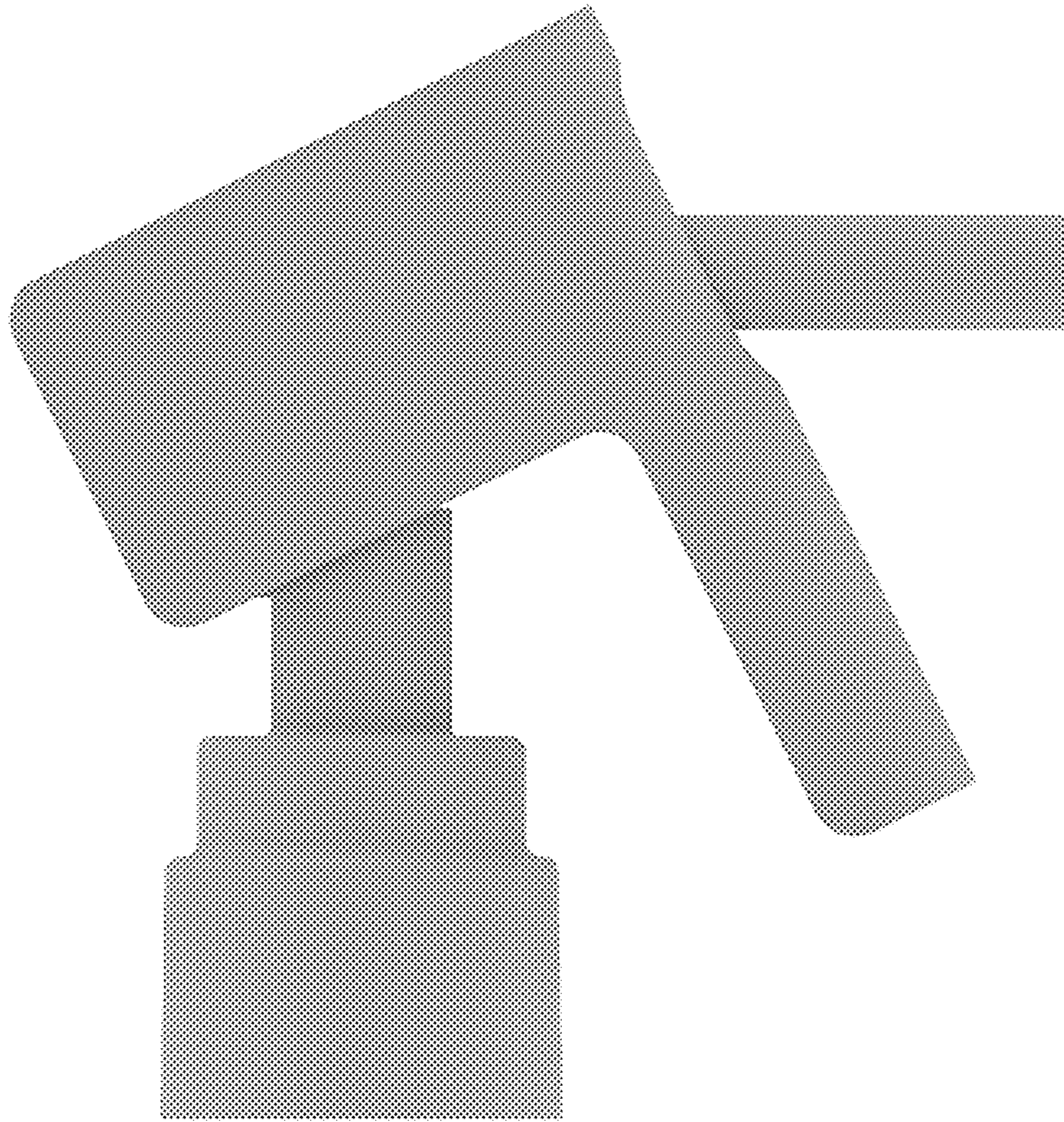


FIG. 3



FIG. 4

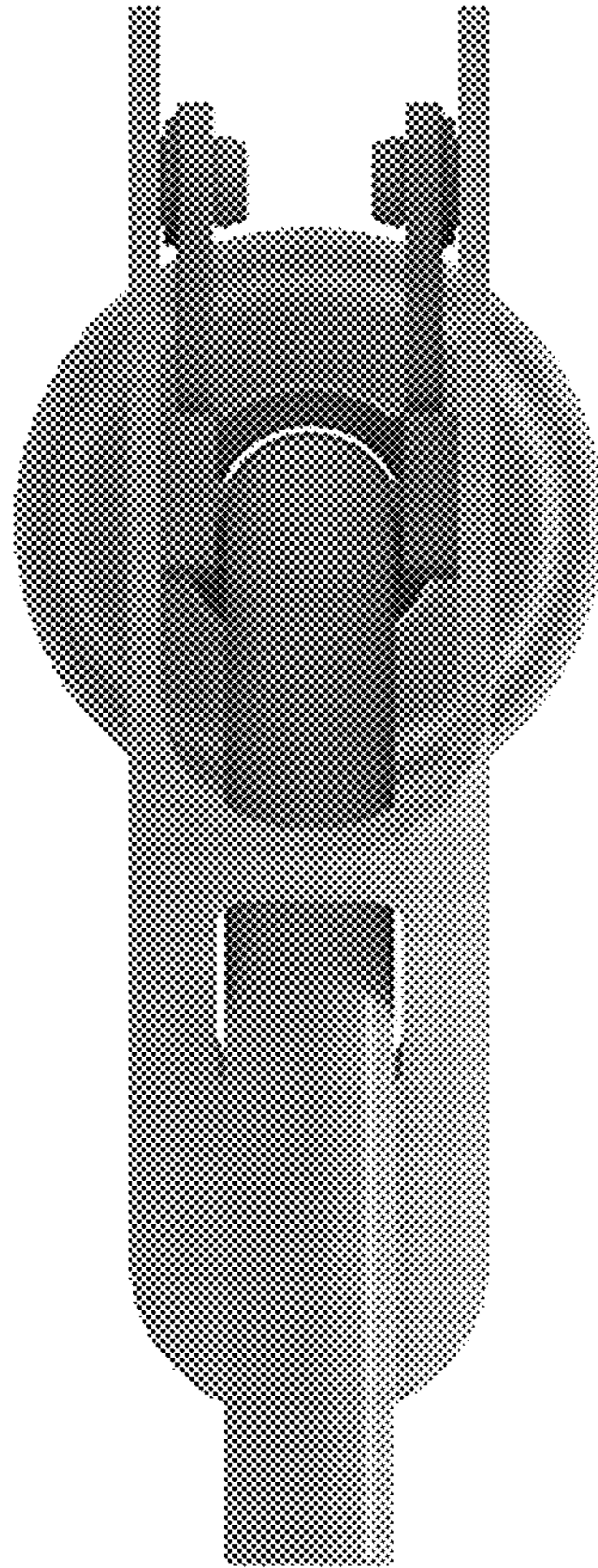


FIG. 5

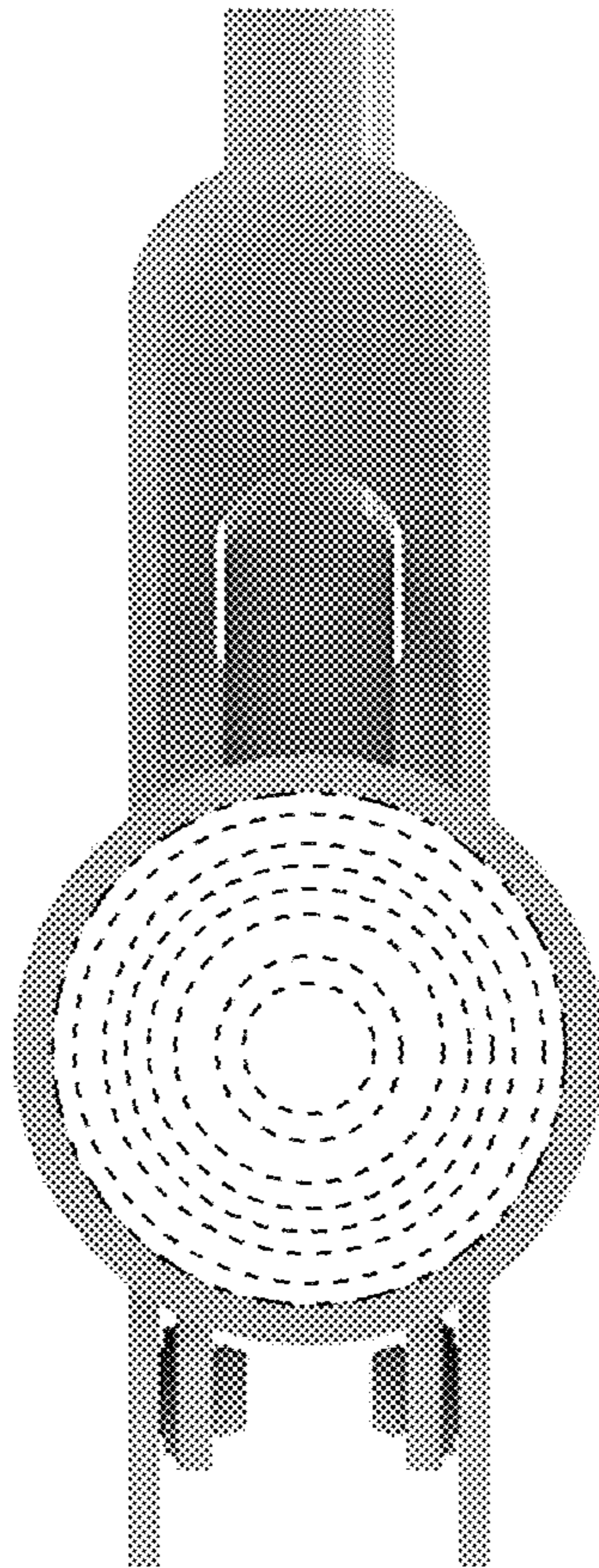


FIG. 6

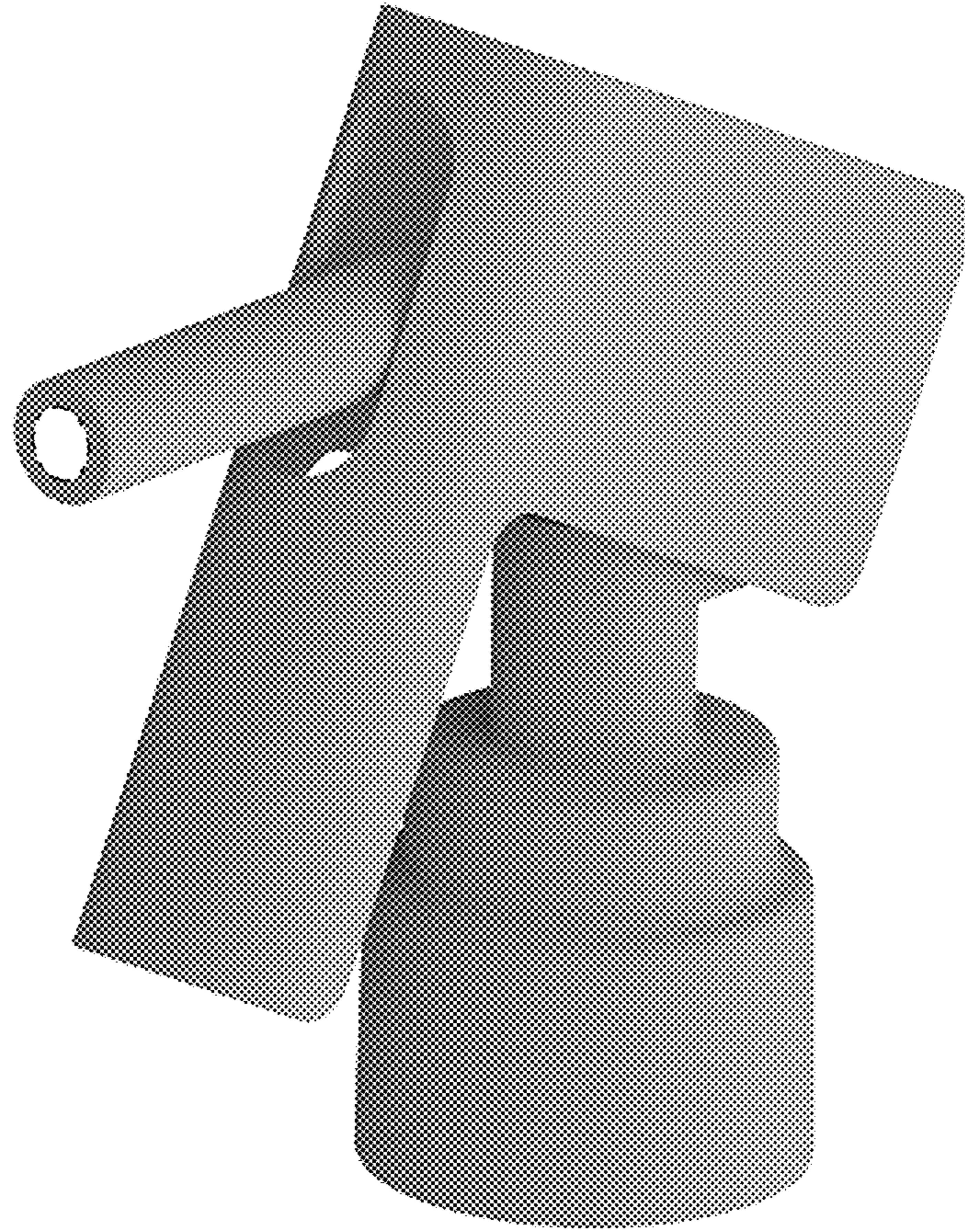


FIG. 7