



US00D950378S

(12) **United States Design Patent**
Esnaashari

(10) **Patent No.:** **US D950,378 S**

(45) **Date of Patent:** **** May 3, 2022**

- (54) **CANDLE CONTAINER LID**
- (71) Applicant: **LEONE International Trading Inc.,**
Richmond Hill (CA)
- (72) Inventor: **Sara Esnaashari, Toronto (CA)**
- (73) Assignee: **LEONE International Trading Inc.,**
Richmond Hill (CA)
- (**) Term: **15 Years**
- (21) Appl. No.: **29/652,293**
- (22) Filed: **Jul. 10, 2020**
- (51) **LOC (13) Cl.** **09-07**
- (52) **U.S. Cl.**
USPC **D9/439; D9/443**
- (58) **Field of Classification Search**
USPC D3/12, 16, 17; D7/393, 394, 396, 397,
D7/398, 387, 391, 392.1, 396.1, 396.2,
D7/401.1, 402, 507, 511, 538, 388;
D9/434, 435, 436, 438, 439, 440, 445,
D9/446, 447, 454; D23/209, 233, 238,
D23/259, 260, 261; D26/22, 23; D34/7,
D34/10, 11
CPC ... B01L 3/50825; B01L 9/00; B65D 81/2038;
B65D 81/20; A61J 1/1418; A61J 1/14;
A61J 1/1406; A61J 1/1412; A61M
1/0001; A61M 1/0003; A61M 1/0011;
B65B 31/00; B65B 55/10; B67C 11/02
See application file for complete search history.

(56) **References Cited**

U.S. PATENT DOCUMENTS

- D3,671 S * 9/1869 Livingston D9/439
- 425,113 A * 4/1890 Susemihl A47K 1/14
4/295
- 506,872 A * 10/1893 Chase E03C 1/264
4/292
- D25,726 S * 6/1896 Leonard D7/391
- D30,762 S * 5/1899 Brown D7/391

- 1,370,170 A * 3/1921 Ullman A47K 1/14
4/295
- 2,801,021 A * 7/1957 Wood A47K 1/14
220/233
- D457,392 S * 5/2002 Joergensen D7/402
- 2007/0215624 A1 * 9/2007 Smallwood B65D 81/245
220/578

OTHER PUBLICATIONS

ESNA Candles: Announced Aug. 12, 2019 [online]. Site Visited [Nov. 1, 2021]. Available from Internet URL: <https://www.amazon.com/dp/B07WGC572H?th=1>.*

* cited by examiner

Primary Examiner — Catherine S Posthauer

(74) *Attorney, Agent, or Firm* — Bhole IP Law; Anil Bhole; Marc Lampert

(57) **CLAIM**

The ornamental design for a candle container lid, as shown and described.

DESCRIPTION

FIG. 1 is a top perspective view of a candle container lid, showing our new design, shown in a position of use with an exemplary candle container;

FIG. 2 is a top side perspective view of the candle container lid thereof;

FIG. 3 is a top view of the candle container lid;

FIG. 4 is a front view of the candle container lid thereof, shown with the exemplary candle container removed;

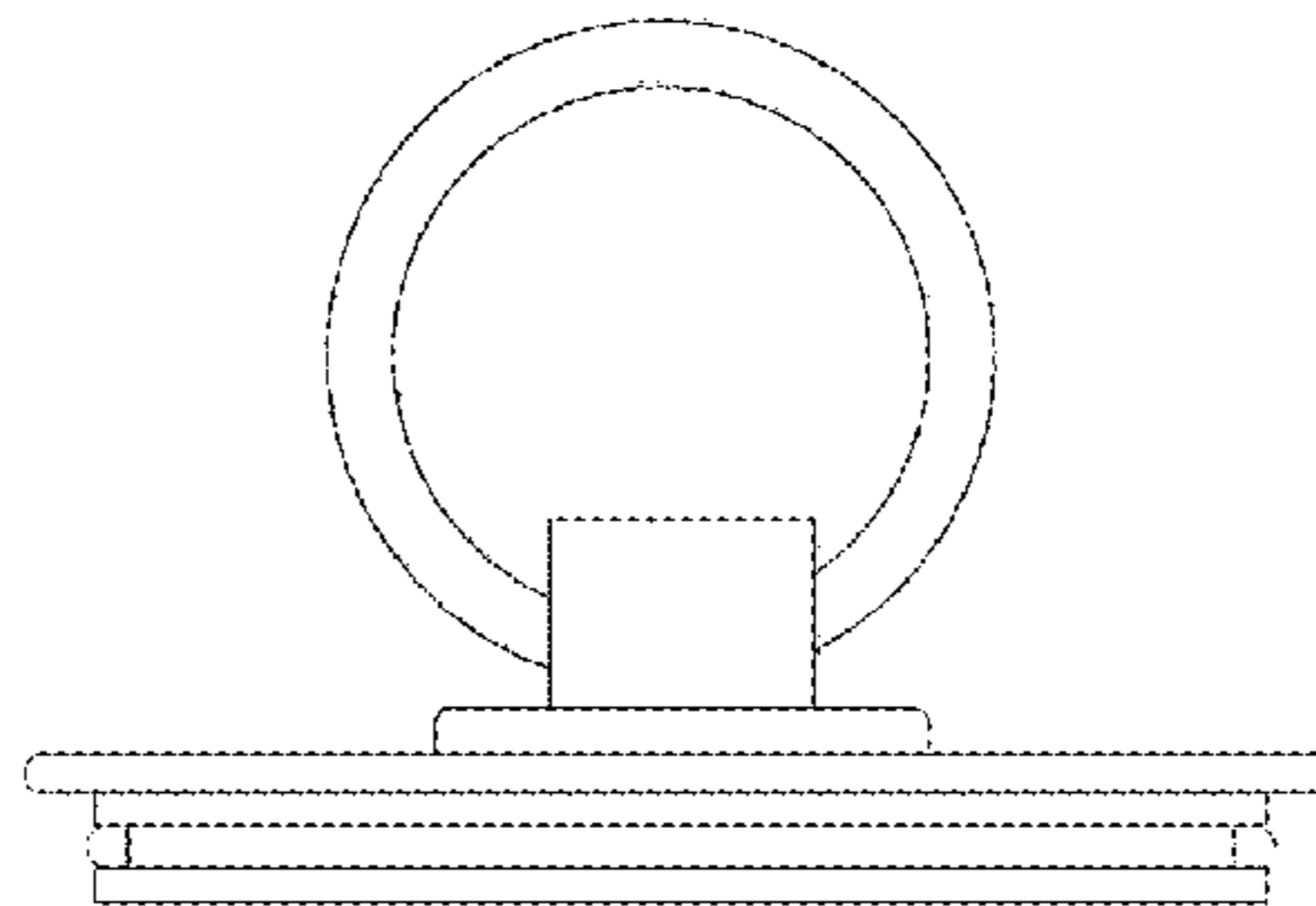
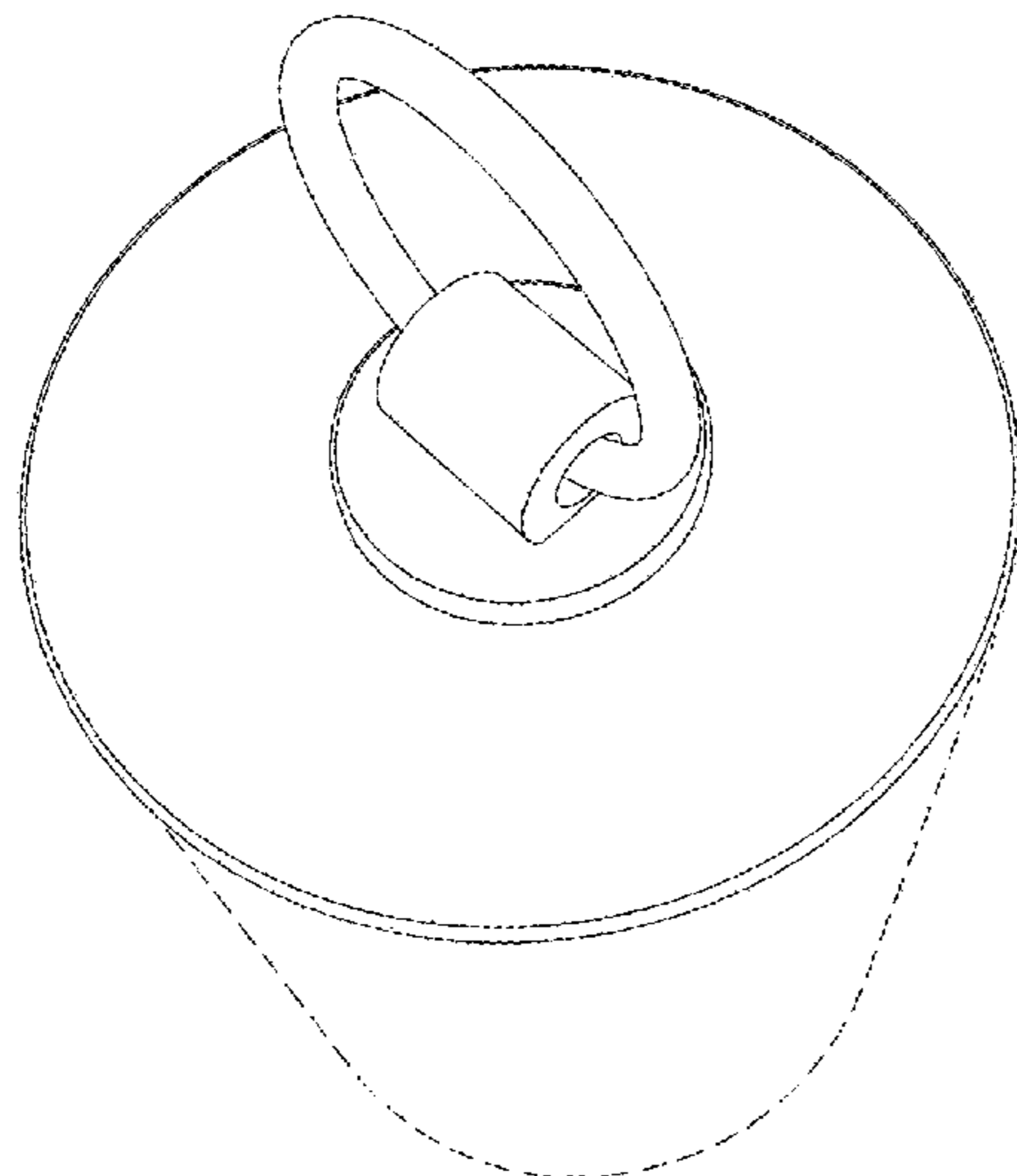
FIG. 5 is a side view of the candle container lid thereof;

FIG. 6 is an exploded top perspective view of the candle container lid, shown in use with the exemplary candle container; and,

FIG. 7 is an exploded bottom perspective view of the candle container lid thereof.

The broken lines are shown for the purpose of illustrating environmental subject matter of an exemplary candle container and form no part of the claimed design.

1 Claim, 7 Drawing Sheets



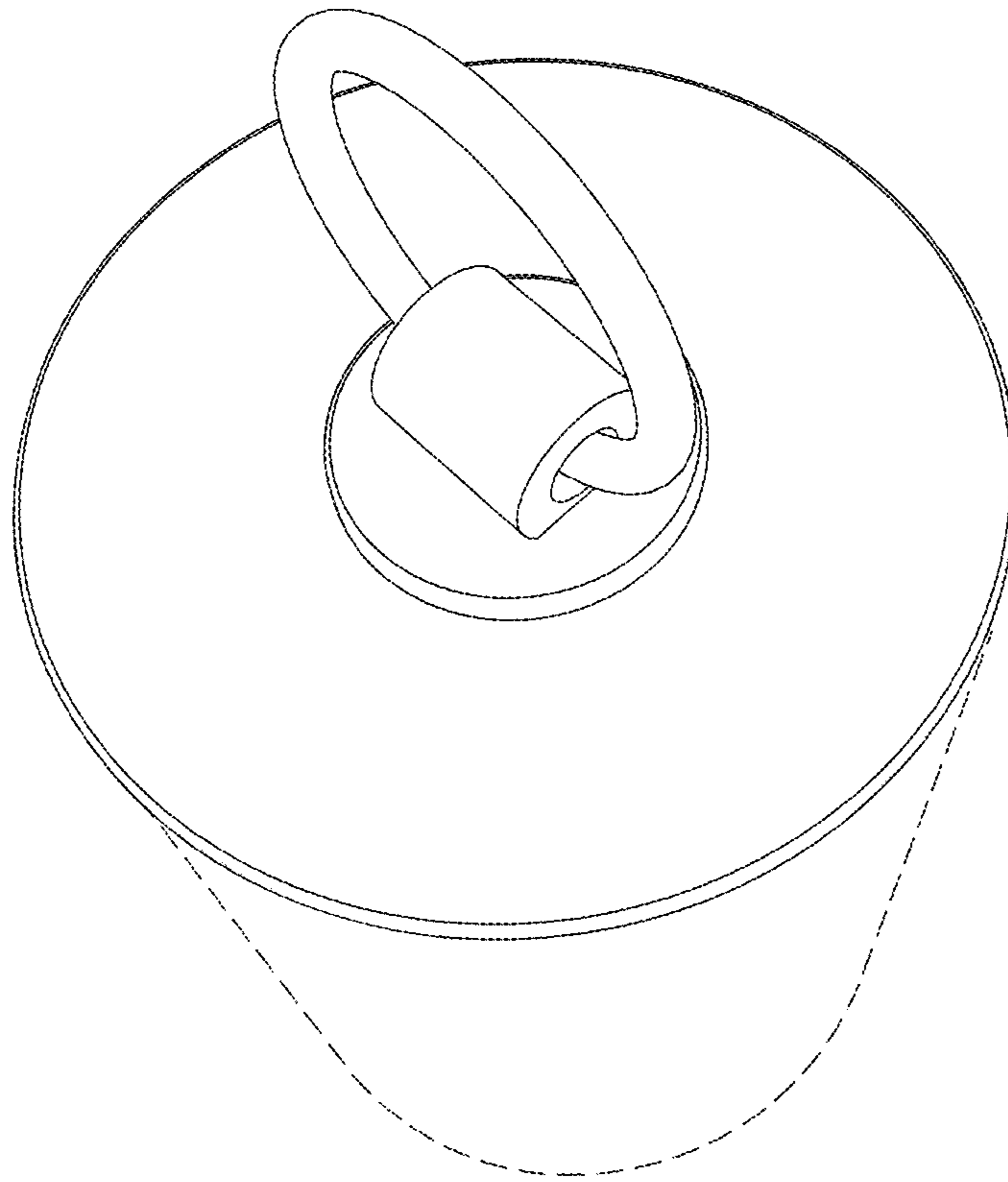


FIG. 1

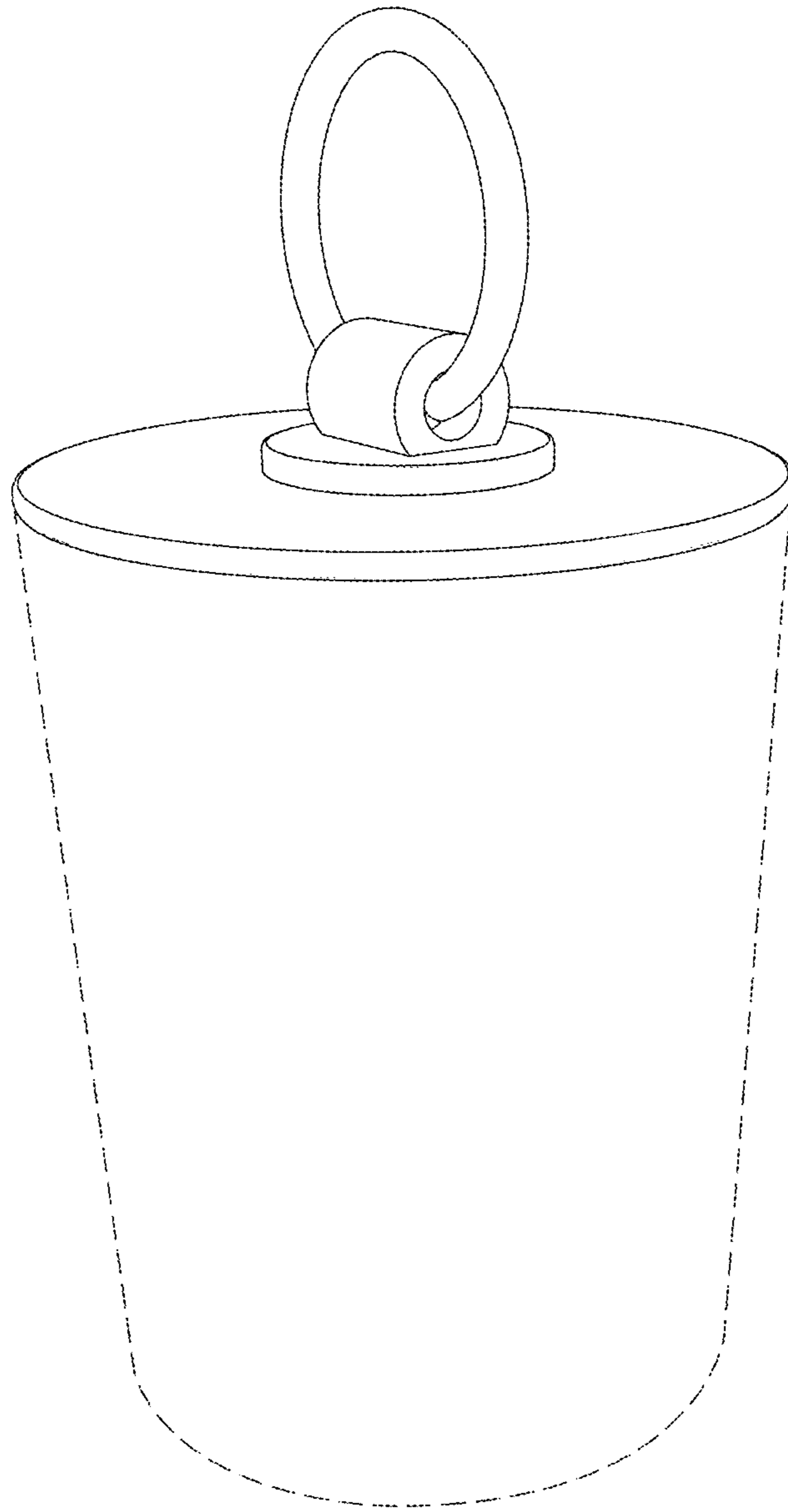


FIG. 2

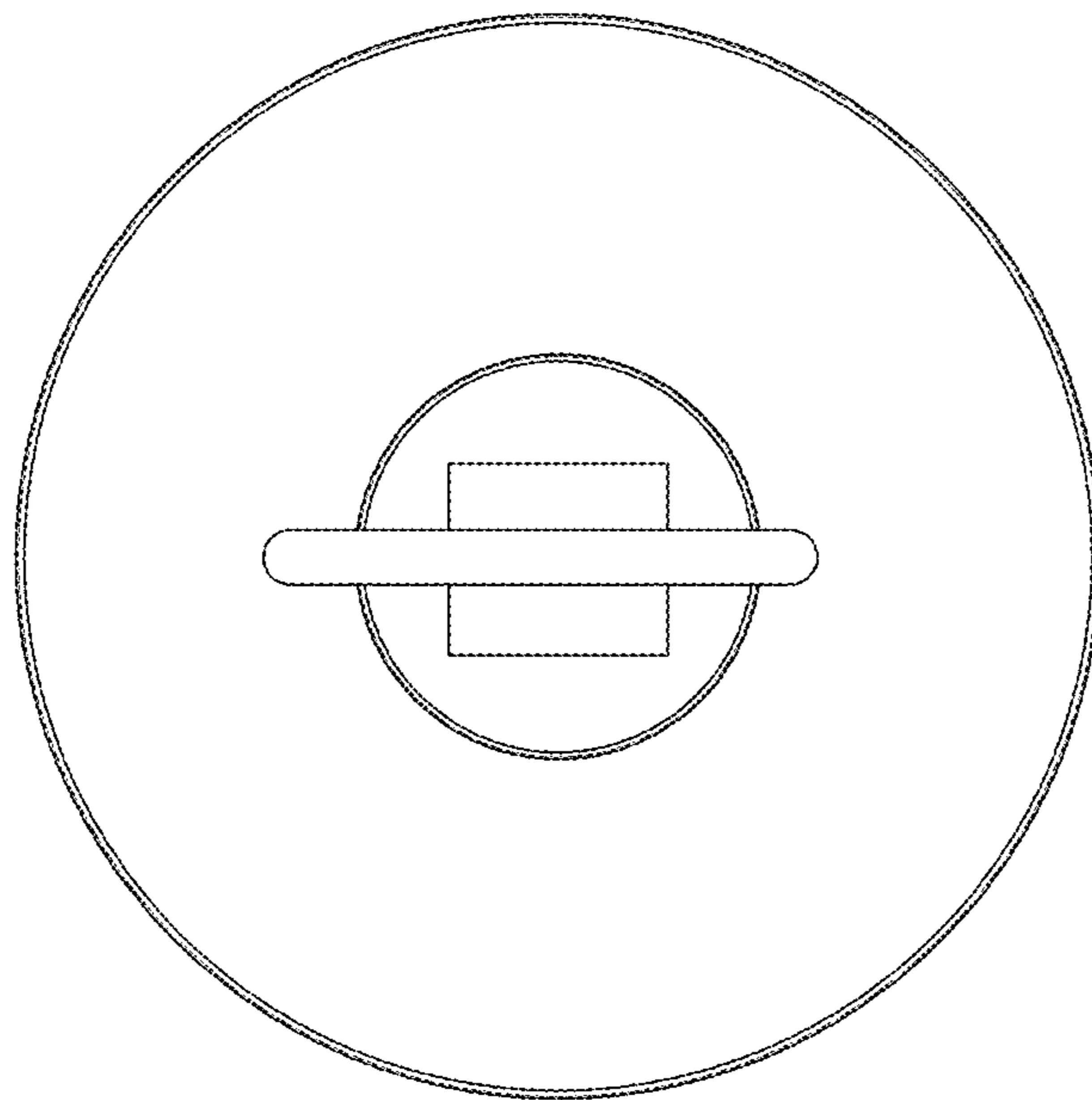


FIG. 3

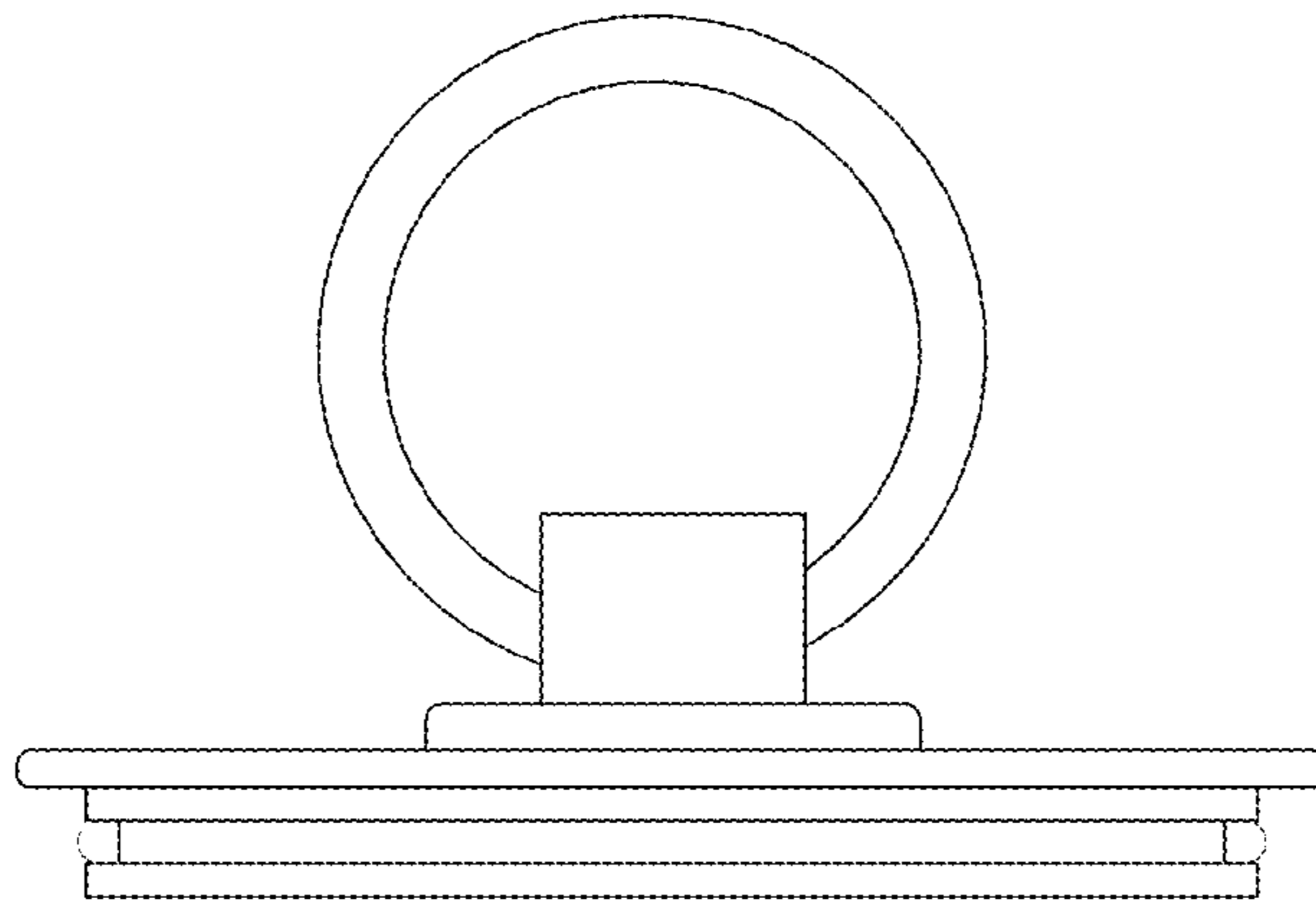


FIG. 4

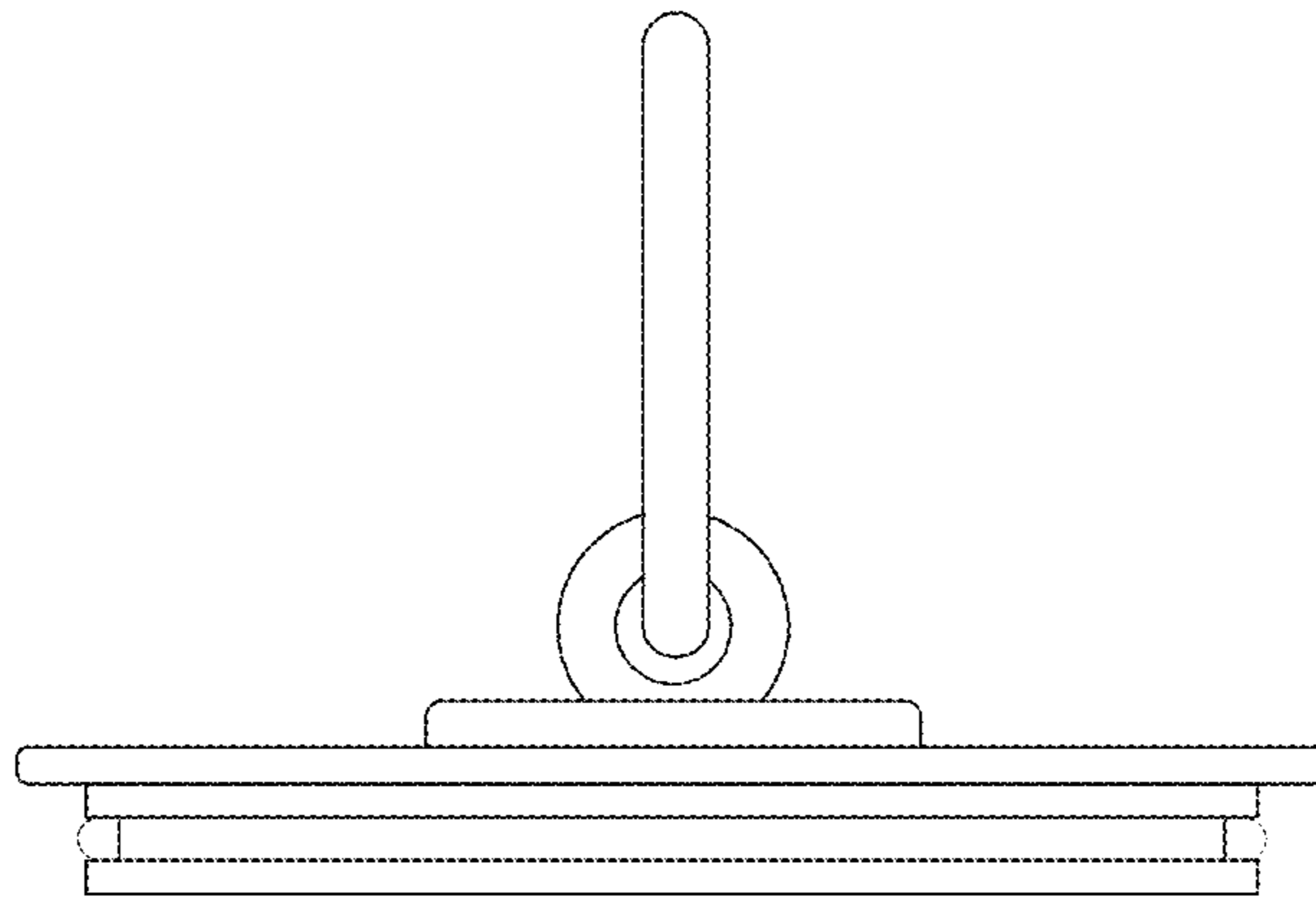


FIG. 5

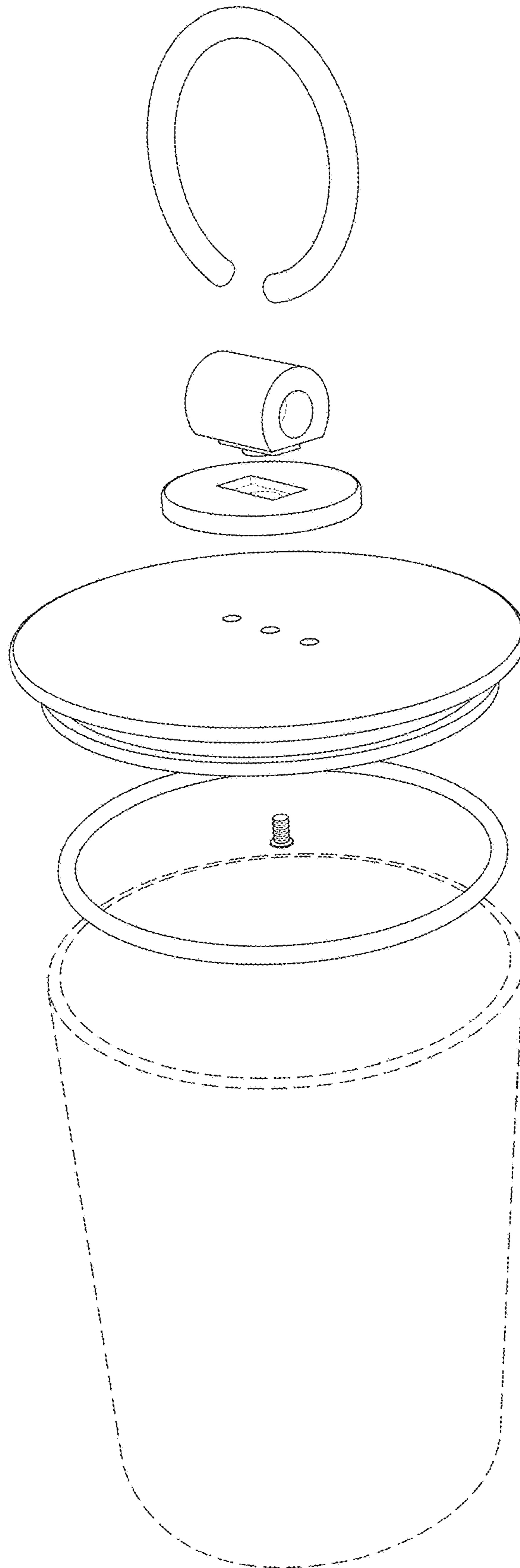


FIG. 6

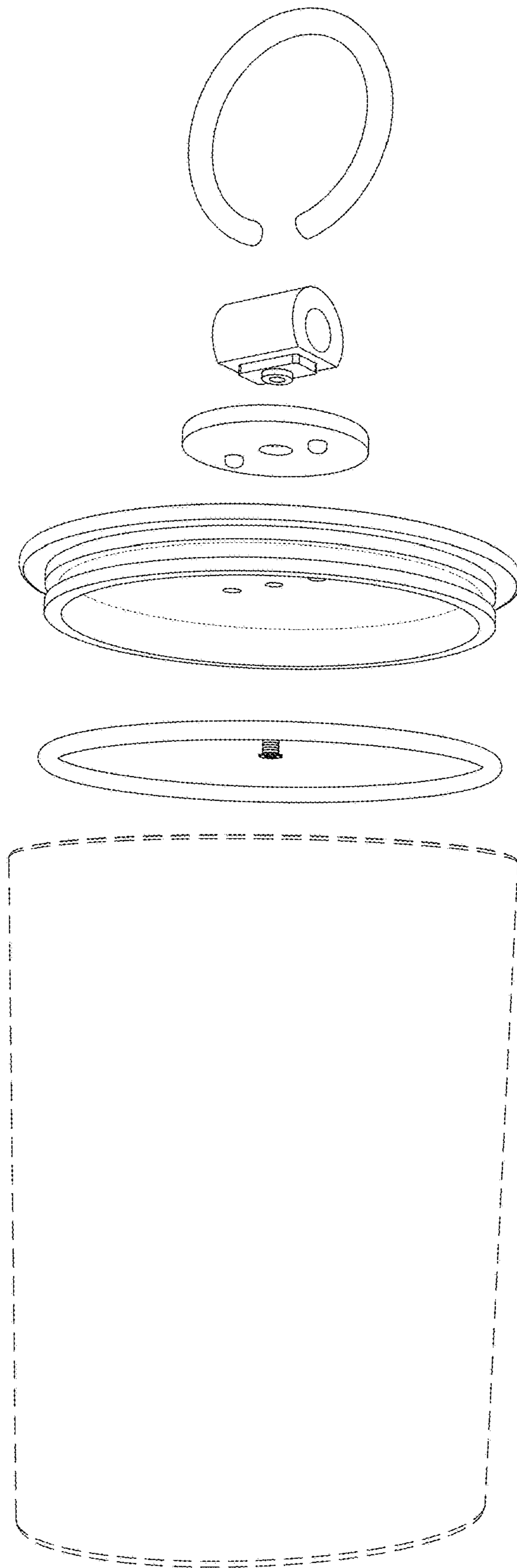


FIG. 7