



US00D950373S

(12) **United States Design Patent**
Wang

(10) **Patent No.:** **US D950,373 S**

(45) **Date of Patent:** **** May 3, 2022**

(54) **FOLDING GIFT BOX**

(71) Applicant: **Tao Wang**, Anqing (CN)

(72) Inventor: **Tao Wang**, Anqing (CN)

(**) Term: **15 Years**

(21) Appl. No.: **29/794,693**

(22) Filed: **Jun. 15, 2021**

(51) **LOC (13) Cl.** **09-03**

(52) **U.S. Cl.**

USPC **D9/420**

(58) **Field of Classification Search**

USPC D9/420, 432, 661, 422, 635, 419, 418;
D3/271.1

CPC B65D 5/4262; B65D 5/06; B65D 5/0254;
B42D 15/042; A41G 1/04

See application file for complete search history.

(56) **References Cited**

U.S. PATENT DOCUMENTS

727,723	A *	5/1903	Webb	B65D 5/0254
					47/72
D163,344	S *	5/1951	Weisberg	D9/635
D184,589	S *	3/1959	Vuilleminot	D9/420
D244,749	S *	6/1977	Hodges	D9/635
4,185,767	A *	1/1980	Sykora	B65D 5/06
					428/542.2
D261,617	S *	11/1981	Austin, Jr.	D9/432
4,726,509	A *	2/1988	Fonas	B65D 5/4262
					D9/635
4,937,106	A *	6/1990	Eliason	A41G 1/04
					28/150
5,452,846	A *	9/1995	Myers	B65D 5/4262
					229/117.14
5,558,272	A *	9/1996	Magister	B65D 5/06
					229/138
D410,196	S *	5/1999	Berg	D9/432

D463,269	S *	9/2002	Gatti	D9/661
D464,261	S *	10/2002	Hereth	D9/422
D503,884	S *	4/2005	Camilleri-Oller	D9/419
D507,178	S *	7/2005	Biddlecom	D9/422
D508,649	S *	8/2005	Ruiland	D9/422
D696,514	S *	12/2013	McAdam	D3/271.1
D699,563	S *	2/2014	McAdam	D9/418
9,830,836	B1 *	11/2017	Bowen	B42D 15/042
D842,119	S *	3/2019	Delao	D9/432
D860,778	S *	9/2019	Dwork	D9/418
D876,219	S *	2/2020	Martin	D9/432
D894,728	S *	9/2020	Dwork	D9/420
D911,835	S *	3/2021	Cheng	D9/420

* cited by examiner

Primary Examiner — Rhea Shields

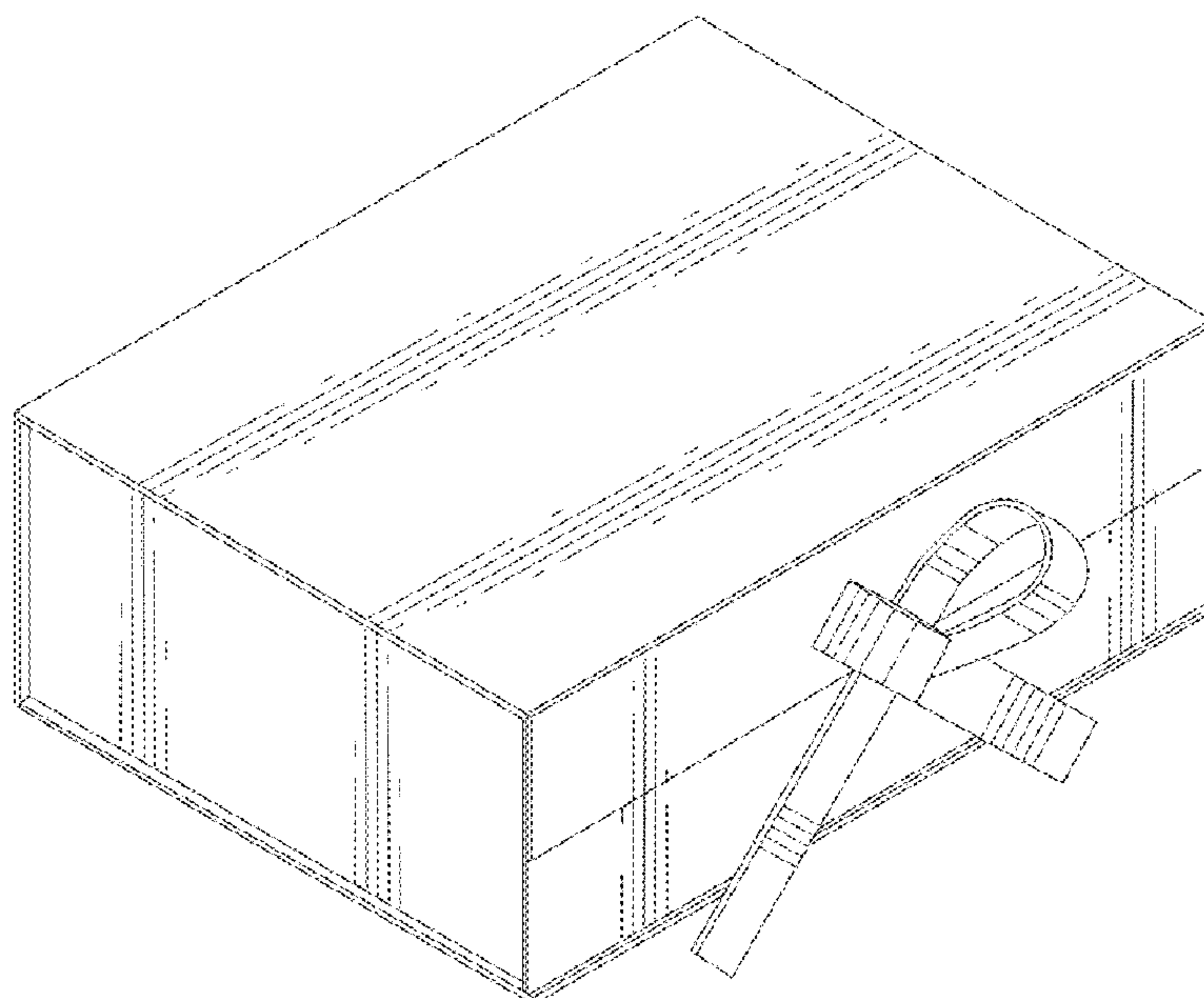
(57) **CLAIM**

The ornamental design for a folding gift box, as shown and described.

DESCRIPTION

FIG. 1 is a front and top perspective view of a folding gift box, showing, my new design;
 FIG. 2 is a front and top perspective view thereof;
 FIG. 3 is another front and top perspective view thereof, shown in an open position;
 FIG. 4 is another perspective view thereof shown in an open position;
 FIG. 5 is another perspective view thereof, shown in an unfolded position;
 FIG. 6 is a rear and bottom perspective view thereof;
 FIG. 7 is a front elevation view thereof;
 FIG. 8 is a rear elevation view thereof;
 FIG. 9 is a left side elevation view thereof;
 FIG. 10 is a right side elevation view thereof;
 FIG. 11 is a top plan view thereof; and,
 FIG. 12 is a bottom plan view thereof.

1 Claim, 12 Drawing Sheets



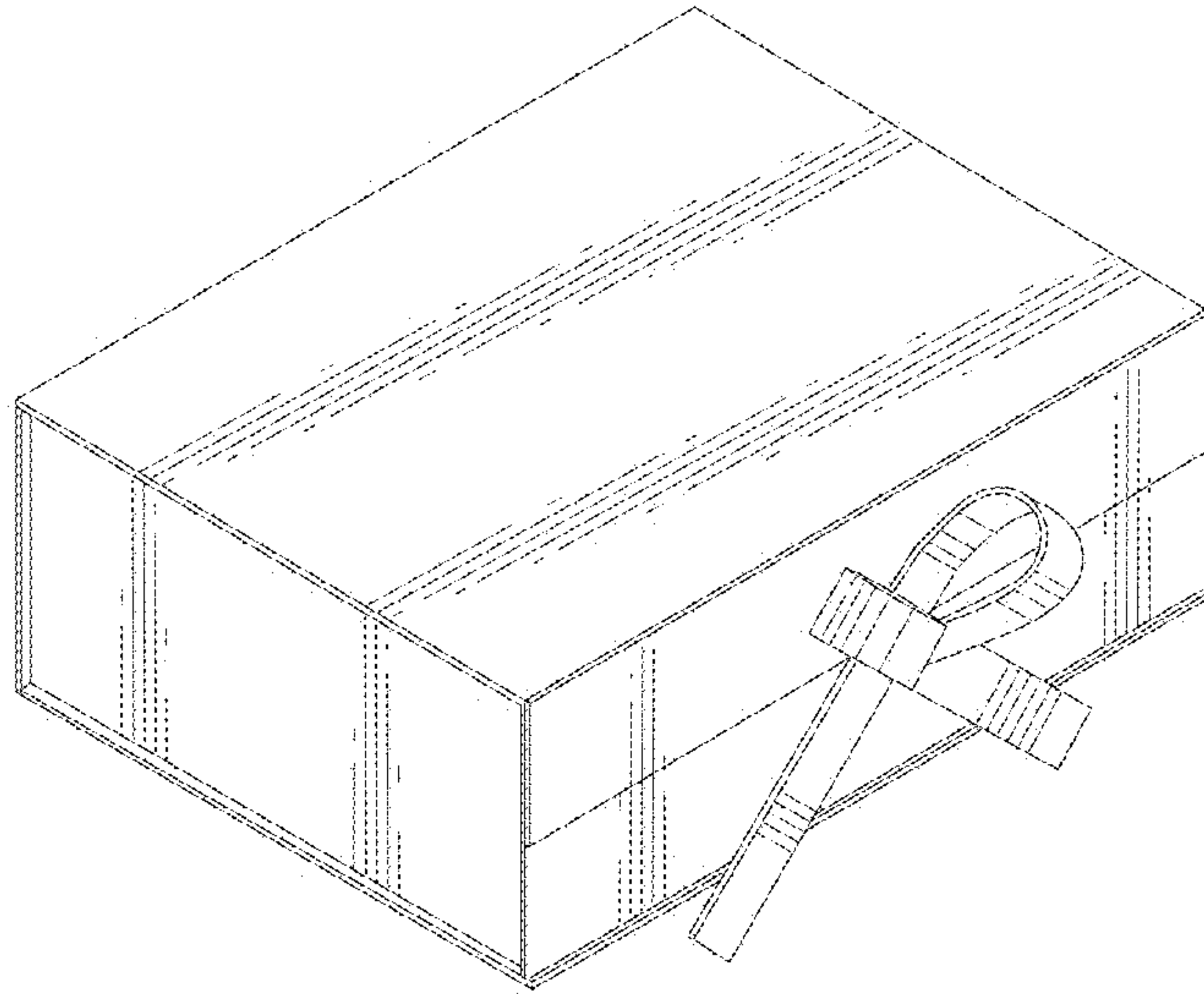


FIG. 1

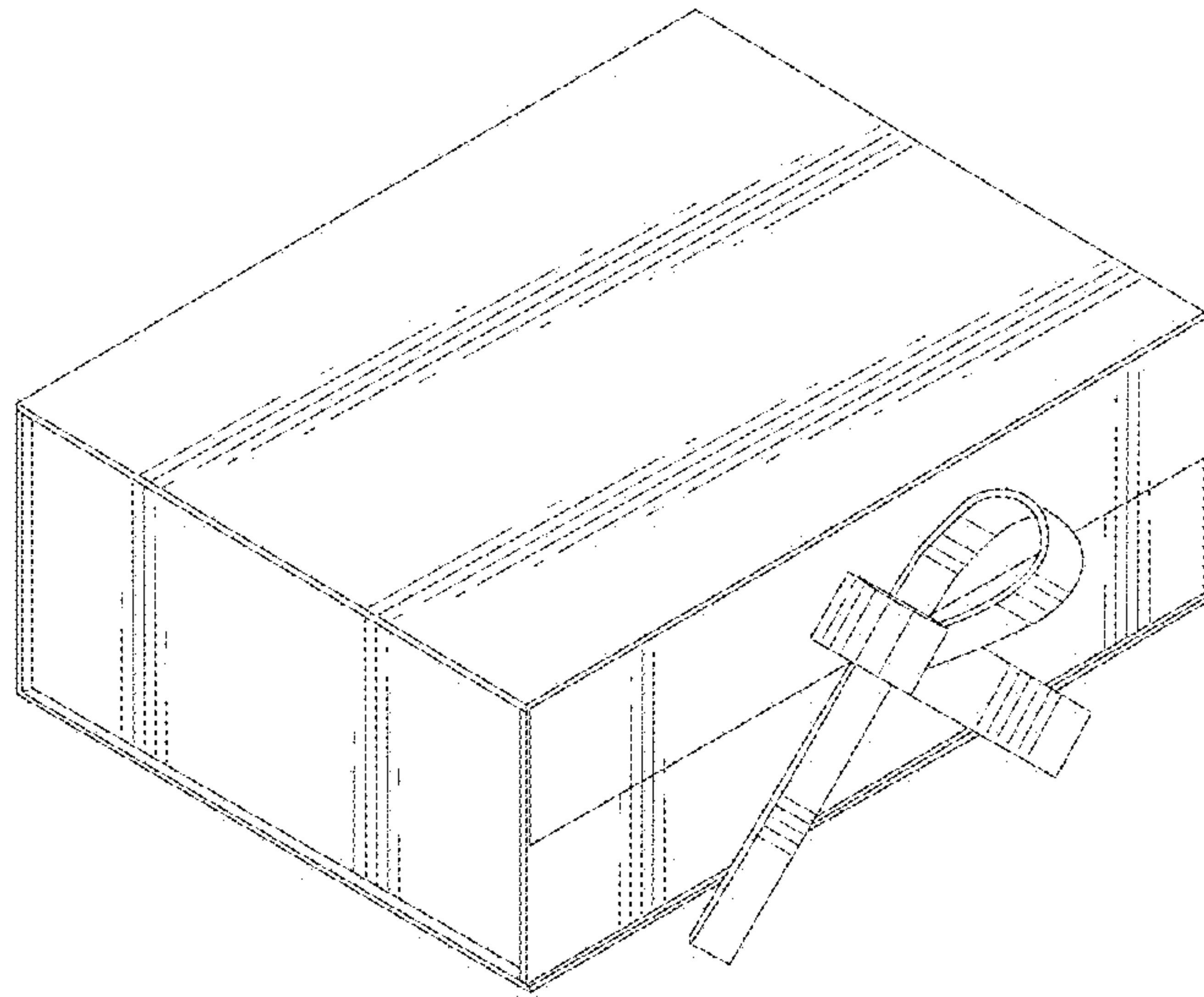


FIG.2

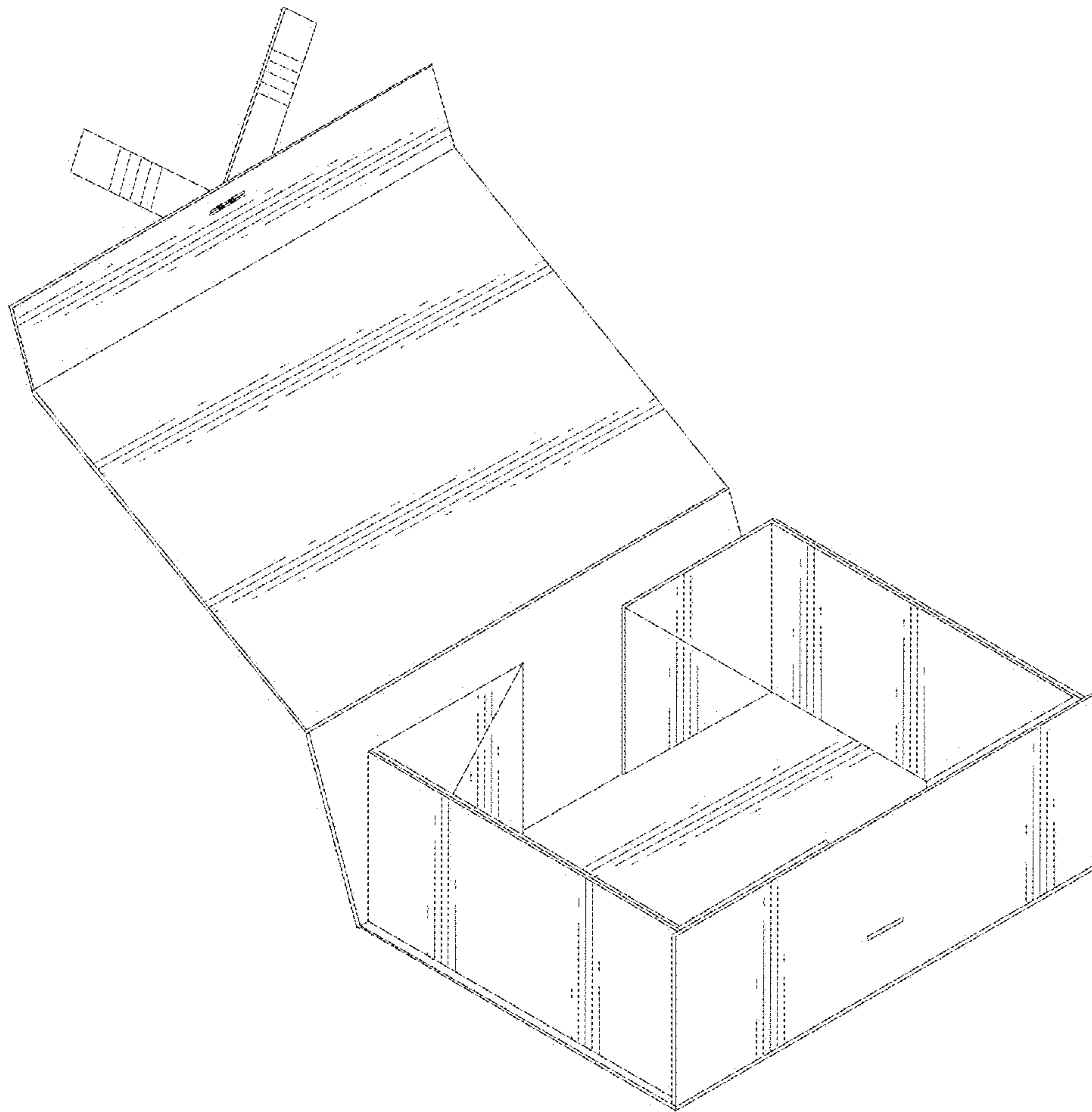


FIG.3

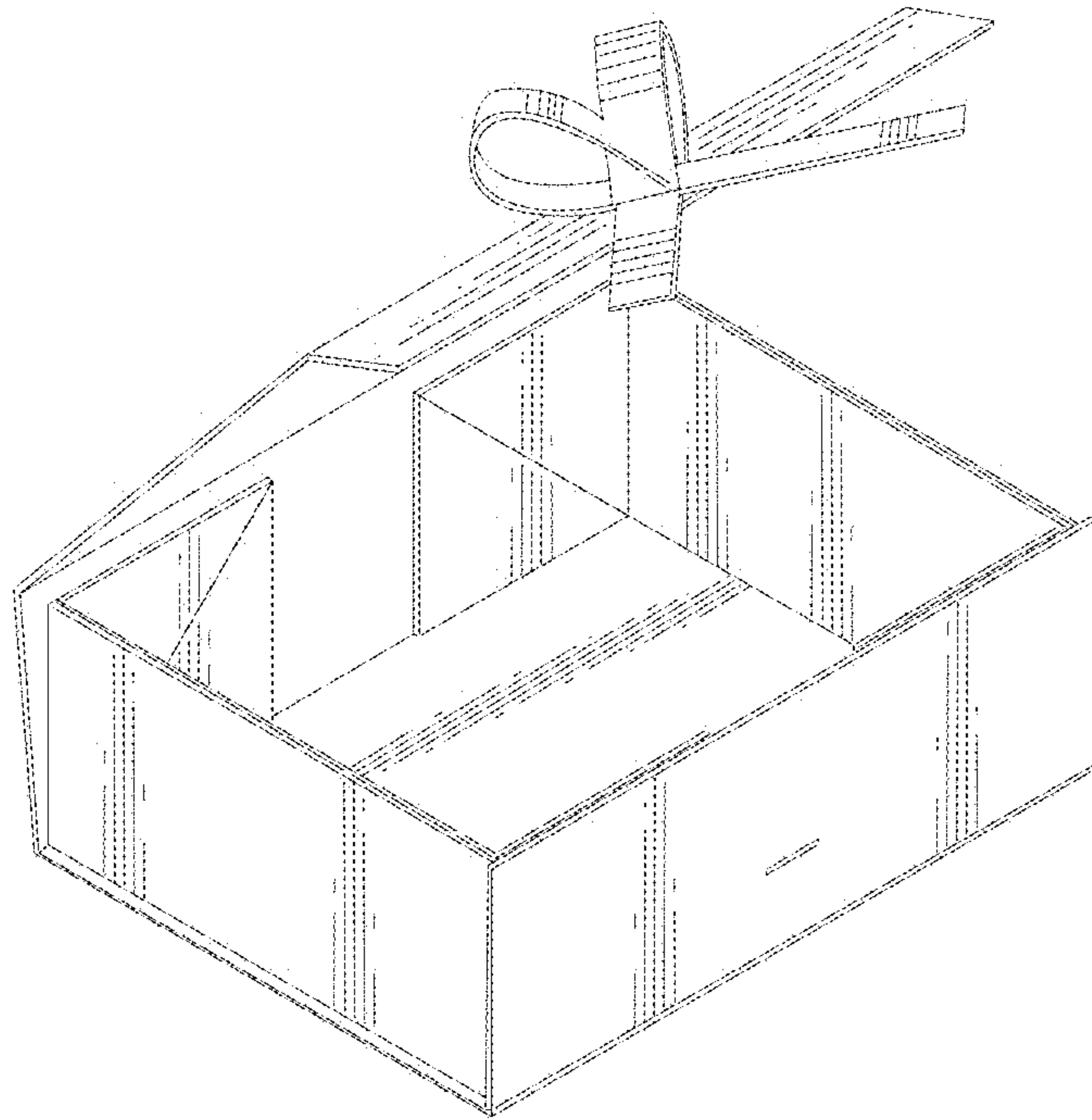


FIG.4

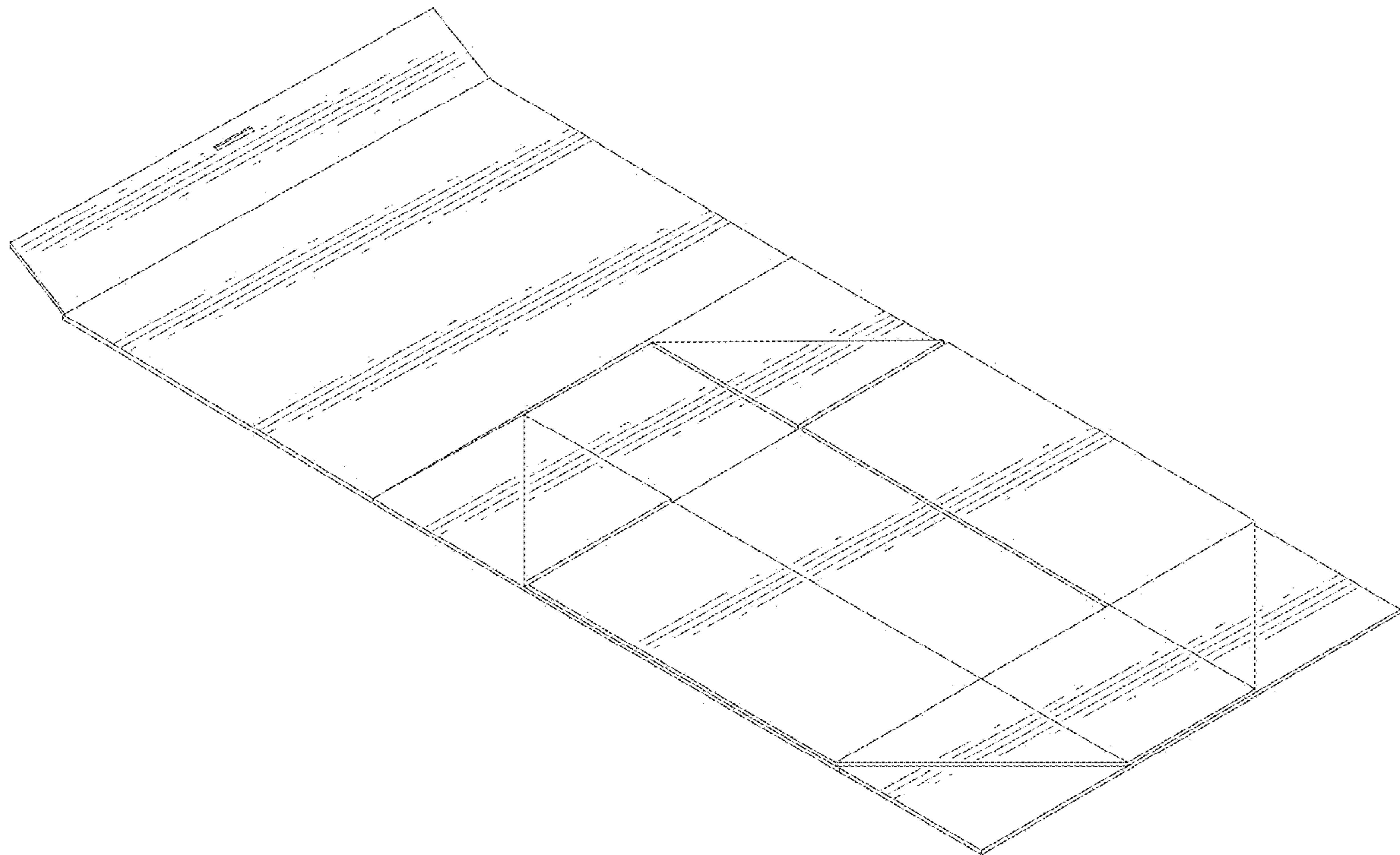


FIG.5

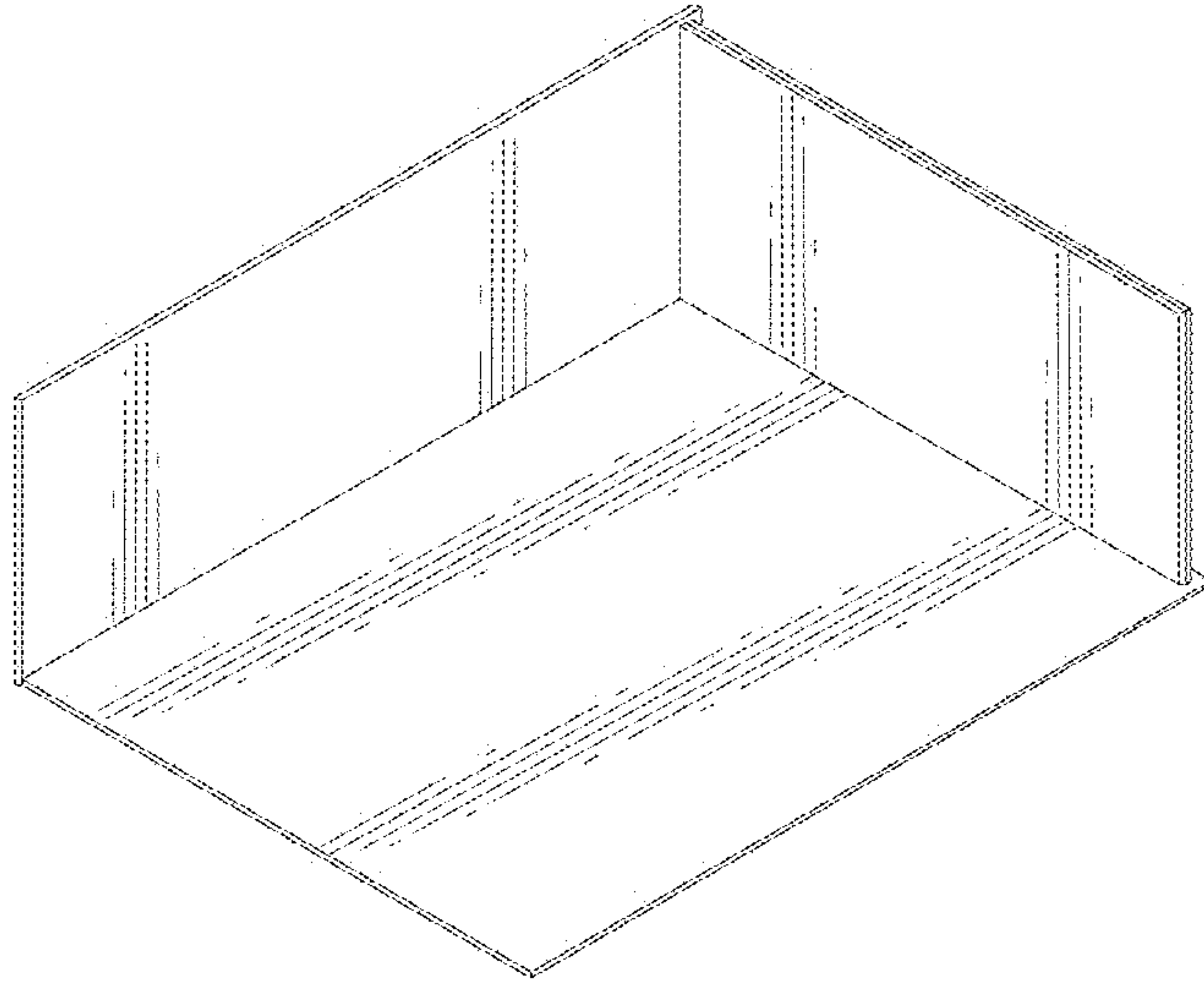


FIG.6

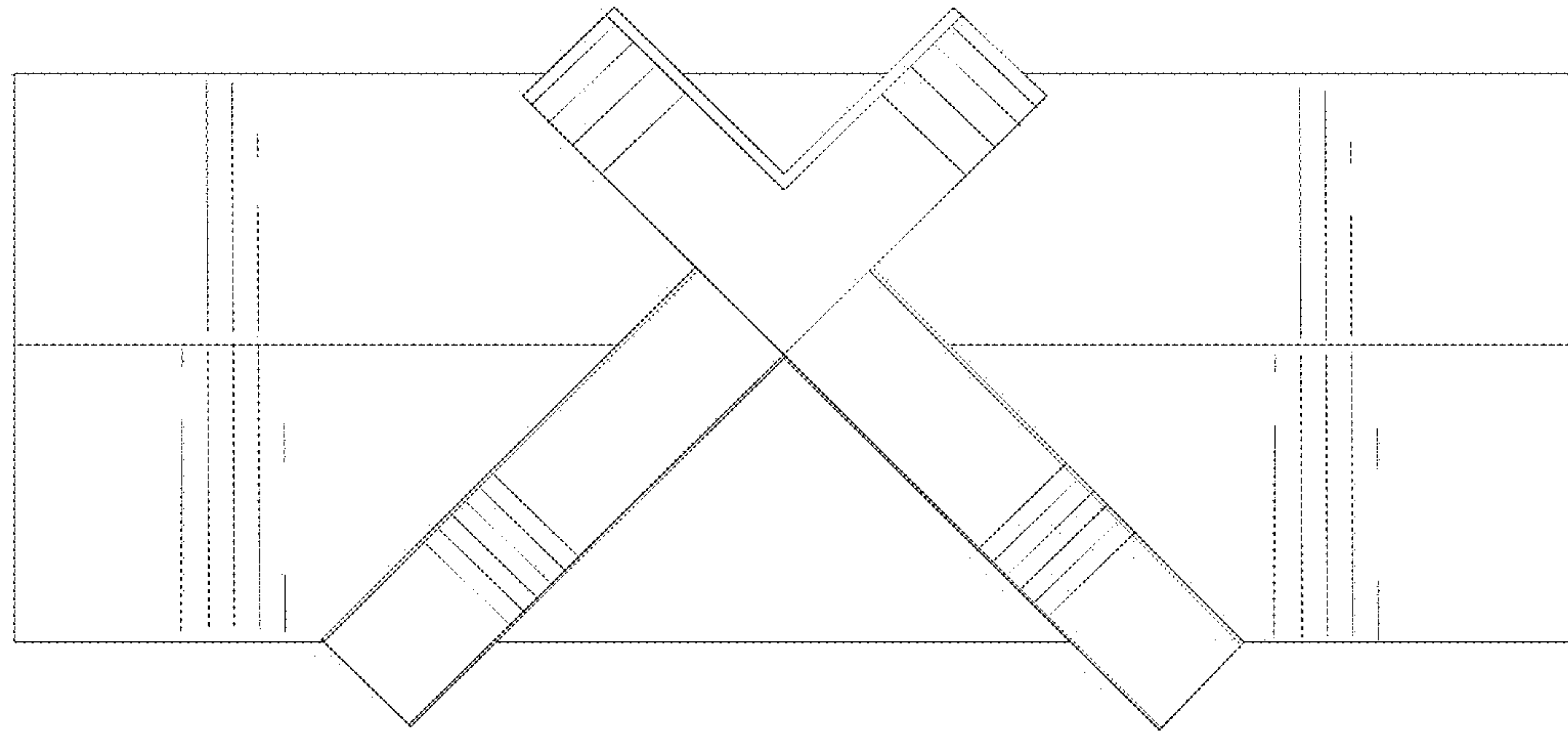


FIG.7

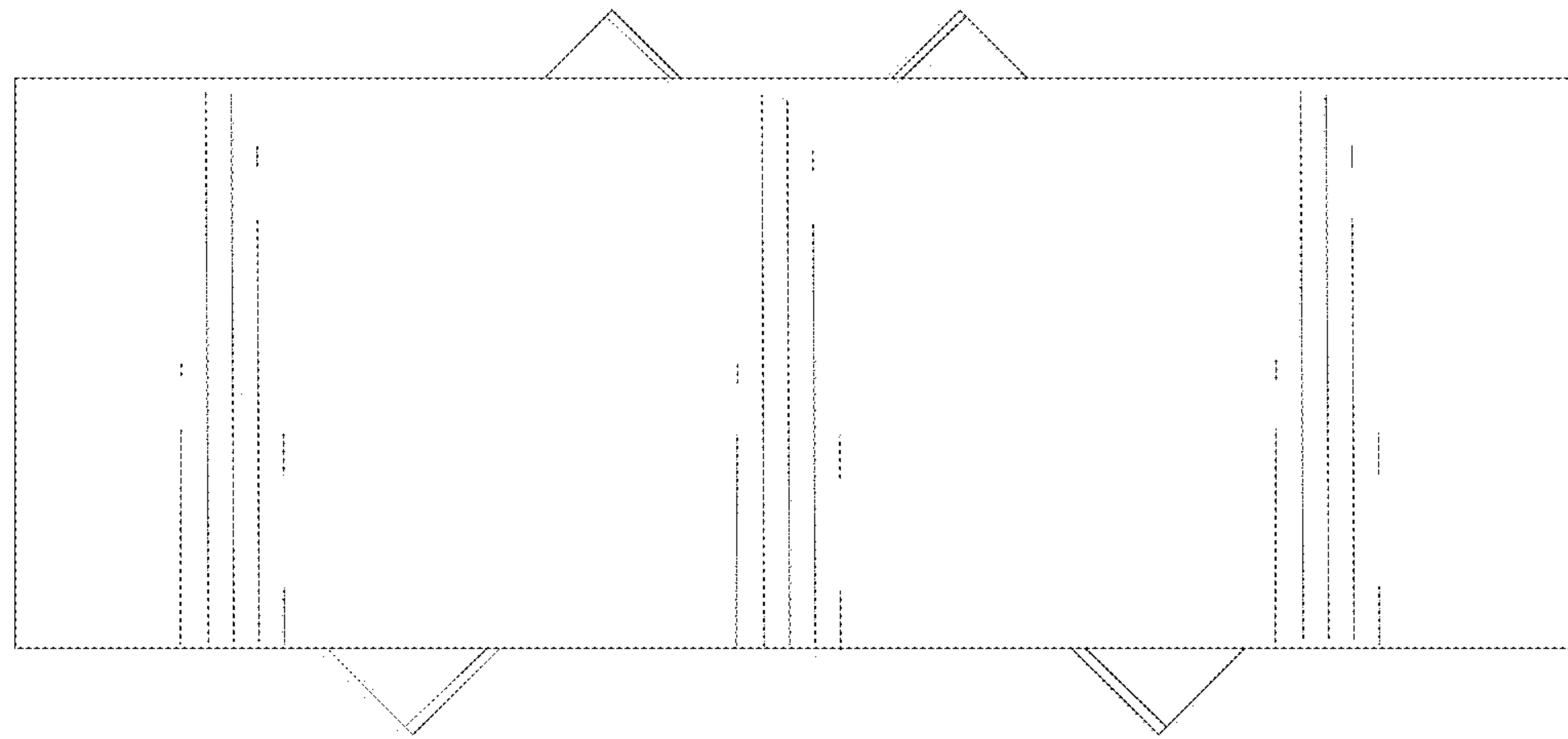


FIG.8

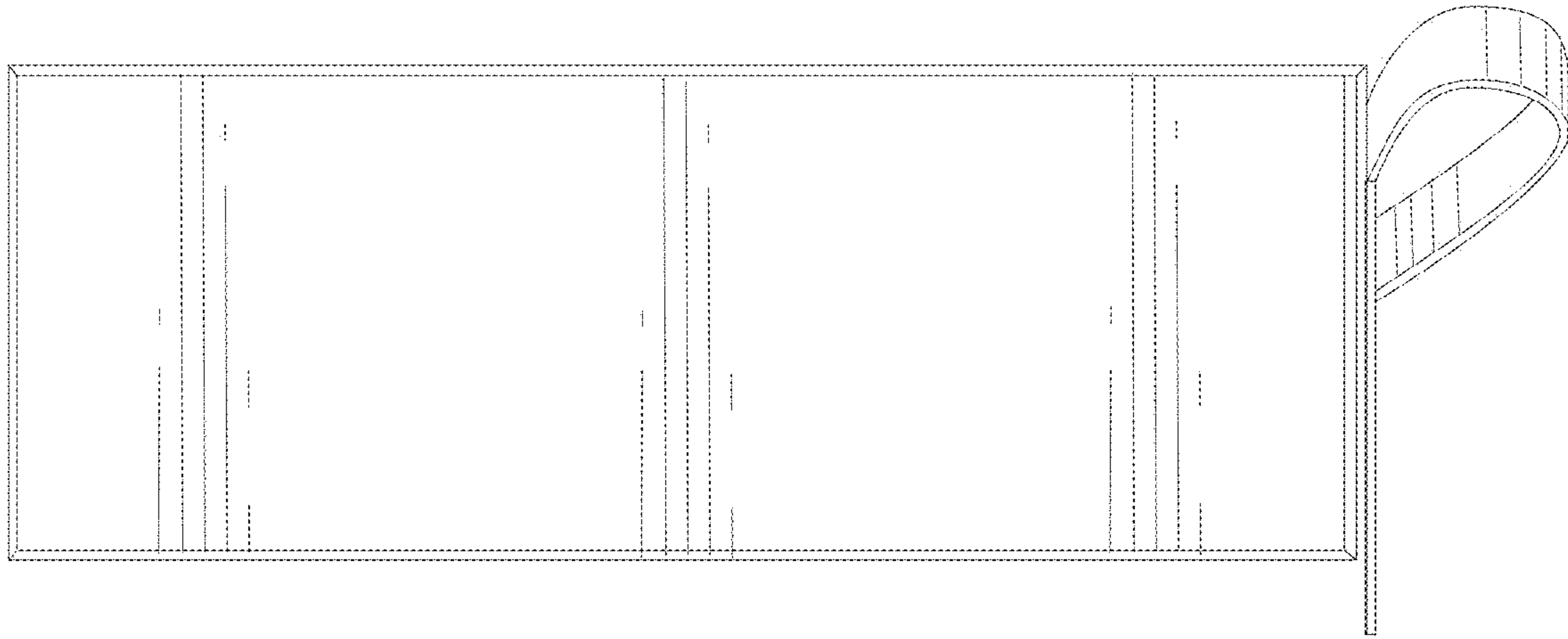


FIG.9

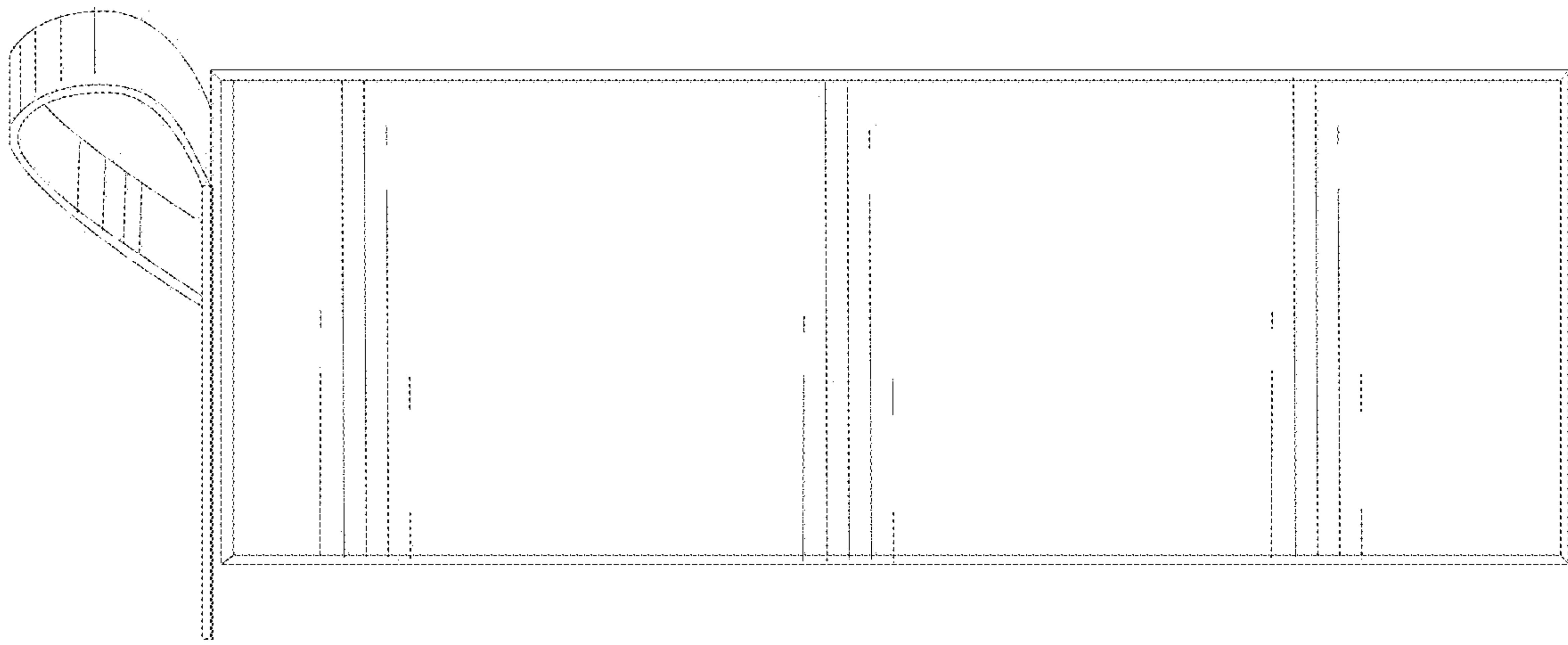


FIG. 10

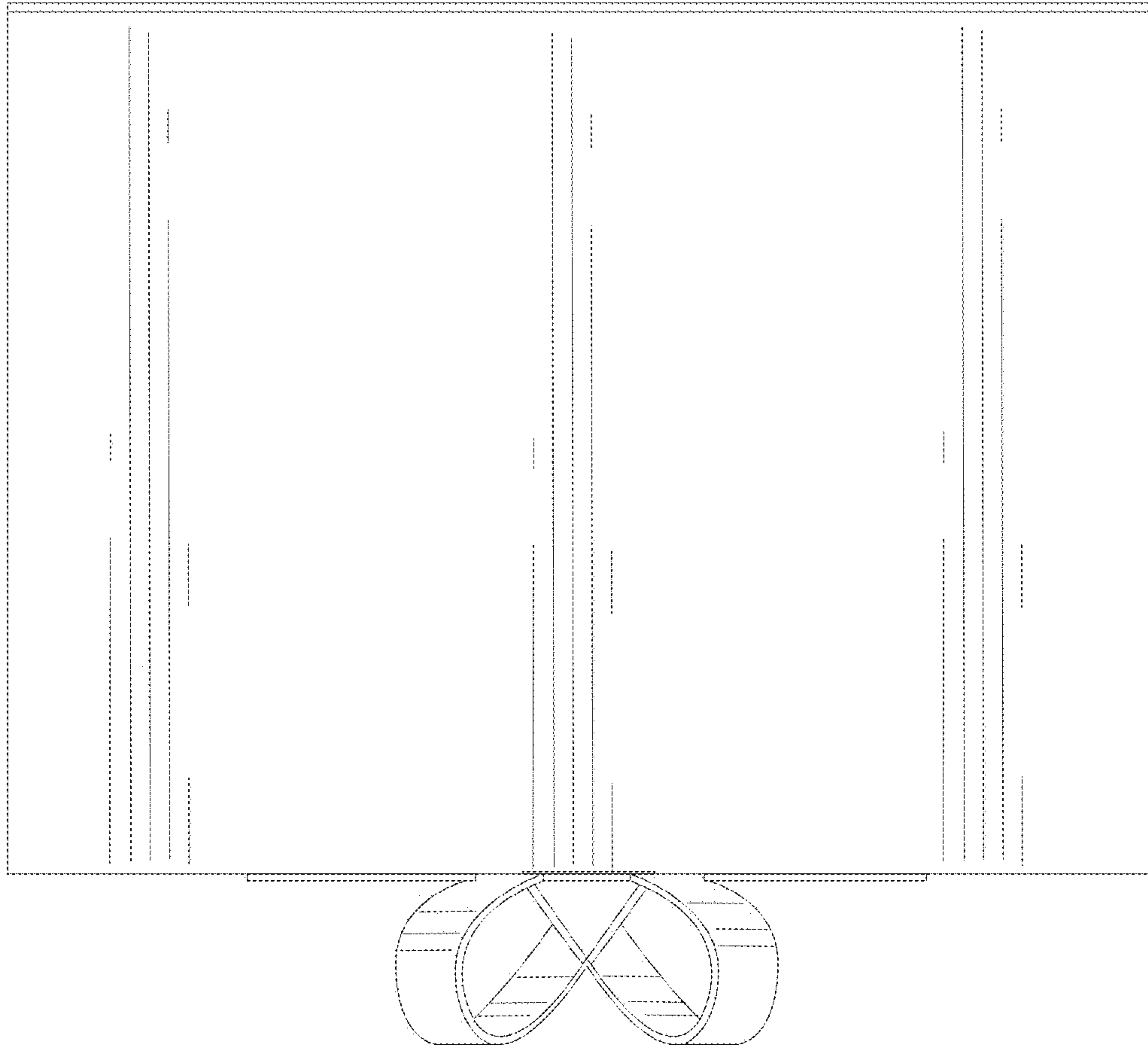


FIG. 11

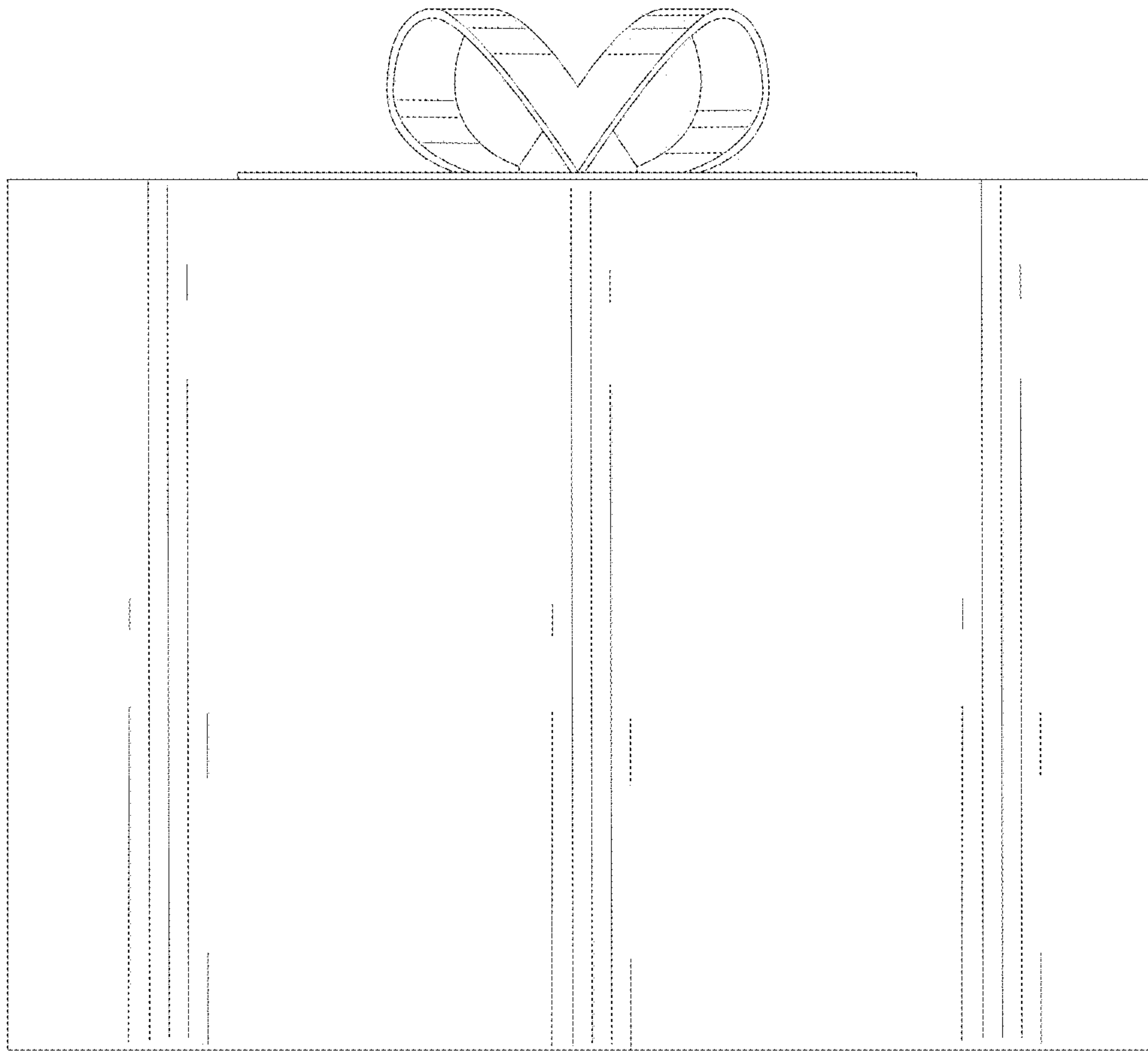


FIG. 12