



US00D950372S

(12) **United States Design Patent** (10) **Patent No.:** **US D950,372 S**
Larson (45) **Date of Patent:** **** May 3, 2022**

- (54) **GIFT CARD BOX**
- (71) Applicant: **American Greetings Corporation**,
Cleveland, OH (US)
- (72) Inventor: **Seth Larson**, Lakewood, OH (US)
- (73) Assignee: **American Greetings Corporation**,
Cleveland, OH (US)
- (**) Term: **15 Years**
- (21) Appl. No.: **29/689,686**
- (22) Filed: **May 1, 2019**
- (51) **LOC (13) Cl.** **09-03**
- (52) **U.S. Cl.**
USPC **D9/415**
- (58) **Field of Classification Search**
USPC D9/414-418, 432, 423, 634, 422;
D6/515
CPC B42D 15/027; B65D 5/4233; A45C 11/182
See application file for complete search history.

- (56) **References Cited**
U.S. PATENT DOCUMENTS
D382,199 S * 8/1997 Webinger D9/634
D493,715 S * 8/2004 Izen D9/415
D543,104 S * 5/2007 Frederiksen D9/422
D799,852 S * 10/2017 Pena D6/515
9,907,374 B2 * 3/2018 Canaday A45C 11/182
D832,696 S * 11/2018 Balanevsky D9/423
D838,165 S * 1/2019 Handstein D9/432

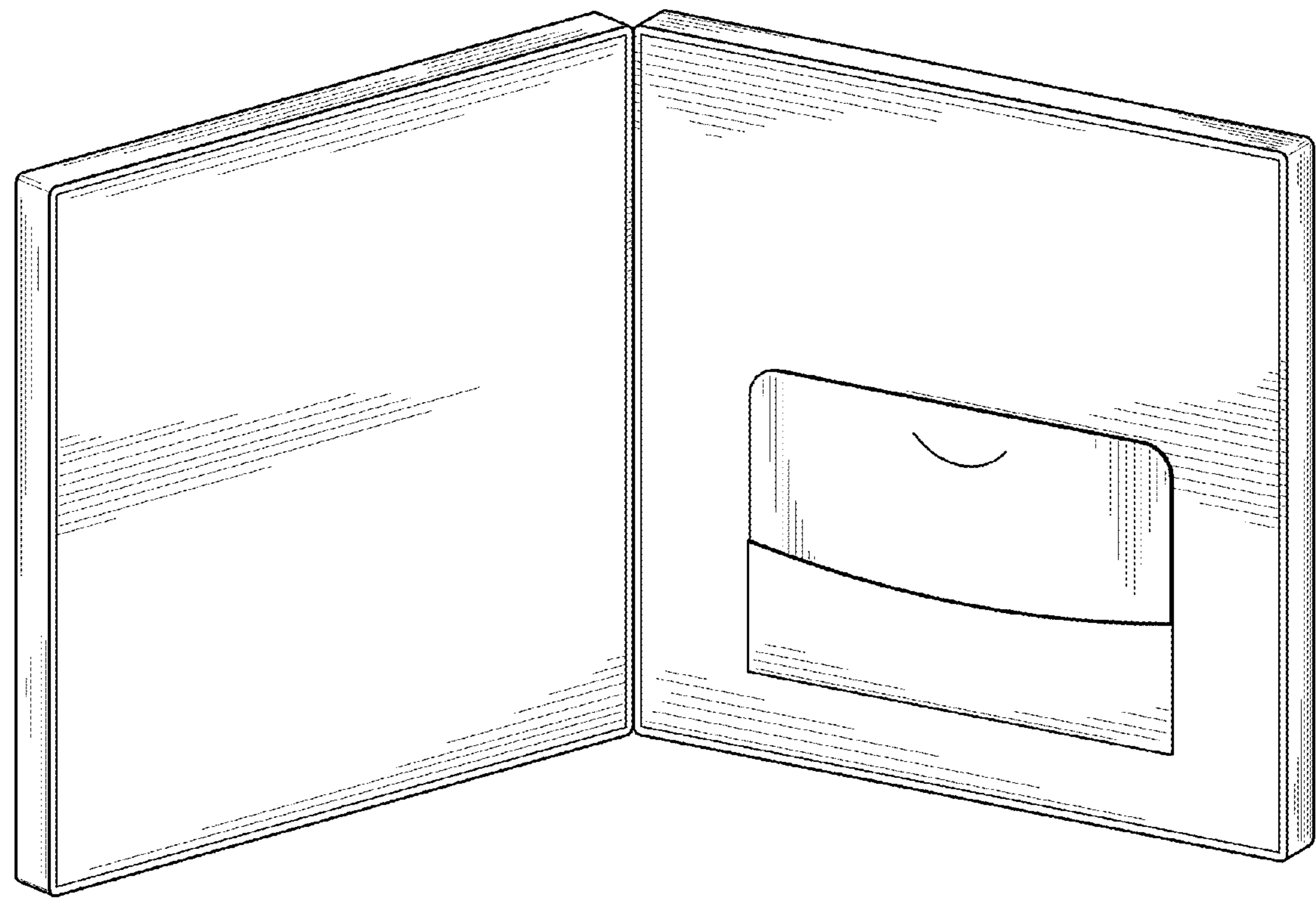
- D843,128 S * 3/2019 Pena D6/515
- D843,827 S * 3/2019 Nelson D9/415
- D908,478 S * 1/2021 Nelson D9/415
- D909,861 S * 2/2021 Nelson D9/415
- 2015/0314950 A1 * 11/2015 Lopez B65D 5/4233
206/232
- 2018/0339540 A1 * 11/2018 Barnhardt B42D 15/027

* cited by examiner
Primary Examiner — Rhea Shields
(74) *Attorney, Agent, or Firm* — Christine Flanagan

(57) **CLAIM**
The ornamental design for a gift card box, as shown and described.

DESCRIPTION
FIG. 1 is a perspective view the gift card box of the present invention, without attached backer and box in a closed position.
FIG. 2 is a front view of the gift card box of FIG. 1.
FIG. 3 is a rear view of the gift card box of FIG. 1.
FIG. 4 is a left side view of the gift card box of FIG. 1.
FIG. 5 is a right side view of the gift card box of FIG. 1.
FIG. 6 is a top down view of the gift card box of FIG. 1.
FIG. 7 is a bottom up view of the gift card box of FIG. 1.
FIG. 8 is a perspective view of the gift card box of FIG. 1, in a partially open position; and,
FIG. 9 is a front view of the gift card box of FIG. 8.
The broken lines are for the purpose of illustrating the environment of the design only and form no part of the claimed design.

1 Claim, 4 Drawing Sheets



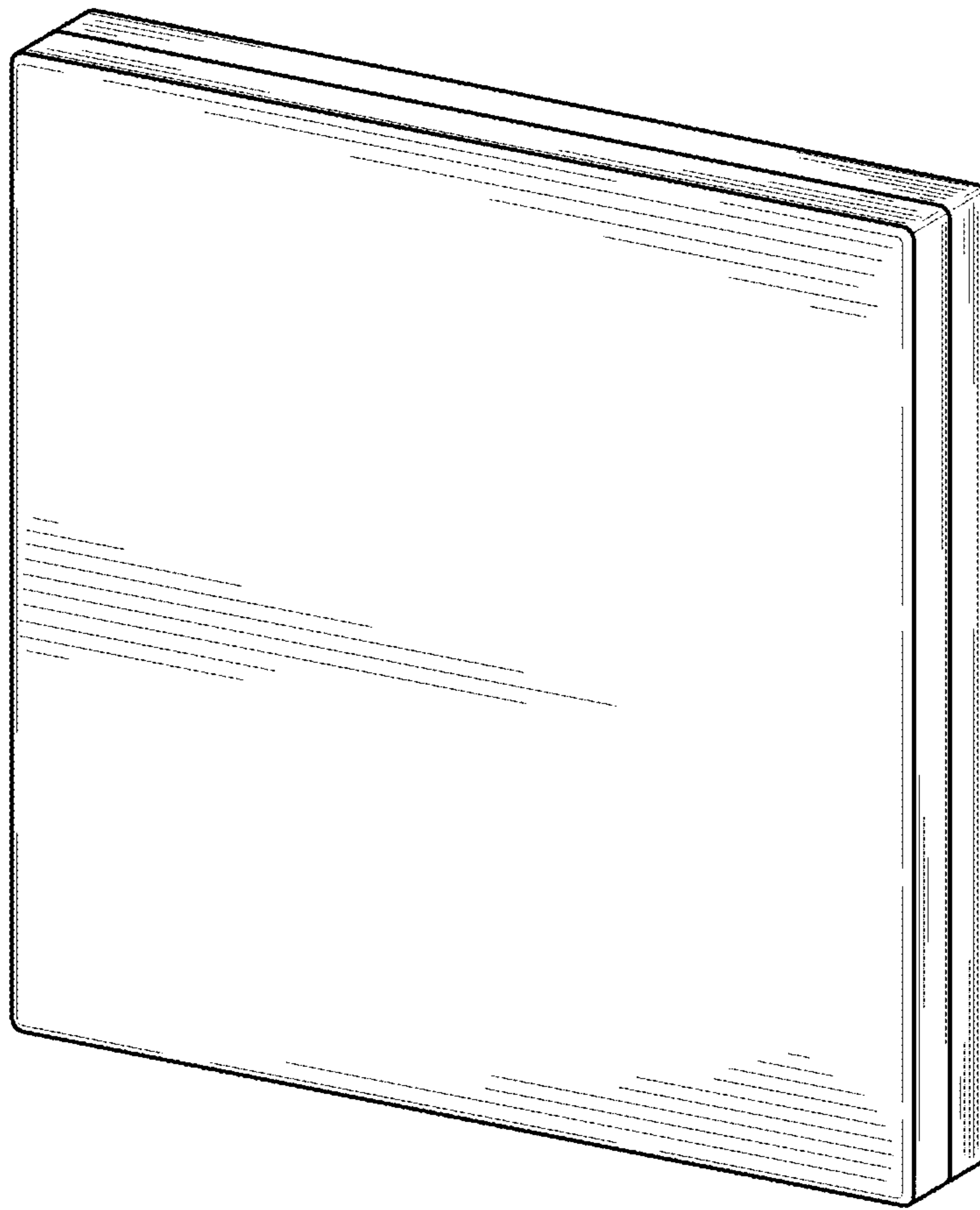


Fig. 1



Fig. 2



Fig. 3

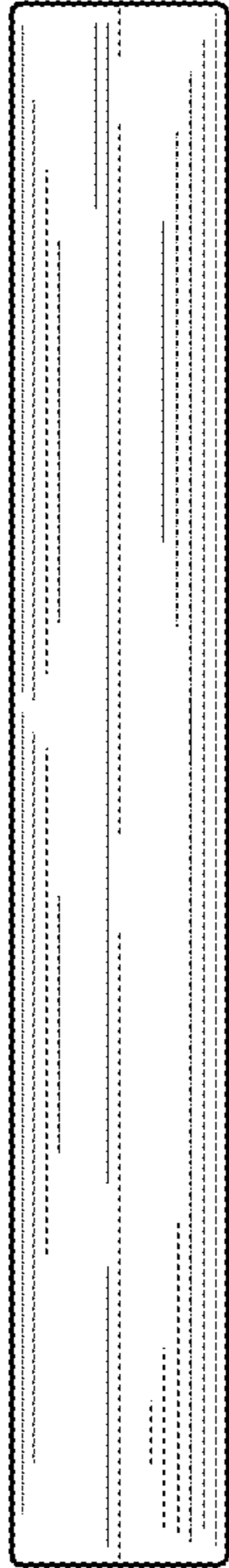


Fig. 4

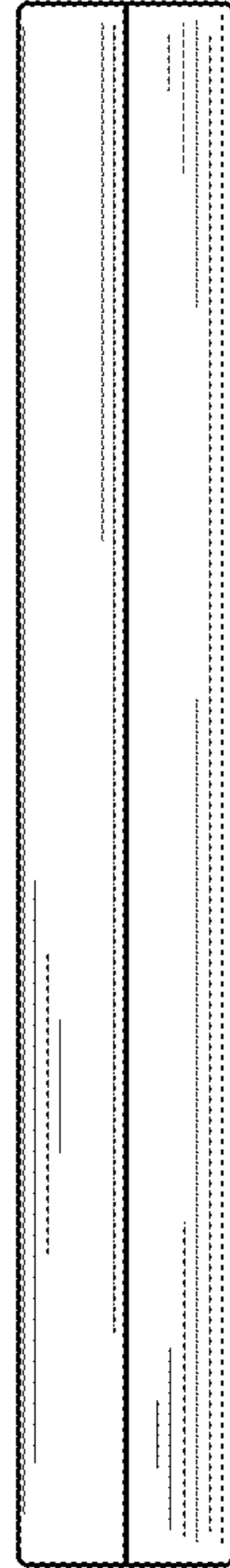


Fig. 5

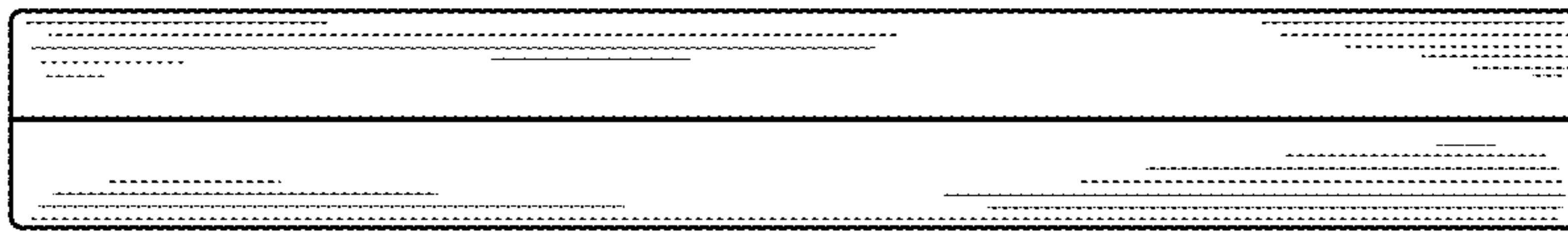


Fig. 6

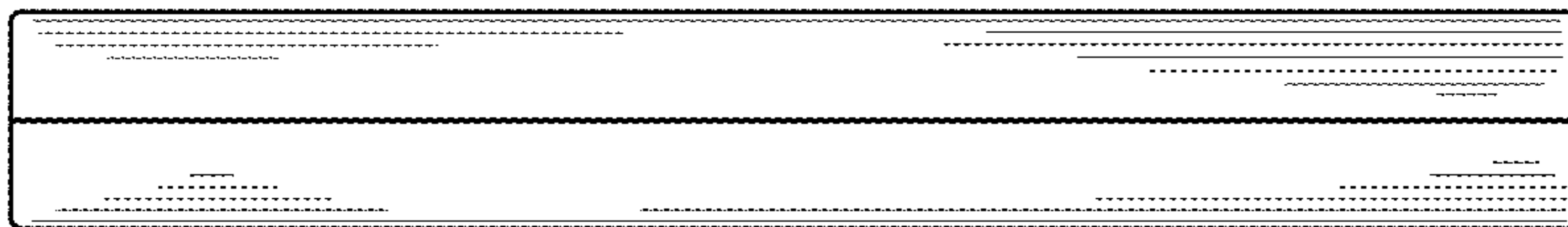


Fig. 7

