



US00D950371S

(12) **United States Design Patent**
Klotz

(10) **Patent No.:** **US D950,371 S**

(45) **Date of Patent:** **** May 3, 2022**

- (54) **BOLT**
- (71) Applicant: **Otto Ganter GmbH & Co. KG**
Normteilefabrik, Furtwangen (DE)
- (72) Inventor: **Uwe Klotz, Brigachtal (DE)**
- (73) Assignee: **OTTO GANTER GMBH & CO. KG**
NORMTEILEFABRIK, Furtwangen (DE)

- 4,659,273 A * 4/1987 Dudley F16B 41/005
411/373
- D298,737 S * 11/1988 Wallace D8/387
- 4,890,967 A * 1/1990 Rosenbaum F16B 37/14
411/377
- 5,048,898 A * 9/1991 Russell B60B 7/00
301/37.375
- 5,380,070 A * 1/1995 FitzGerald B60B 7/00
301/108.4
- D379,428 S * 5/1997 Fling D8/399

- (**) Term: **15 Years**
- (21) Appl. No.: **29/777,564**
- (22) Filed: **Apr. 7, 2021**

Primary Examiner — Cynthia R Underwood
(74) *Attorney, Agent, or Firm* — Browdy and Neimark, PLLC

Related U.S. Application Data

- (62) Division of application No. 29/701,307, filed on Aug. 9, 2019, now Pat. No. Des. 918,704.

Foreign Application Priority Data

- Feb. 11, 2019 (EM) 006219002

- (51) **LOC (13) Cl.** **08-08**

- (52) **U.S. Cl.**
USPC **D8/397**

- (58) **Field of Classification Search**
USPC D8/397, 394, 382, 349, 399, 387, 70, 29,
D8/83, 86; 411/427, 374, 366.1, 376.2,
411/84, 446, 399, 490, 455
CPC A61B 17/0401; E04D 13/1476; E04G
25/065; F16B 41/002; F16B 23/0061;
F16B 37/14; F16B 35/00; F16B 37/068;
F16B 33/002; F16B 5/0208; F01N 13/009
See application file for complete search history.

(56) **References Cited**

U.S. PATENT DOCUMENTS

- 1,162,467 A * 11/1915 Fitz Gibbon et al. .. F16B 37/14
24/694
- D254,232 S * 2/1980 Ono D8/397

(57) **CLAIM**

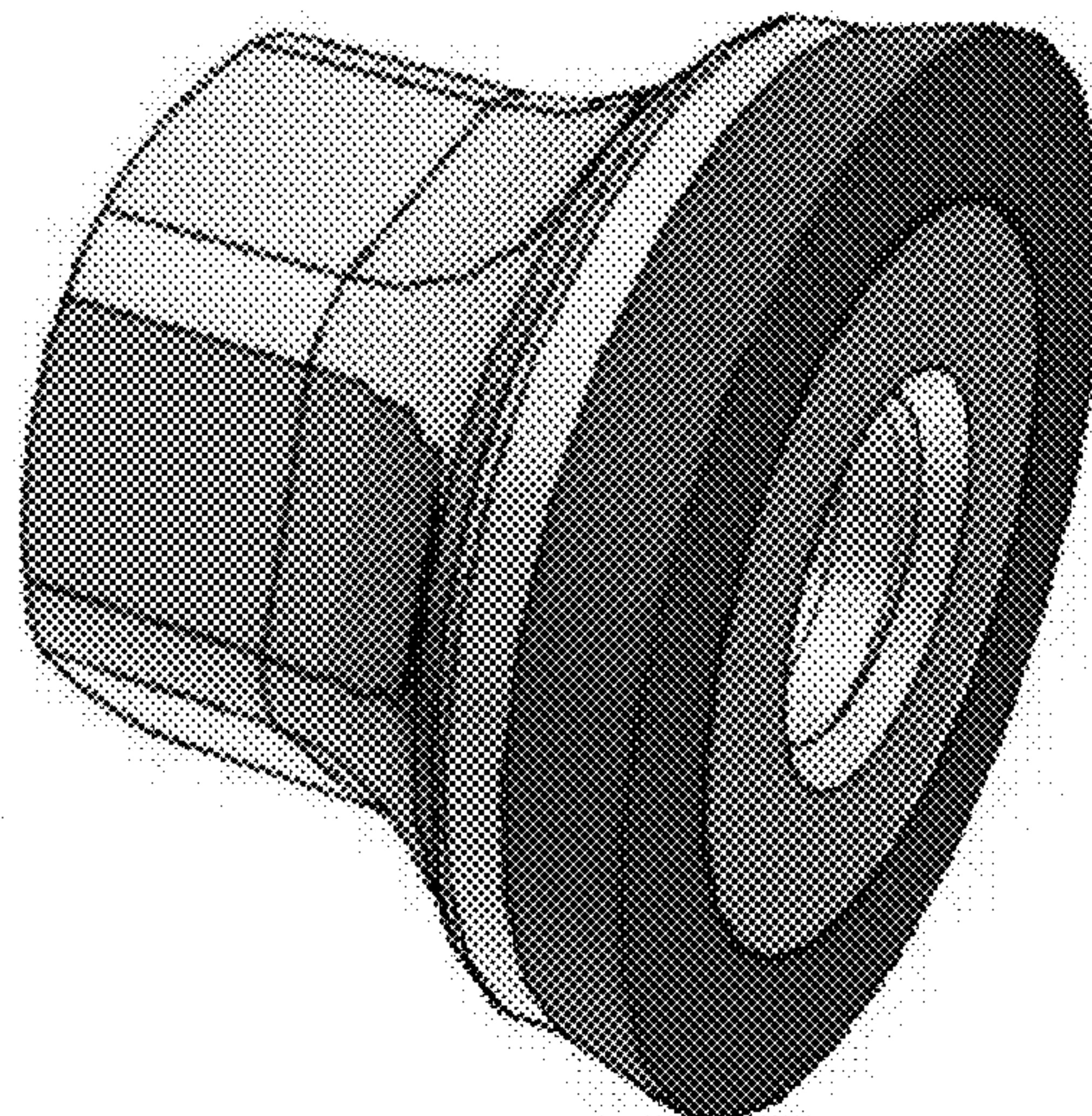
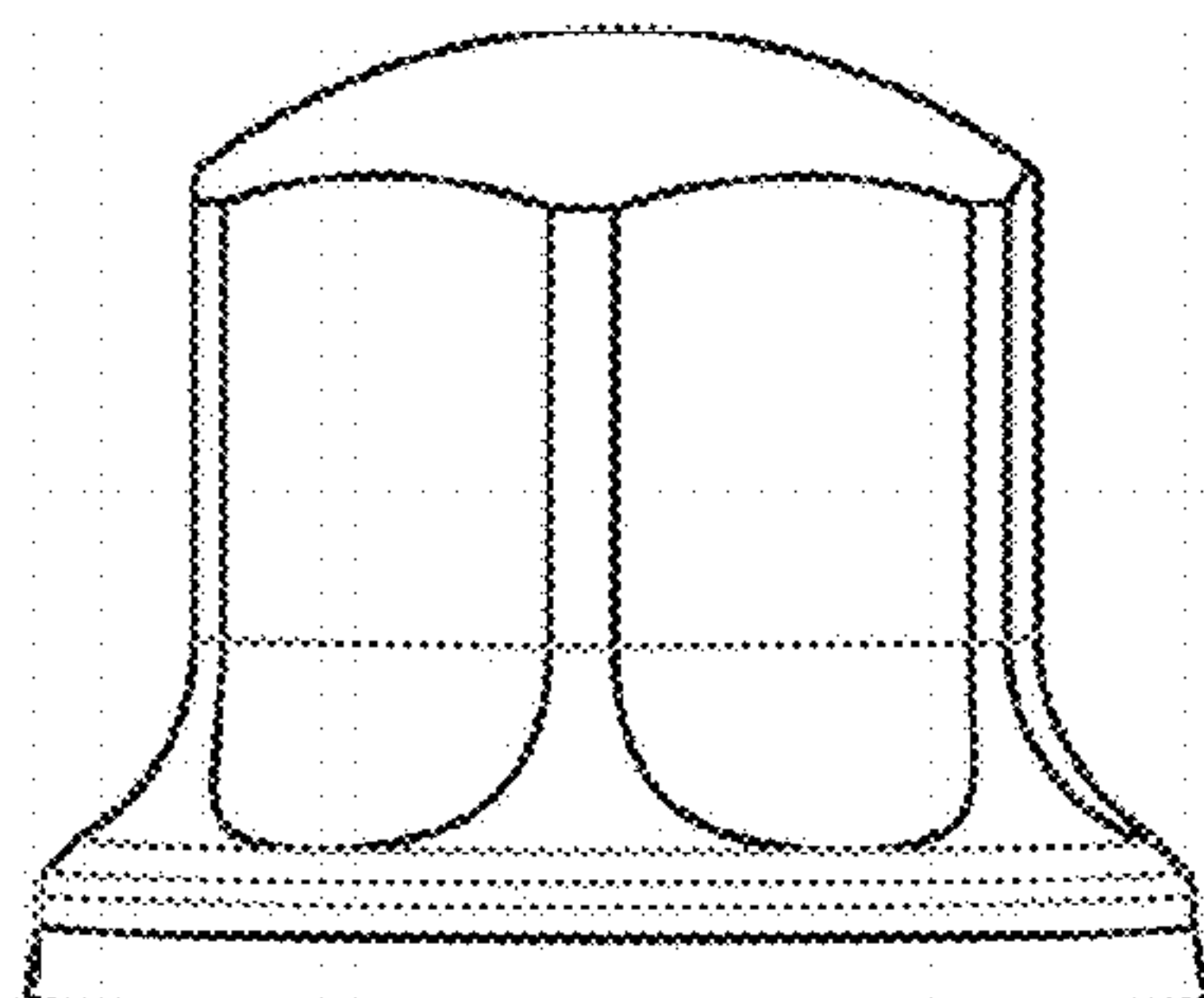
The ornamental design for a bolt, as shown.

DESCRIPTION

The file of this patent contains at least one drawing executed in color. Copies of this patent with color drawing(s) will be provided by the Patent and Trademark Office upon request and payment of the necessary fee.

FIG. 1 is a first embodiment of a first perspective view of a bolt, showing my new design;
FIG. 2 is a bottom view thereof;
FIG. 3 is a top view thereof;
FIG. 4 is a second perspective view thereof;
FIG. 5 is side view thereof;
FIG. 6 is a third perspective view thereof; and
FIG. 7 is a second embodiment of a first perspective view of a bolt, showing my new design;
FIG. 8 is a bottom view thereof;
FIG. 9 is a top view thereof;
FIG. 10 is a second perspective view thereof; and,
FIG. 11 is a side view thereof.

1 Claim, 11 Drawing Sheets
(5 of 11 Drawing Sheet(s) Filed in Color)



(56)

References Cited

U.S. PATENT DOCUMENTS

D398,837 S * 9/1998 Spence D8/397
5,857,818 A * 1/1999 Bias, Sr. F16B 37/14
411/431
D412,557 S * 8/1999 Palestrant D23/214
D420,897 S * 2/2000 Fuller D8/397
6,053,681 A * 4/2000 Mattershead F16B 37/14
411/14
D484,785 S * 1/2004 Plumer D8/397
D510,259 S * 10/2005 Yoshimoto D8/397
D566,028 S * 4/2008 Wright D12/207
7,392,674 B1 * 7/2008 Grote F16B 37/14
411/910
D577,795 S * 9/2008 Smith D23/262
D606,853 S * 12/2009 Shapiro D8/397
D623,049 S * 9/2010 Zeyfang D8/397
8,366,367 B2 * 2/2013 Matlock F16B 37/14
411/429
D704,543 S * 5/2014 Kuhmichel D8/397
D713,705 S * 9/2014 Mina D8/68
9,157,464 B2 * 10/2015 Ellis F16B 19/086
D748,972 S * 2/2016 Primeau D8/397
D761,630 S * 7/2016 Li D8/29
D795,398 S * 8/2017 Decaria D23/260
D805,882 S * 12/2017 Berry D8/382
D818,812 S * 5/2018 Schrawder D8/397
10,294,971 B2 * 5/2019 Wu F16B 5/0635
10,393,159 B2 * 8/2019 Frost F16B 5/0208
D879,249 S * 3/2020 Glaser D23/233
2006/0171794 A1 * 8/2006 Ordonio F16B 37/14
411/369
2014/0060260 A1 * 3/2014 Kluhsman, Jr. B25B 13/065
81/121.1

* cited by examiner

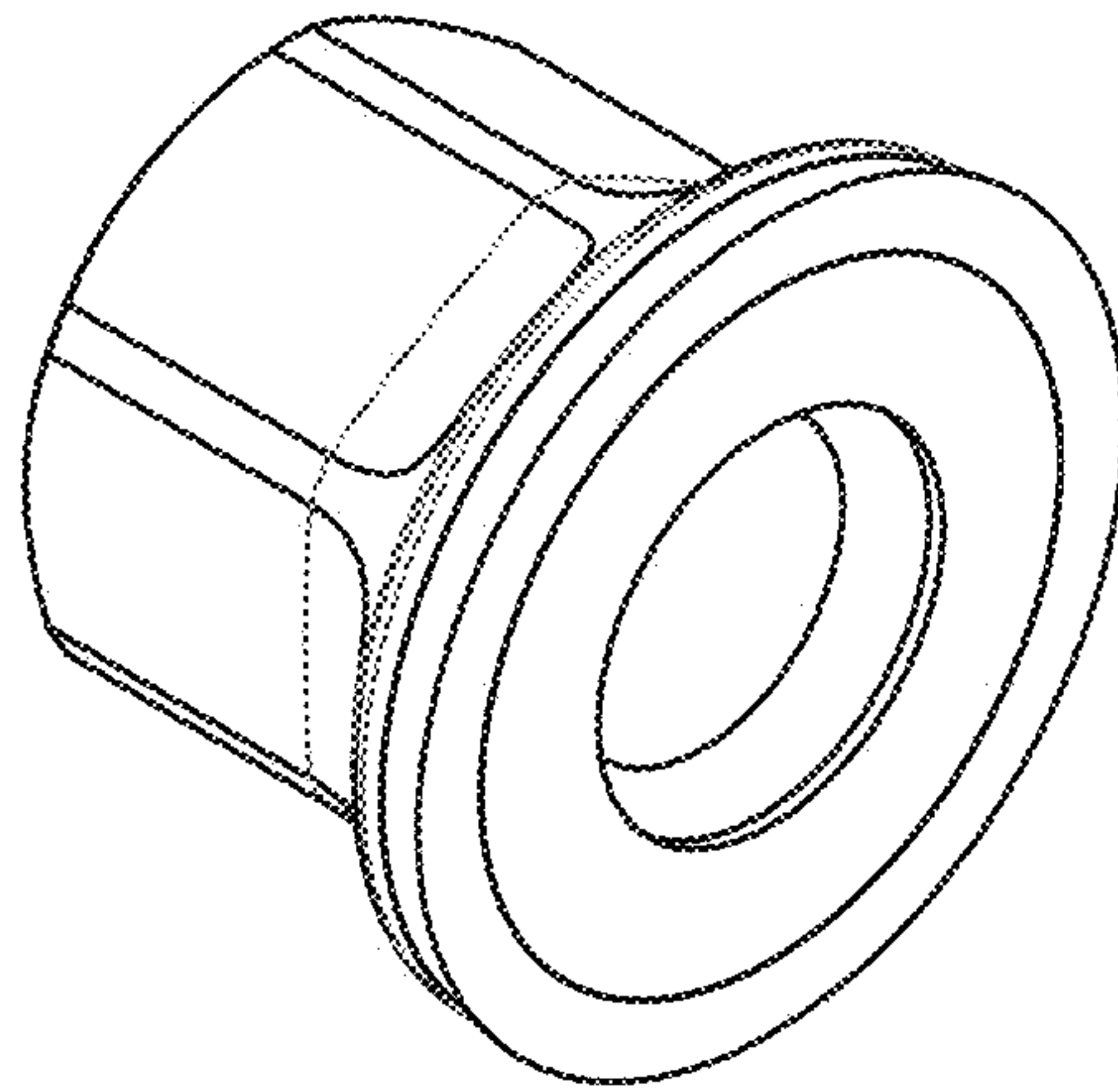


FIG. 1

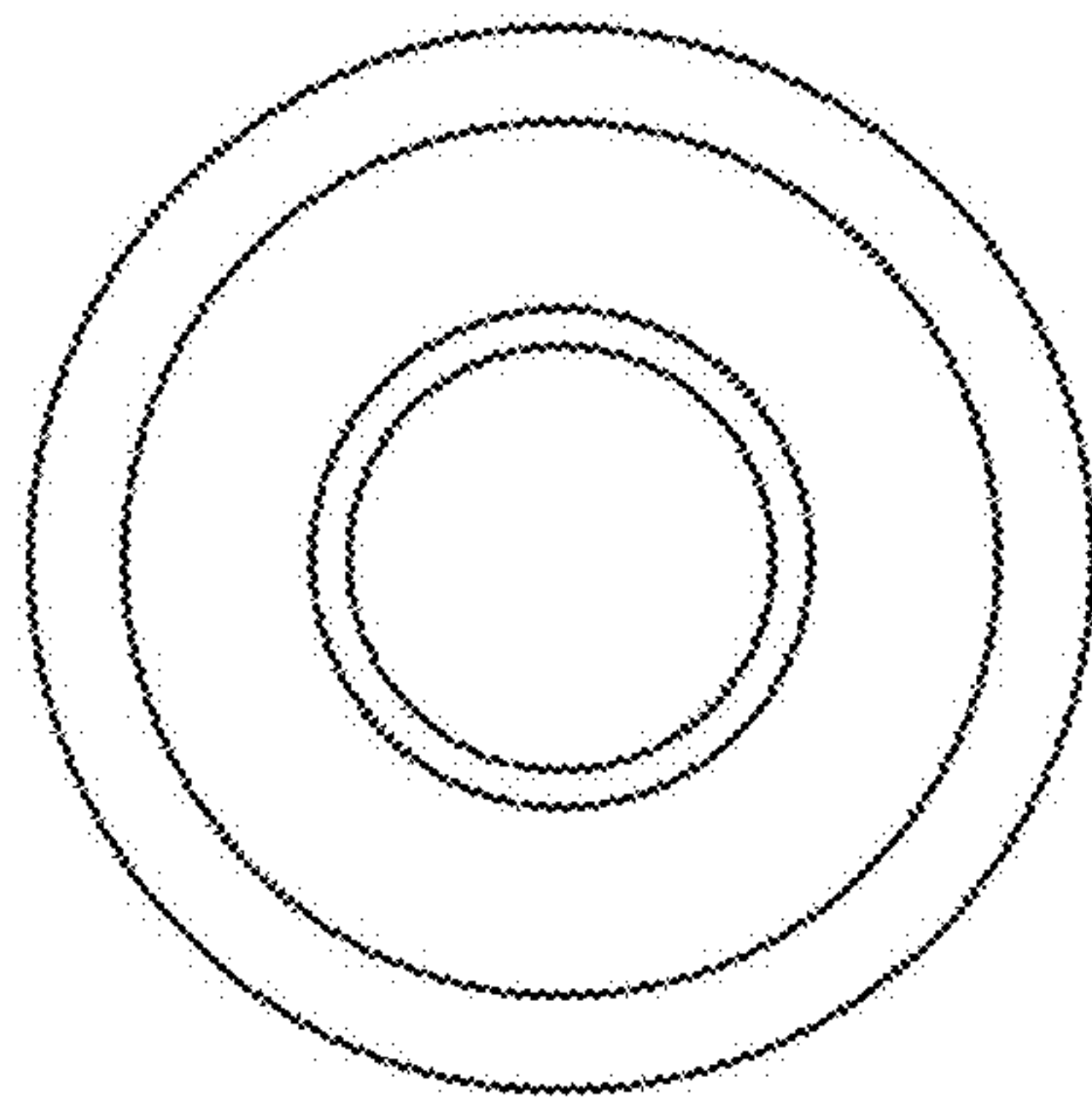
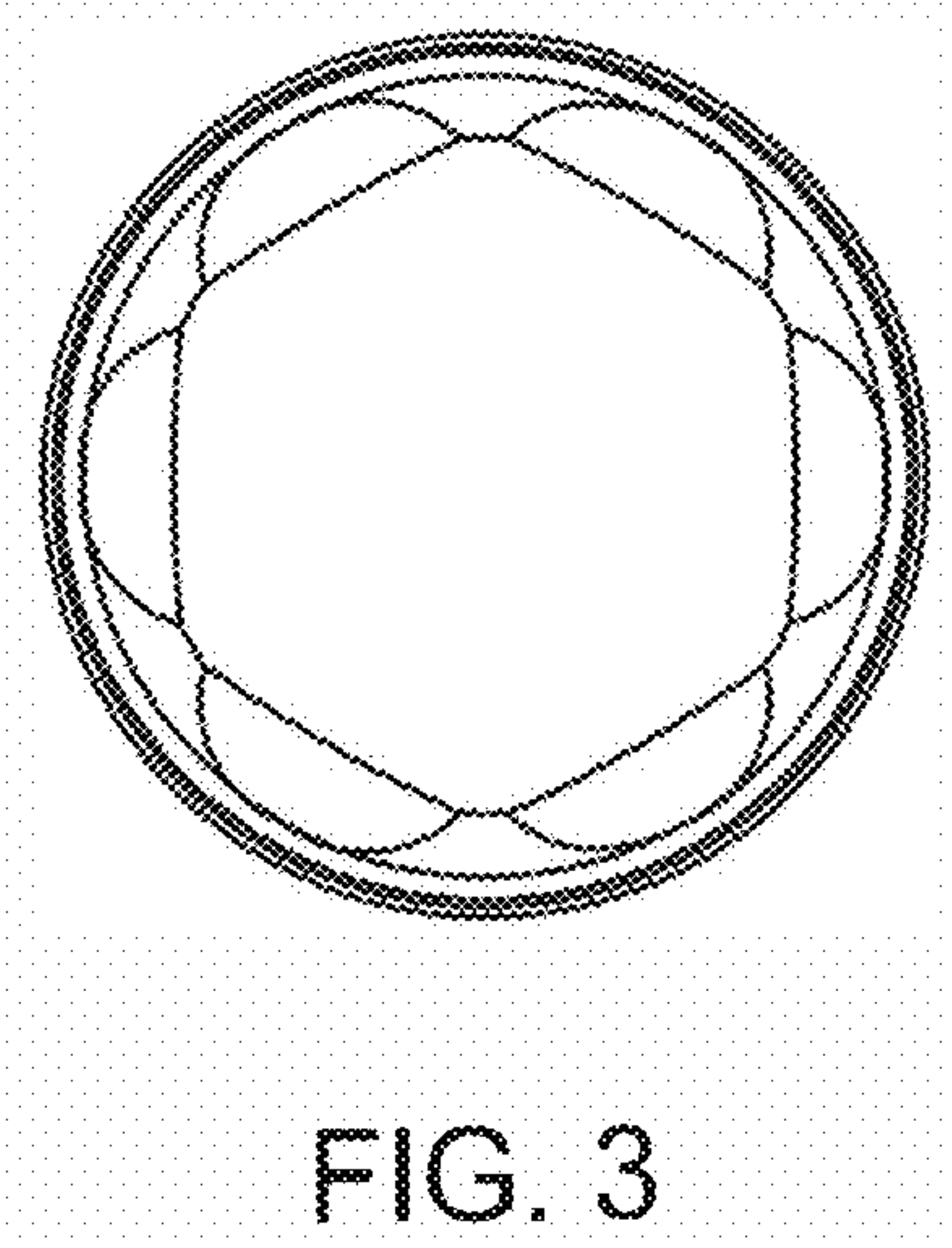


FIG. 2



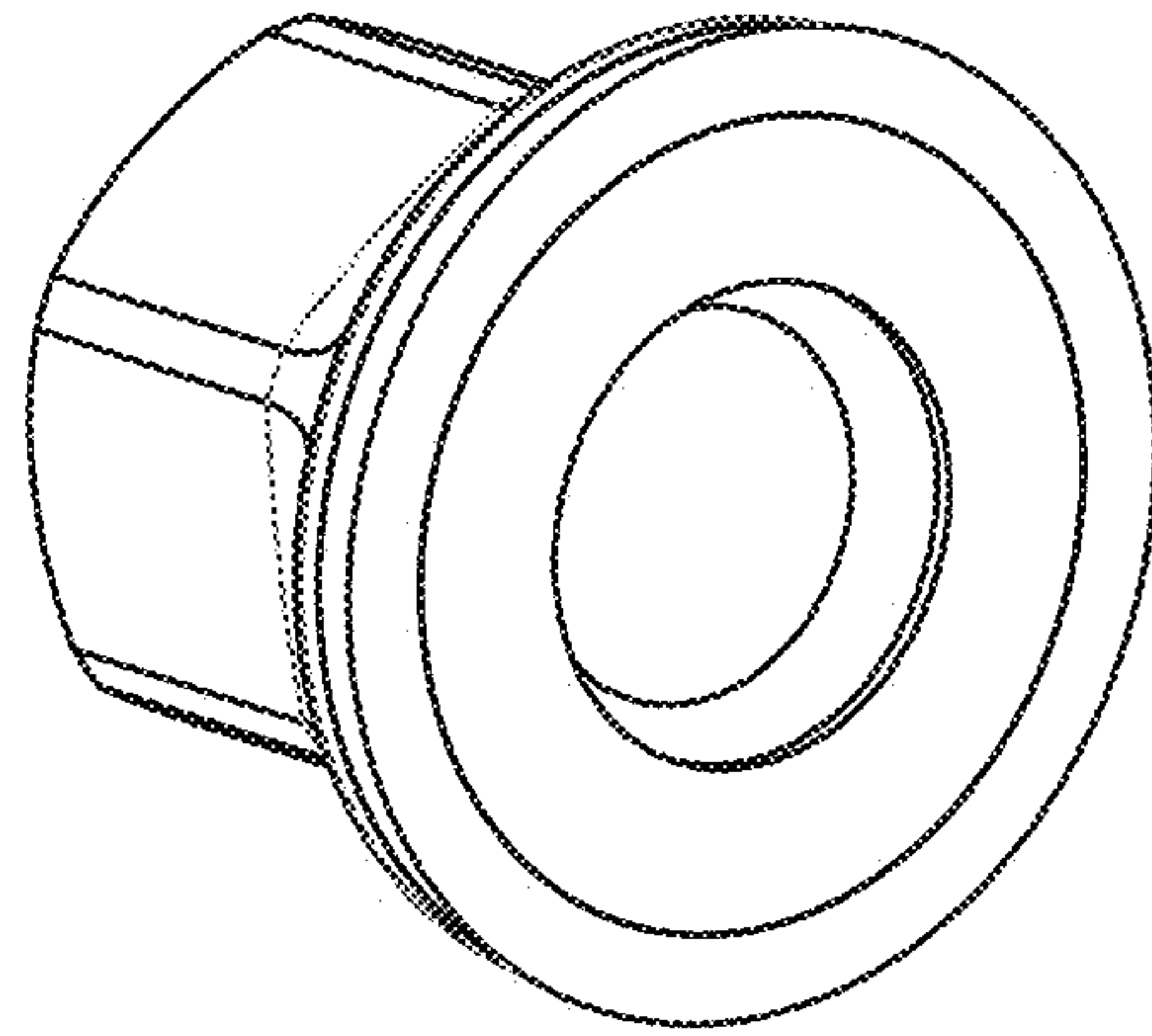
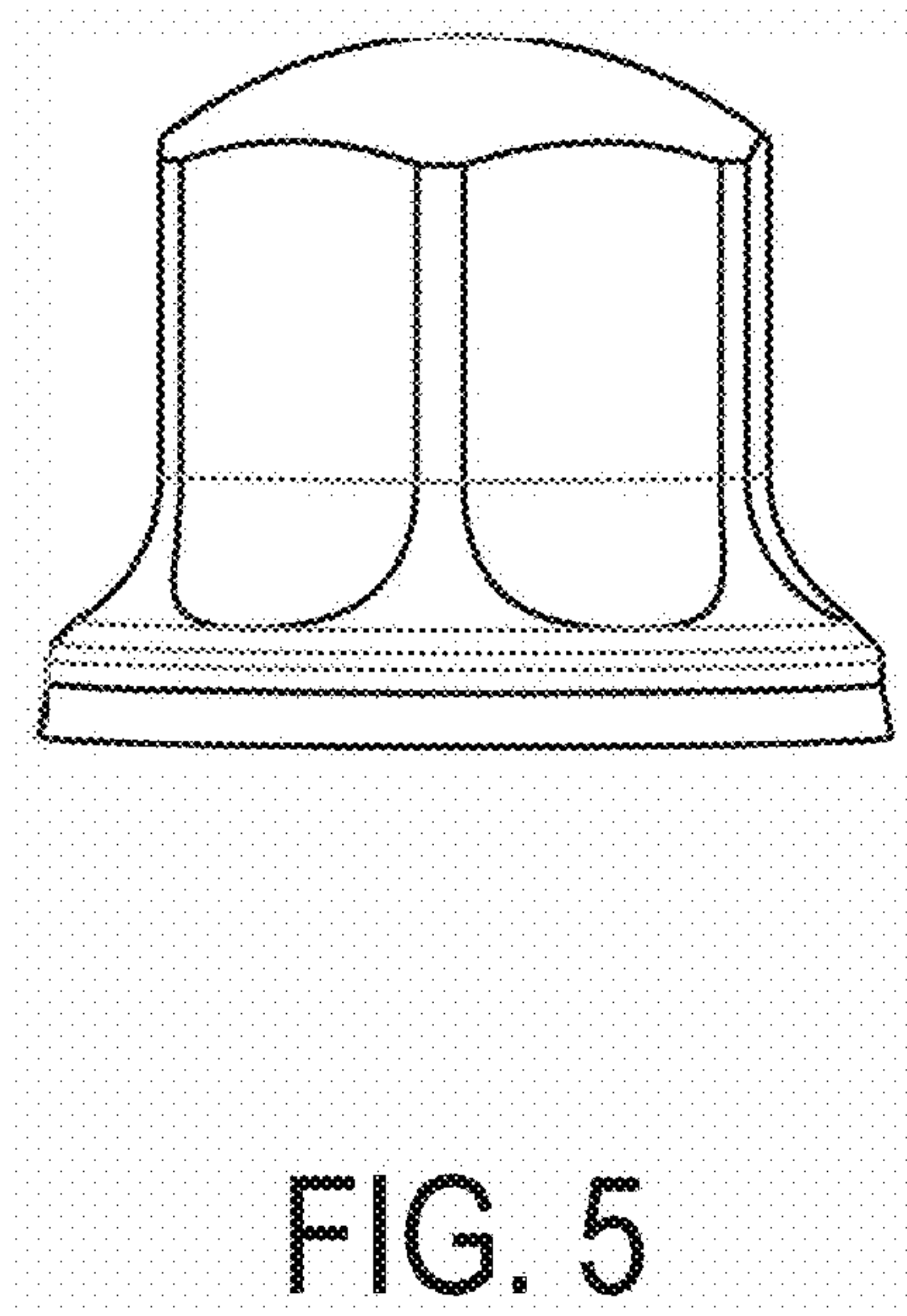


FIG. 4



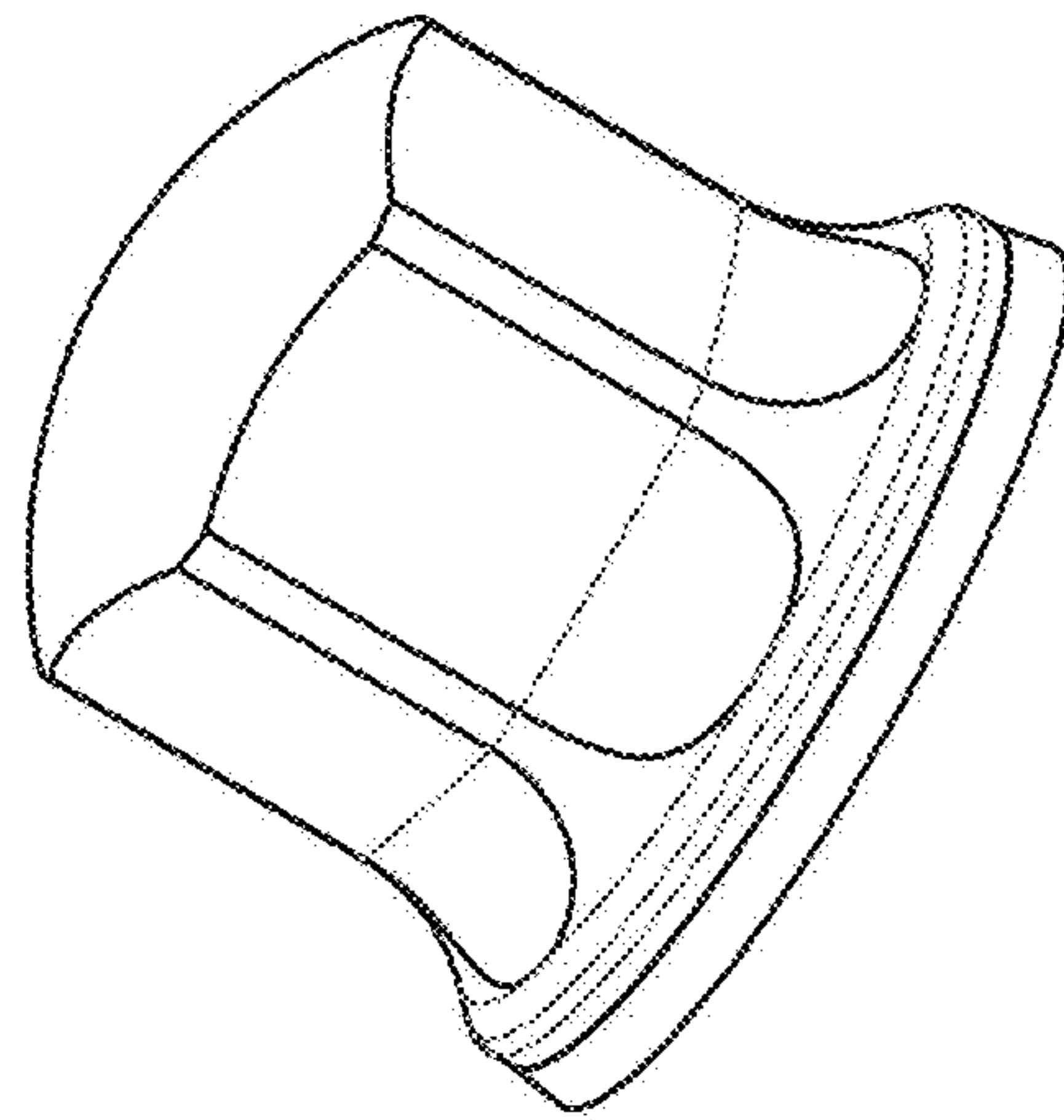


FIG. 6

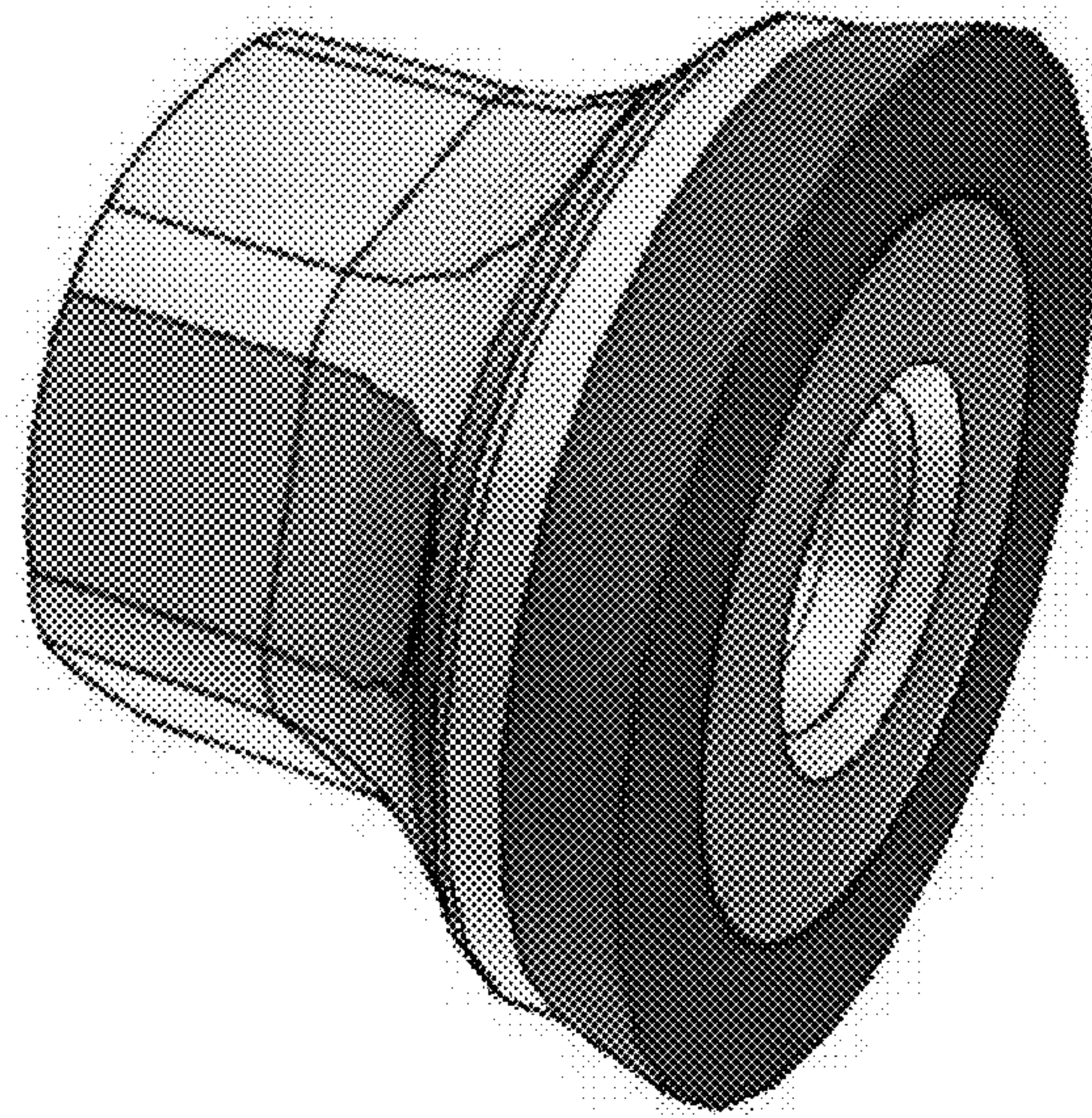


FIG. 7

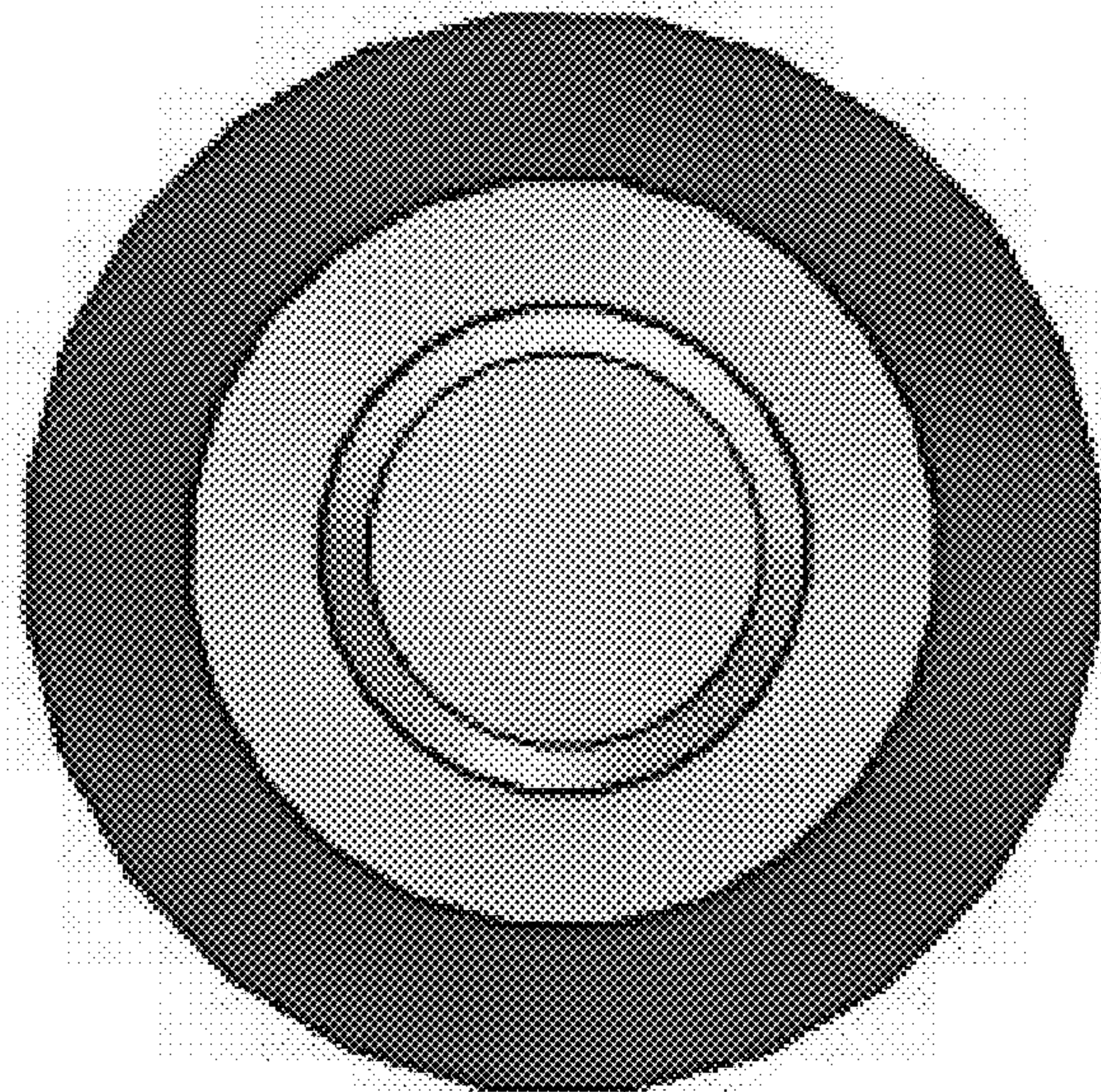


FIG. 8

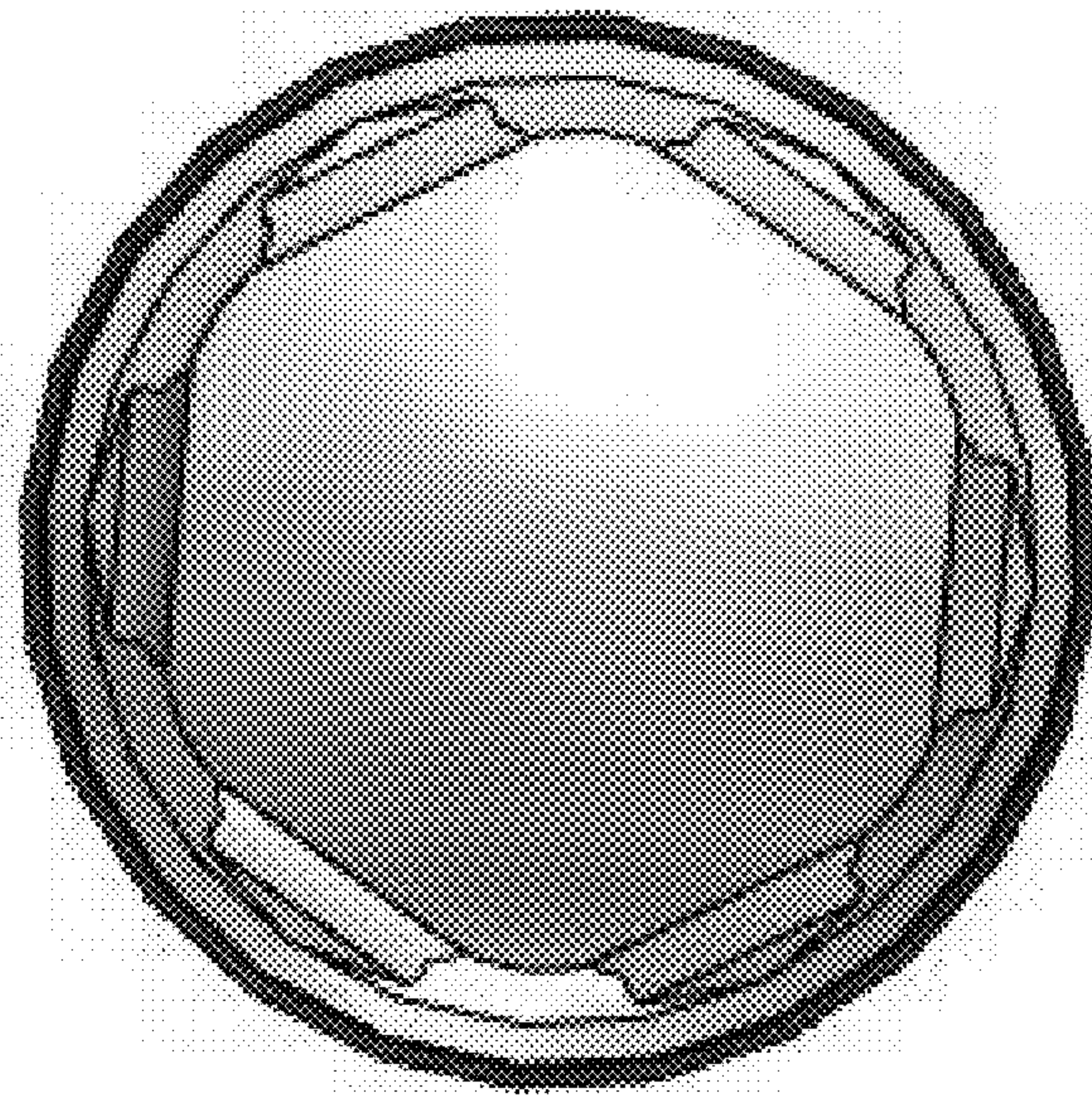


FIG. 9

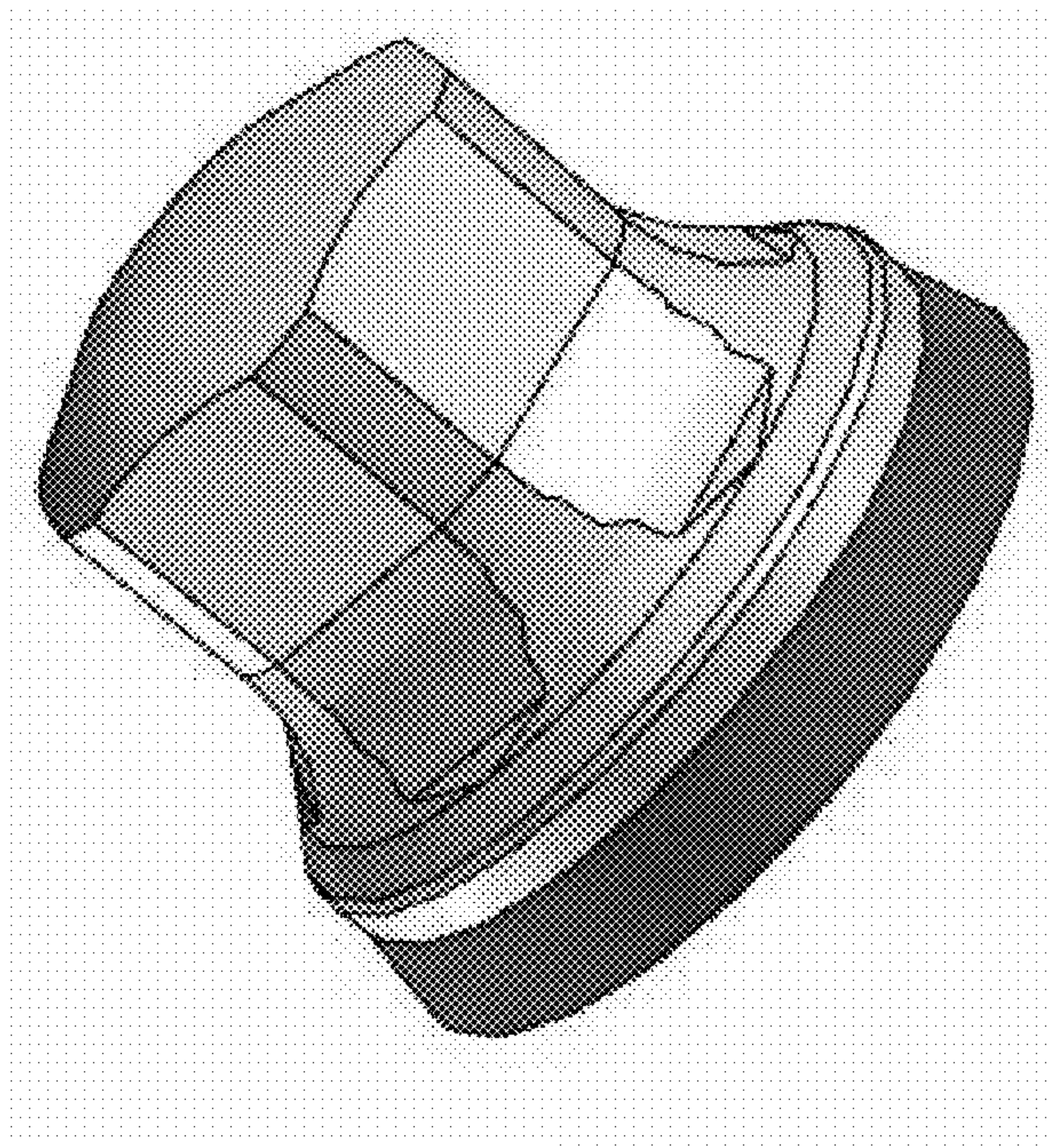


FIG. 10

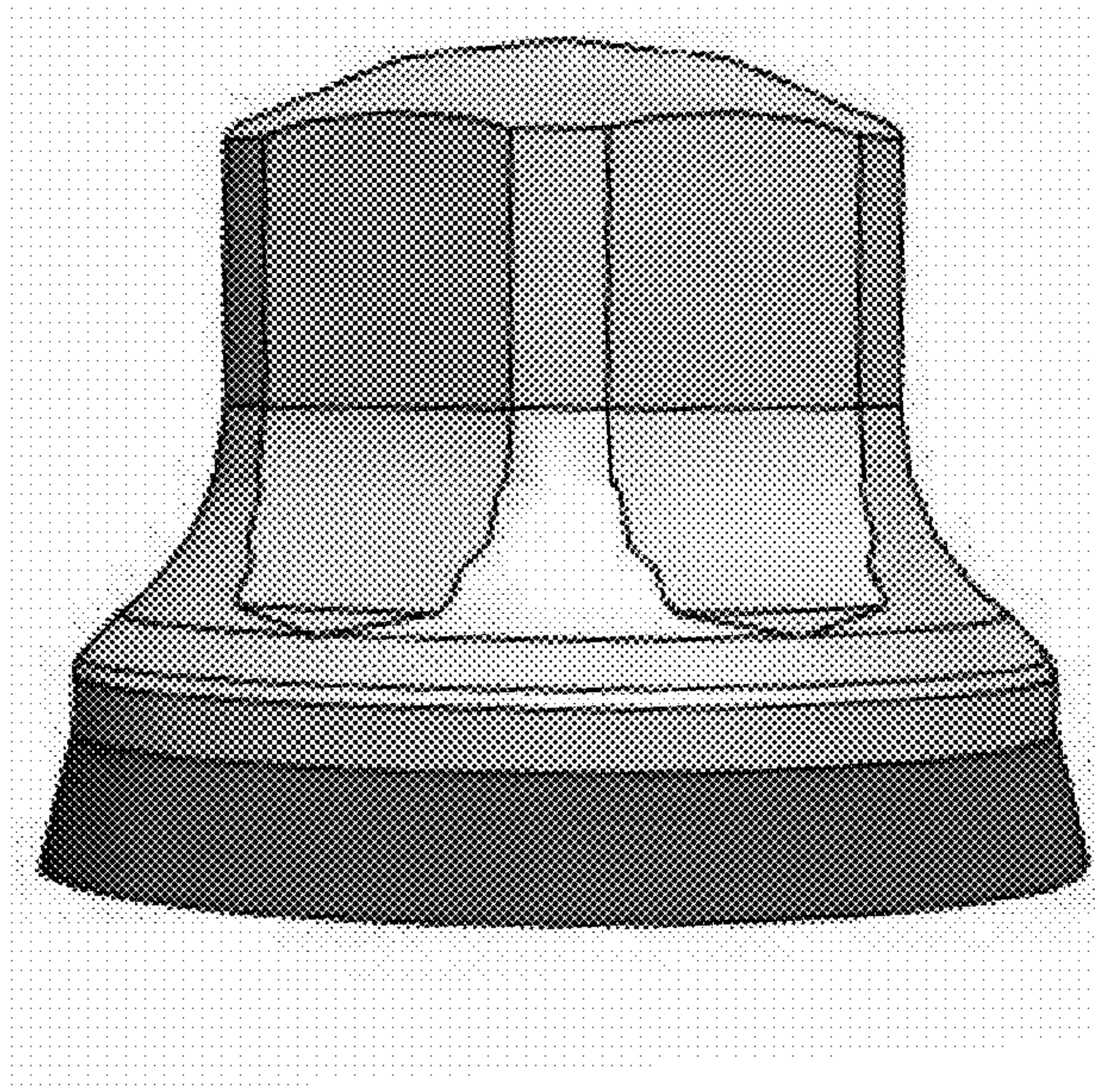


FIG. 11