



US00D950370S

(12) **United States Design Patent**
DeVore et al.

(10) **Patent No.:** **US D950,370 S**
(45) **Date of Patent:** **** May 3, 2022**

- (54) **WIRE CLIP**
- (71) Applicant: **BDG Innovations, LLC**, Sacramento, CA (US)
- (72) Inventors: **Larry DeVore**, Rocklin, CA (US);
David Stubben, Fair Oaks, CA (US);
Brent Iseman, Pleasanton, CA (US);
Kevin Austin, Herald, CA (US); **Randy Ross**, Tulare, CA (US); **Garrett Cope**, Ramona, CA (US); **Michael Schott**, Escondido, CA (US)
- (73) Assignee: **BDG Innovations, LLC**, Sacramento, CA (US)
- (**) Term: **15 Years**
- (21) Appl. No.: **29/736,888**
- (22) Filed: **Jun. 3, 2020**
- (51) **LOC (13) Cl.** **08-08**
- (52) **U.S. Cl.**
USPC **D8/395**
- (58) **Field of Classification Search**
USPC D8/70-72, 356, 358, 371-377, 380-381,
D8/394-398
CPC B65H 75/06; B65H 75/4473; H02G 11/02
See application file for complete search history.

- D265,926 S * 8/1982 D'Alo D24/143
 - 4,779,816 A * 10/1988 Varlet B65H 75/06
24/910
 - D309,280 S * 7/1990 Balfanz-Lee D11/201
 - D341,977 S * 12/1993 Schon D6/580
 - D378,053 S * 2/1997 Forbis D8/358
 - D389,731 S * 1/1998 Forbis D8/395
 - D488,372 S * 4/2004 Gambrell D8/356
 - 6,802,471 B1 * 10/2004 Gambrell B65H 75/06
191/12 R
 - D501,394 S * 2/2005 Franks, Jr. D8/356
- (Continued)

OTHER PUBLICATIONS

“Schoolsource Ceiling Hanger Grip Clips”, Mar. 14, 2007, Amazon.com, site visited Nov. 1, 2021: <https://www.amazon.com/Schoolsource-Ceiling-Hanger-Grip-Clips/dp/B000QE66PS> (Year: 2007).*

(Continued)

Primary Examiner — Jack Reickel
Assistant Examiner — Michael A Kervin
(74) *Attorney, Agent, or Firm* — Temmerman Law;
Mathew J. Temmerman

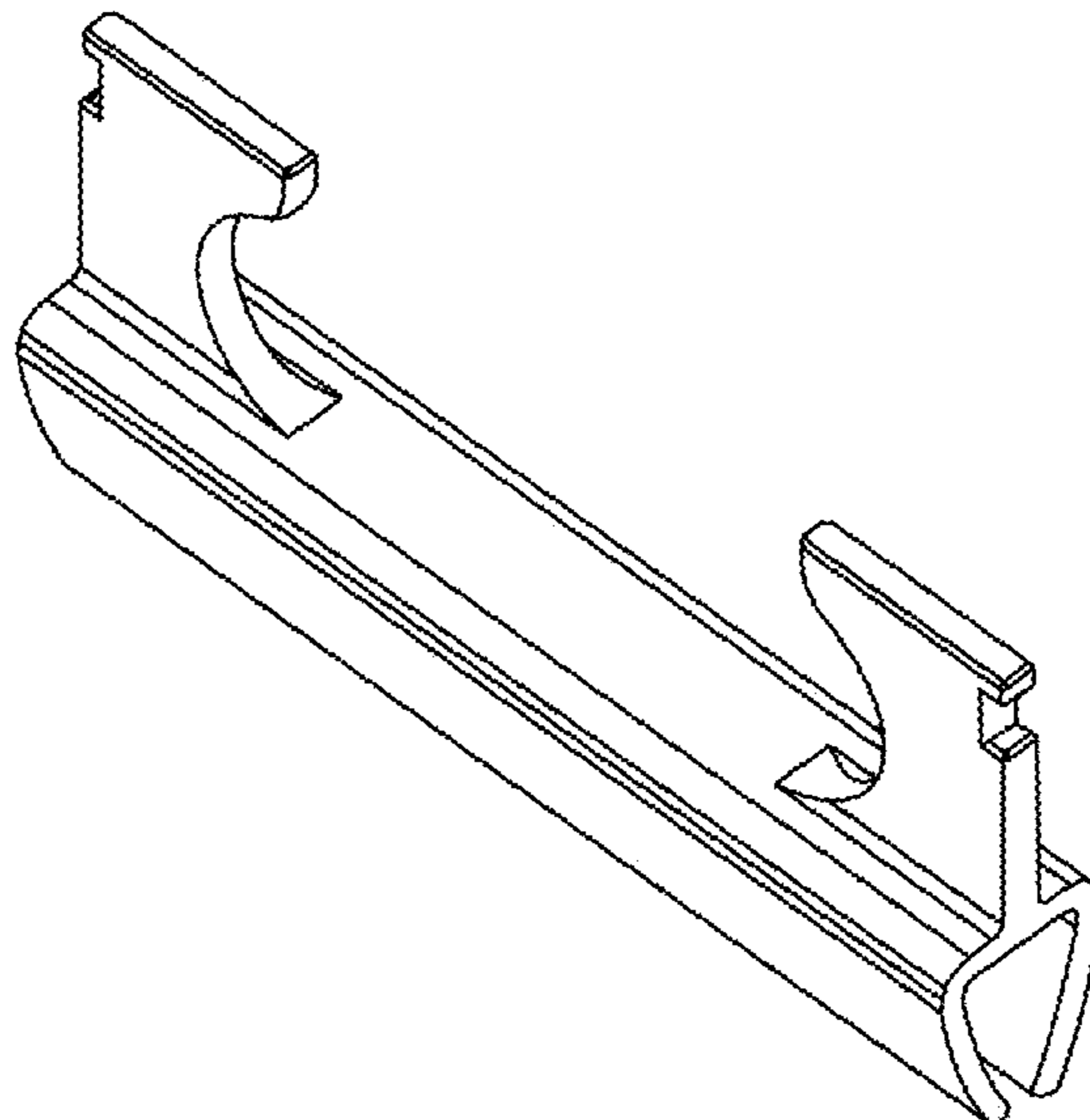
(57) **CLAIM**
The ornamental design for a wire clip, as shown and described.

DESCRIPTION

FIG. 1 is a first perspective view of a wire clip, showing our new design;
FIG. 2 is a second perspective view thereof;
FIG. 3 is a top view thereof;
FIG. 4 is a bottom view thereof;
FIG. 5 is a left side view thereof;
FIG. 6 is a right side view thereof;
FIG. 7 is a front view thereof;
FIG. 8 is a rear view thereof; and,
FIG. 9 is a third perspective view thereof.

1 Claim, 4 Drawing Sheets

- (56) **References Cited**
U.S. PATENT DOCUMENTS
- D57,996 S * 5/1921 Schalow D11/215
- 2,470,811 A * 5/1949 Engleman A47K 10/12
40/658
- D210,142 S * 2/1968 Kennedy D8/358
- 3,901,458 A * 8/1975 Kuncz, Jr. A01K 89/08
242/405.2
- 4,261,529 A * 4/1981 Sandberg B65H 75/06
242/405.2
- D260,083 S * 8/1981 Strickland D9/443



(56)

References Cited

U.S. PATENT DOCUMENTS

D510,257 S	*	10/2005	Marty	D8/356
D512,628 S	*	12/2005	Franks, Jr.	D8/356
D576,406 S	*	9/2008	Chan	D3/318
D629,671 S	*	12/2010	Ohori	D8/356
D730,721 S	*	6/2015	Degan	D8/356
D815,517 S	*	4/2018	Van Fleet	D8/396
D851,448 S	*	6/2019	Ko	D7/402
D927,284 S	*	8/2021	Atalla	D8/323

OTHER PUBLICATIONS

“Rhoost Blind Cord Wind Up”, Dec. 19, 2011, Amazon.com, site visited Nov. 1, 2021: <https://www.amazon.com/Rhoost-Blind-Cord-Wind-Up/dp/B00U64W9T0> (Year: 2011).*

“EWSE Series Edge Wire Saddle”, 1018/2015, DigiKey.be, site visited Nov. 1, 2021: <https://web.archive.org/web/20151018094031/https://www.digikey.be/catalog/en/partgroup/ewse-series/51084> (Year: 2015).*

* cited by examiner

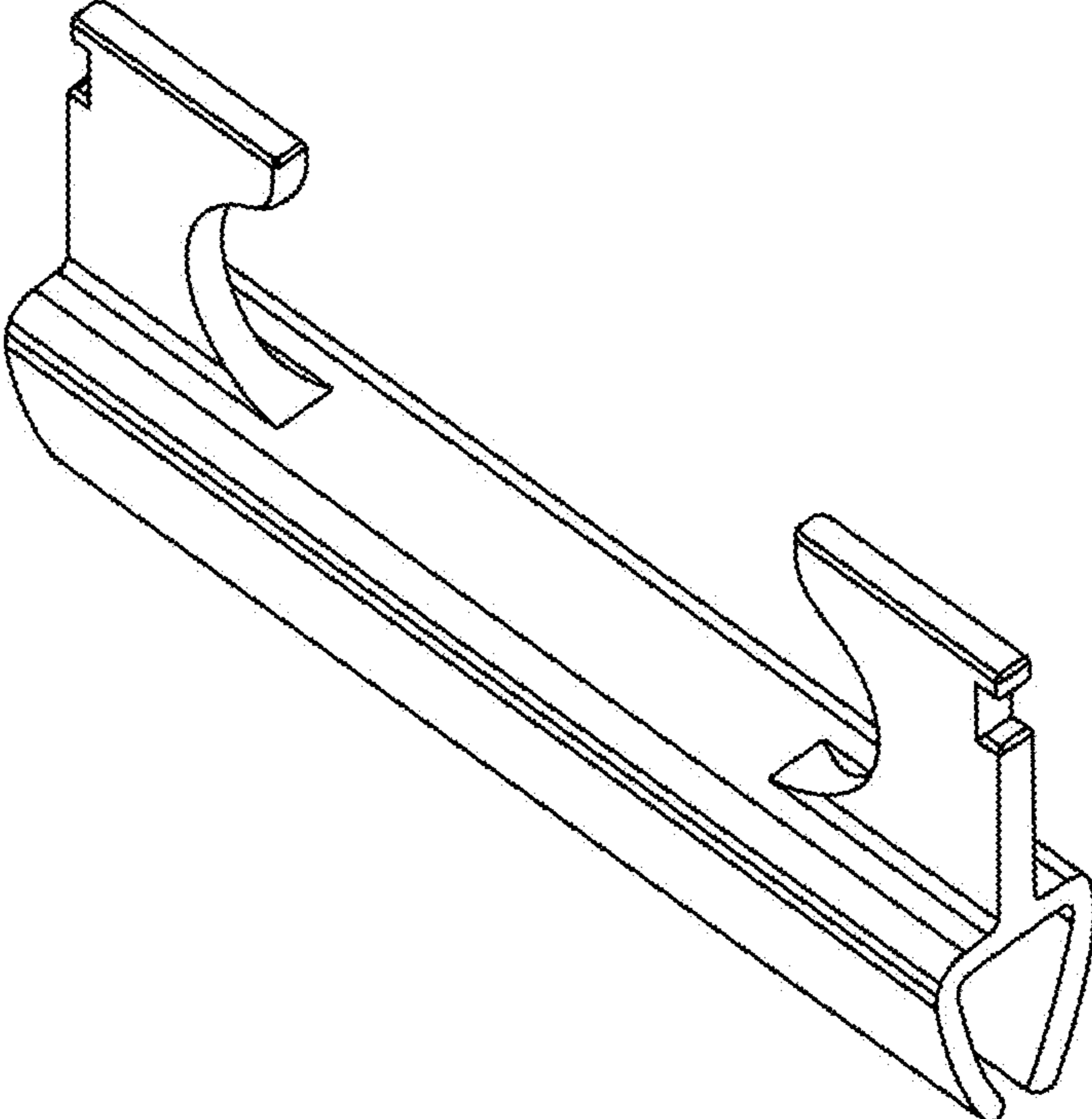


FIG. 1



FIG. 2

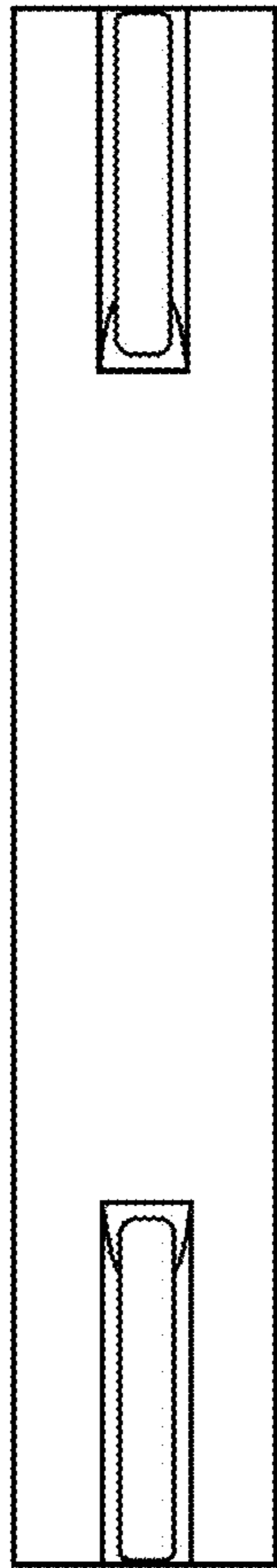


FIG. 3

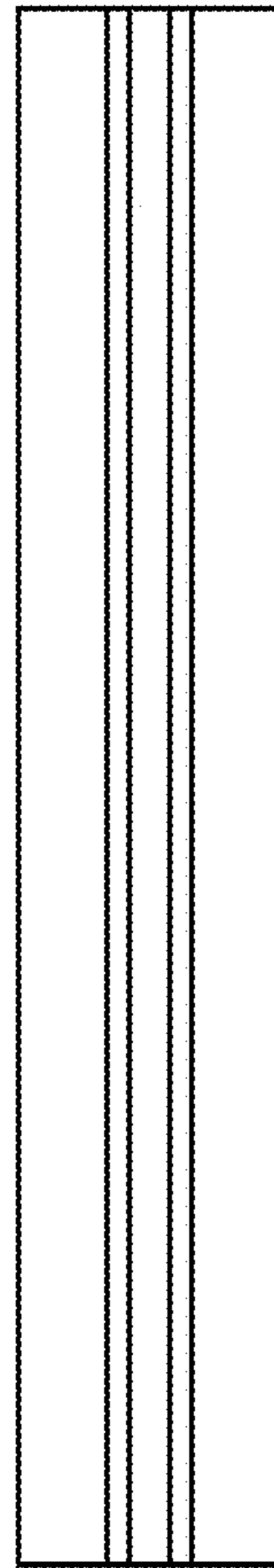


FIG. 4

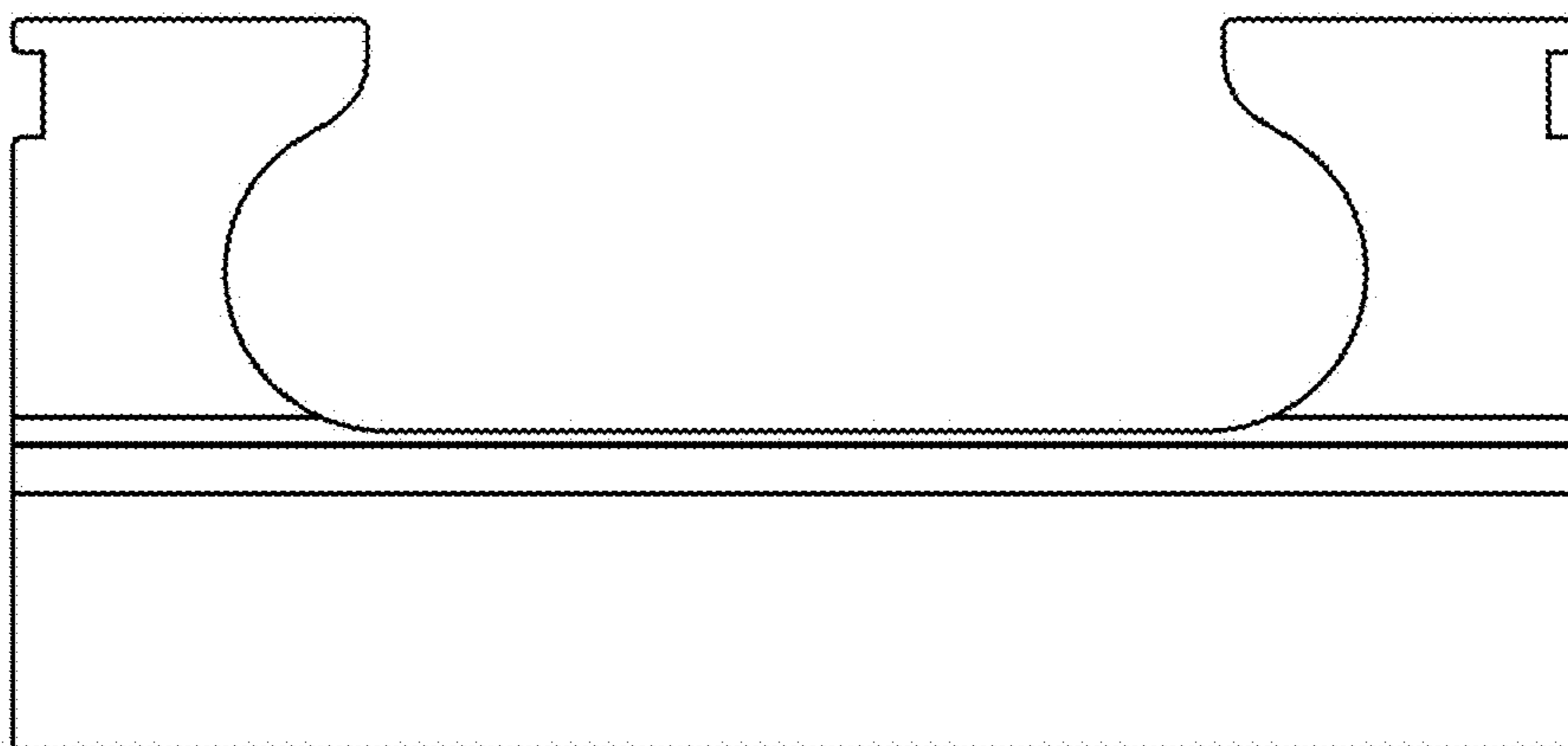


FIG. 5

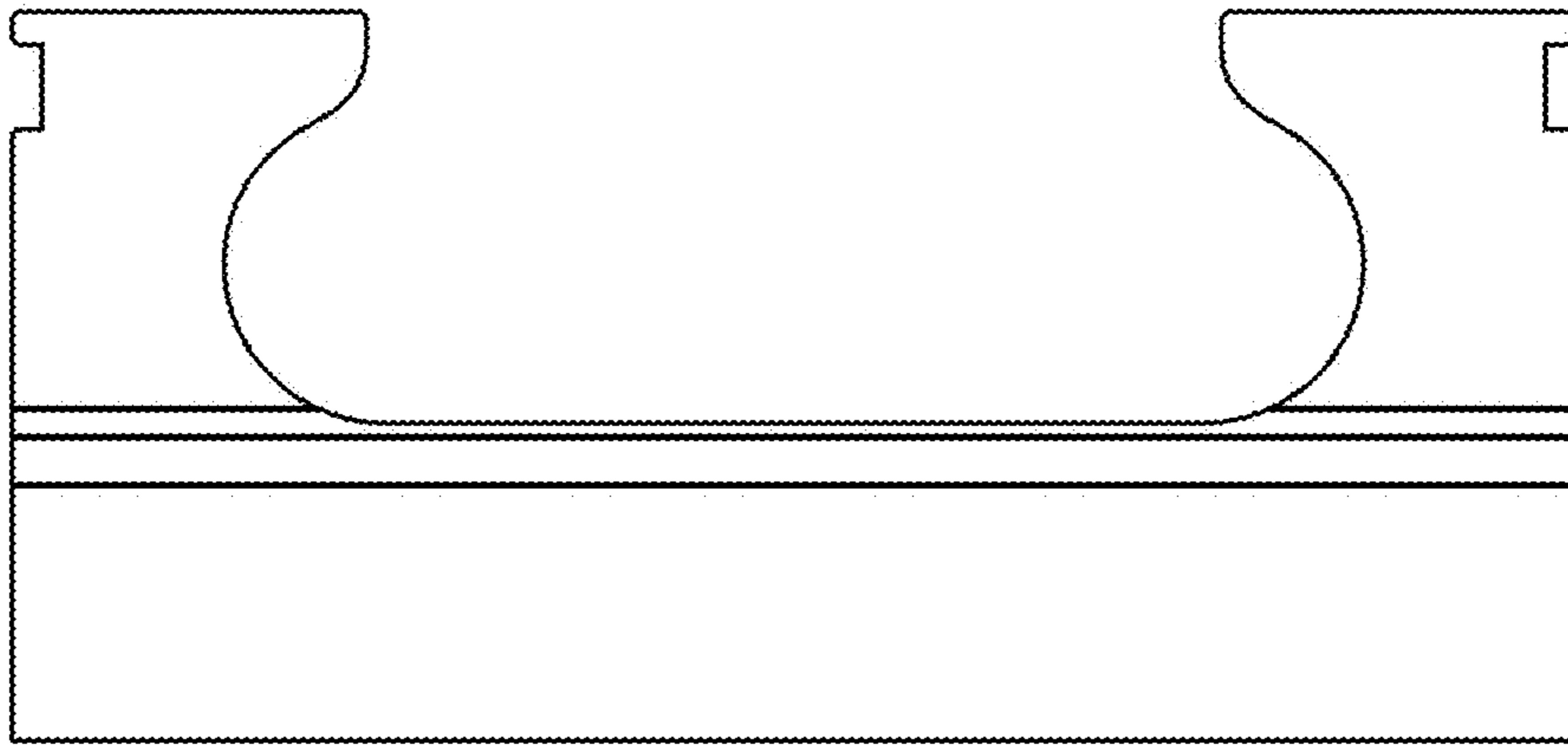


FIG. 6

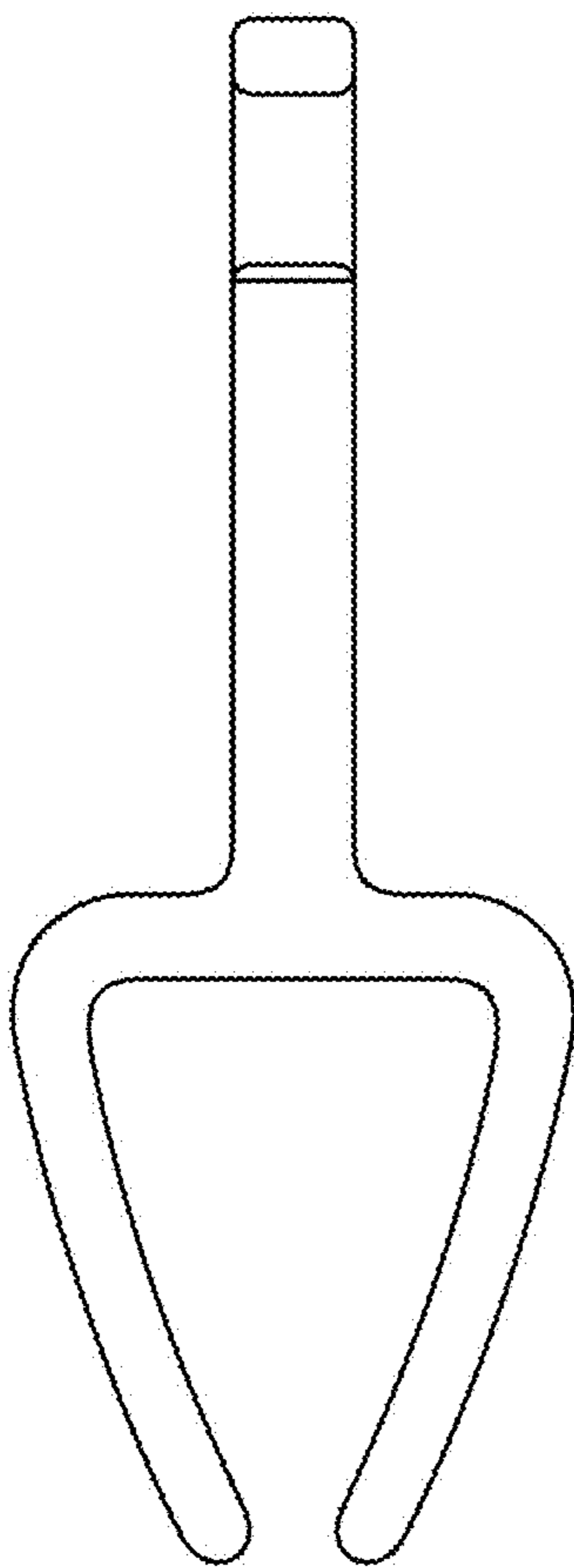


FIG. 7

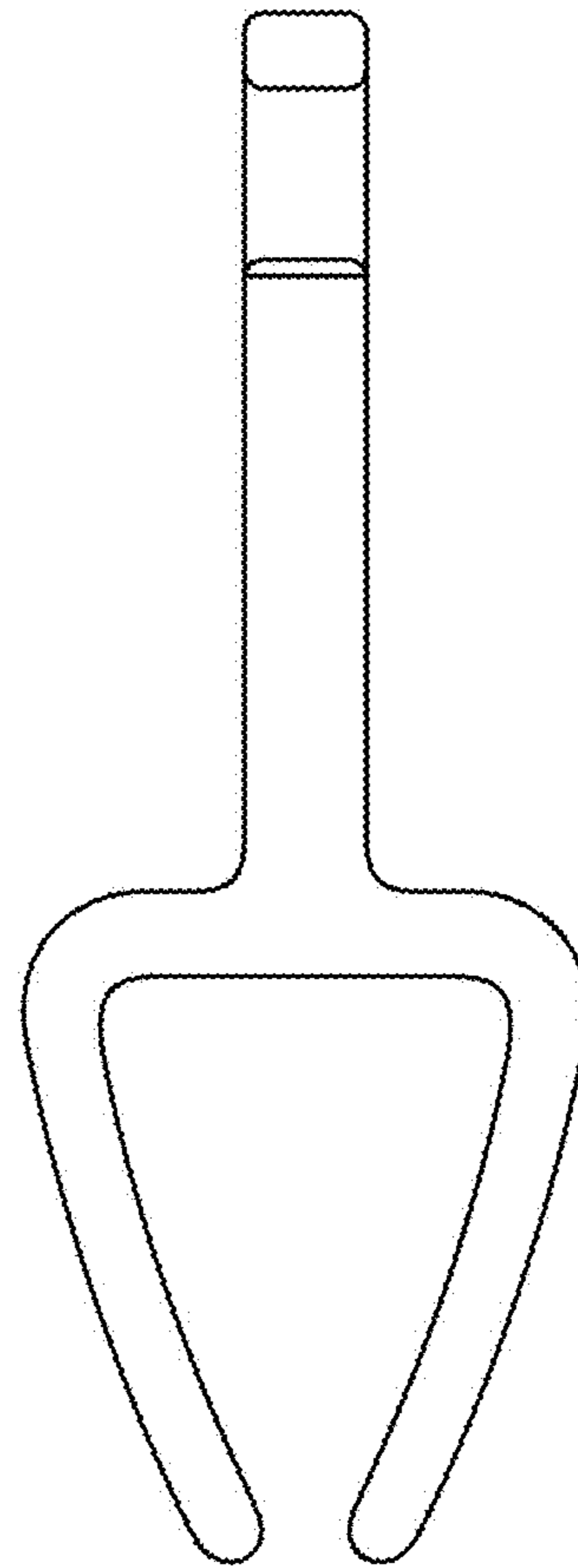


FIG. 8

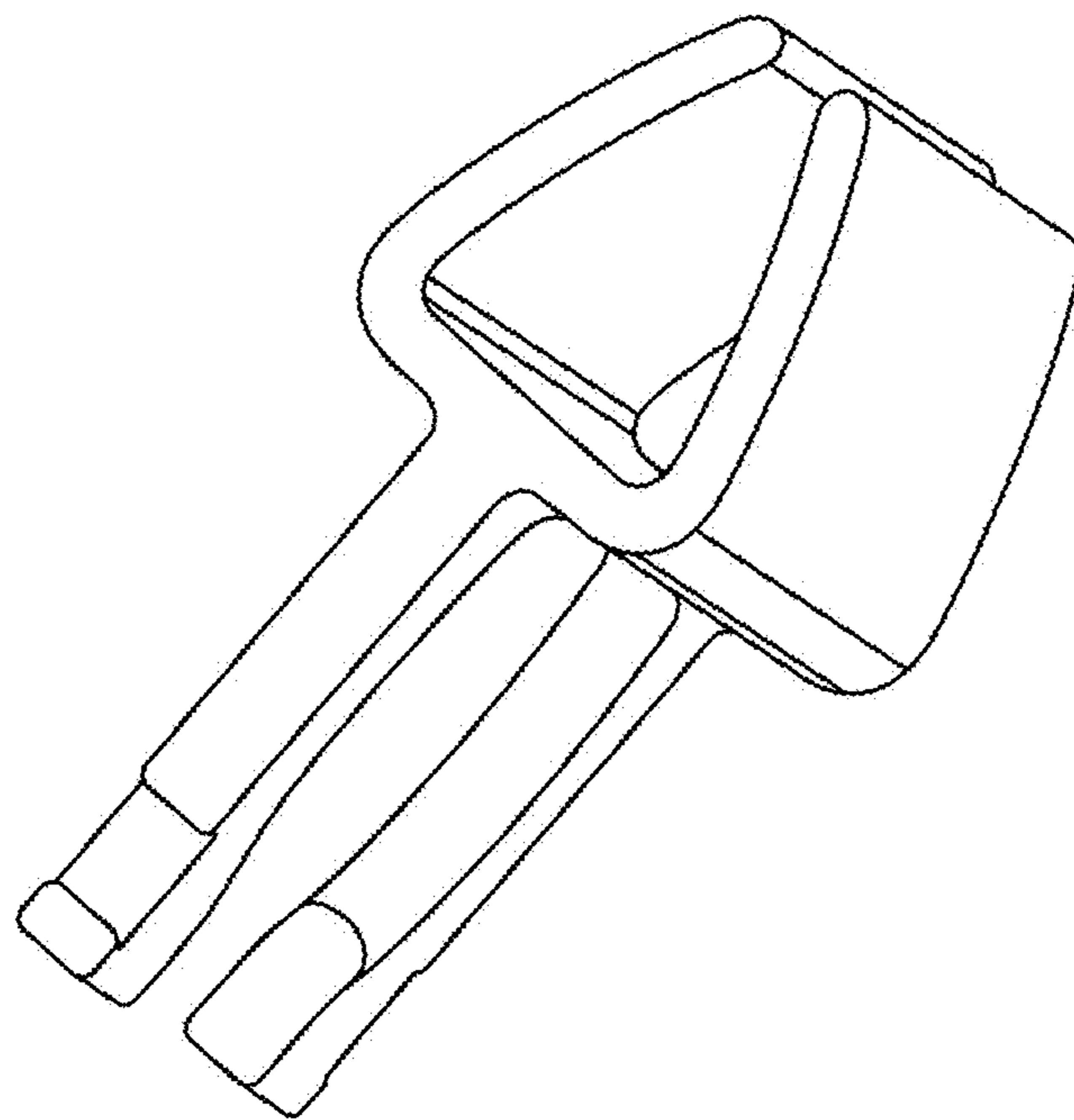


FIG. 9