



US00D950368S

(12) **United States Design Patent** (10) **Patent No.:** **US D950,368 S**  
**Wang** (45) **Date of Patent:** **\*\* May 3, 2022**

(54) **FASTENER**  
(71) Applicant: **FIVETECH TECHNOLOGY INC.,**  
New Taipei (TW)  
(72) Inventor: **Ting-Jui Wang,** New Taipei (TW)  
(73) Assignee: **FIVETECH TECHNOLOGY INC.,**  
New Taipei (TW)  
(\*\*) Term: **15 Years**  
(21) Appl. No.: **29/716,777**  
(22) Filed: **Dec. 12, 2019**  
(51) **LOC (13) Cl.** ..... **08-08**  
(52) **U.S. Cl.**  
USPC ..... **D8/382**  
(58) **Field of Classification Search**  
USPC ..... D8/300, 307, 310, 321, 382, 354, 387,  
D8/395, 499  
CPC ..... F16B 41/002; F16B 5/0208; F16B 39/28;  
Y10S 411/97; Y10S 411/999  
See application file for complete search history.

(56) **References Cited**

**U.S. PATENT DOCUMENTS**

D279,163 S \* 6/1985 Lye ..... D8/25  
D283,591 S \* 4/1986 Swanstrom ..... D8/382  
5,209,018 A \* 5/1993 Heinrich ..... E05B 65/0841  
411/347  
D391,844 S \* 3/1998 Ropponen ..... D8/382  
D392,179 S \* 3/1998 Ropponen ..... D8/387  
6,644,903 B1 \* 11/2003 Arand ..... F16B 5/0208  
411/107  
D496,852 S \* 10/2004 Gass ..... D8/387  
D607,714 S \* 1/2010 Zhang ..... D8/382  
D627,215 S \* 11/2010 Summers ..... D8/387  
D639,647 S \* 6/2011 Summers ..... D8/387  
D639,648 S \* 6/2011 Summers ..... D8/387  
D639,649 S \* 6/2011 Summers ..... D8/387

D639,650 S \* 6/2011 Summers ..... D8/387  
D639,651 S \* 6/2011 Summers ..... D8/387  
D656,392 S \* 3/2012 McKenna ..... D8/382  
8,893,369 B2 \* 11/2014 Wang ..... H05K 3/3447  
29/453  
D729,052 S \* 5/2015 Summers ..... D8/387  
9,111,903 B2 \* 8/2015 Xia ..... H01L 23/4006  
D834,929 S \* 12/2018 Wang ..... D8/382  
2003/0175091 A1 \* 9/2003 Aukzemas ..... F16B 5/0266  
411/107  
2005/0129461 A1 \* 6/2005 Bruno ..... F16B 5/0208  
403/408.1  
2009/0191976 A1 \* 7/2009 Wang ..... F16B 5/0208  
470/2  
2009/0202319 A1 \* 8/2009 Wang ..... F16B 5/0208  
411/353  
2009/0313804 A1 \* 12/2009 Wang ..... F16B 5/0208  
29/525.11  
2012/0237316 A1 \* 9/2012 Chiu ..... F16B 5/0208  
411/353

(Continued)

*Primary Examiner* — Sandra Snapp  
*Assistant Examiner* — Ieisha N Price

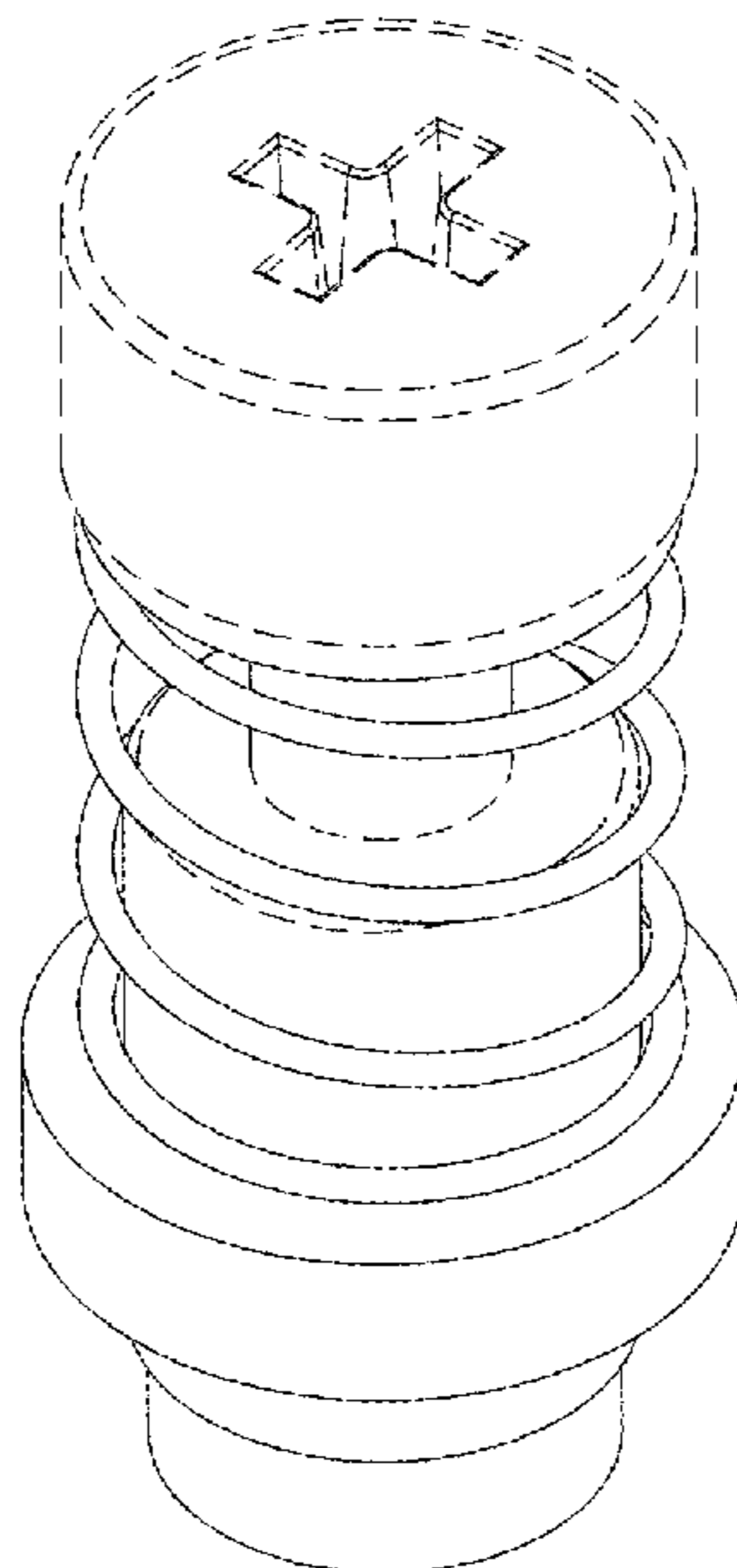
(57) **CLAIM**

The ornamental design for a fastener, as shown and described.

**DESCRIPTION**

FIG. 1 is a perspective view of a fastener showing my new design;  
FIG. 2 is a front elevation view thereof;  
FIG. 3 is a rear elevation view thereof;  
FIG. 4 is a left side elevation view thereof;  
FIG. 5 is a right side elevation view thereof;  
FIG. 6 is a top plan view thereof; and,  
FIG. 7 is a bottom plan view thereof.  
The broken lines in the drawings illustrate portions of the fastener and form no part of the claimed design.

**1 Claim, 4 Drawing Sheets**



(56)

**References Cited**

U.S. PATENT DOCUMENTS

2013/0056192 A1\* 3/2013 Lee ..... F16B 41/002  
165/185  
2015/0267730 A1\* 9/2015 He ..... F16B 5/0208  
411/352  
2015/0292539 A1\* 10/2015 Tseng ..... F16B 5/0208  
411/132

\* cited by examiner

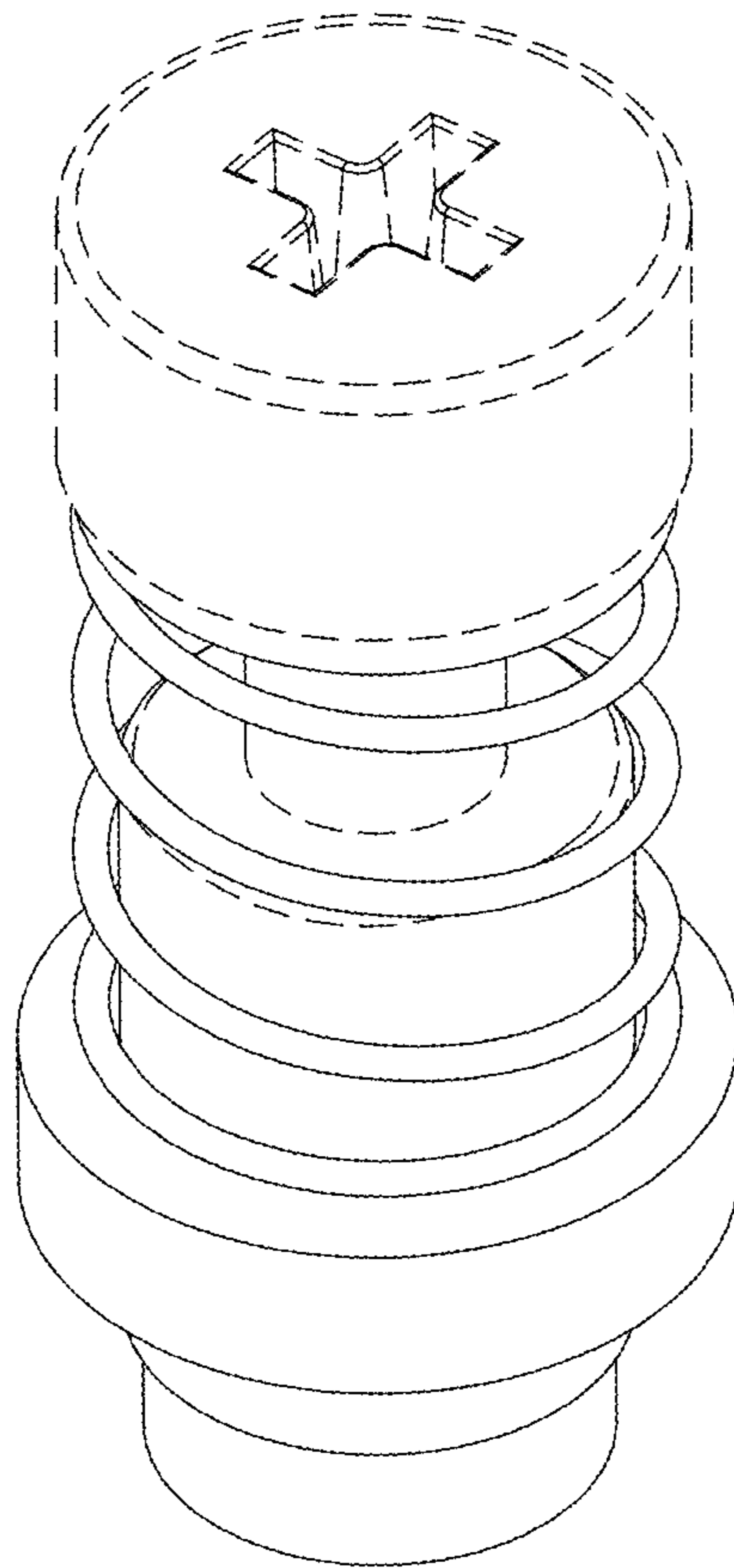


FIG. 1

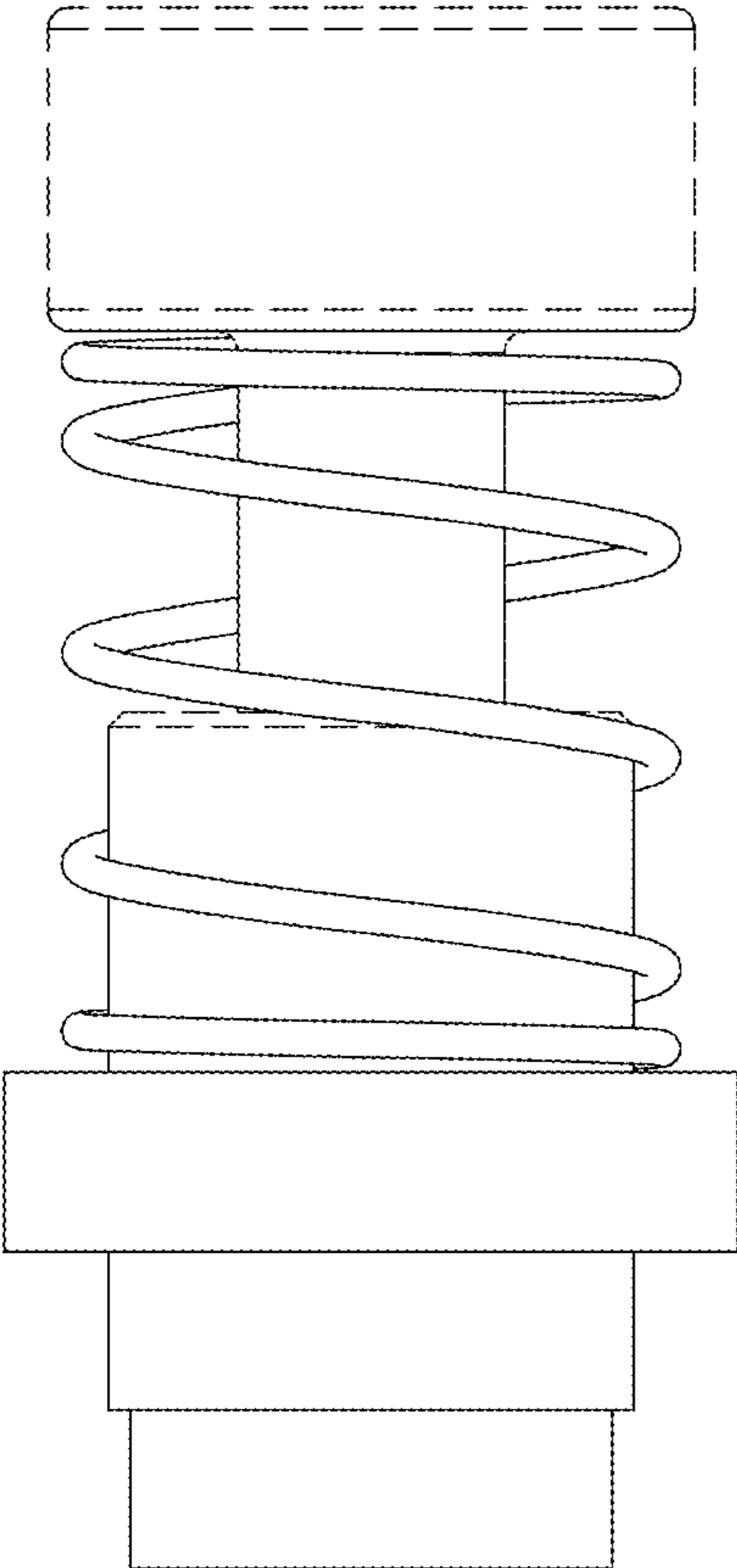


FIG. 2

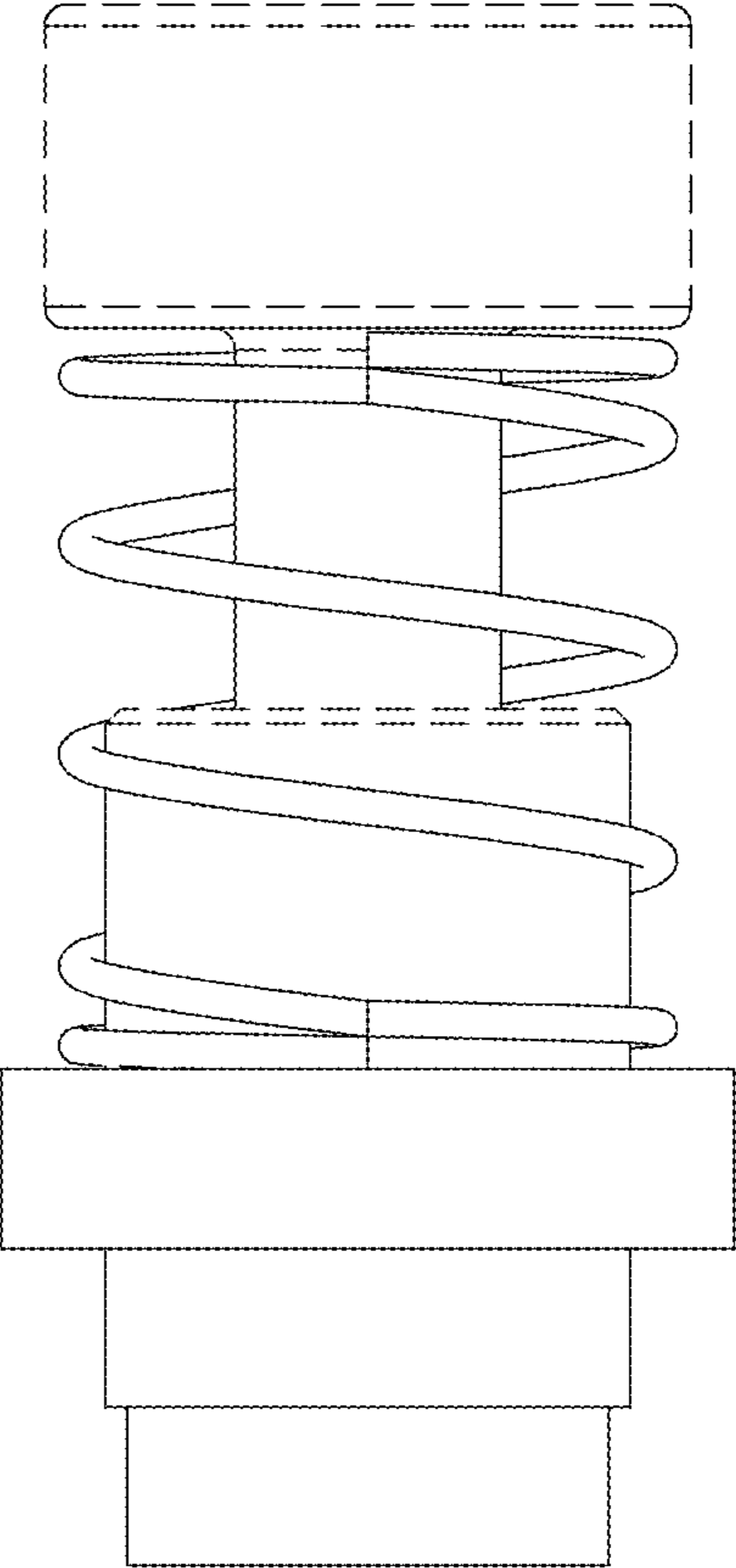


FIG. 3

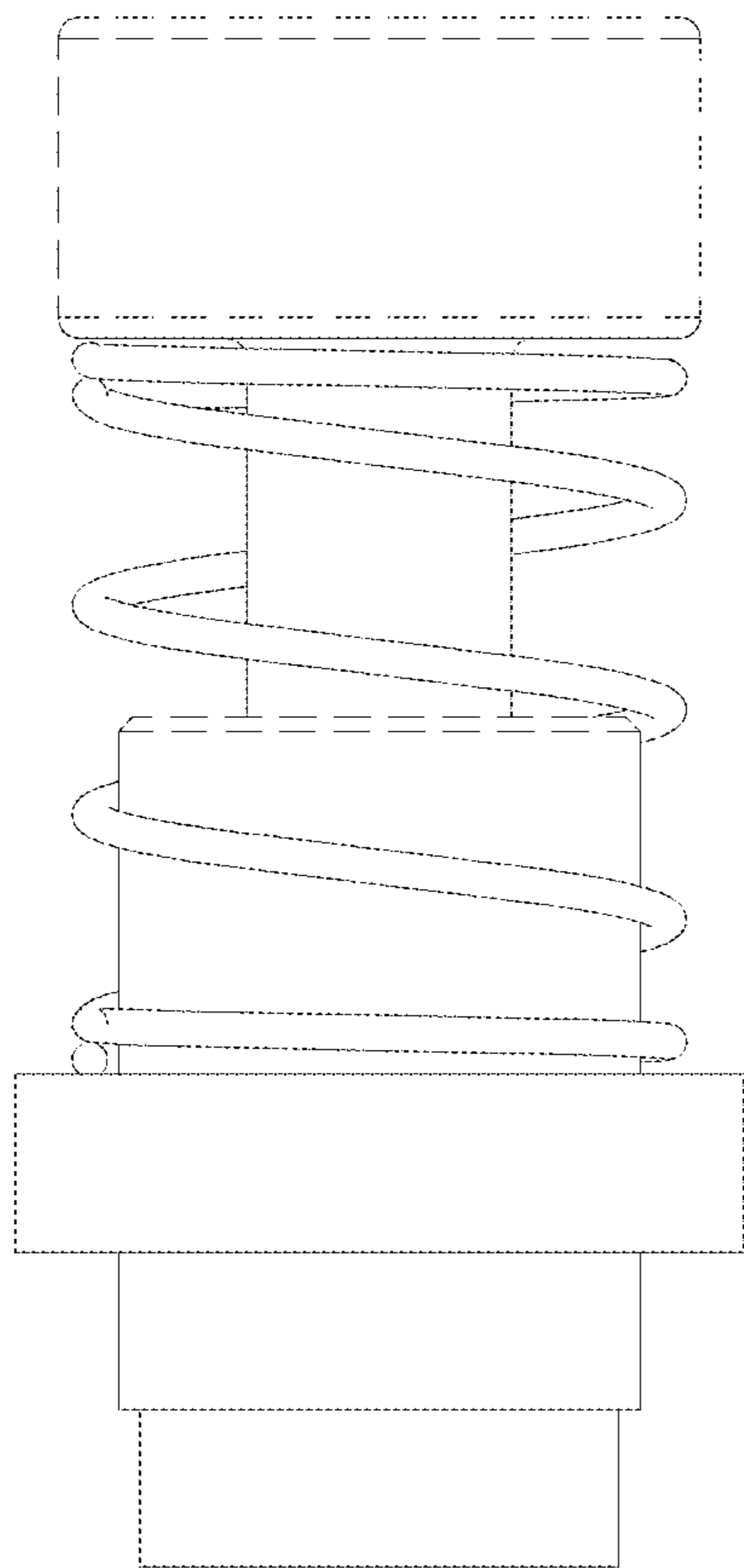


FIG. 4

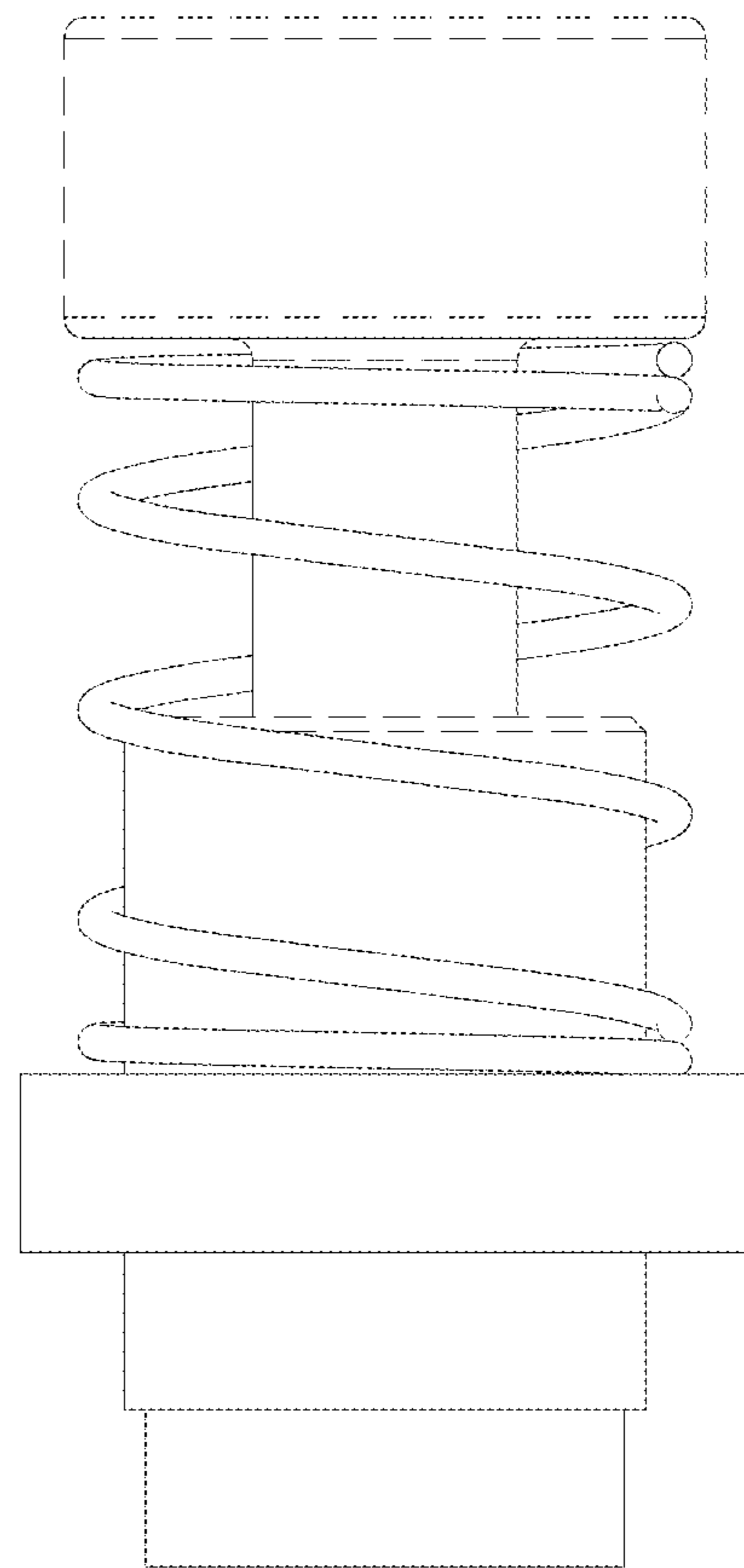


FIG. 5

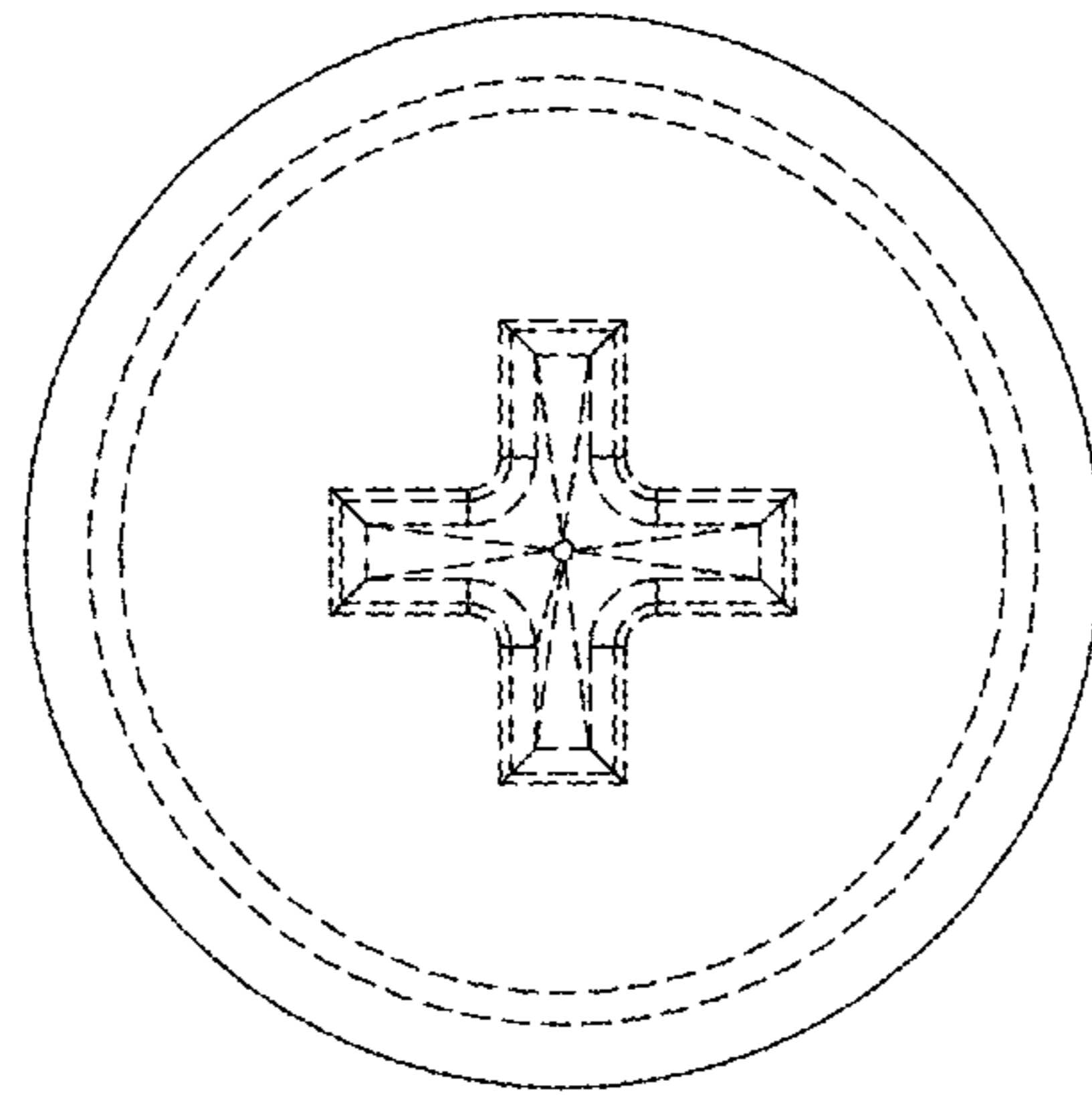


FIG. 6

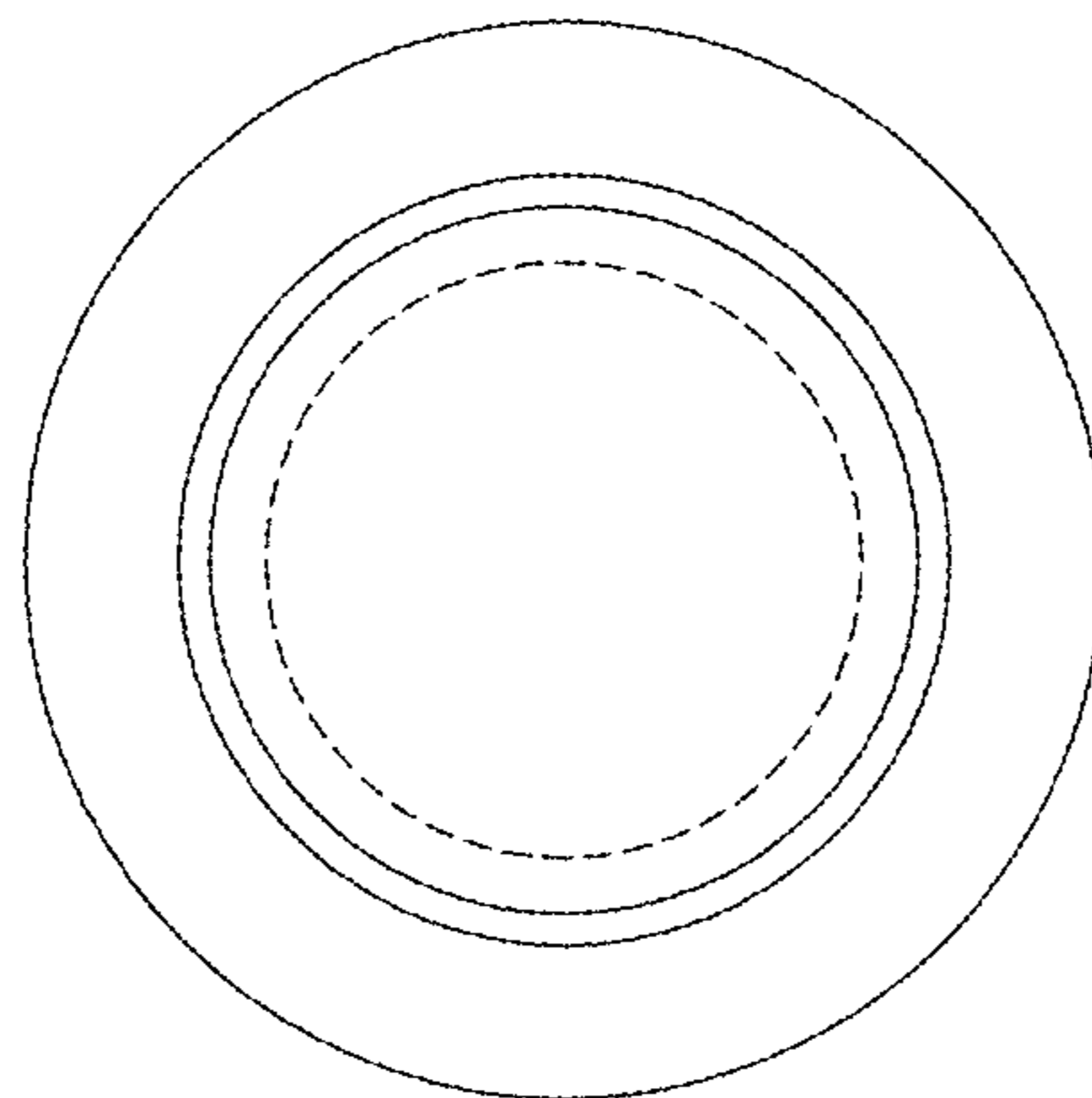


FIG. 7