



US00D950367S

(12) **United States Design Patent**
Elliott

(10) **Patent No.:** **US D950,367 S**

(45) **Date of Patent:** **** May 3, 2022**

(54) **SHOWER LINER HANGER**

(71) Applicant: **Kenney Manufacturing Company,**
Warwick, RI (US)

(72) Inventor: **Timothy Elliott,** Attleboro, MA (US)

(73) Assignee: **Kenney Manufacturing Company,**
Warwick, RI (US)

(**) Term: **15 Years**

(21) Appl. No.: **29/725,696**

(22) Filed: **Feb. 26, 2020**

(51) **LOC (13) Cl.** **08-05**

(52) **U.S. Cl.**
USPC **D8/372**

(58) **Field of Classification Search**
USPC D8/394-399, 380, 373, 372, 370, 369,
D8/368, 367, 333, 301, 302, 307, 323,
D8/330, 331, 336, 341, 346, 19, 16, 13;
D6/326, 328-317, 315; D3/207-212;
D29/113, 117.2; D99/99; D22/149
CPC B67B 7/14; A47B 96/027; A47F 5/0823;
A47G 1/20; A47G 1/202; A47G 1/22;
A47G 2001/0672; A47G 29/10; A47H
1/102; B43L 1/00; F16B 15/00; F16B
15/02; F16B 35/00; F16B 45/00; F16M
13/02

See application file for complete search history.

(56) **References Cited**

U.S. PATENT DOCUMENTS

D26,380 S * 12/1896 Harden D8/499
2,099,199 A * 11/1937 Devendor A44B 11/04
24/198
2,212,862 A * 8/1940 Hirsh A44B 11/04
24/198
D252,610 S * 8/1979 Miavitz D8/367

D359,235 S * 6/1995 Kennedy 294/137
D366,994 S * 2/1996 Byers D16/330
D412,649 S * 8/1999 Najarian D8/1
6,041,454 A 3/2000 Summerford
7,735,189 B2 6/2010 Richardson
D664,423 S 7/2012 Cittadino et al.
8,286,304 B2 10/2012 Valade
8,381,374 B2 2/2013 Henry et al.
D698,636 S * 2/2014 Weinberg D8/394
D712,728 S * 9/2014 Ng D8/394
9,107,544 B2 8/2015 Cittadino et al.
D805,192 S * 12/2017 Mahood D24/127
10,448,774 B1 10/2019 Brown et al.
2008/0178423 A1 7/2008 Patel
2009/0302182 A1 12/2009 Cittadino
2010/0218905 A1 9/2010 Stern
2011/0219533 A1 9/2011 Hu et al.
2013/0167335 A1 7/2013 Henry et al.
2017/0208981 A1 7/2017 Nir et al.

* cited by examiner

Primary Examiner — Rachel A. Voorhies
Assistant Examiner — Benjamin D. Wannemacher
(74) *Attorney, Agent, or Firm* — Adler Pollock &
Sheehan P.C.

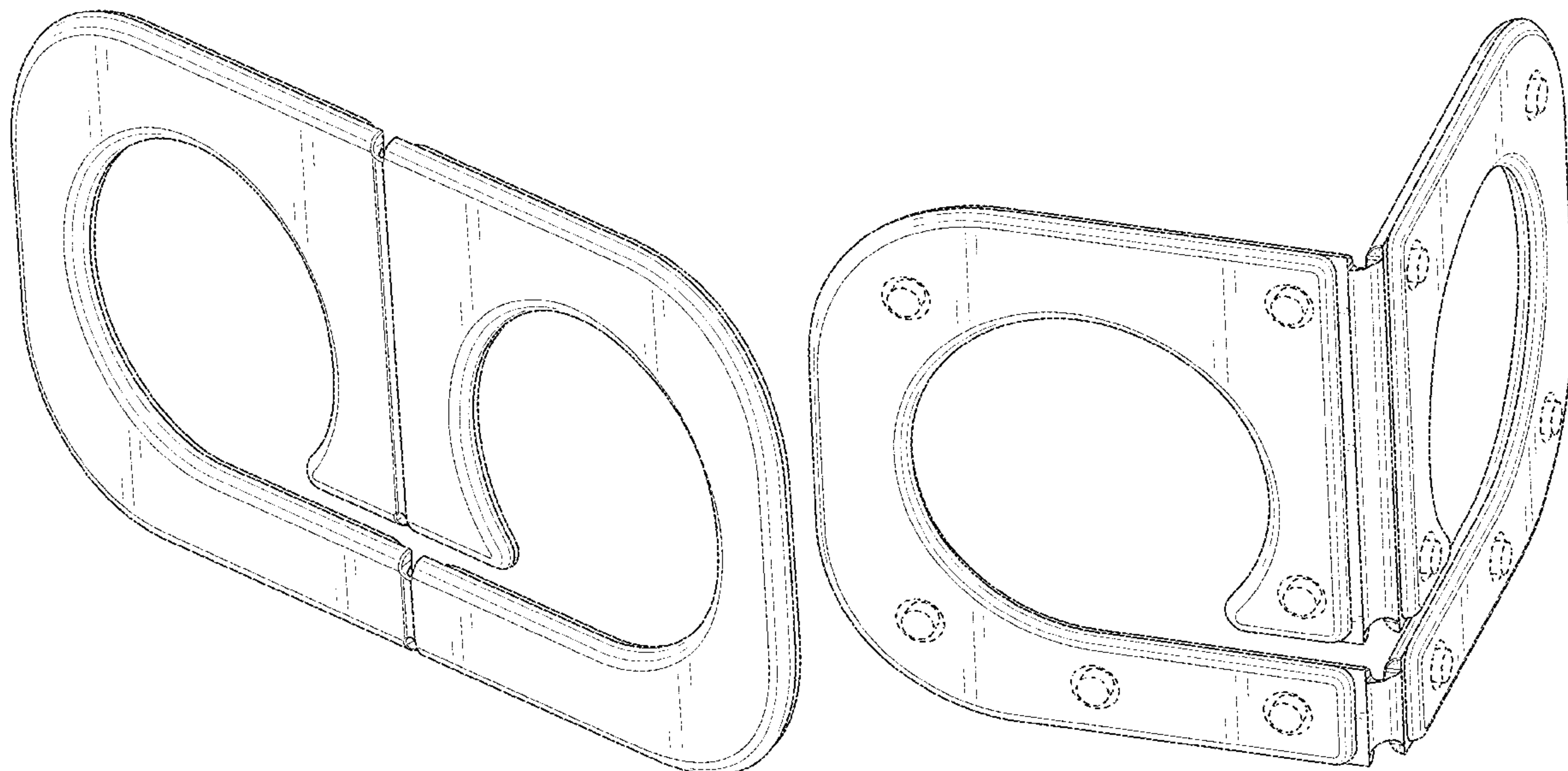
(57) **CLAIM**

The ornamental design for a shower liner hanger, as shown and described.

DESCRIPTION

FIG. 1 is a front perspective view of the shower liner hanger according to my new design;
FIG. 2 is a rear perspective view thereof, in a use position;
FIG. 3 is a front view thereof;
FIG. 4 is a rear view thereof;
FIG. 5 is a side view thereof;
FIG. 6 is an opposite side view thereof;
FIG. 7 is a top view thereof; and,
FIG. 8 is a bottom view thereof.

1 Claim, 6 Drawing Sheets



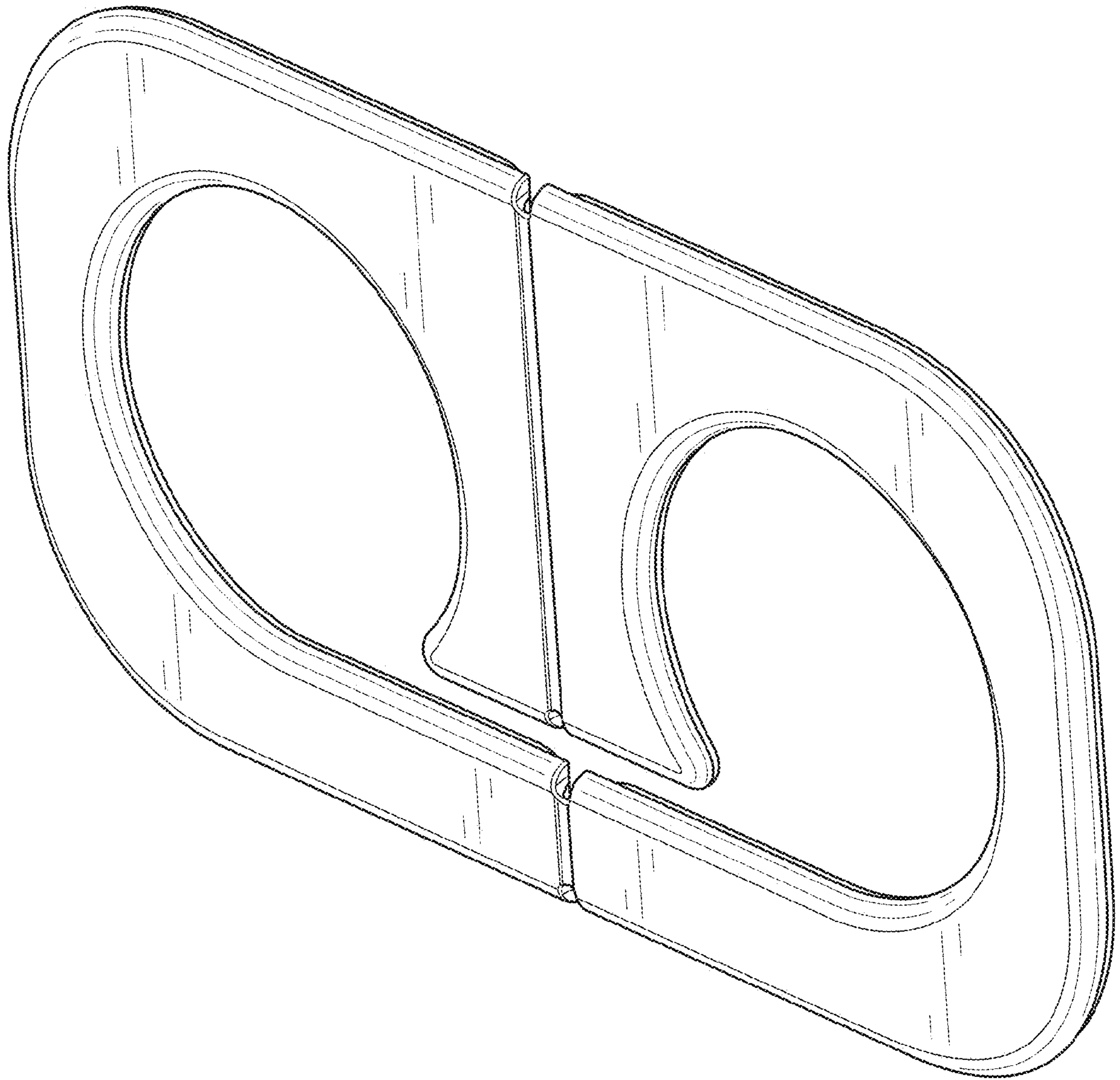


FIG. 1

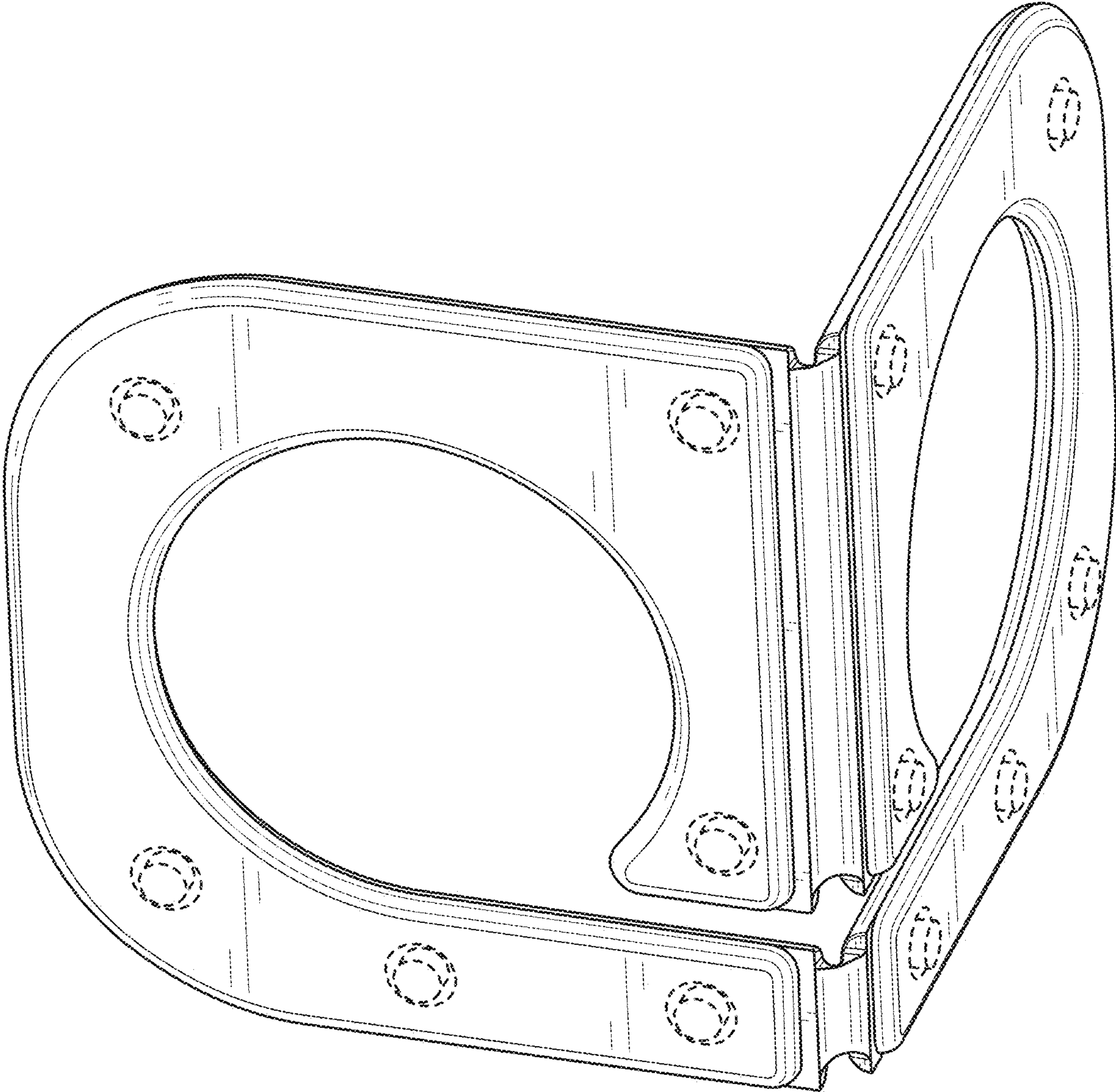


FIG. 2

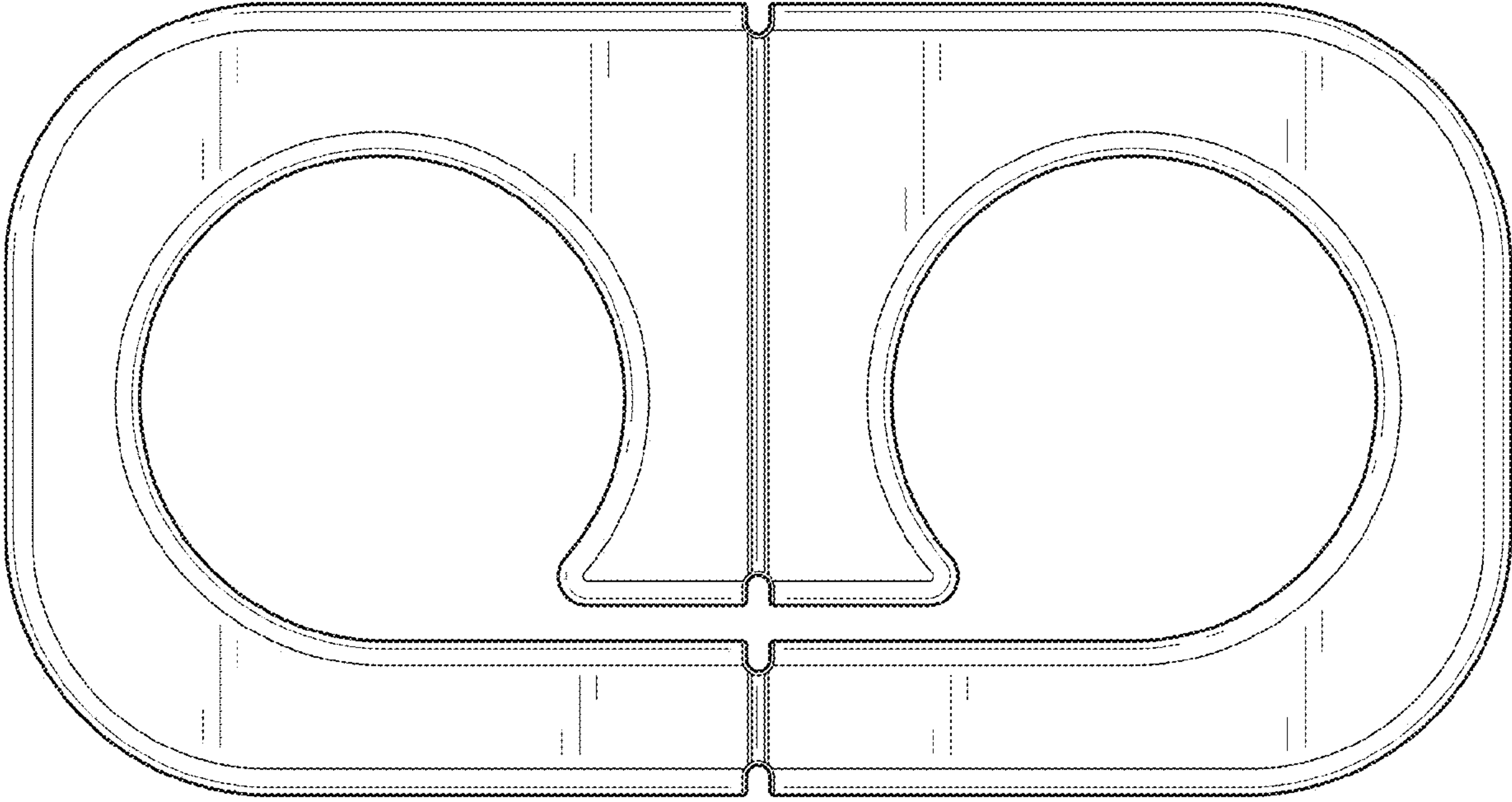


FIG. 3

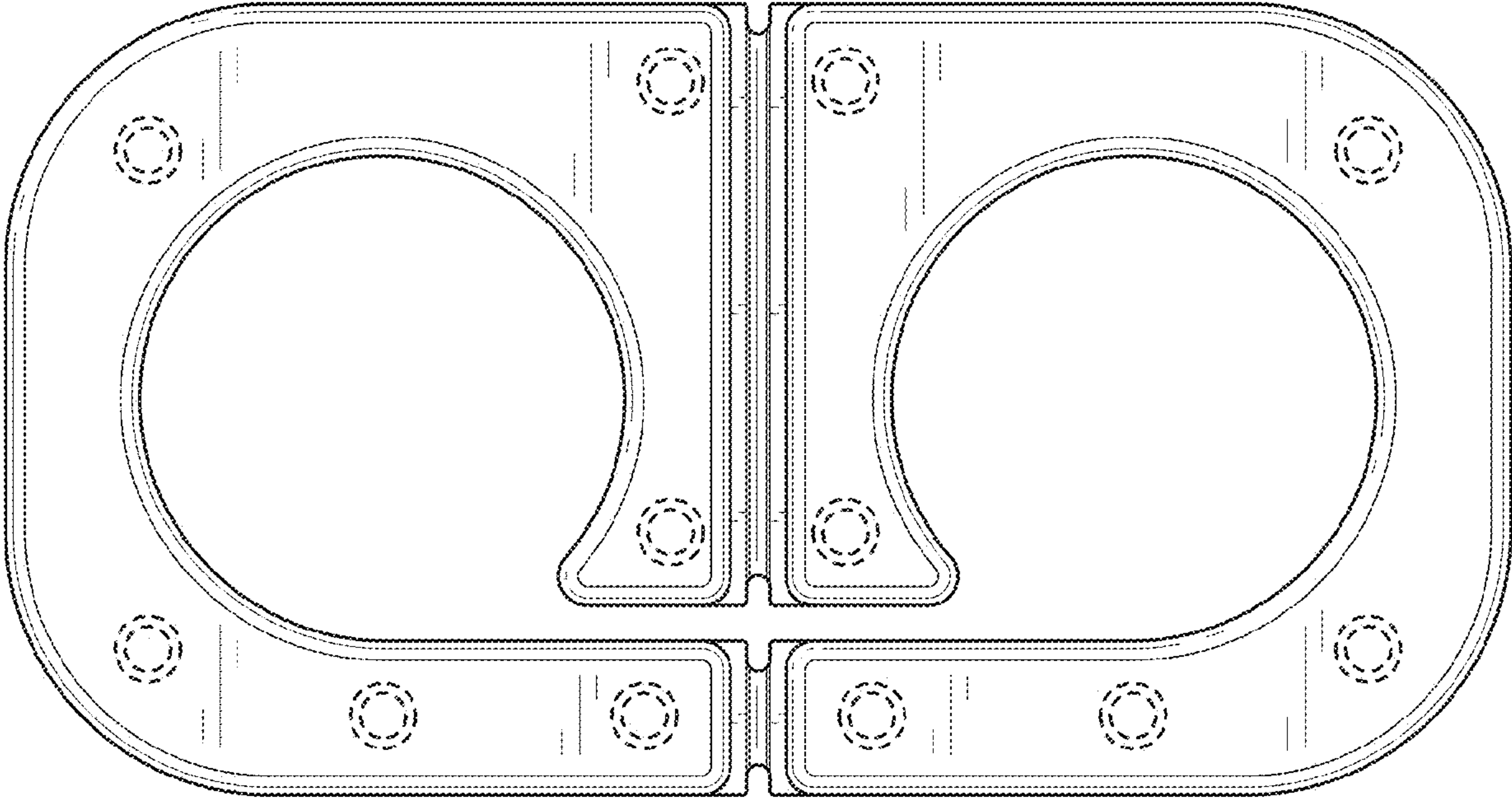


FIG. 4

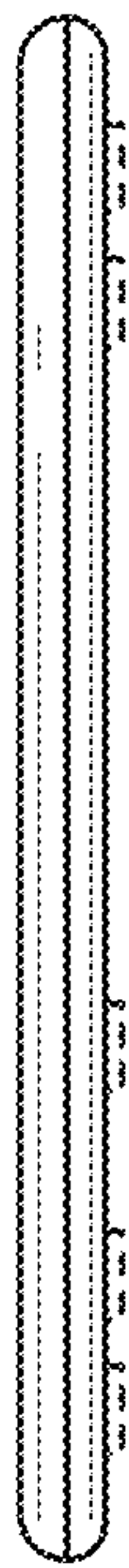


FIG. 5

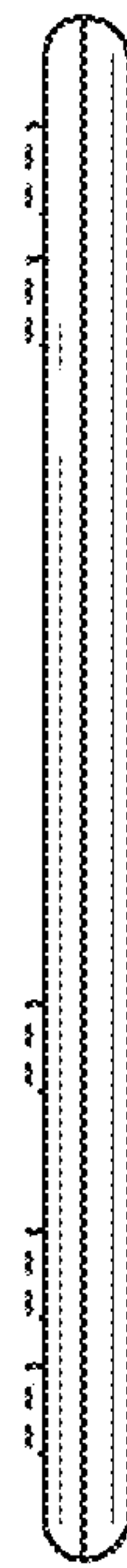


FIG. 6



FIG. 7



FIG. 8