



US00D950366S

(12) **United States Design Patent**
Mueller

(10) **Patent No.:** **US D950,366 S**

(45) **Date of Patent:** **** May 3, 2022**

- (54) **HOOK**
- (71) Applicant: **Kenneth Mueller**, Lake Jackson, TX
(US)
- (72) Inventor: **Kenneth Mueller**, Lake Jackson, TX
(US)
- (**) Term: **15 Years**
- (21) Appl. No.: **29/699,982**
- (22) Filed: **Jul. 30, 2019**
- (51) **LOC (13) Cl.** **08-05**
- (52) **U.S. Cl.**
USPC **D8/371**
- (58) **Field of Classification Search**
USPC D8/370, 367; D24/176; D32/54;
D11/202, 206-207, 212, 231; D21/400;
D25/129
CPC A45F 2005/008; A45F 5/00; A45F 5/102;
A47B 63/00; B42F 15/0035; B42F
15/0064
See application file for complete search history.

- D462,844 S * 9/2002 Chou D6/323
- D464,812 S * 10/2002 Yen D6/323
- D551,010 S * 9/2007 Woodhouse D6/580
- D563,208 S * 3/2008 Baun D8/370
- D608,949 S * 1/2010 Rockaitis D29/101.1
- D611,803 S * 3/2010 Lien D8/370
- 7,735,189 B2 * 6/2010 Richardson A47H 13/04
16/87.2
- D625,167 S * 10/2010 Wu D8/347
- D630,498 S * 1/2011 Kim D8/367
- D766,710 S * 9/2016 Cox D8/387
- D773,836 S * 12/2016 Eads D6/323
- D805,372 S * 12/2017 Shoenhair D8/367
- D811,117 S * 2/2018 Garland D6/523
- D814,904 S * 4/2018 Renderer D8/349
- D827,422 S * 9/2018 Kundig D8/382
- D849,491 S * 5/2019 Kahrs D8/14

(Continued)

Primary Examiner — Sandra Snapp
Assistant Examiner — Elizabeth S Ko
 (74) *Attorney, Agent, or Firm* — Rao DeBoer Osterrieder,
 PLLC; Dileep P. Rao

(57) **CLAIM**

The ornamental design for a hook, as shown and described.

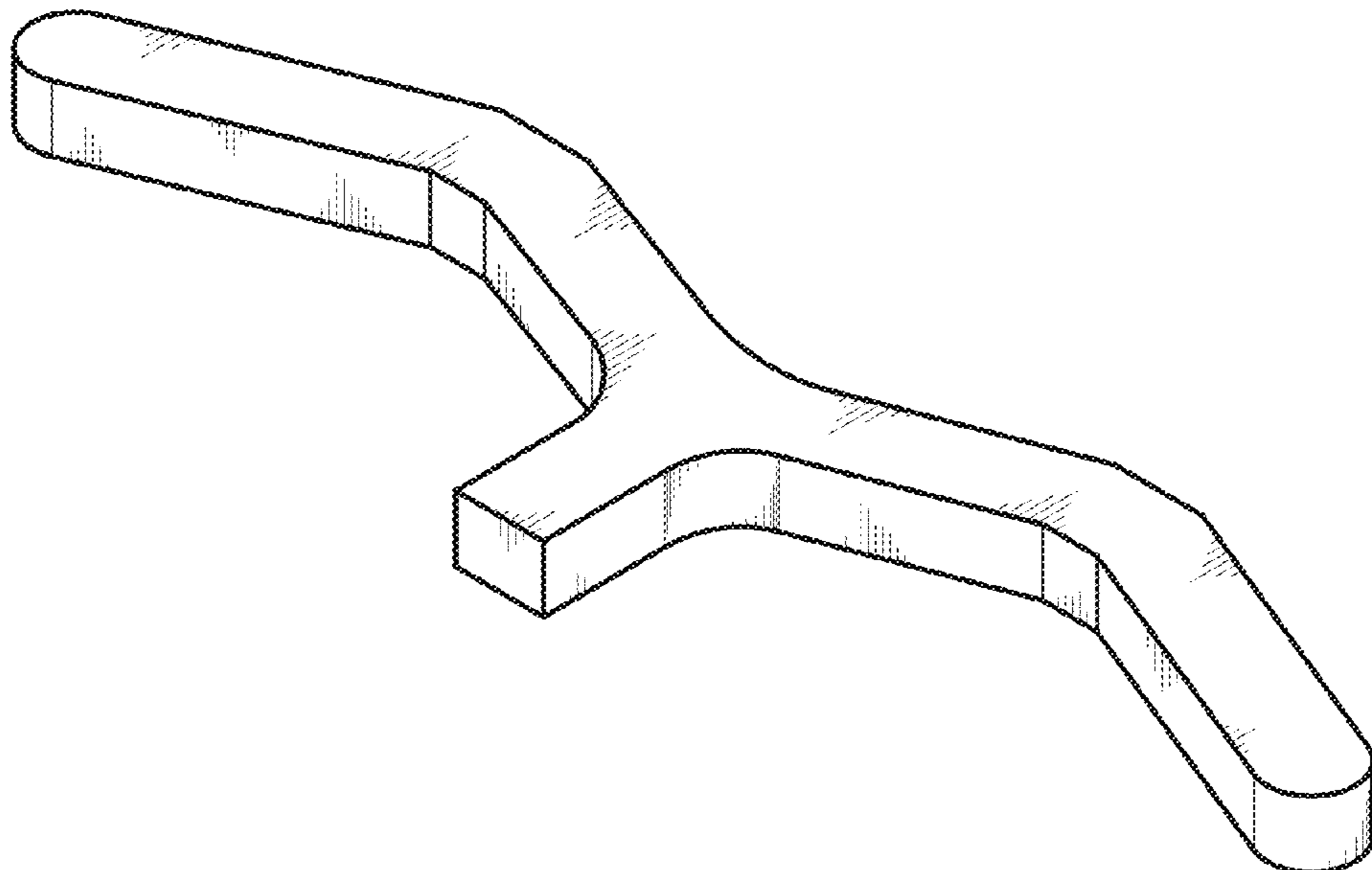
DESCRIPTION

FIG. 1 is a perspective view of the design for a hook.
 FIG. 2 is a perspective view of the hook.
 FIG. 3 is a top view of the hook.
 FIG. 4 is a front view of the hook.
 FIG. 5 is a bottom view of the hook.
 FIG. 6 is a side view of the hook.
 FIG. 7 is a perspective view of the hook as attached to a square extender; and,
 FIG. 8 is a perspective view of the hook as attached to a cylindrical extender.
 The broken lines in the drawings depict the environment of the design and form no part of the claimed design.

1 Claim, 4 Drawing Sheets

(56) **References Cited**
 U.S. PATENT DOCUMENTS

- D30,099 S * 1/1899 Rush D8/380
- D246,827 S * 1/1978 Crawford D8/370
- D280,596 S * 9/1985 Keeler D8/370
- D283,786 S * 5/1986 Chap D6/572
- D304,655 S * 11/1989 Pool D6/323
- 4,979,712 A * 12/1990 Rios A47K 3/281
248/215
- D319,002 S * 8/1991 Mirza D8/373
- D393,796 S * 4/1998 Chen D8/373
- D402,189 S * 12/1998 Izumi D8/382
- D407,966 S * 4/1999 Pestone D8/372
- D413,253 S * 8/1999 Kalat D8/382
- D417,834 S * 12/1999 Rompel D8/348
- D442,056 S * 5/2001 Duggan D8/323



(56)

References Cited

U.S. PATENT DOCUMENTS

D850,897 S *	6/2019	Vandenberg	D8/382
D895,416 S *	9/2020	Koiwa	D8/499
10,766,319 B2 *	9/2020	Hack	B60D 1/187
D913,777 S *	3/2021	Liu	D8/370
D920,084 S *	5/2021	Craig	D8/372
2006/0001284 A1 *	1/2006	Stephenson	B60R 13/005 296/1.08
2007/0114349 A1 *	5/2007	Lawson	A47G 25/0607 248/304
2013/0052605 A1 *	2/2013	Ahn	A61C 7/00 433/18

* cited by examiner

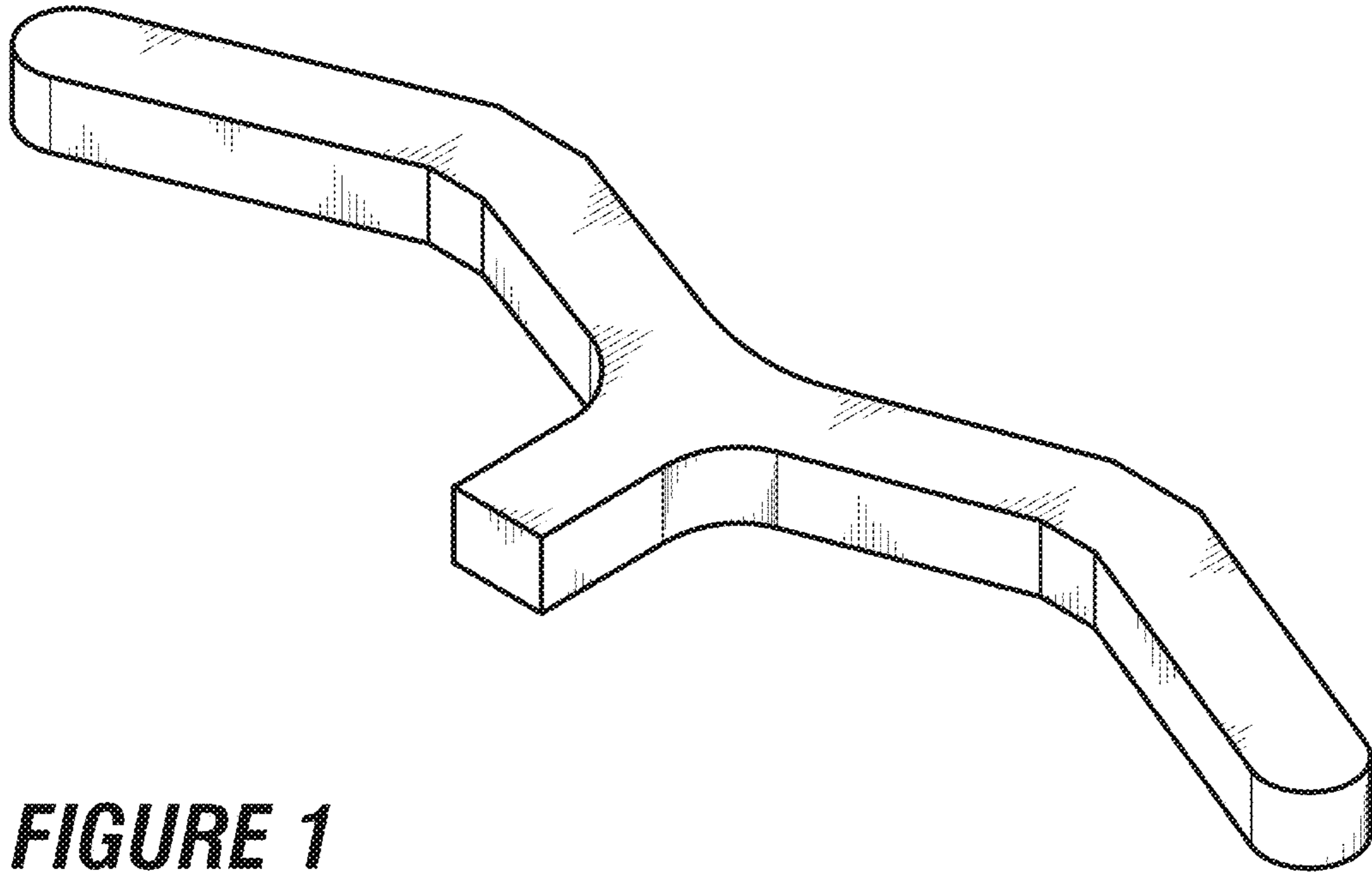


FIGURE 1

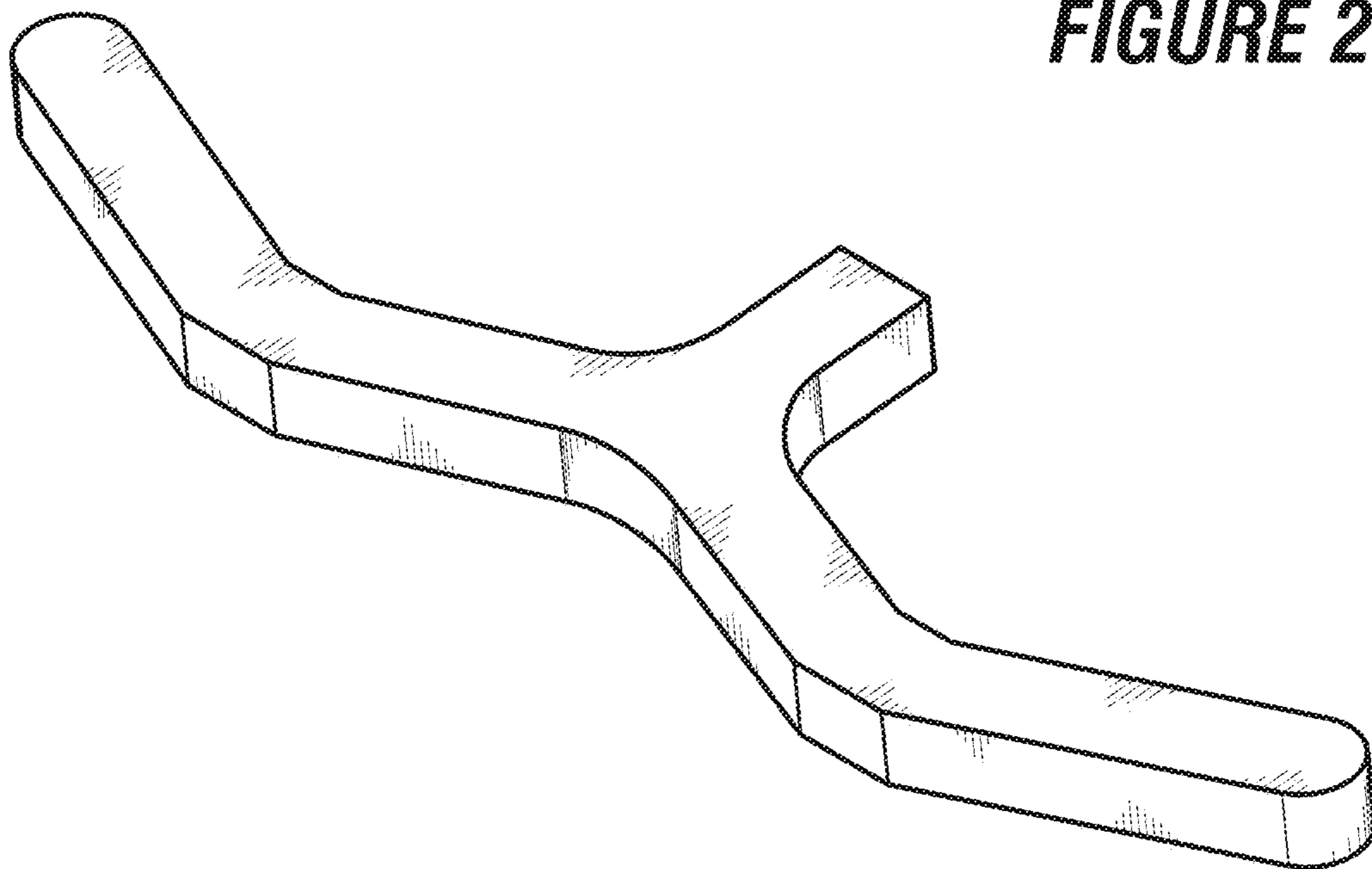


FIGURE 2

FIGURE 3

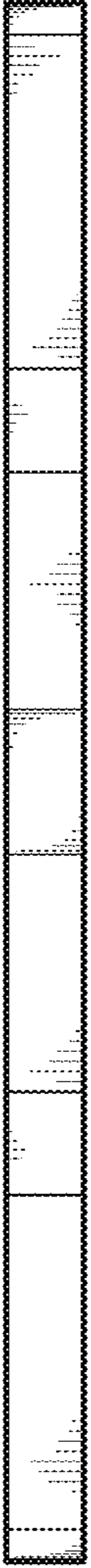


FIGURE 6

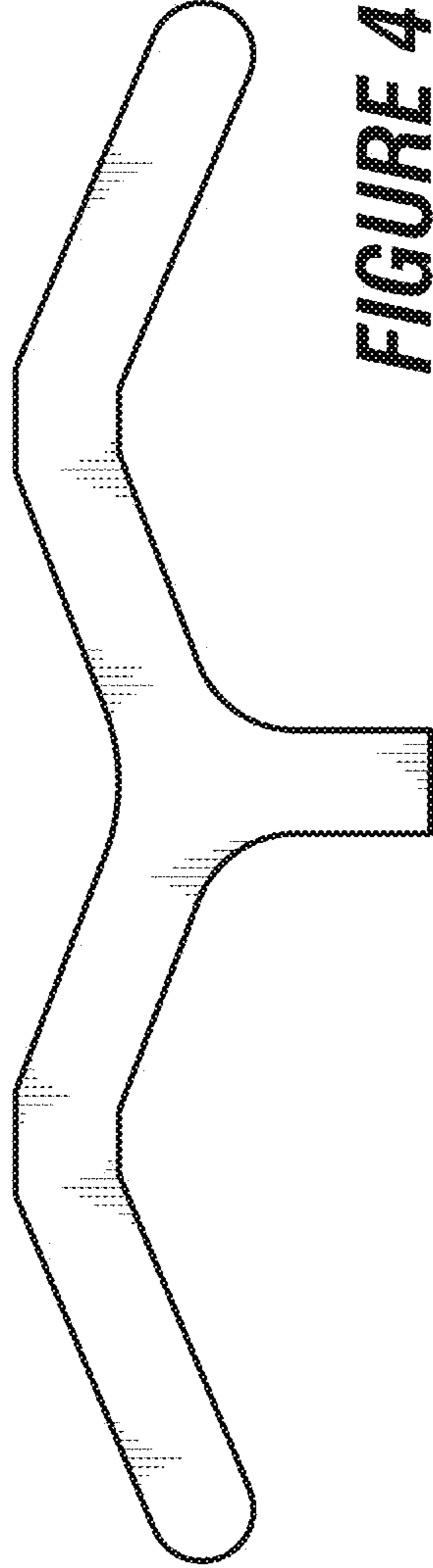


FIGURE 4

FIGURE 5



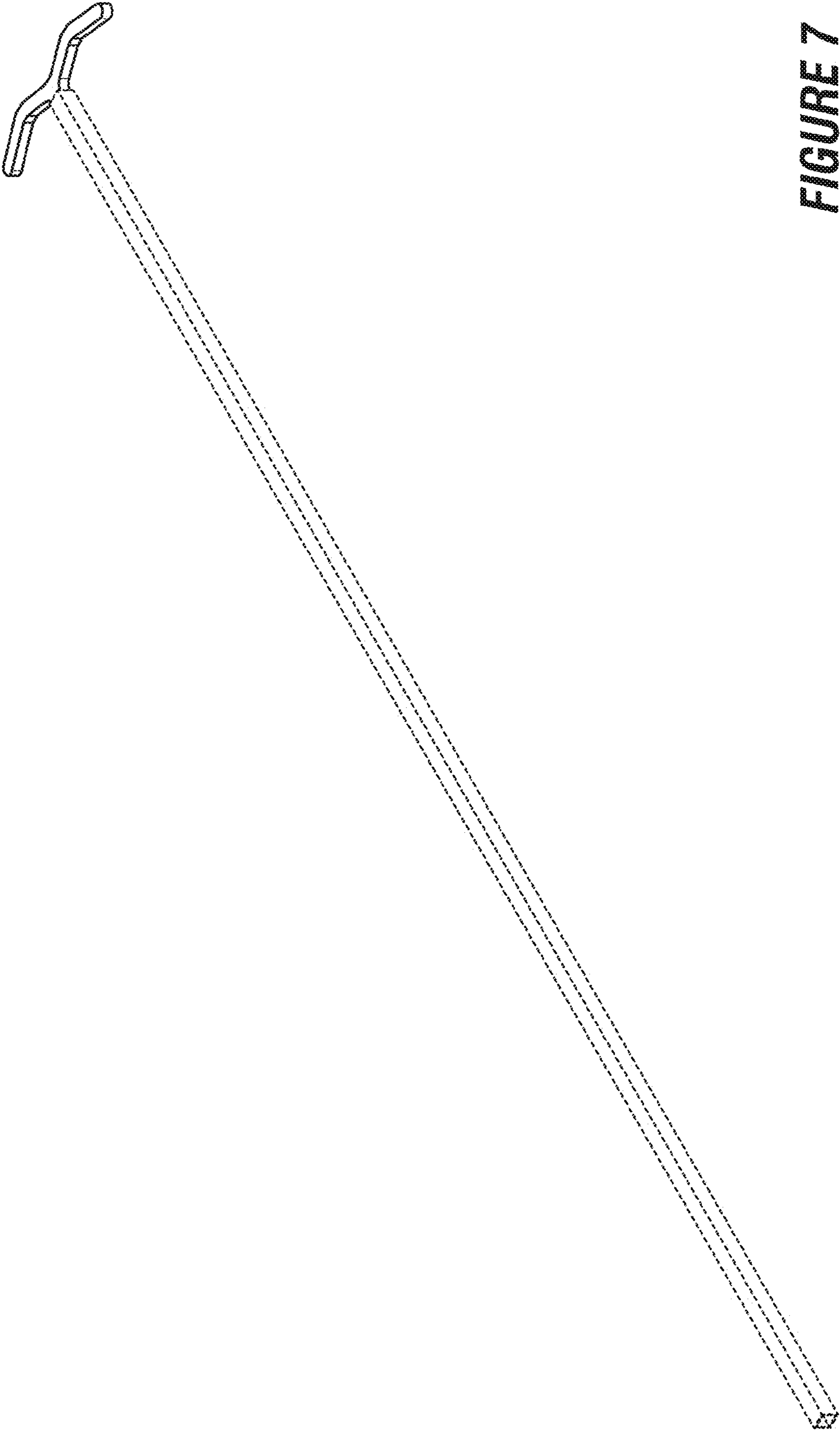


FIGURE 7

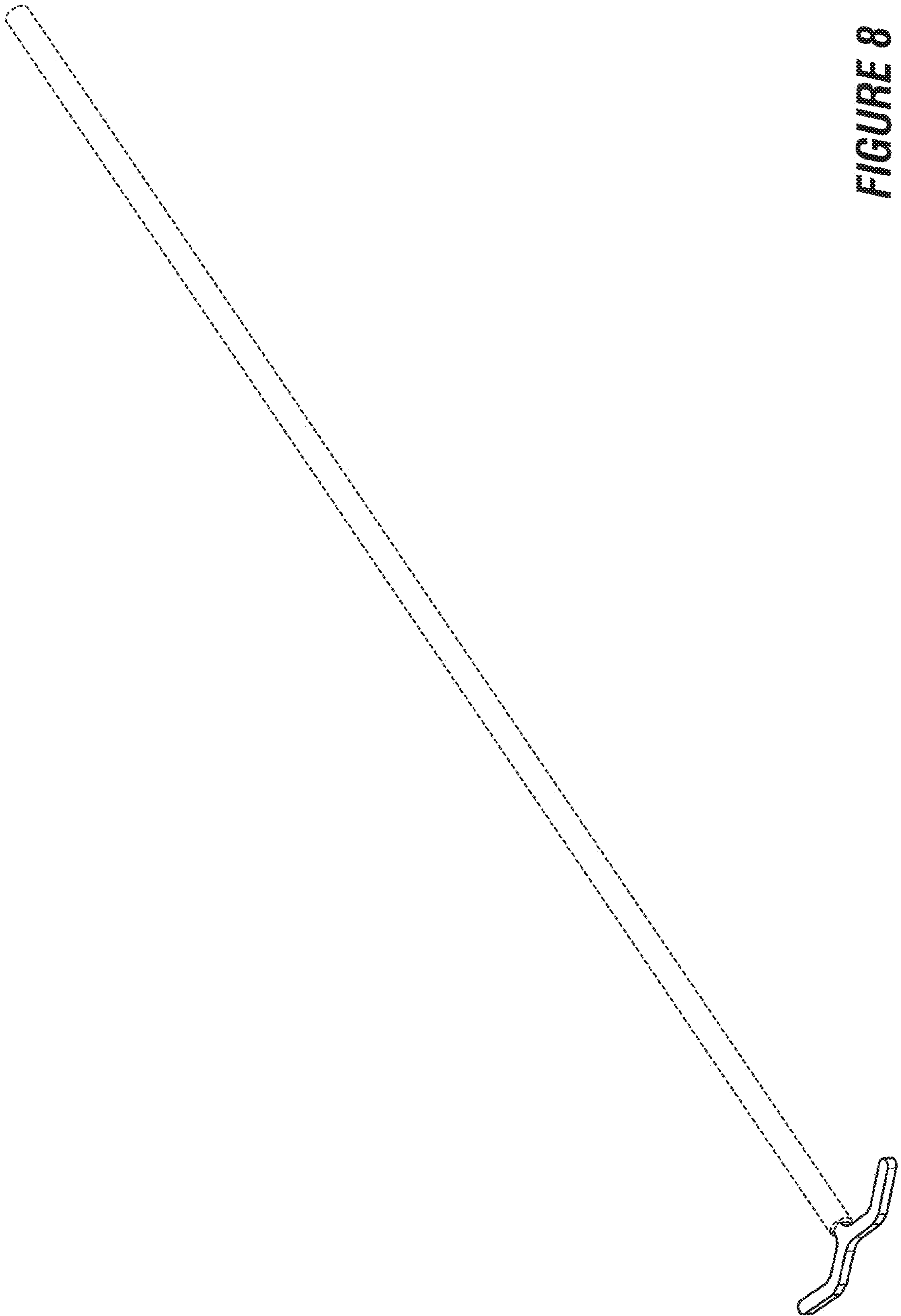


FIGURE 8