



US00D950365S

(12) **United States Design Patent** (10) **Patent No.:** **US D950,365 S**
Smith (45) **Date of Patent:** **** May 3, 2022**

(54) **MOUNTING BRACKET FOR DEAD-END UTILITY LINES**

(71) Applicant: **Dovetel Communications, LLC**,
Bremen, GA (US)

(72) Inventor: **Allen Smith**, Bremen, GA (US)

(73) Assignee: **Dovetel Communications, LLC**,
Bremen, GA (US)

(**) Term: **15 Years**

(21) Appl. No.: **29/694,021**

(22) Filed: **Jun. 6, 2019**

(51) **LOC (13) Cl.** **08-11**

(52) **U.S. Cl.**
USPC **D8/366**

(58) **Field of Classification Search**
USPC D8/354-356, 366, 390, 358, 363-364,
D8/373, 349, 380, 499; D12/159-160;
D25/43

CPC . A47B 95/043; E04C 2003/0421; E04C 3/02;
F16B 12/46; F16B 2/12; F16M 11/00;
F16M 13/02; H02S 20/00; H02S 20/23;
E06B 11/02; E06B 3/984; E06B 11/04;
E06B 3/9641; E06B 3/9687; E06B
11/022; E06B 2003/7063; E06B
2009/002; E06B 3/9649

See application file for complete search history.

(56) **References Cited**

U.S. PATENT DOCUMENTS

1,431,662 A * 10/1922 Horning B60T 17/046
248/300
2,321,671 A * 6/1943 La Grotta E04B 2/7854
52/242
2,775,422 A * 12/1956 Von Herbulis H02G 7/053
248/63
2,979,299 A * 4/1961 Huggins H02G 7/08
248/67.5

(Continued)

OTHER PUBLICATIONS

Preformed Line Products, Application Procedure & Safety Considerations—Preformed Line Products—FIBERLIGN® Aluminum Support, www.preformed.com, Feb. 2002, pp. 1-4, Preformed Line Products, Cleveland, Ohio.

(Continued)

Primary Examiner — Karen S Acker
Assistant Examiner — Elizabeth Sun Ko

(74) *Attorney, Agent, or Firm* — Thomas B. McGurk

(57) **CLAIM**

The ornamental design for a mounting bracket for dead-end utility lines, as shown and described.

DESCRIPTION

FIG. 1 is a perspective view of a mounting bracket for dead-end utility lines illustrating the claim design.

FIG. 2 is a front view of the mounting bracket shown in FIG. 1.

FIG. 3 is a right side view of the mounting bracket shown in FIG. 1.

FIG. 4 is a left side view of the mounting bracket shown in FIG. 1.

FIG. 5 is a top view of the mounting bracket shown in FIG. 1.

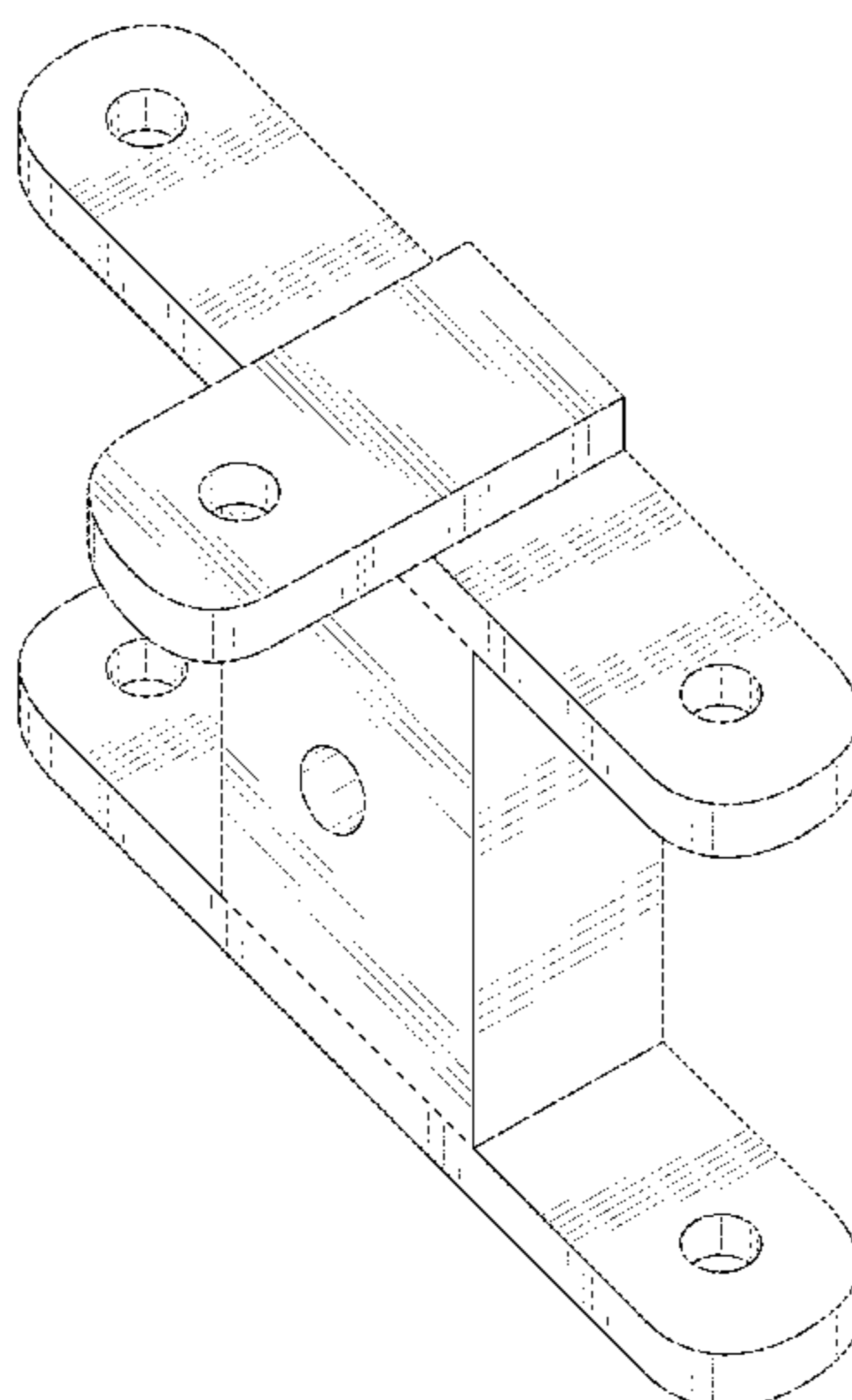
FIG. 6 is a bottom view of the mounting bracket shown in FIG. 1; and,

FIG. 7 is a rear view of the mounting bracket shown in FIG. 1.

The broken lines FIGS. 1-2 depict the features of the mounting bracket for dead-end utility lines that form no part of the claimed design.

The broken lines in FIG. 7 and the area within them depict environmental subject matter that forms no part of the claimed design.

1 Claim, 7 Drawing Sheets



(56)

References Cited

U.S. PATENT DOCUMENTS

3,468,571 A * 9/1969 Farmer E04H 12/24
403/381
3,474,995 A * 10/1969 Amidon H02G 7/20
248/218.4
3,794,751 A * 2/1974 Farmer H02G 7/205
174/40 R
4,529,838 A * 7/1985 Hall H02G 7/20
174/158 R
4,596,105 A * 6/1986 Farmer E04H 12/24
52/697
4,948,924 A * 8/1990 Farmer H02G 7/20
174/158 R
5,213,298 A * 5/1993 Johnson H01F 27/02
174/158 R
5,445,348 A * 8/1995 Caldwell F16L 3/243
248/74.1
D378,986 S * 4/1997 Darula D8/354
D420,566 S * 2/2000 Ely D8/354
6,378,821 B1 * 4/2002 McKelvy H02B 5/02
211/107
D469,336 S * 1/2003 Votruba D8/343
D512,903 S * 12/2005 Gallien D8/349
D614,477 S * 4/2010 Edwards E04H 17/1447
D8/354
7,788,875 B2 * 9/2010 Wendt E04B 9/30
52/712
8,966,857 B2 3/2015 Pope et al.
D748,966 S * 2/2016 Morinaga D8/323
D800,536 S * 10/2017 Kelley D8/354
D843,816 S * 3/2019 Kao D8/366

D858,262 S * 9/2019 Wilson D8/373
D902,701 S * 11/2020 Smith D8/366
D911,151 S * 2/2021 Smith D8/354
D924,041 S * 7/2021 Brown D8/349
2008/0111035 A1 5/2008 Thomas et al.
2014/0008380 A1* 1/2014 Zou F16M 13/02
220/752
2020/0003274 A1* 1/2020 Malin F16G 11/14

OTHER PUBLICATIONS

Preformed Line Products, FIBERLIGN® Aluminum Suspension for ADSS, Dec. 2006, www.preformed.com, pp. 1-8, Preformed Line Products, Cleveland Ohio.
Preformed Line Products, FIBERLIGN® Dielectric Dead-end for ADSS, www.preformed.com, pp. 6-5-6-8, Preformed Line Products, Cleveland Ohio.
ATKC® E-Commerce Warehouse Online Store, B-Tani Heavy Duty 2" Galvanized Trunking Bracket 2.0 MM, www.ewarehouse.atkc.com.my/BTani-Heavy-Duty-2-Galvanized-Trunking-Bracket-2-0-MM-T-1-1-2-W1-x-3-1-2-H-x-2-W2, pp. 1-7, ATKC® E-Commerce Warehouse Online Store, Malaysia.
MCP Group Ltd, Channel C Bracket HDG 4 Hole, www.mcpuk.com/mechanical-containment-cl/supports-suspensions-c332/channel-brackets-c335/channel-c-bracket-hdg-4-hole-pp2037, pp. 1-2, MCP Group Ltd, United Kingdom.
Traffic Safety & Equipment Co., Perpendicular Bracket VS-C Clamp, https://trafficsafetydirect.com/Perpendicular-bracket-VS-C-clamp, pp. 1-2, Traffic Safety & Equipment Co., Mahwah, New Jersey.

* cited by examiner

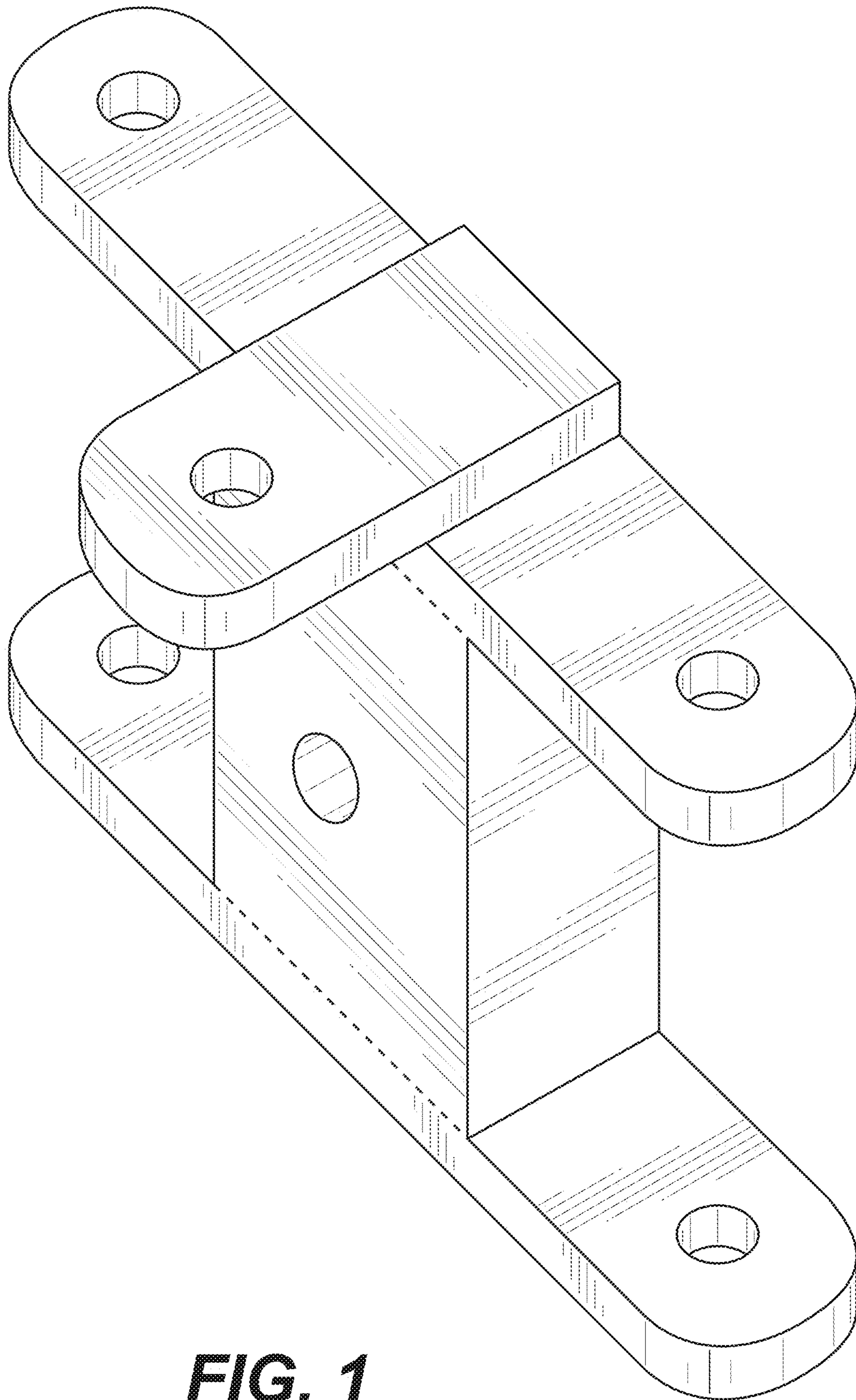


FIG. 1

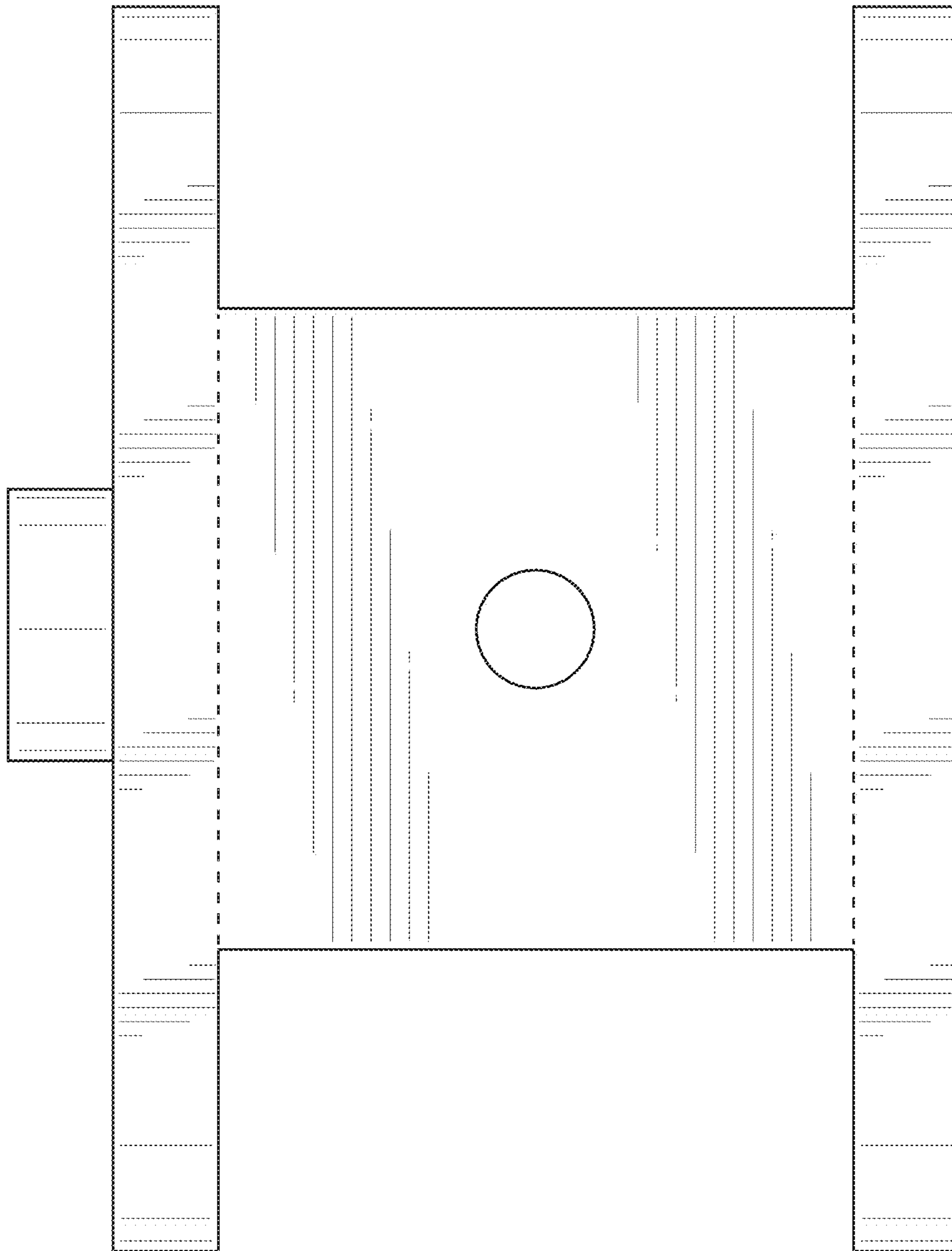


FIG. 2

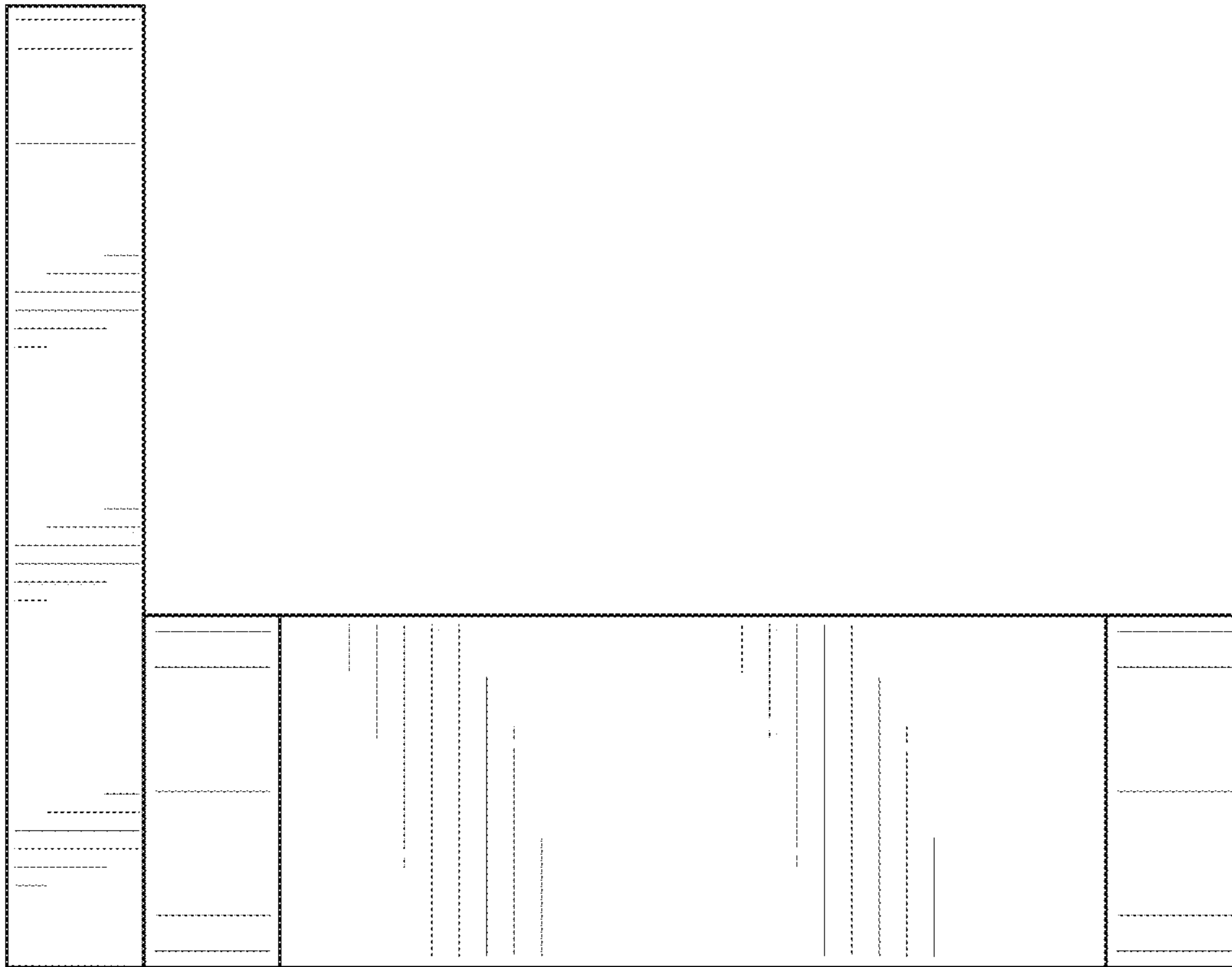


FIG. 3

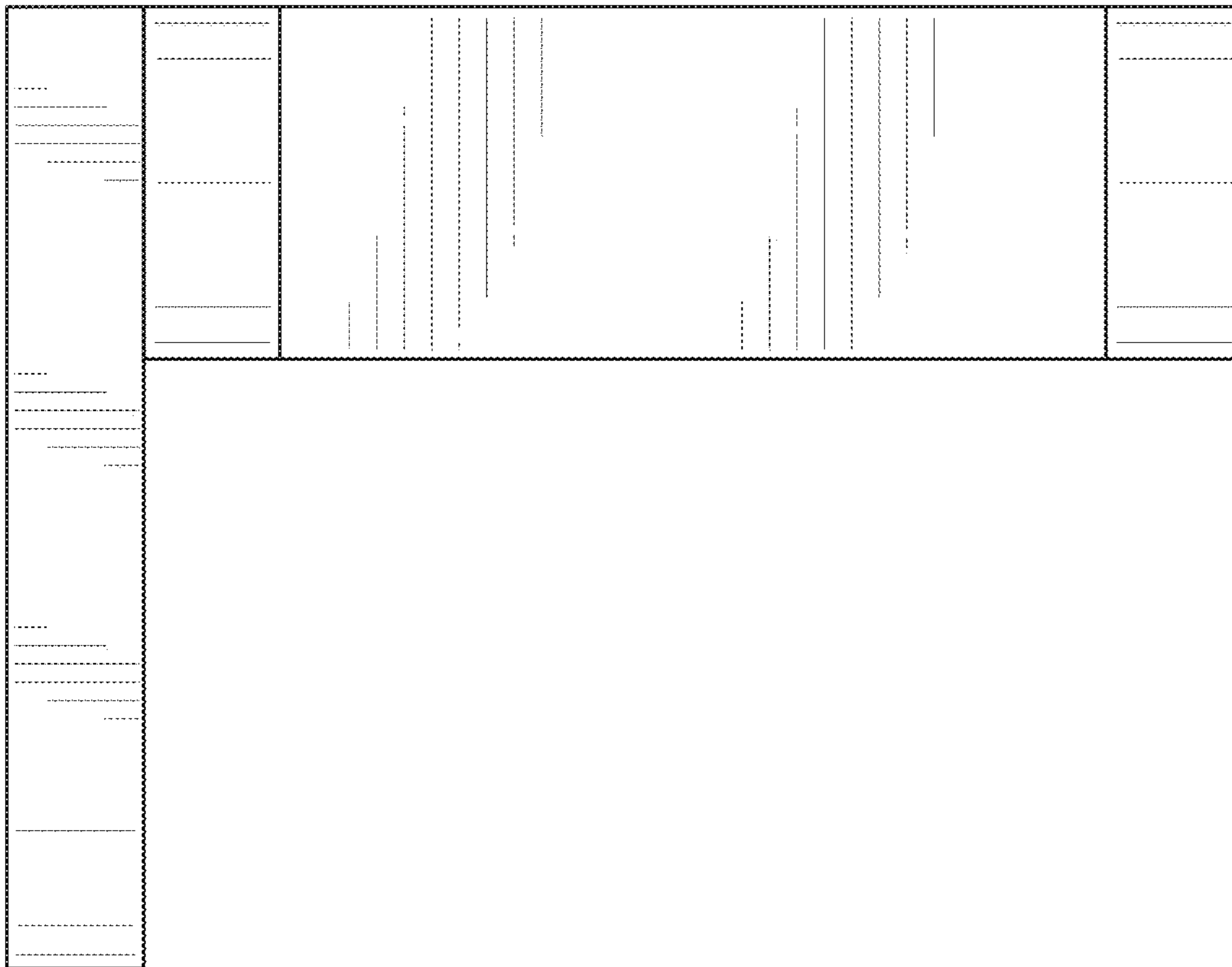


FIG. 4

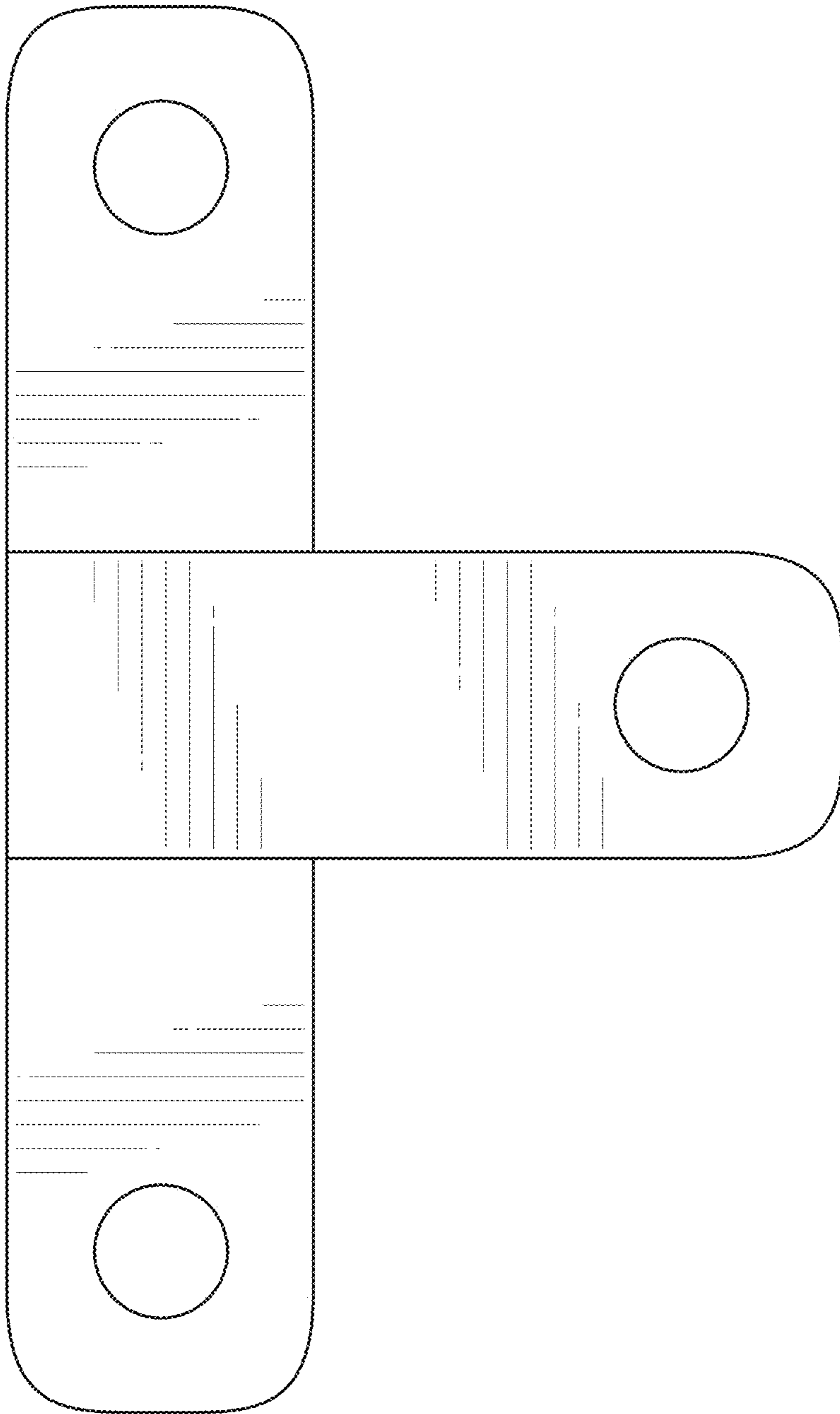


FIG. 5

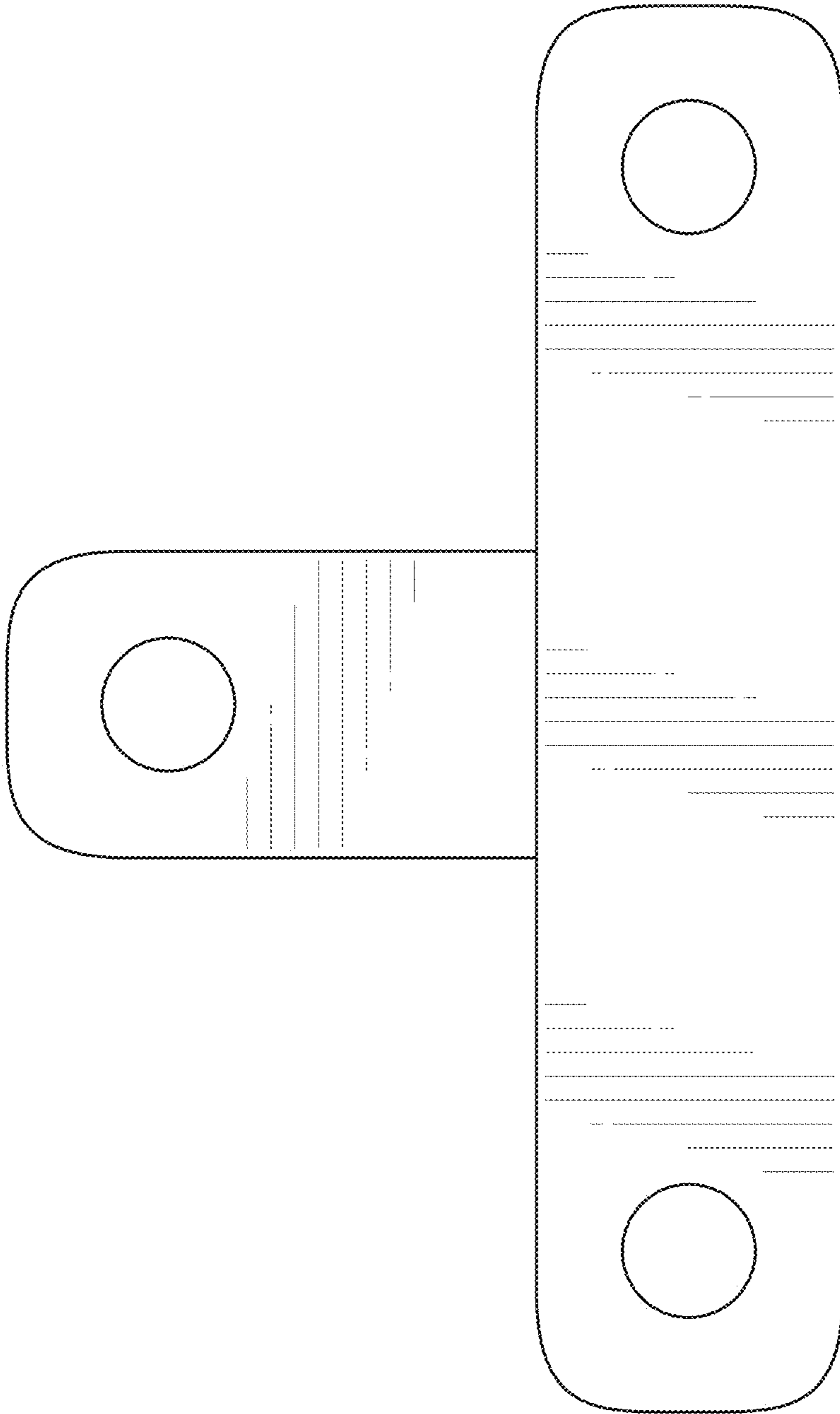


FIG. 6

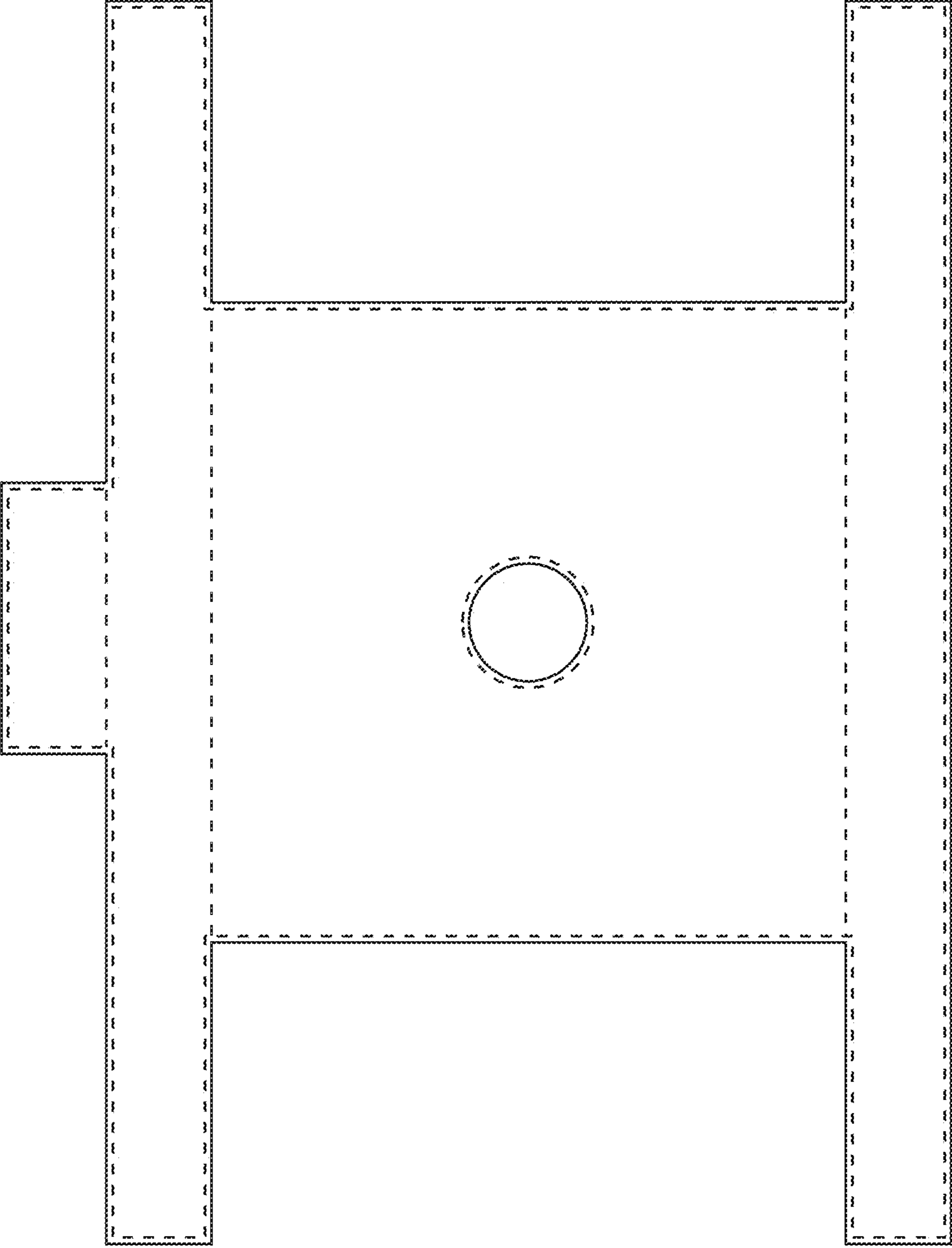


FIG. 7