



US00D950364S

(12) **United States Design Patent**  
**Smith**

(10) **Patent No.:** **US D950,364 S**  
(45) **Date of Patent:** **\*\* May 3, 2022**

(54) **GAS SPRING MOUNTING BRACKET**

**DESCRIPTION**

- (71) Applicant: **Firestone Industrial Products Company, LLC**, Nashville, TN (US)
- (72) Inventor: **Scott A. Smith**, Brownsburg, IN (US)
- (73) Assignee: **Firestone Industrial Products Company, LLC**, Nashville, TN (US)
- (\*\*) Term: **15 Years**
- (21) Appl. No.: **29/661,328**
- (22) Filed: **Aug. 27, 2018**
- (51) **LOC (13) Cl.** ..... **08-05**
- (52) **U.S. Cl.**  
USPC ..... **D8/366**
- (58) **Field of Classification Search**  
USPC .... D8/16, 19, 349, 354, 394, 371, 366, 363;  
D12/162, 159, 223; D23/322, 341, 386,  
D23/385

(Continued)

(56) **References Cited**

U.S. PATENT DOCUMENTS

- 1,431,662 A \* 10/1922 Horning ..... B60T 17/046  
248/300
- D317,250 S \* 6/1991 Shook ..... D8/380

(Continued)

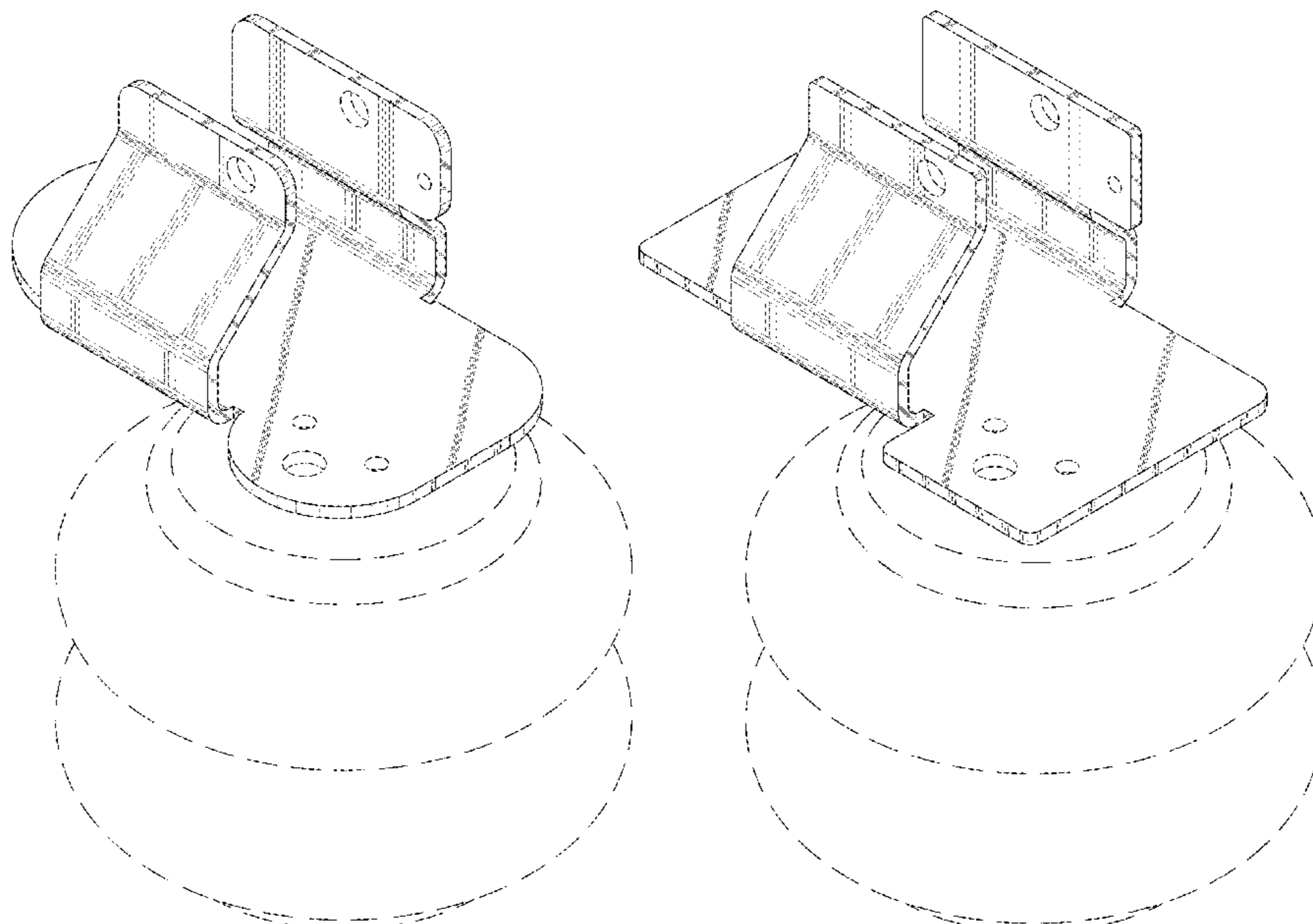
*Primary Examiner* — Eliza Z Bennett-Hattan  
(74) *Attorney, Agent, or Firm* — Thomas R. Kingsbury;  
Matthew P. Dugan

(57) **CLAIM**

The ornamental design for a gas spring mounting bracket, as shown and described.

FIG. 1 is a top perspective view of a gas spring mounting bracket illustrating a first embodiment of my new design; FIG. 2 is a bottom perspective view thereof; FIG. 3 is a front elevation view thereof; FIG. 4 is a rear elevation view thereof; FIG. 5 is a left side elevation thereof; FIG. 6 is a right side elevation view thereof; FIG. 7 is top plan view thereof; FIG. 8 is a bottom plan view thereof; FIG. 9 is a top perspective view of the gas spring mounting bracket shown together with an associated gas spring; FIG. 10 is a top perspective view of a gas spring mounting bracket illustrating a second embodiment of my new design; FIG. 11 is a bottom perspective view thereof; FIG. 12 is a front elevation view thereof; FIG. 13 is a rear elevation view thereof; FIG. 14 is a left side elevation thereof; FIG. 15 is a right side elevation view thereof; FIG. 16 is top plan view thereof; FIG. 17 is a bottom plan view thereof; FIG. 18 is a top perspective view of the gas spring mounting bracket shown together with an associated gas spring; FIG. 19 is a top perspective view of a gas spring mounting bracket illustrating a third embodiment of my new design; FIG. 20 is a bottom perspective view thereof; FIG. 21 is a front elevation view thereof; FIG. 22 is a rear elevation view thereof; FIG. 23 is a left side elevation thereof; FIG. 24 is a right side elevation view thereof; FIG. 25 is top plan view thereof; FIG. 26 is a bottom plan view thereof; and, FIG. 27 is a top perspective view of the gas spring mounting bracket shown together with an associated gas spring. The broken lines are for illustrative purposes only and form no part of the claimed design.

**1 Claim, 27 Drawing Sheets**



(58) **Field of Classification Search**

CPC ..... B60T 17/00; B60T 17/04; F16M 13/02

See application file for complete search history.

(56) **References Cited**

U.S. PATENT DOCUMENTS

D445,019 S	*	7/2001	Vitetta .....	D8/349
D829,537 S	*	10/2018	Smith .....	D8/366
D902,701 S	*	11/2020	Smith .....	D8/366
D902,702 S	*	11/2020	Smith .....	D8/366
D928,595 S	*	8/2021	Smith .....	D8/366
D928,600 S	*	8/2021	Kovacs .....	D8/380

\* cited by examiner

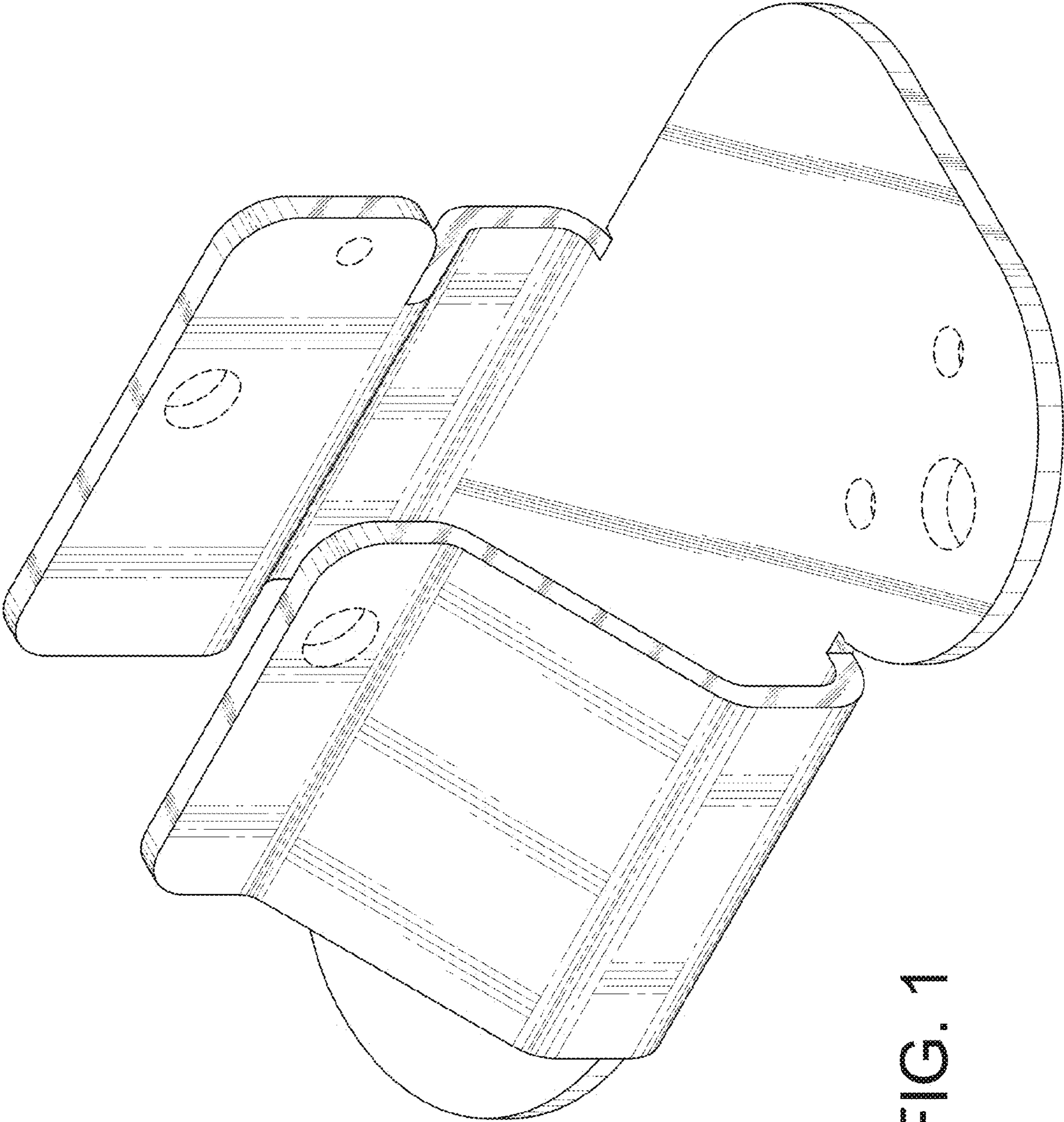


FIG. 1

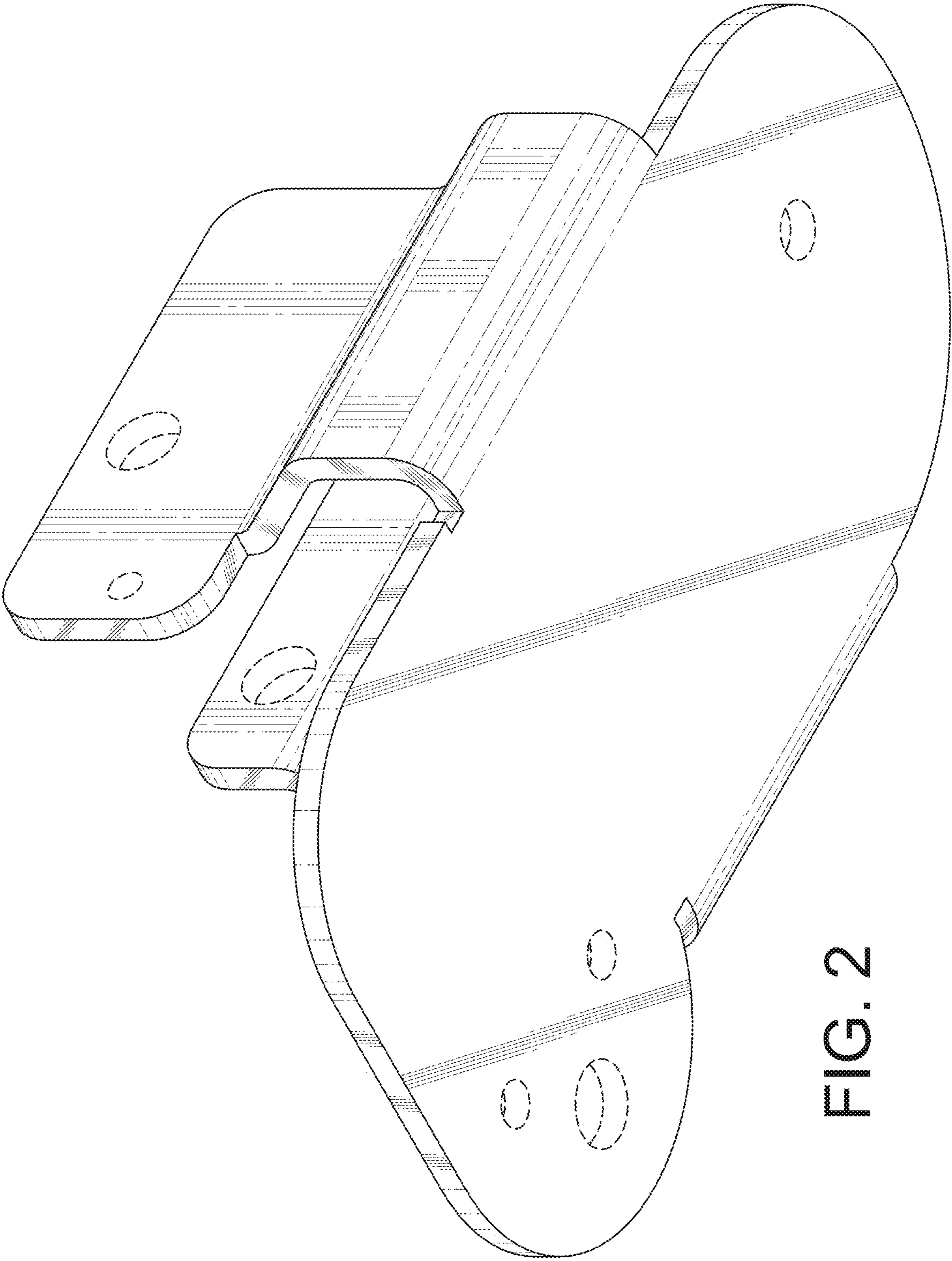


FIG. 2



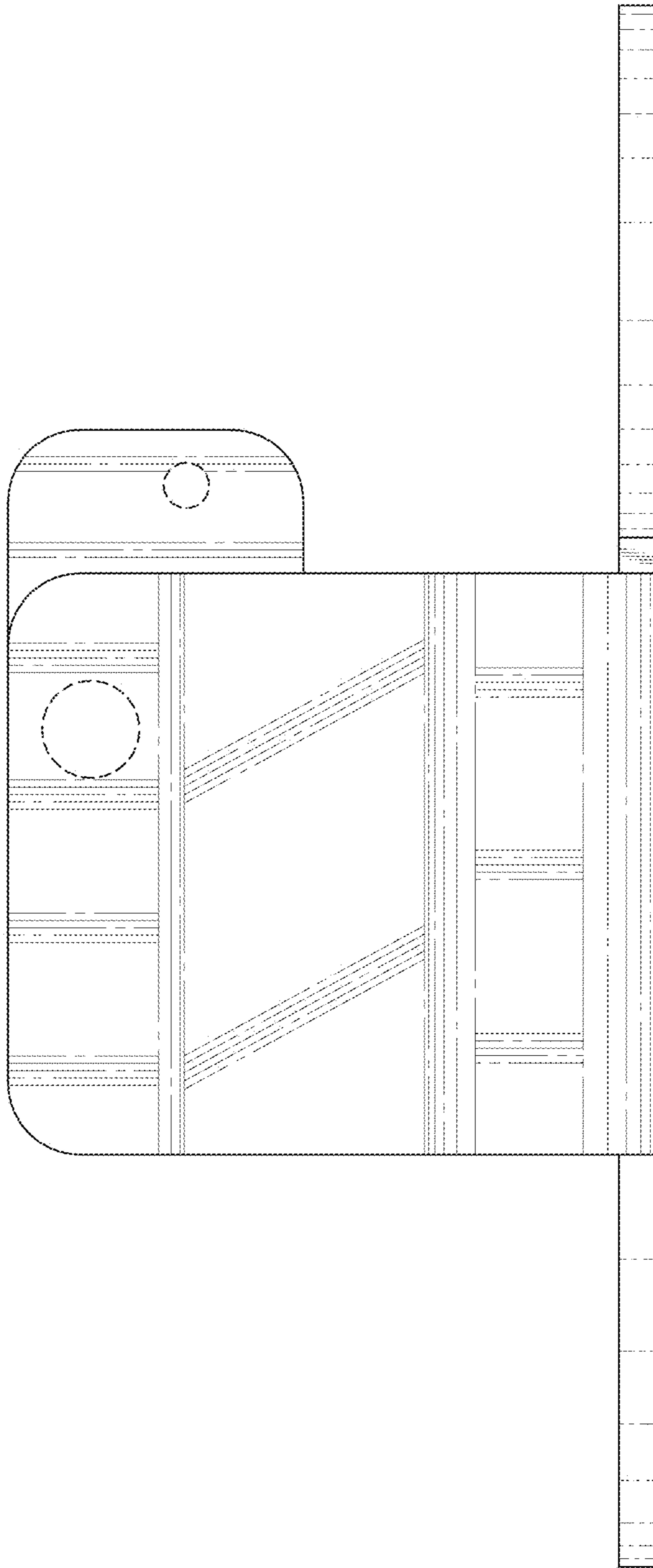


FIG. 3

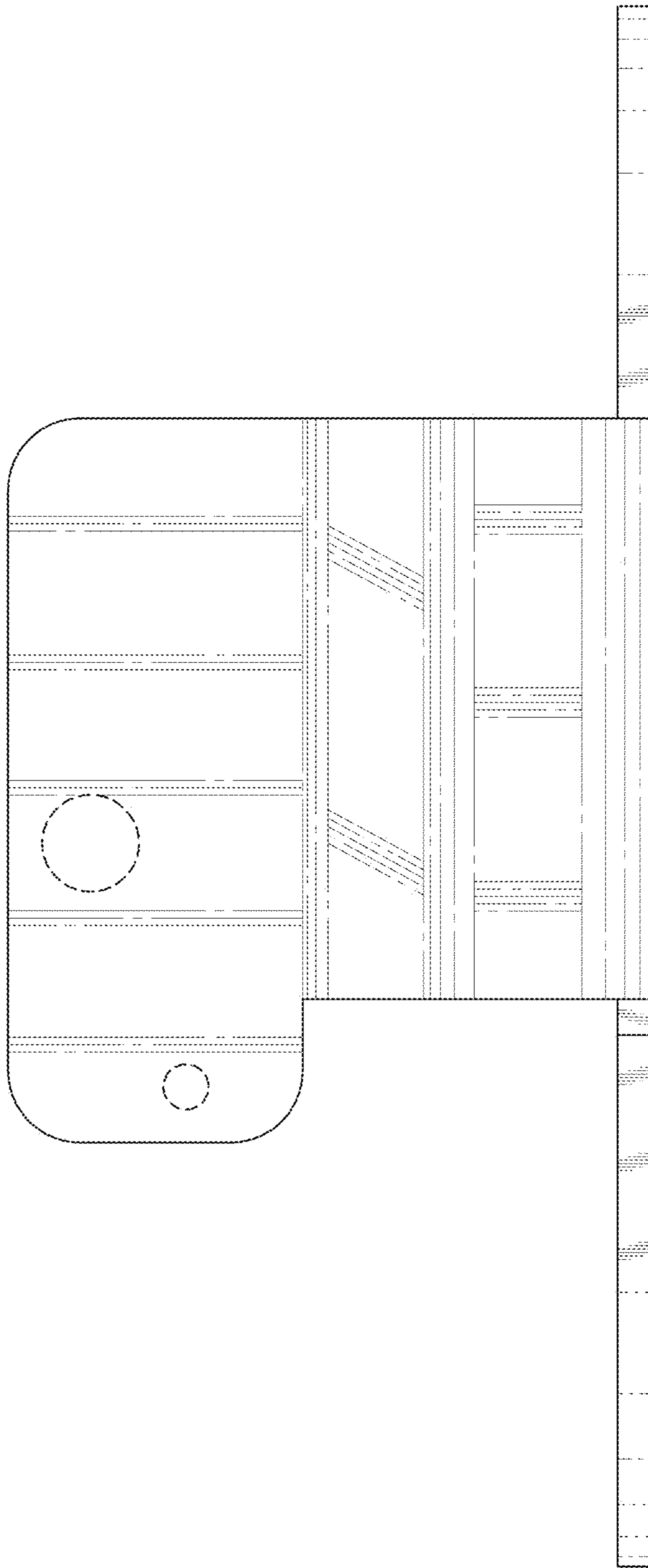


FIG. 4

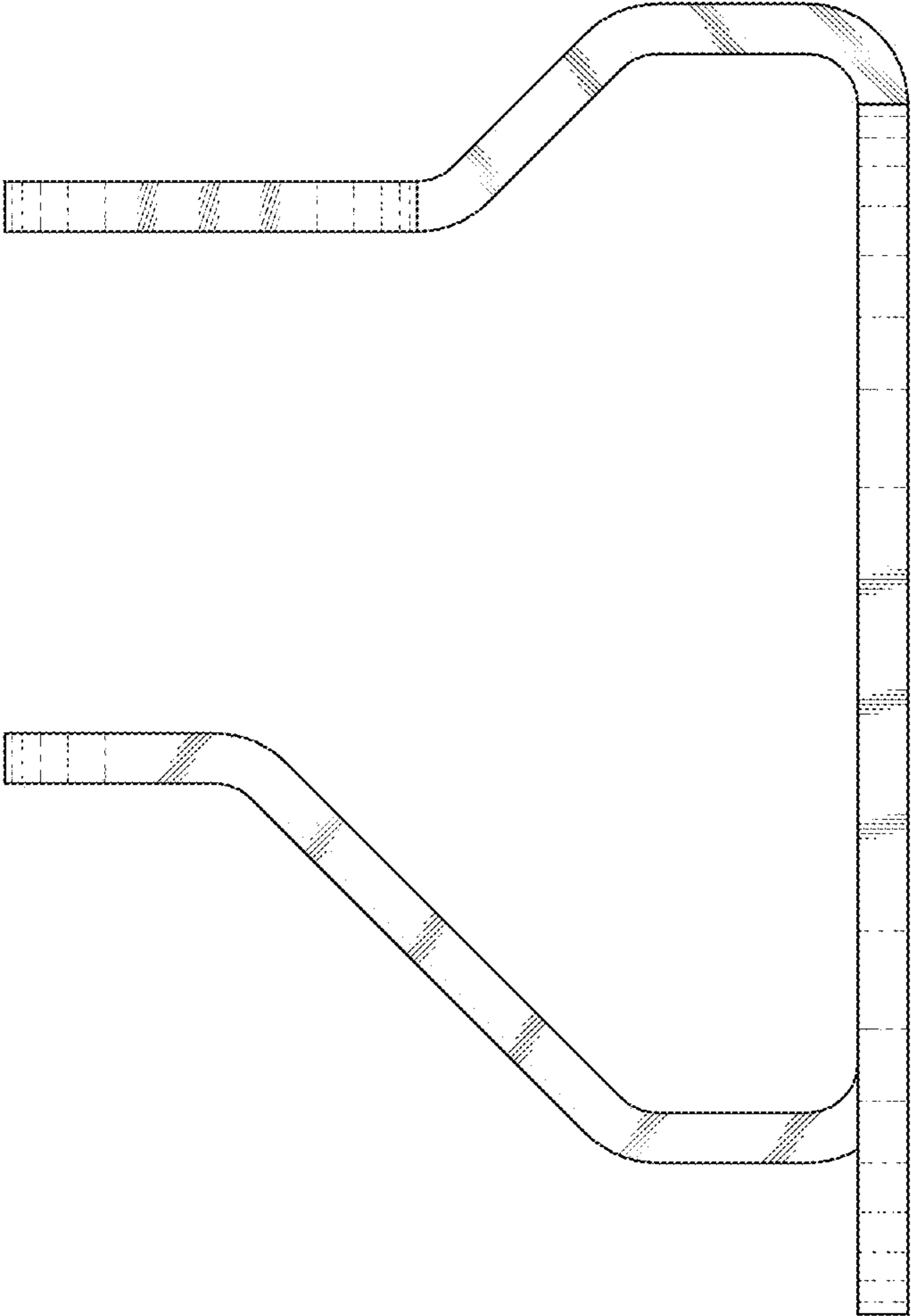


FIG. 5

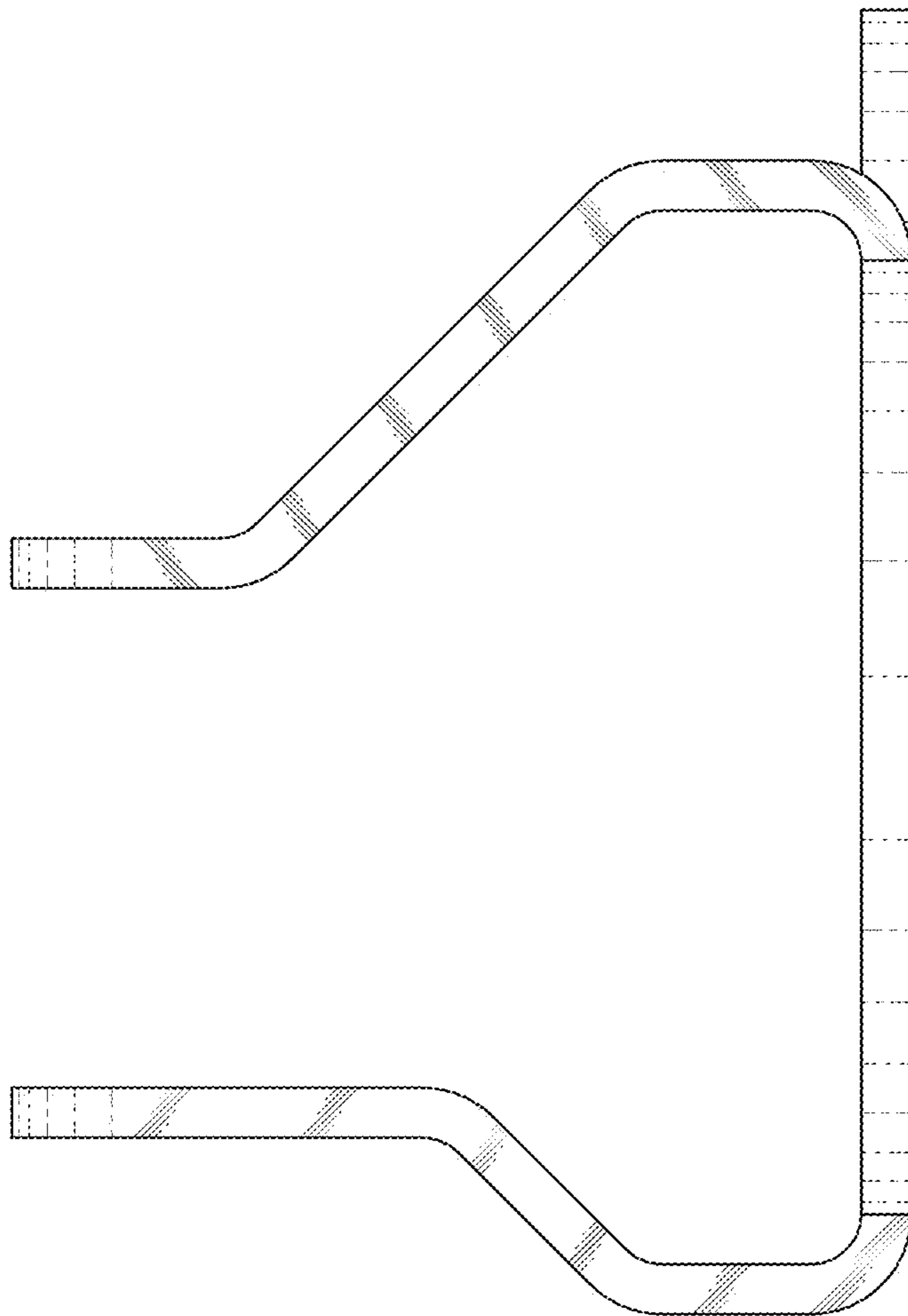


FIG. 6



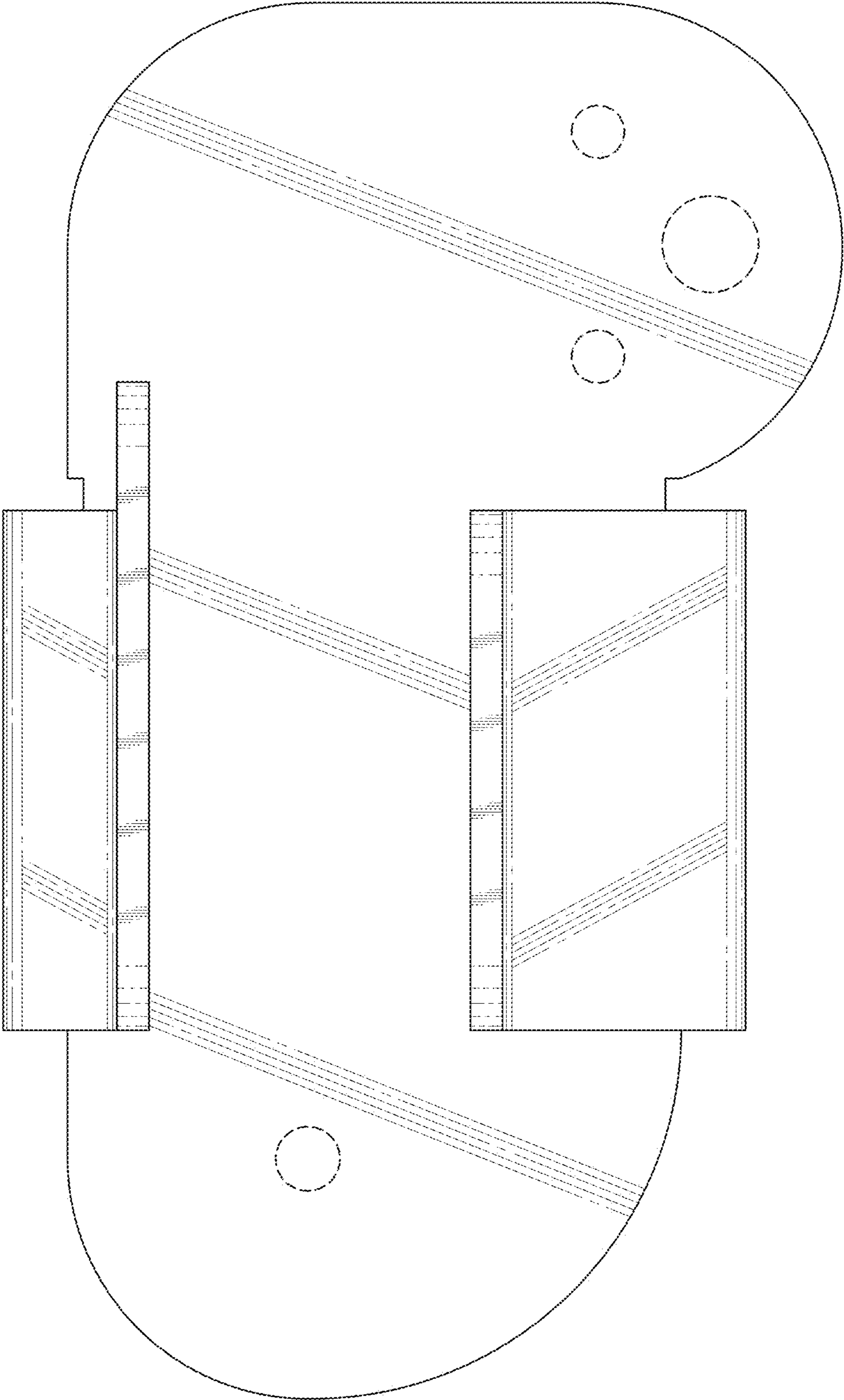


FIG. 7

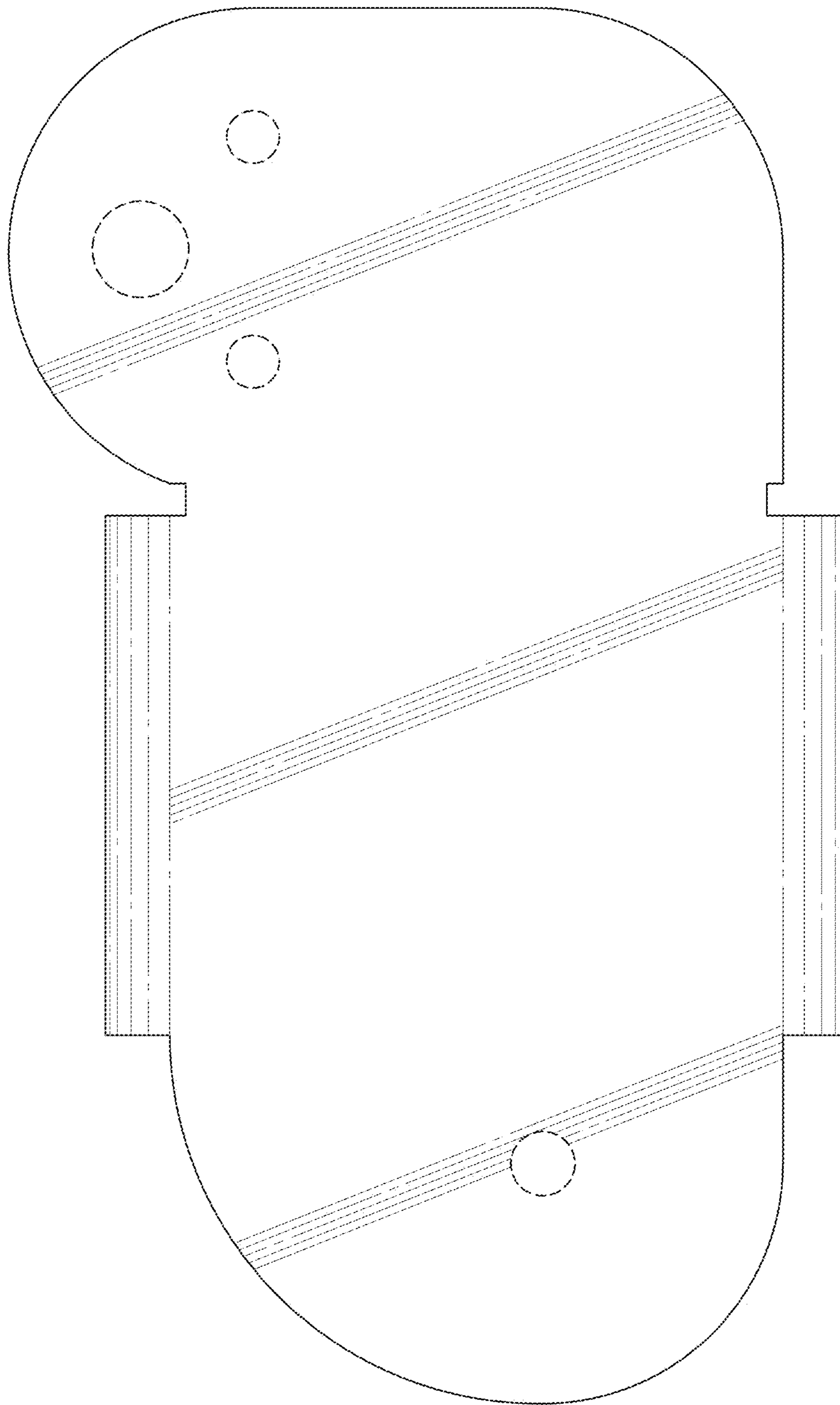


FIG. 8

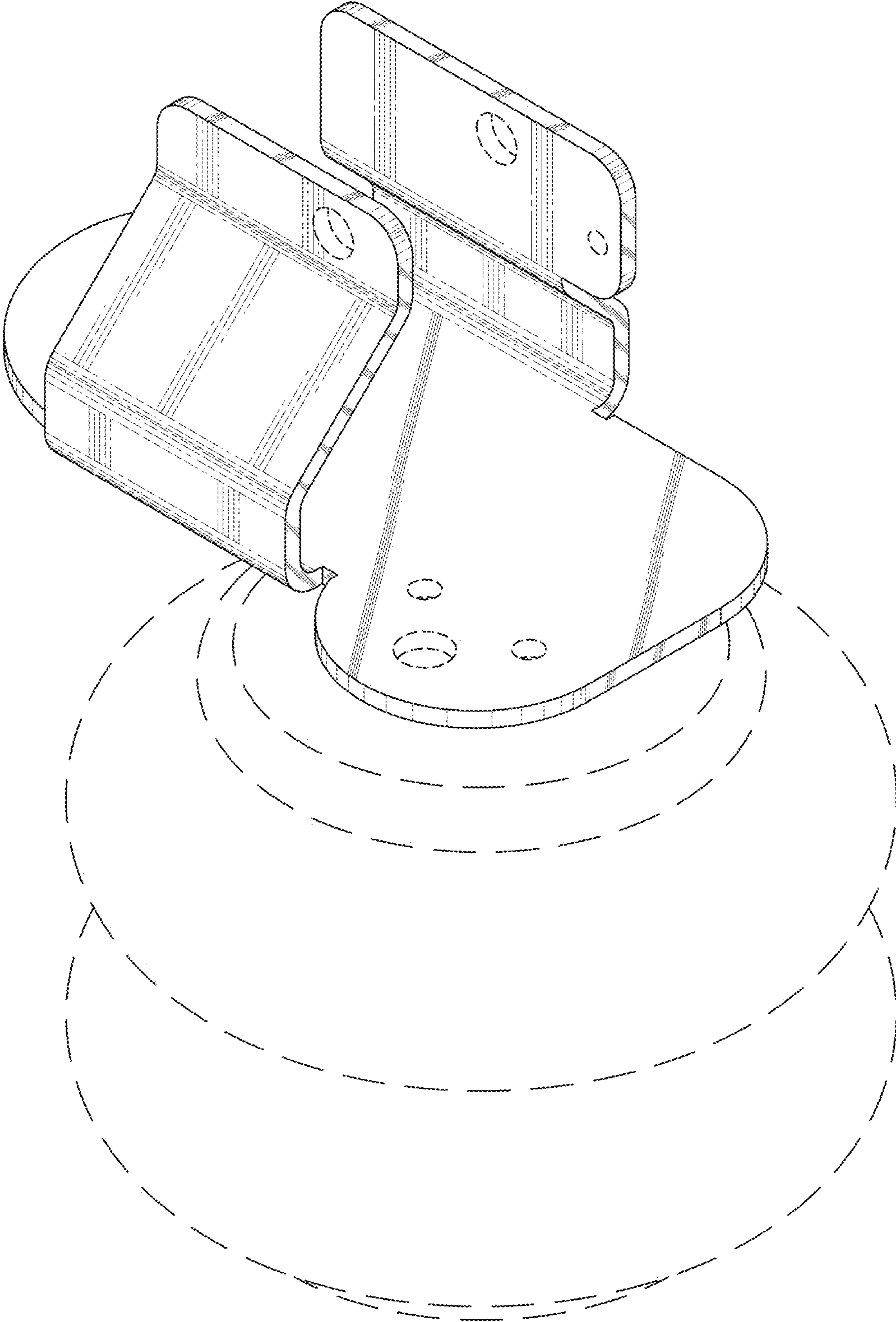


FIG. 9

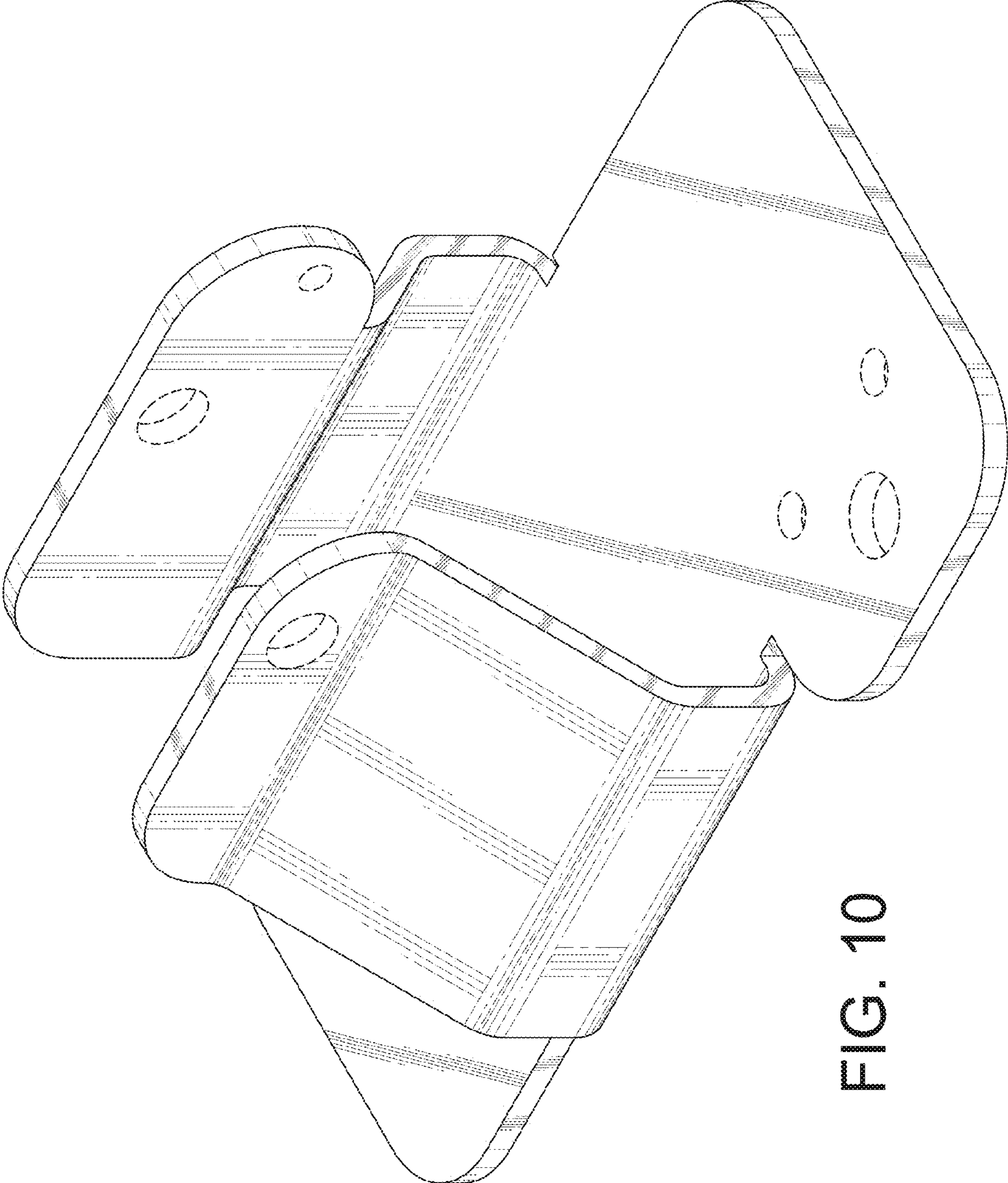


FIG. 10



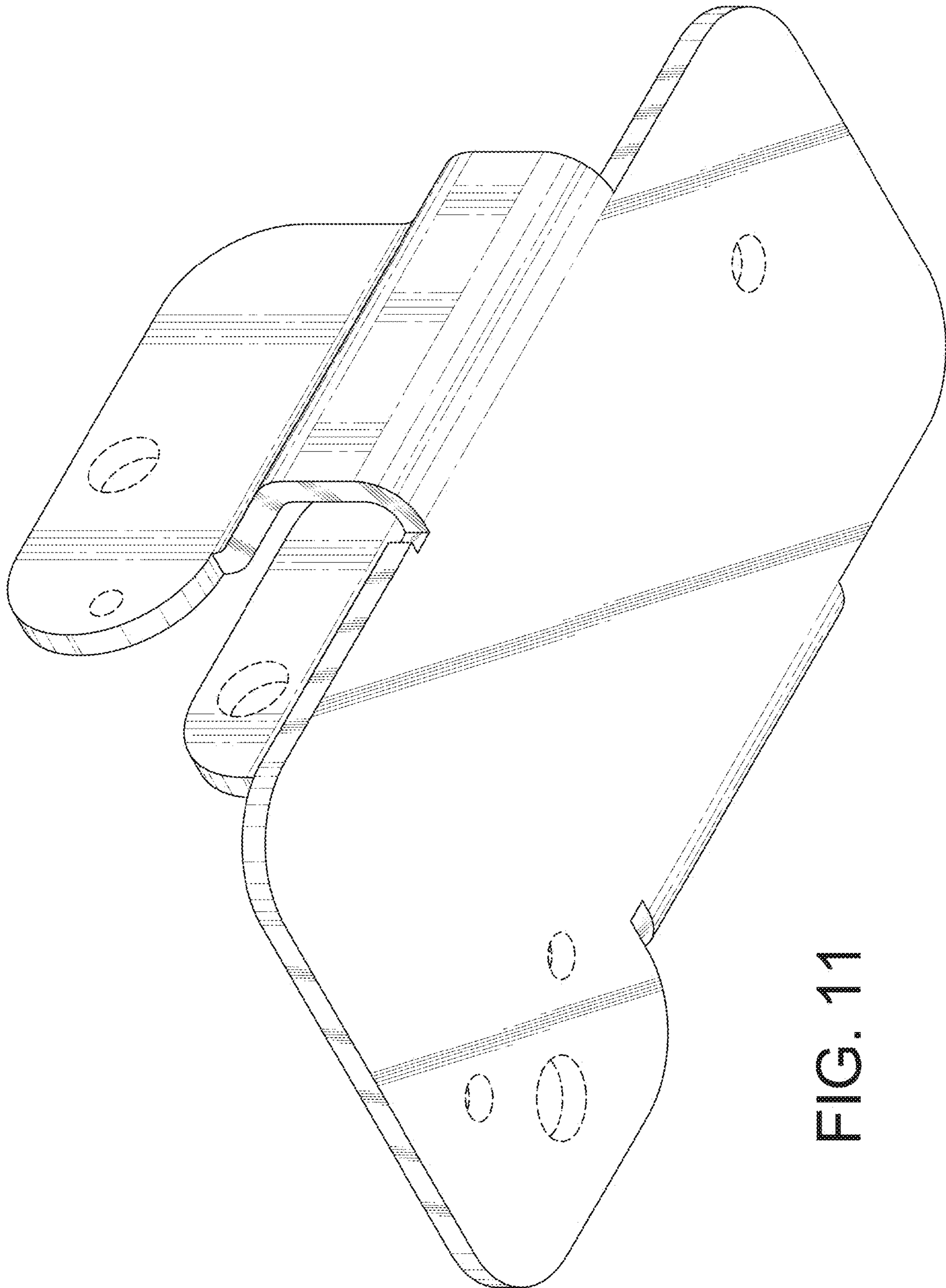


FIG. 11



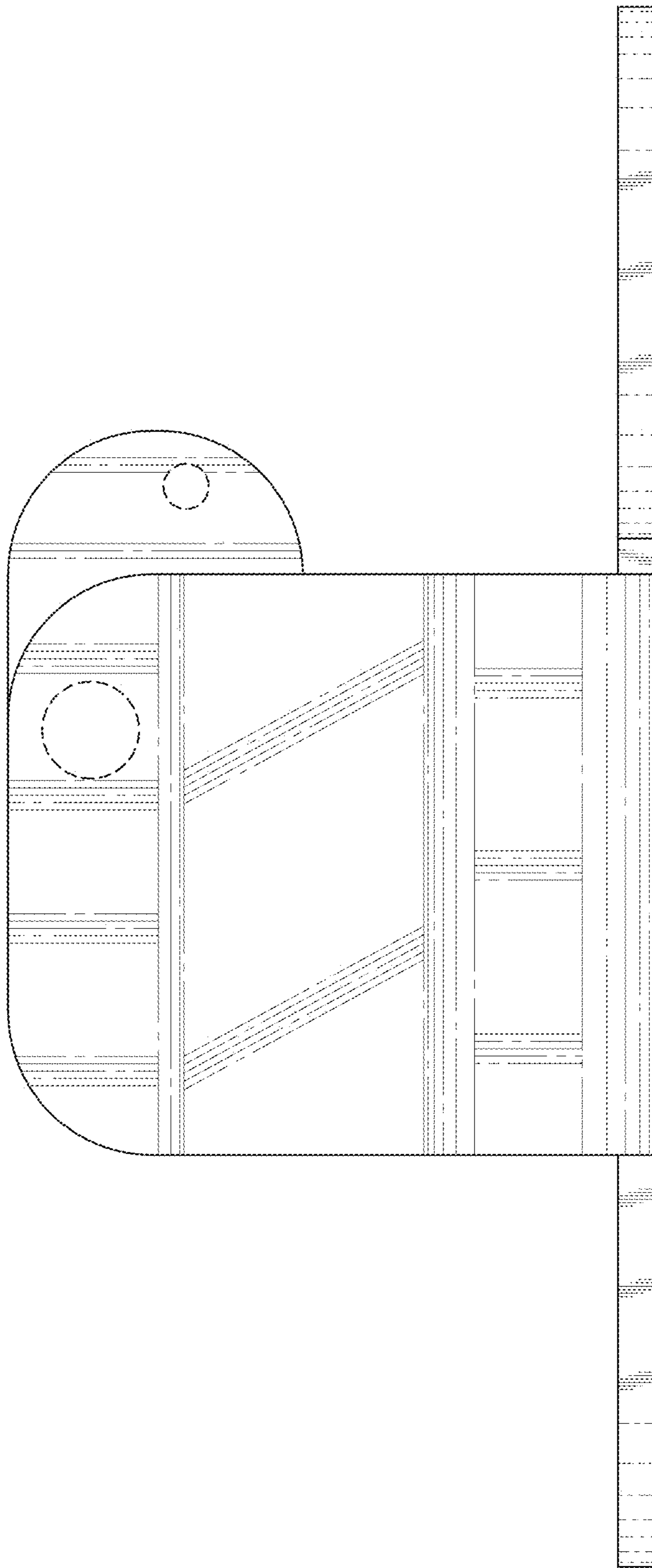


FIG. 12

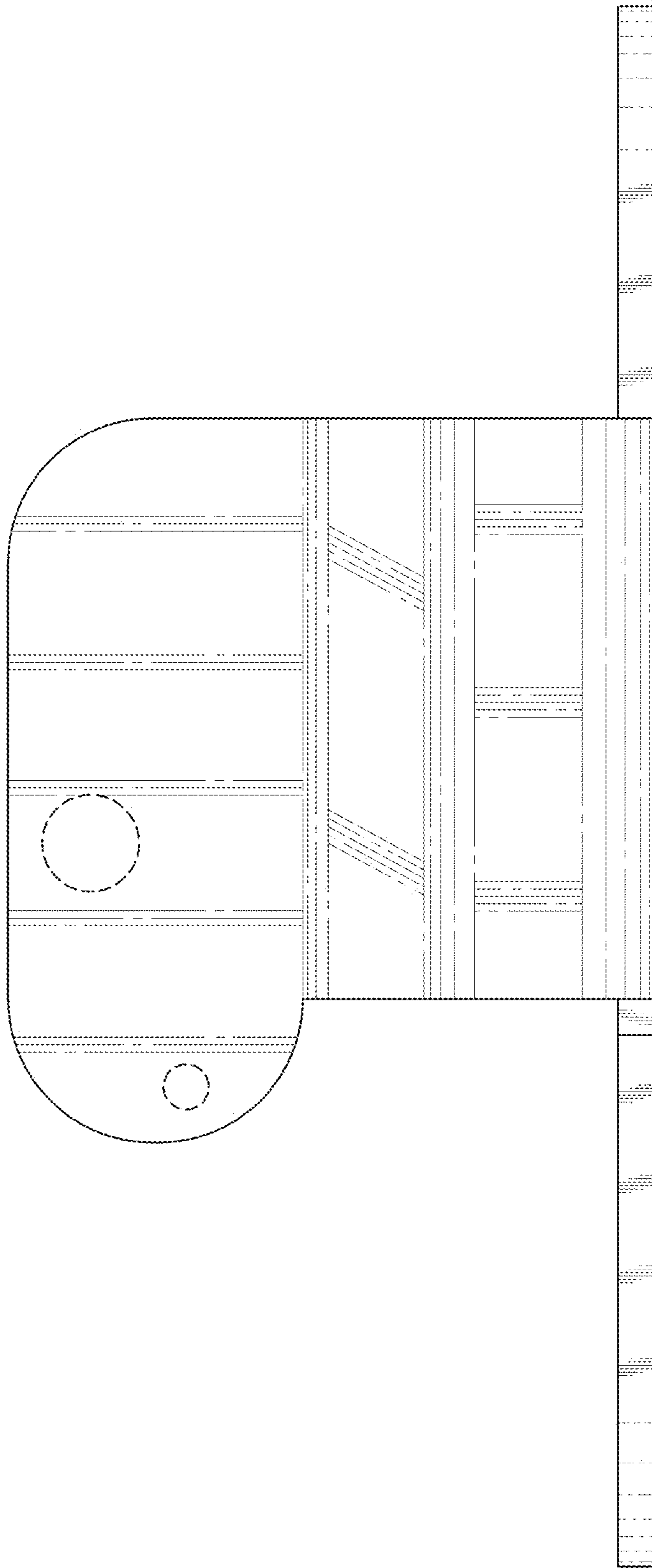


FIG. 13

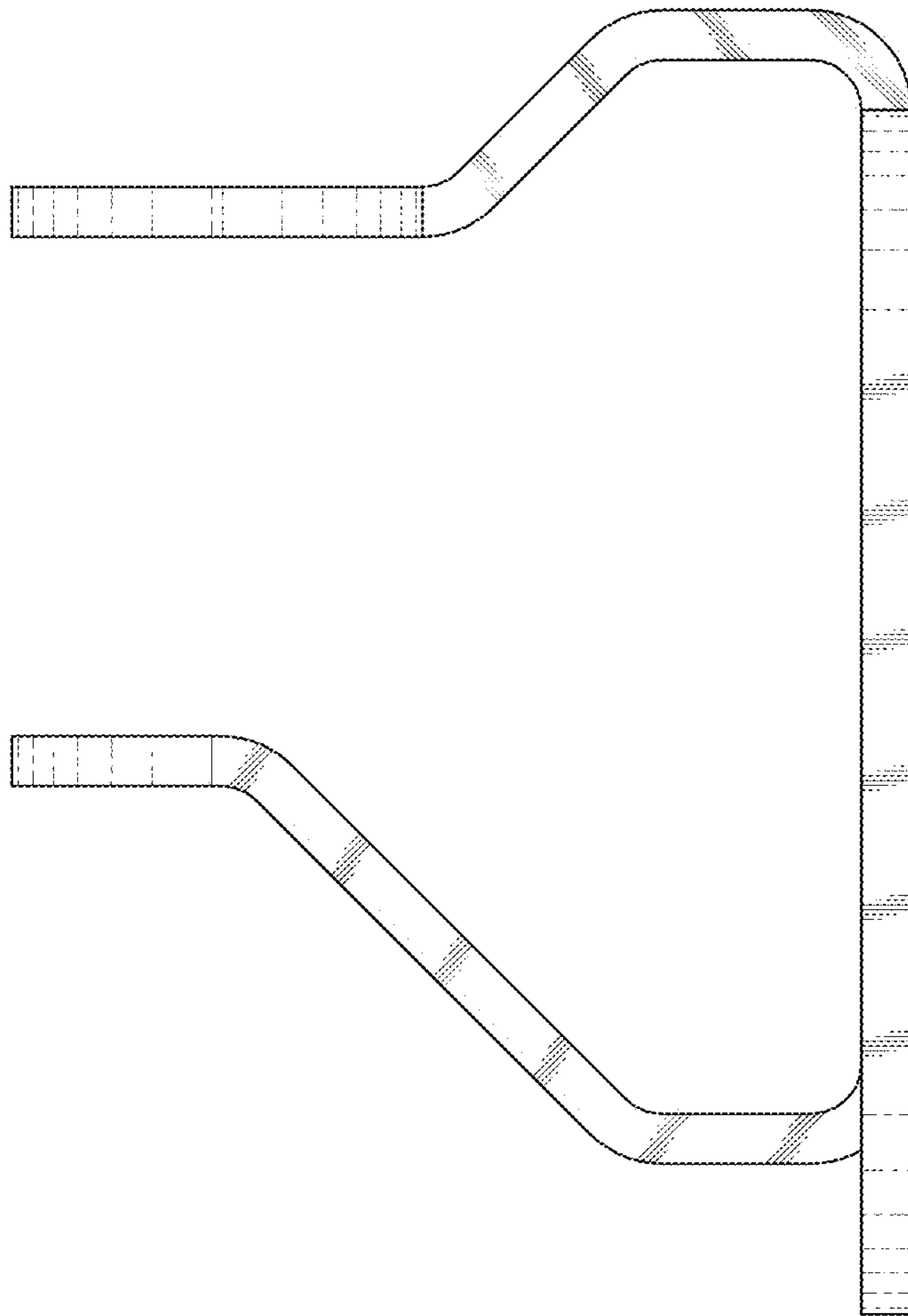


FIG. 14

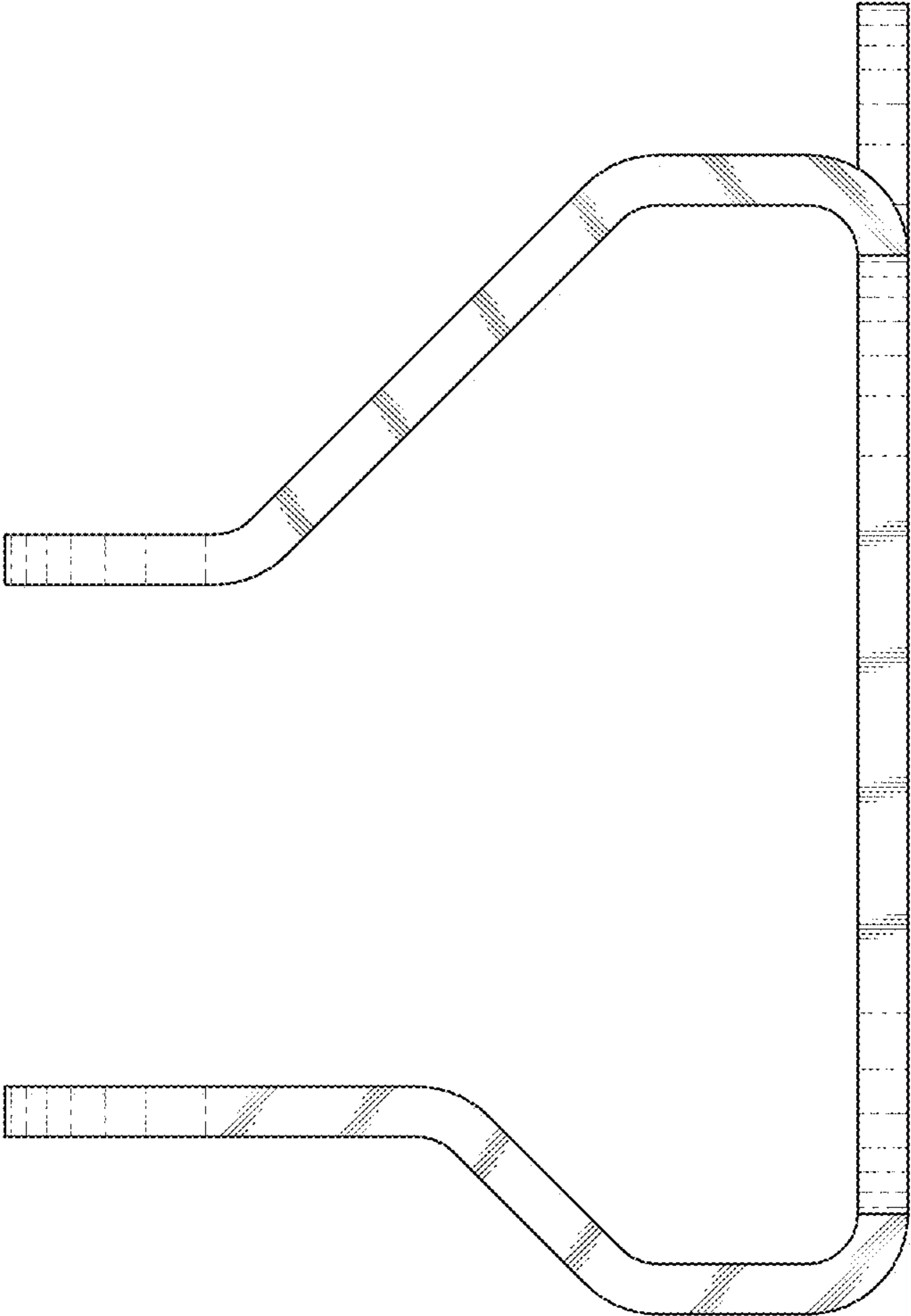


FIG. 15

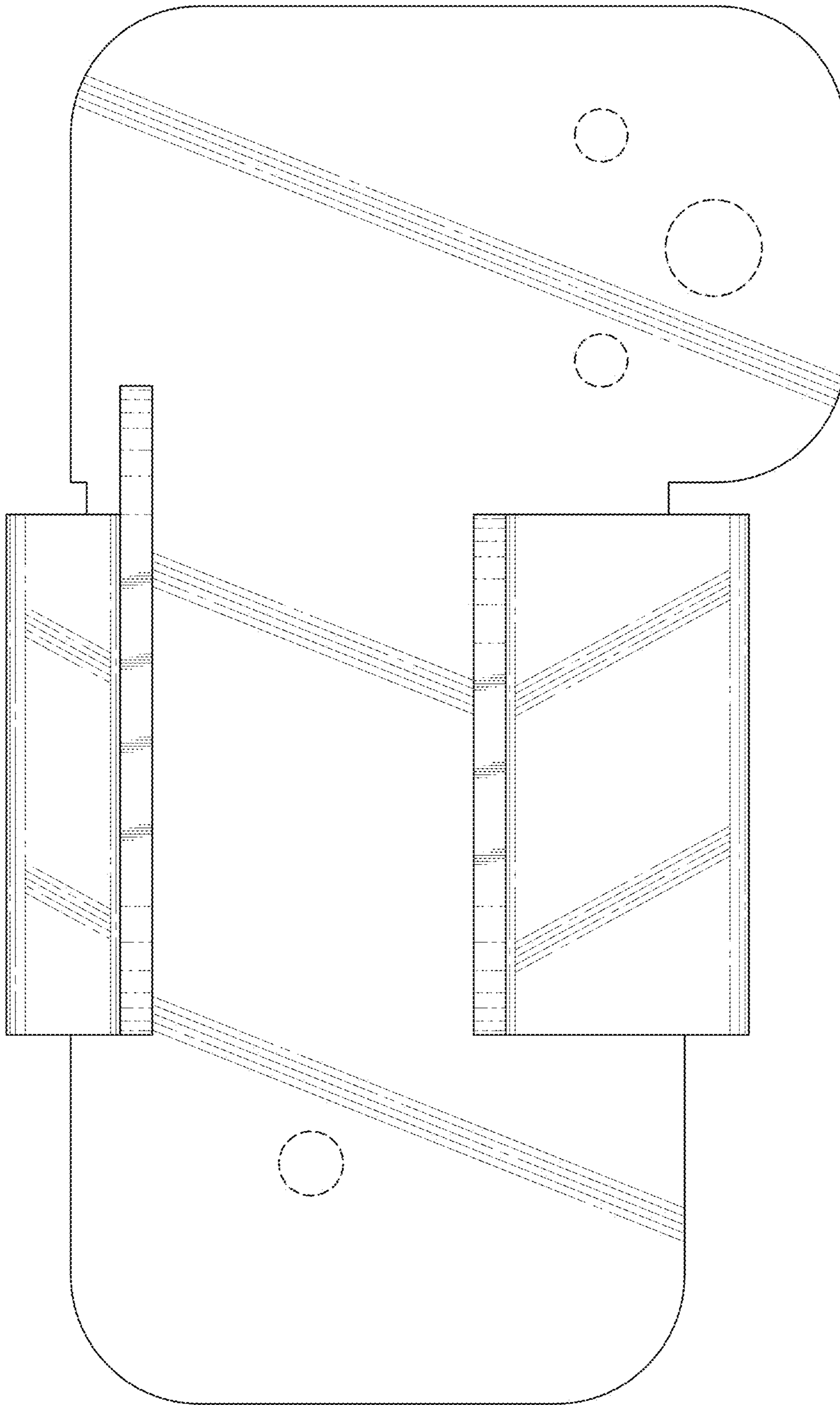


FIG. 16



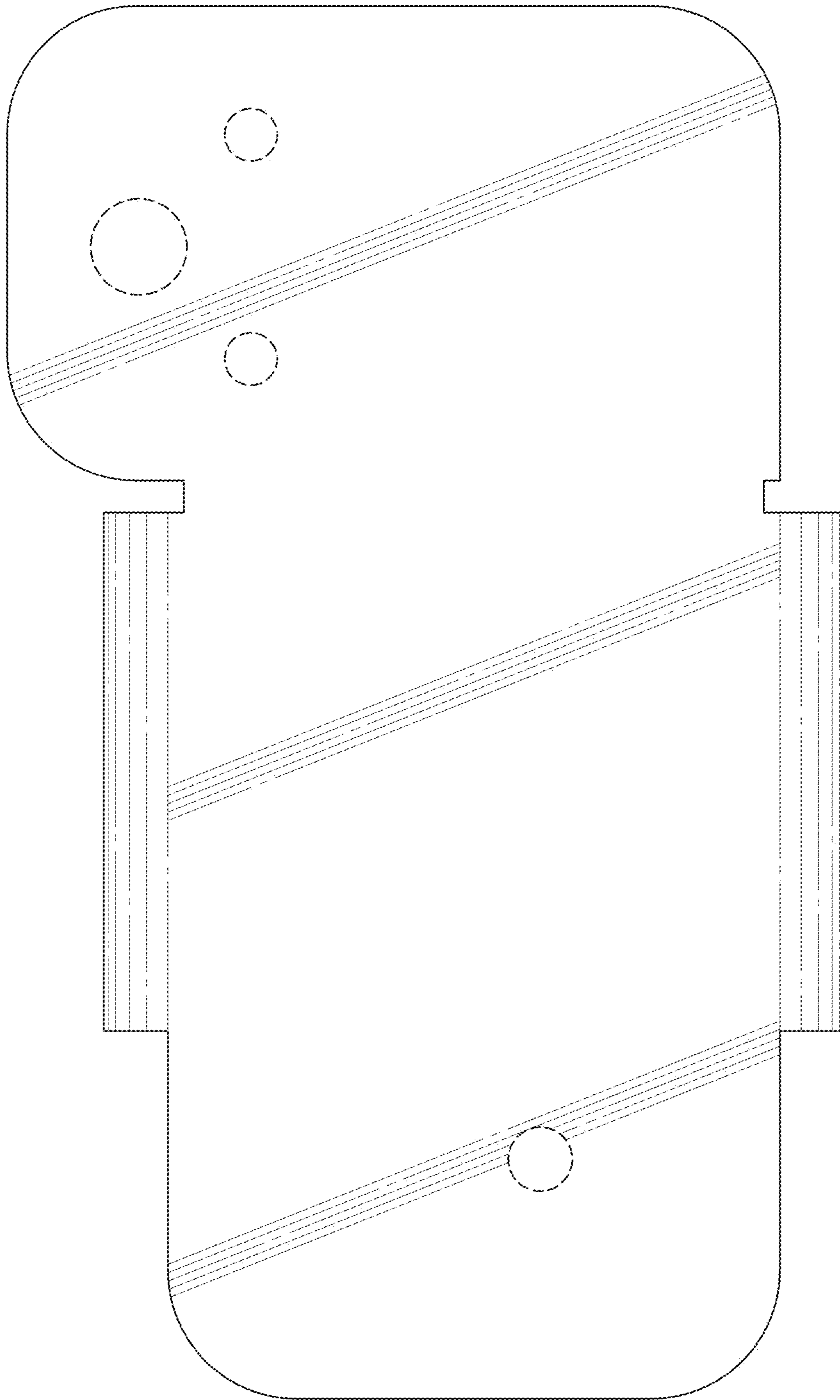


FIG. 17

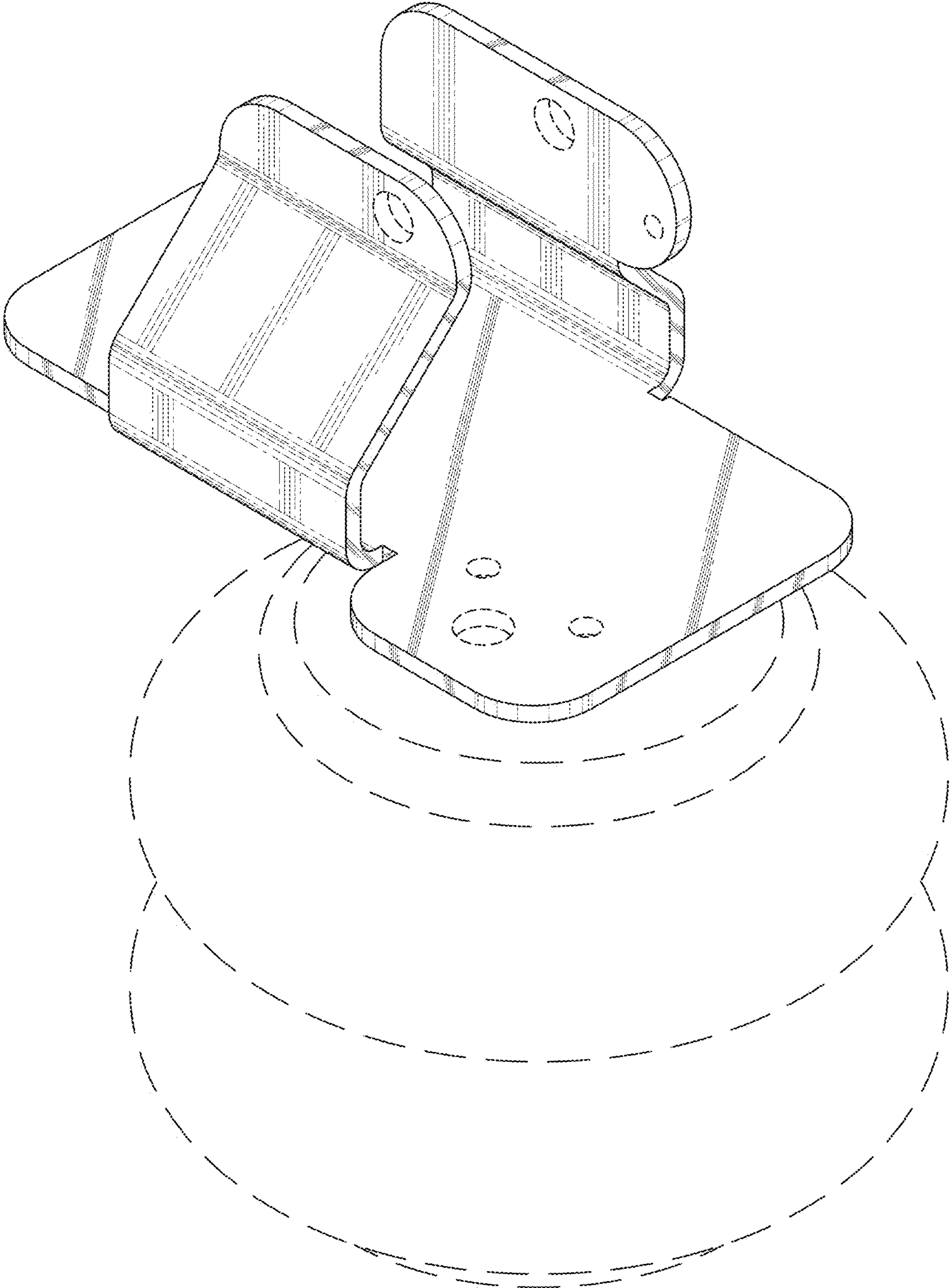


FIG. 18

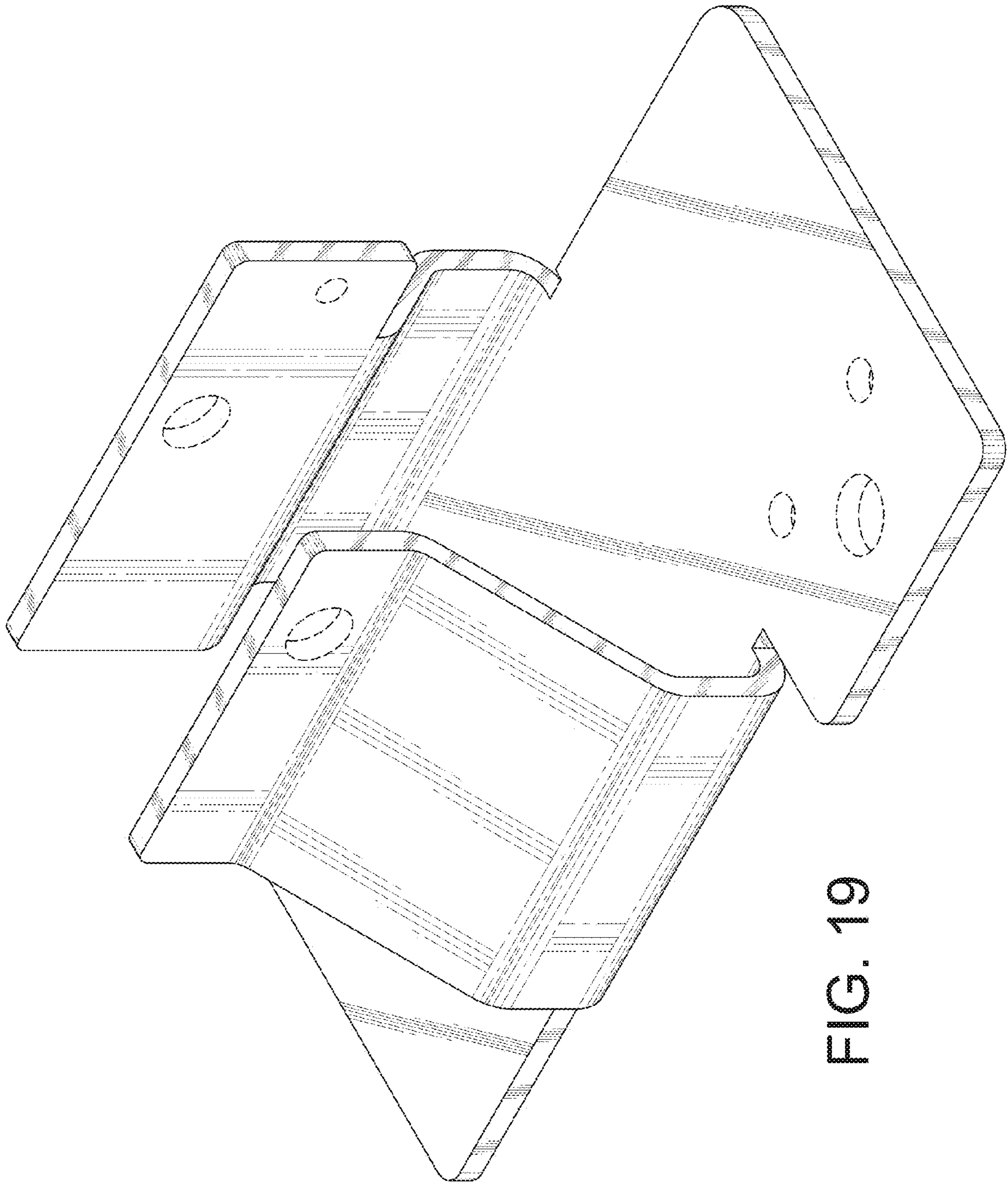


FIG. 19

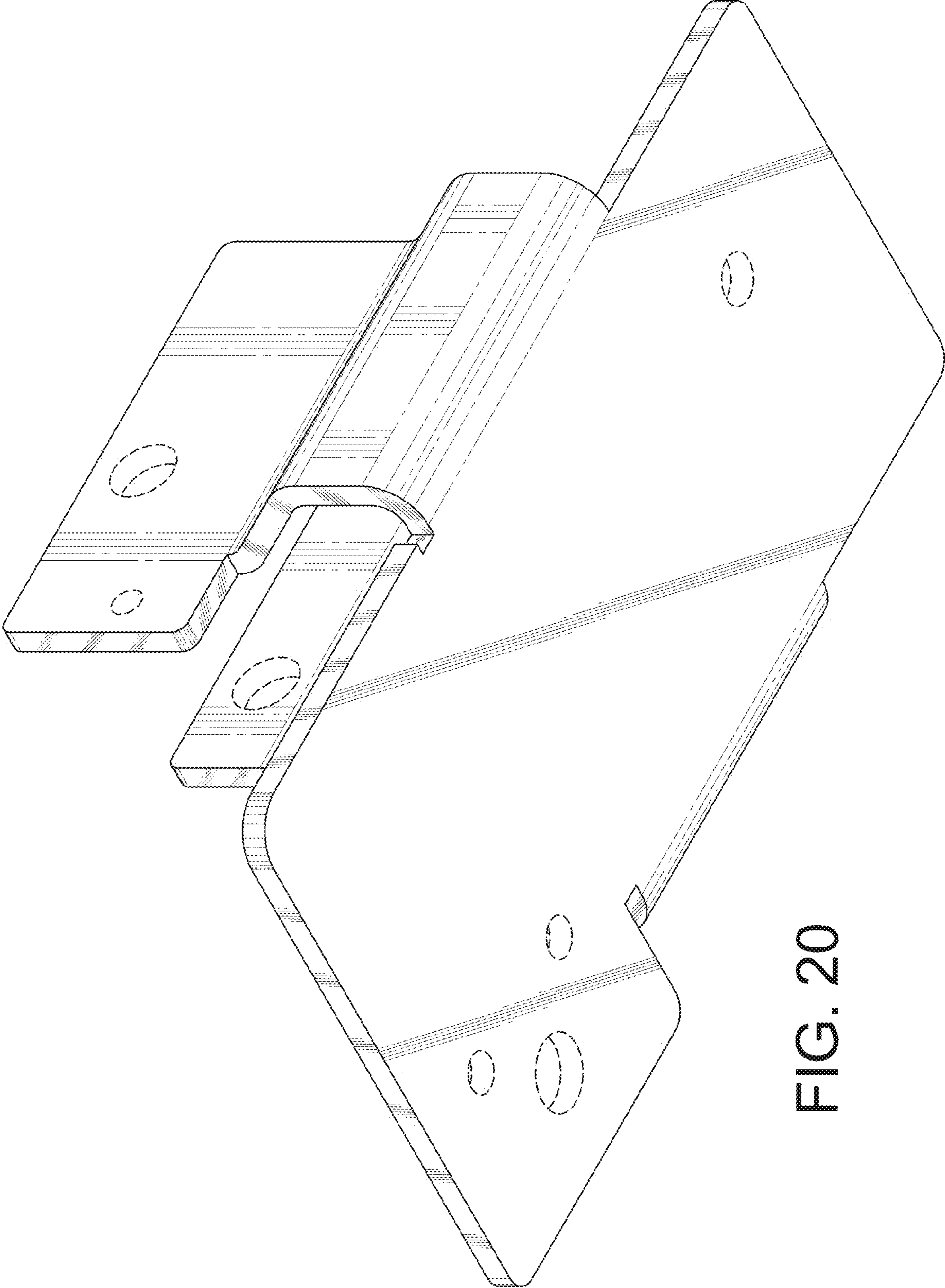


FIG. 20



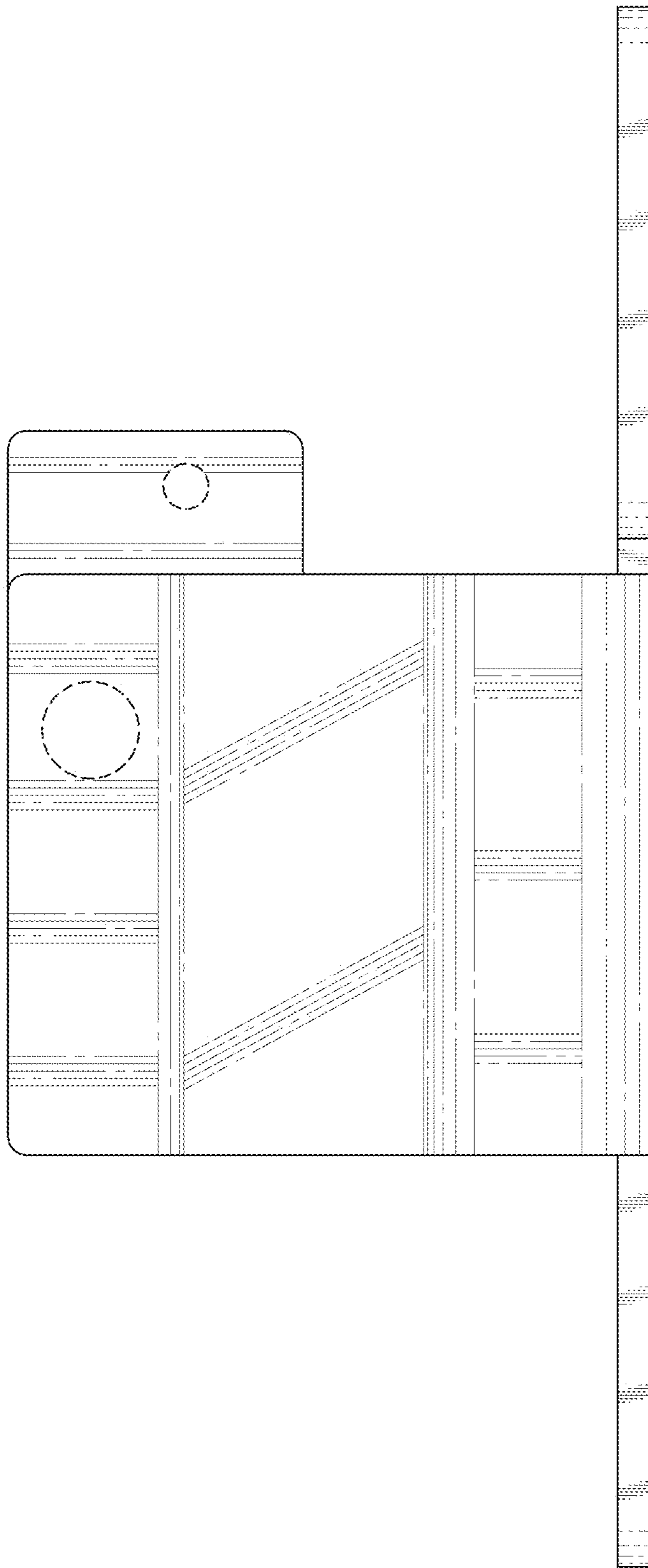


FIG. 21



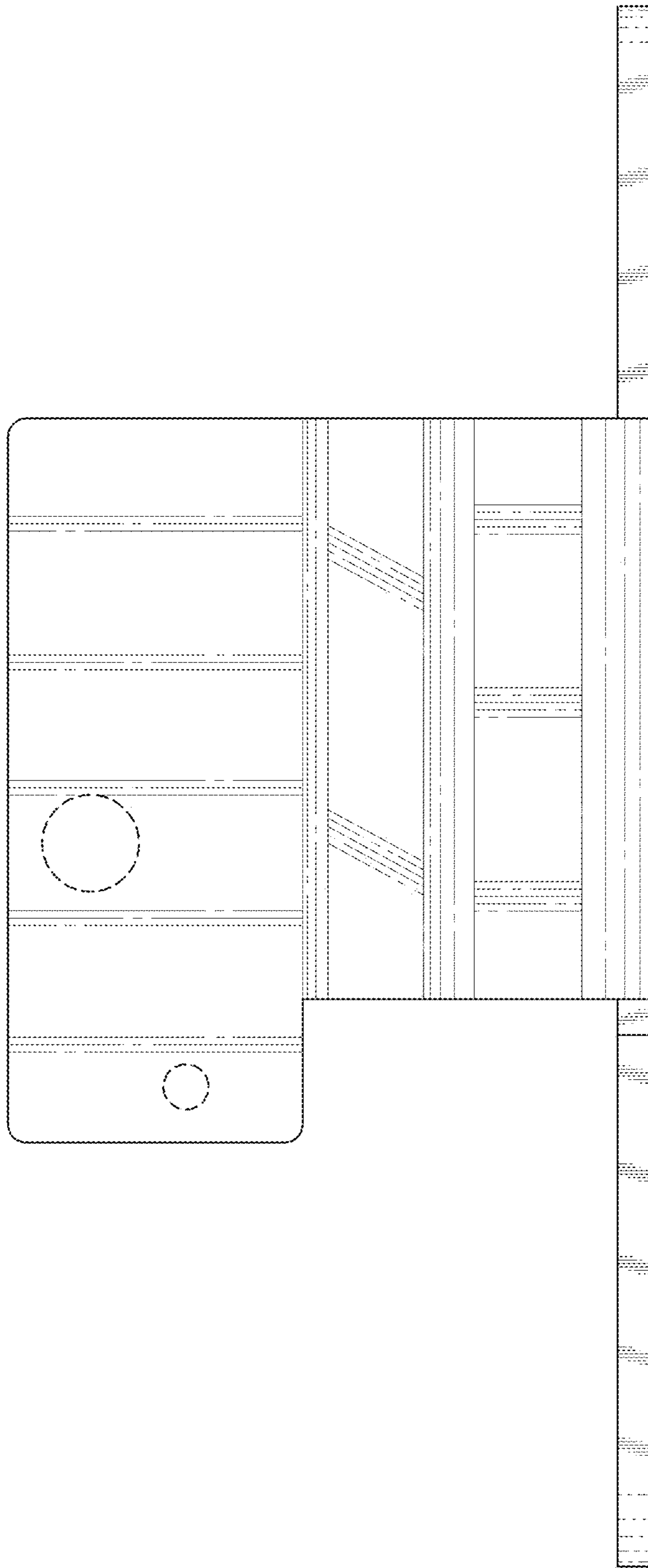


FIG. 22

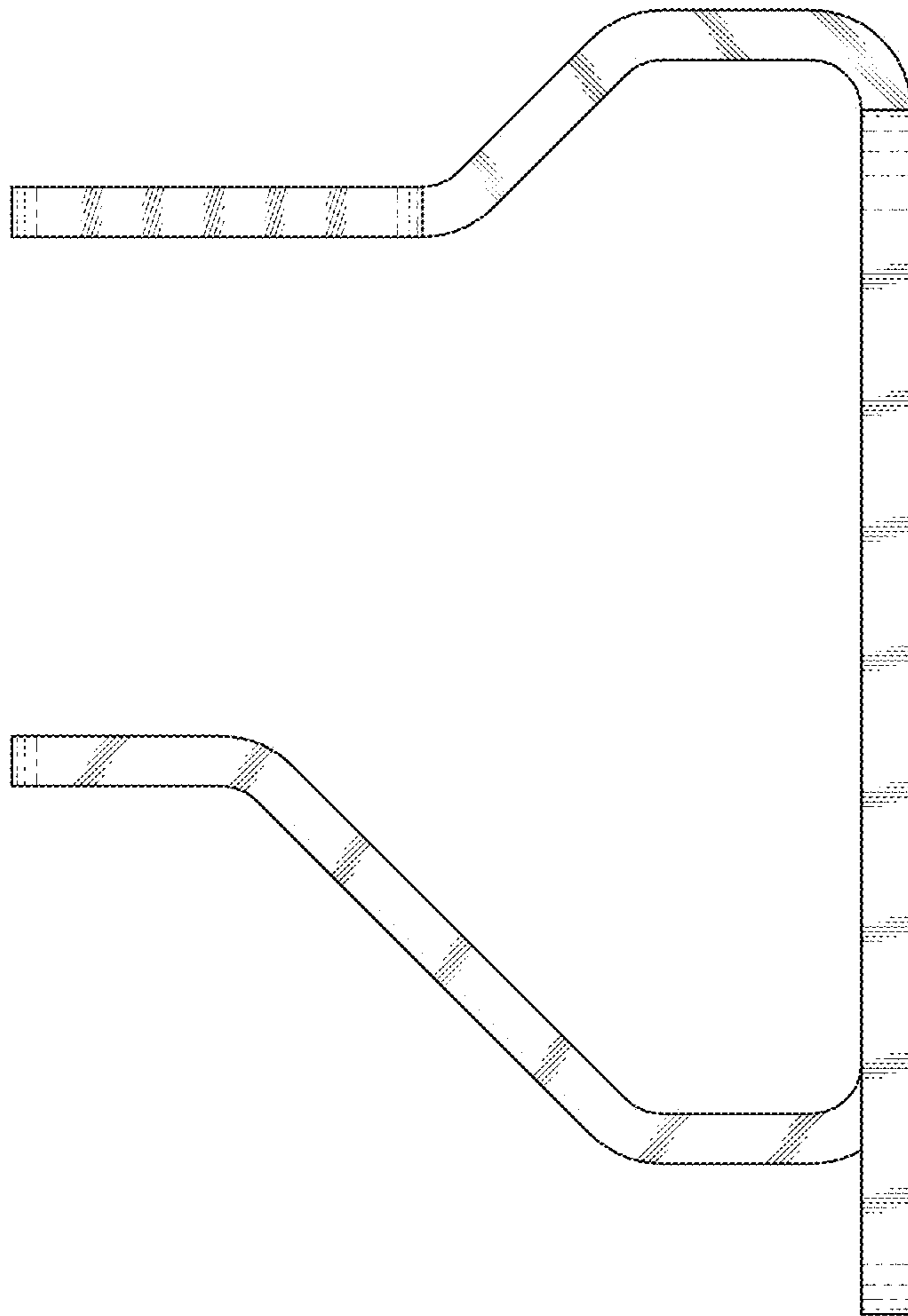


FIG. 23

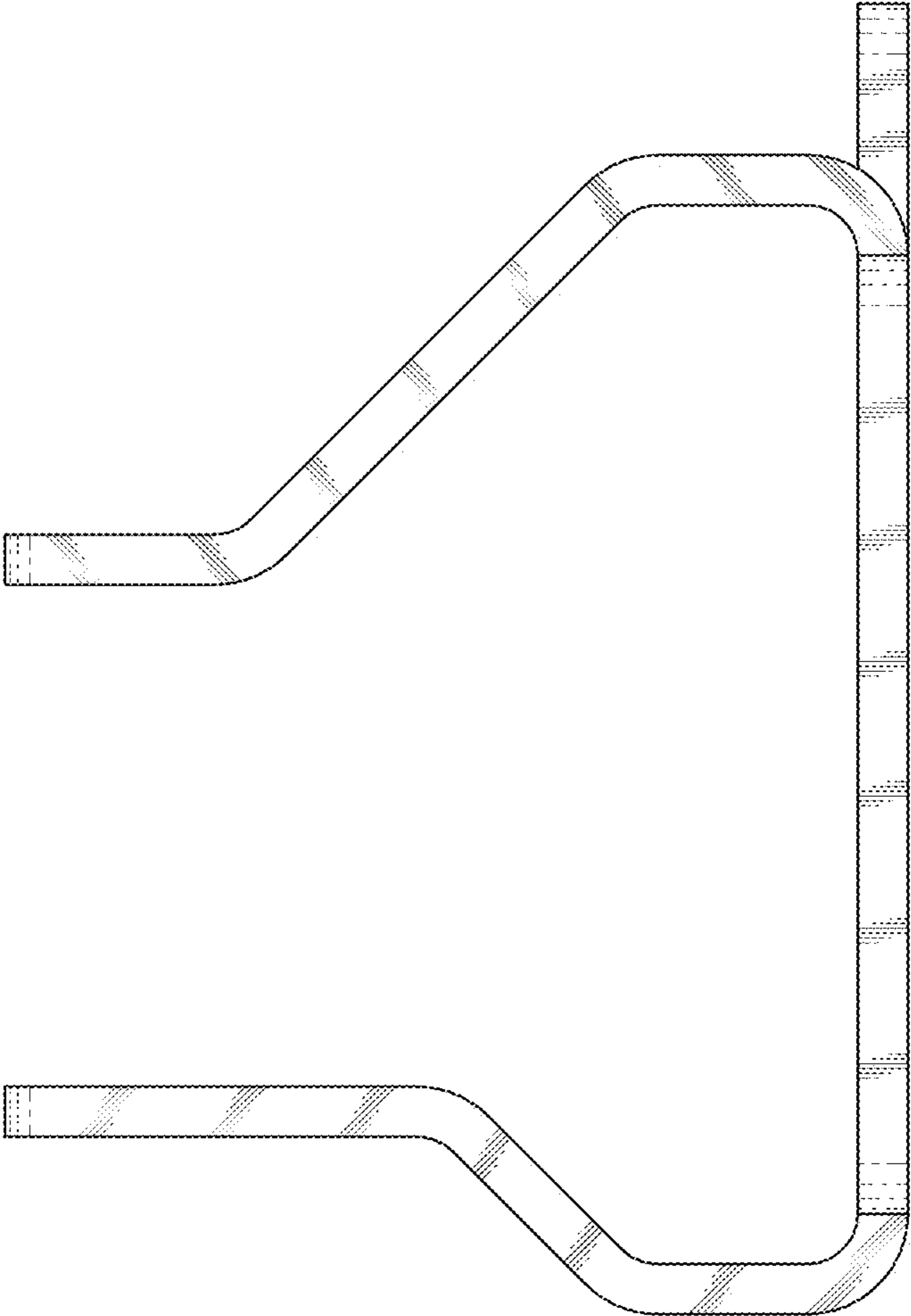


FIG. 24

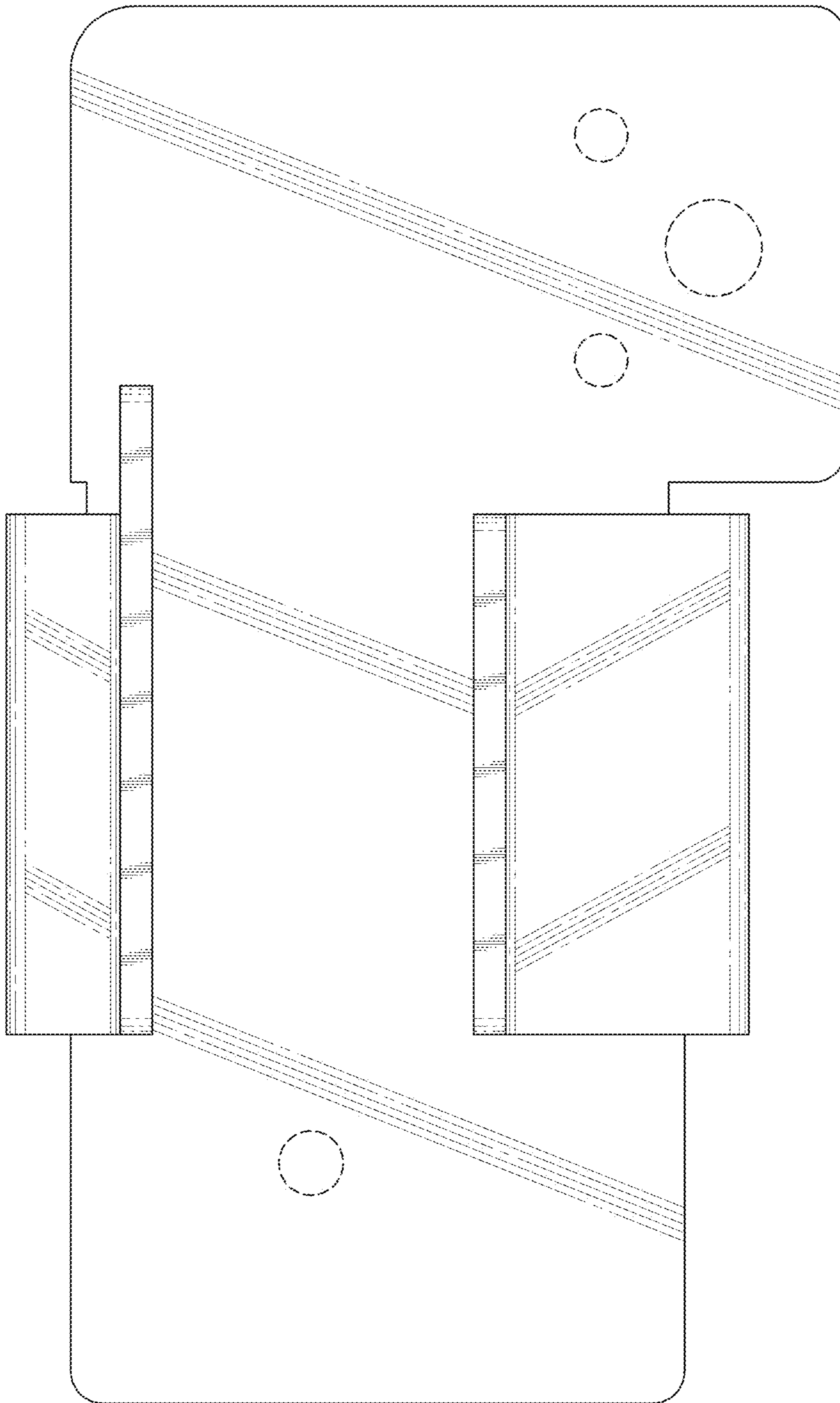


FIG. 25

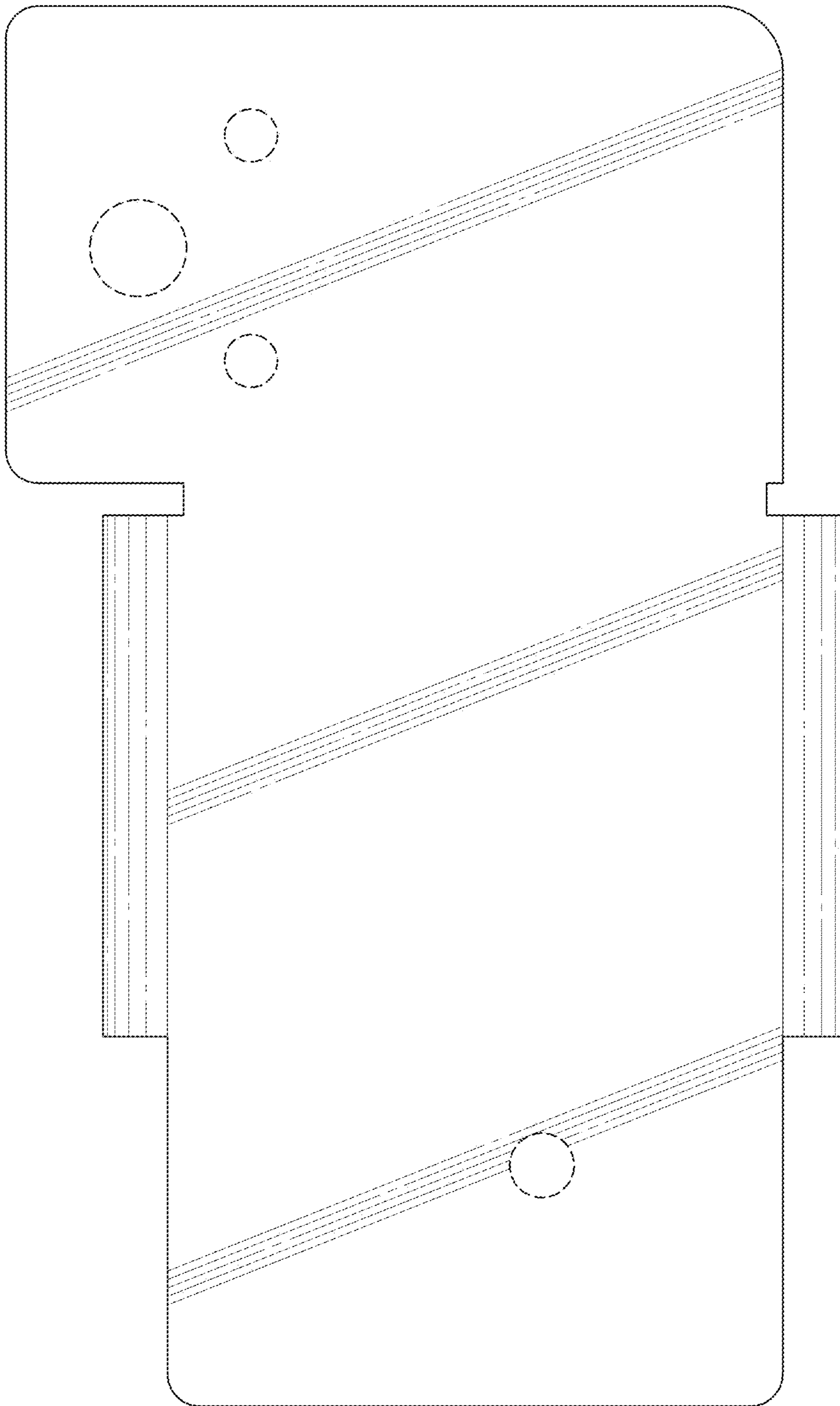


FIG. 26



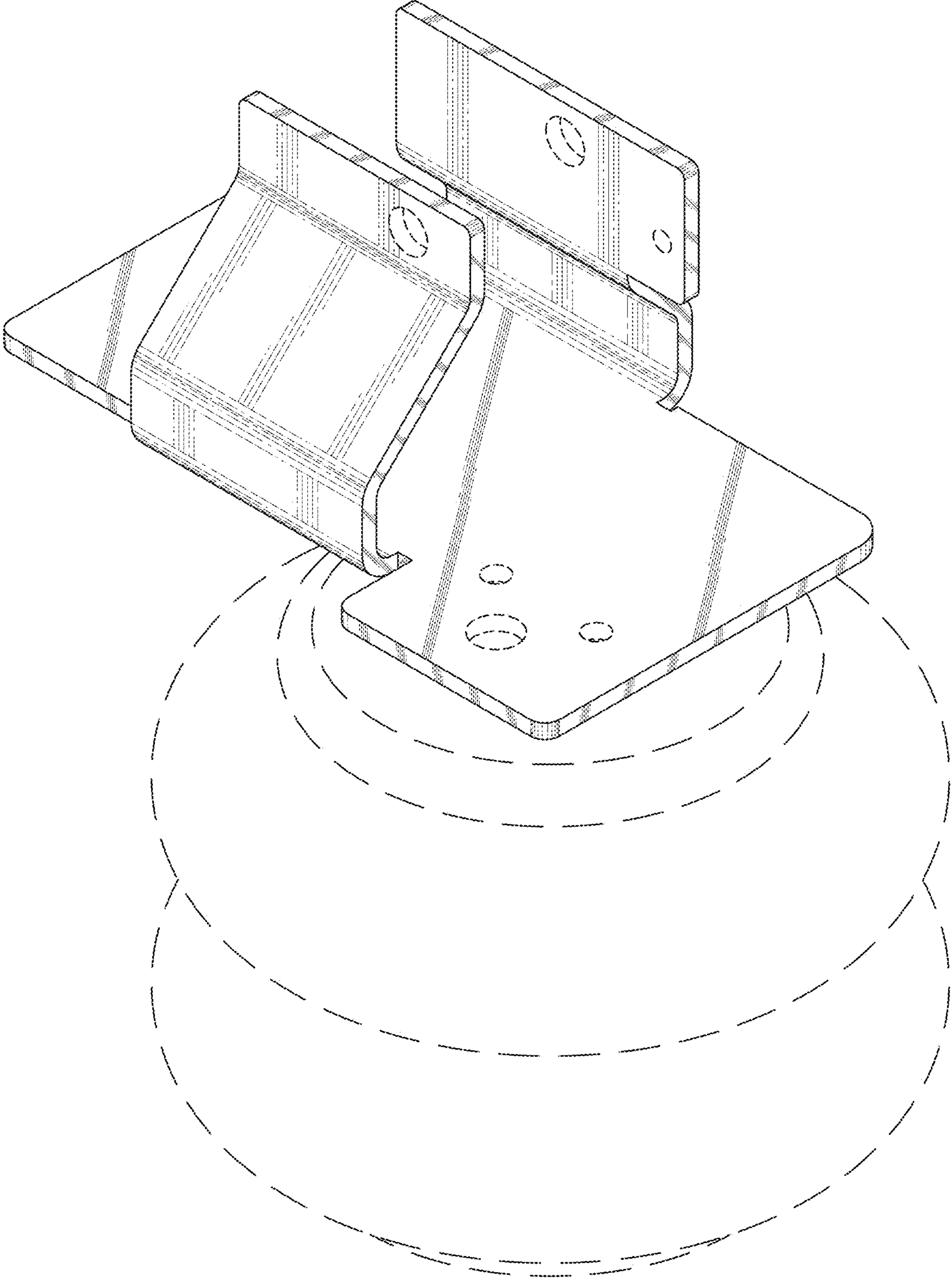


FIG. 27