



US00D950363S

(12) **United States Design Patent**
Thun et al.

(10) **Patent No.:** **US D950,363 S**
(45) **Date of Patent:** **** May 3, 2022**

(54) **SHOWER CONTROL PANEL**
(71) Applicant: **XIAMEN AXENT CORPORATION LTD**, Xiamen (CN)
(72) Inventors: **Matteo Thun**, Mailand (IT); **Antonio Rodriguez**, Mailand (IT)
(73) Assignee: **XIAMEN AXENT CORPORATION LTD**, Xiamen (CN)
(**) Term: **15 Years**

D561,313 S *	2/2008	Kolin	D23/304
D612,011 S *	3/2010	Cummings	D23/304
D616,066 S *	5/2010	Cummings	D23/304
D622,831 S *	8/2010	Sandee	D23/304
D695,880 S *	12/2013	Schoenherr	D23/304
D700,287 S *	2/2014	Schoenherr	D23/239
D746,422 S *	12/2015	Schoenherr	D23/304
D746,423 S *	12/2015	Schoenherr	D23/304
D746,963 S *	1/2016	Barber	D23/304
D746,964 S *	1/2016	Schoenherr	D23/304
D803,981 S *	11/2017	Thurgood	D23/223
D841,777 S *	2/2019	Ruan	D23/228
D895,992 S *	9/2020	Hall	D6/349

* cited by examiner

(21) Appl. No.: **29/736,938**
(22) Filed: **Jun. 4, 2020**

Primary Examiner — Susan Bennett Hattan
Assistant Examiner — Elizabeth S Ko
(74) *Attorney, Agent, or Firm* — Bayramoglu Law Offices LLC

(30) **Foreign Application Priority Data**

Dec. 5, 2019 (CN) 201930676630.4

(51) **LOC (13) Cl.** **08-05**
(52) **U.S. Cl.**
USPC **D8/363**

(57) **CLAIM**

The ornamental design for a shower control panel, as shown and described.

(58) **Field of Classification Search**
USPC D23/223, 226, 228, 304; D8/300, 303, D8/308, 321, 349–350, 363–364, 373, D8/380, 384, 71
CPC A47K 3/122; A47K 3/281; A47K 3/003; A47K 3/001; A47K 3/002; A47K 3/004; A47K 3/022; A47K 3/12; A47K 3/127; A47K 3/28; A47K 3/30; A47K 3/302; A47K 3/36; A47K 3/40; A47K 3/405; A47K 5/02; E03C 1/0408; E03C 1/042; E03C 2001/0418; E03C 2201/50
See application file for complete search history.

DESCRIPTION

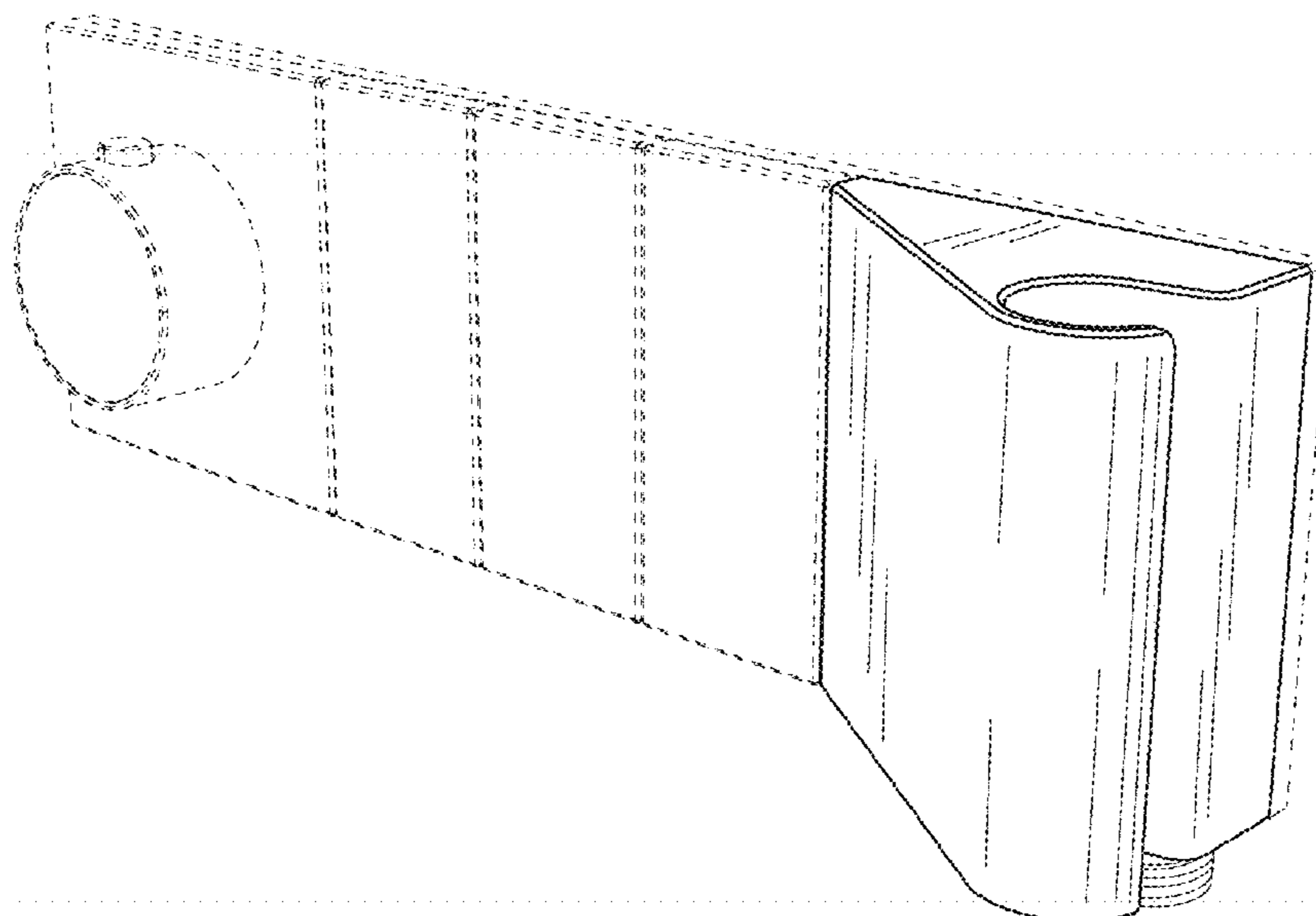
FIG. 1 is a front, top and left perspective view of a shower control panel showing our new design; FIG. 2 is a front, top and right perspective view thereof; FIG. 3 is a front view thereof; FIG. 4 is a top view thereof; FIG. 5 is a left side view thereof; and, FIG. 6 is a right side view thereof. A rear view and a bottom view are omitted since the rear view and the bottom view are invisible in normal use. The broken lines depict portions of the shower control panel in which the design is embodied that form no part of the claimed design.

(56) **References Cited**

U.S. PATENT DOCUMENTS

D419,227 S * 1/2000 Ben-Tsur D23/304
D542,391 S * 5/2007 Gilbert D23/304

1 Claim, 6 Drawing Sheets



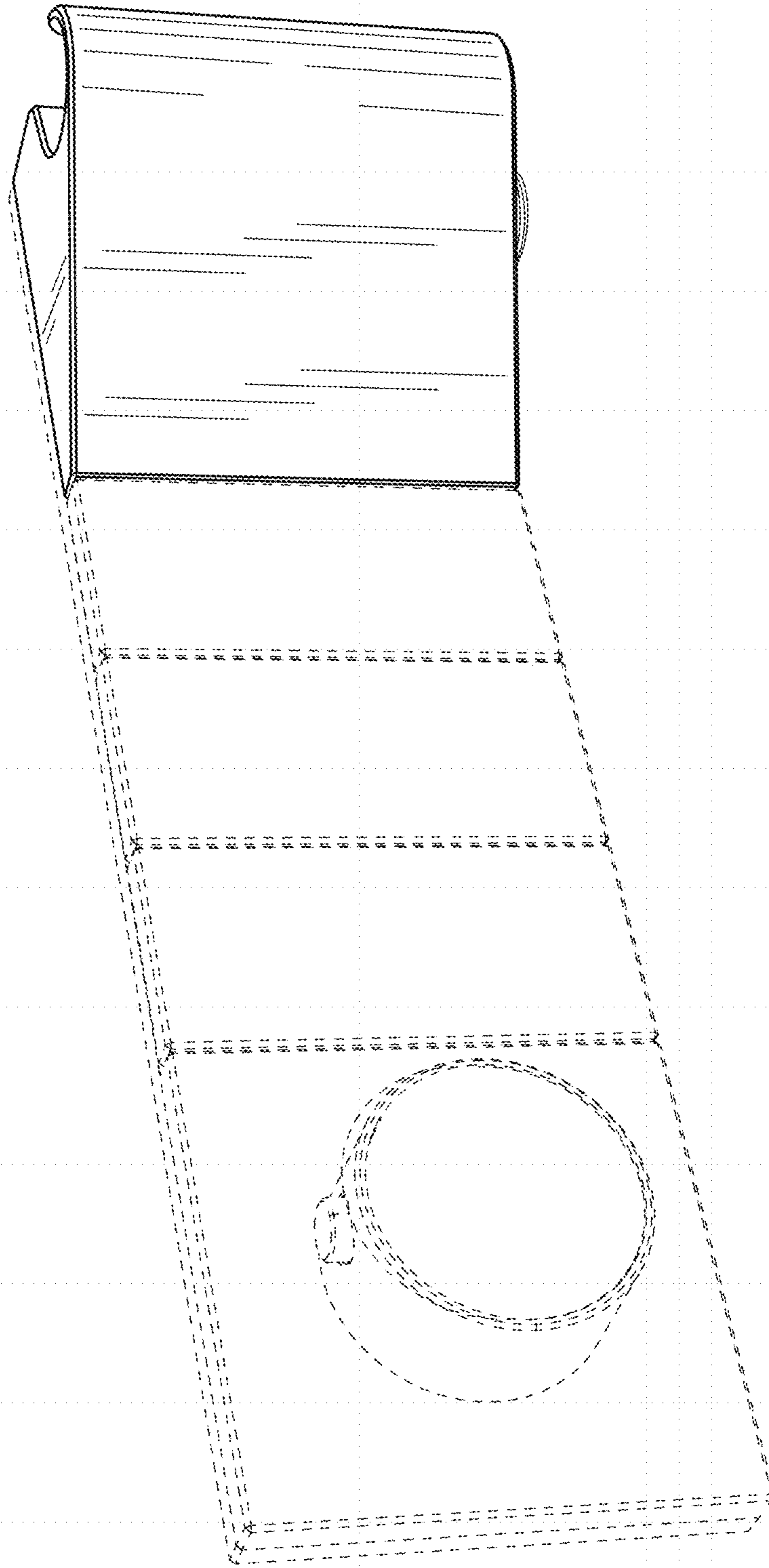


FIG. 1

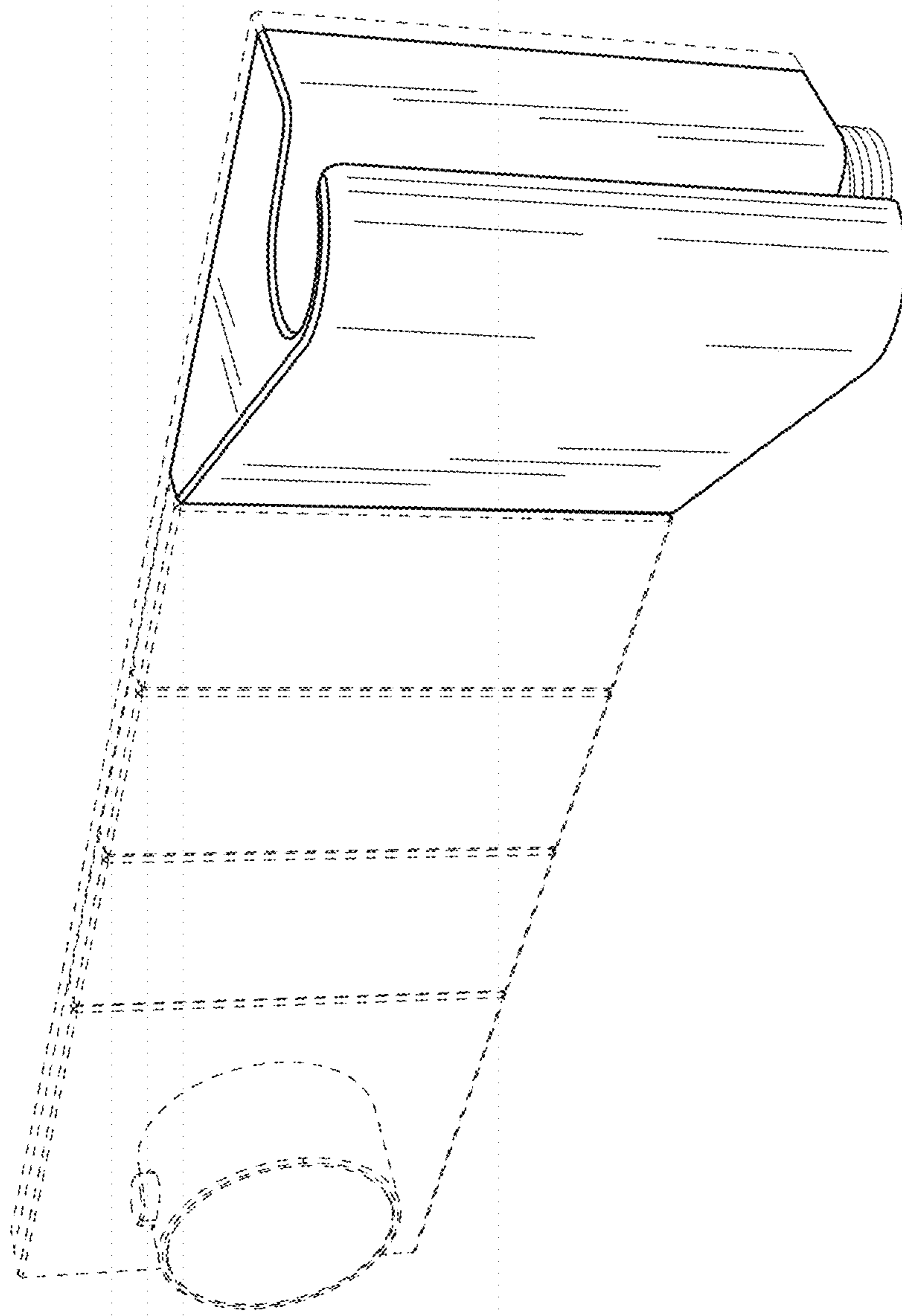


FIG. 2

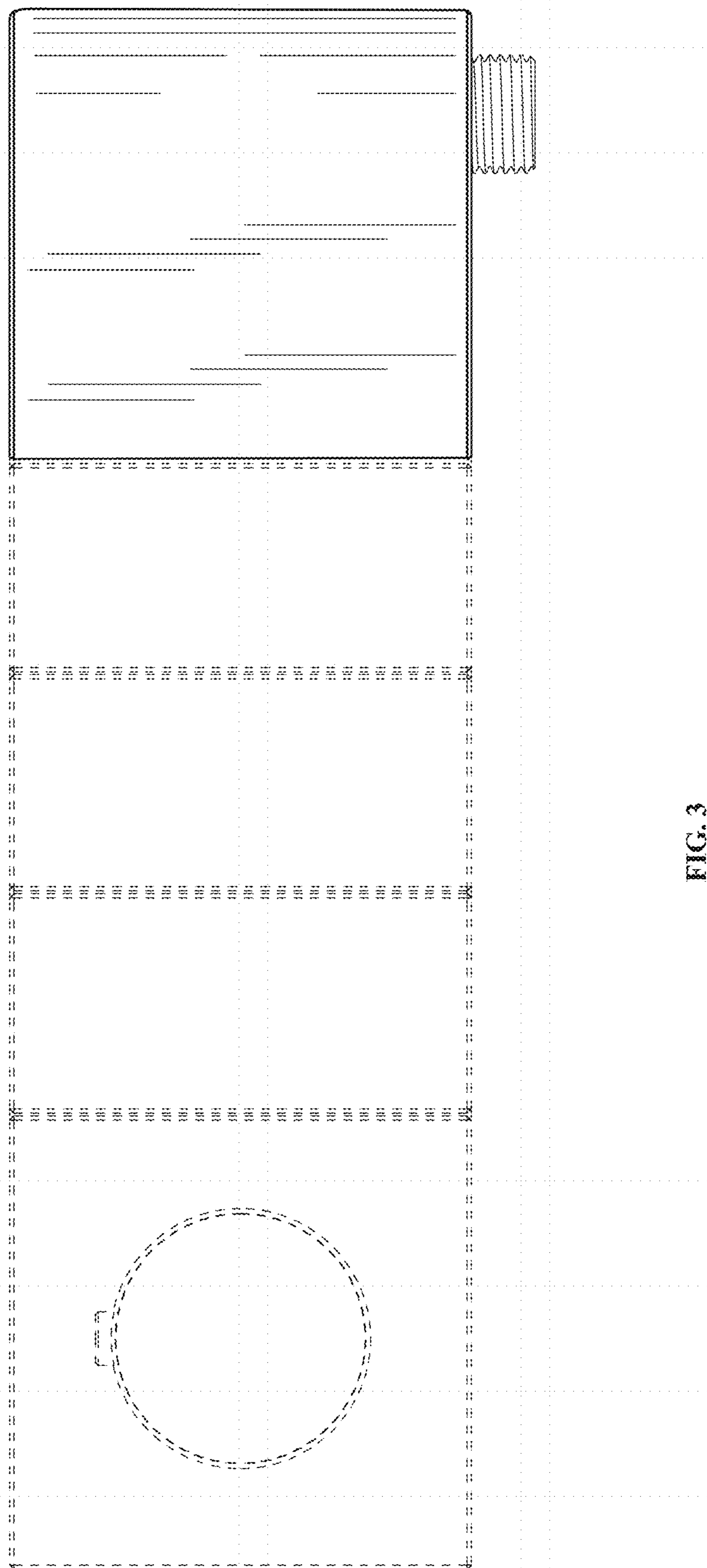


FIG. 3

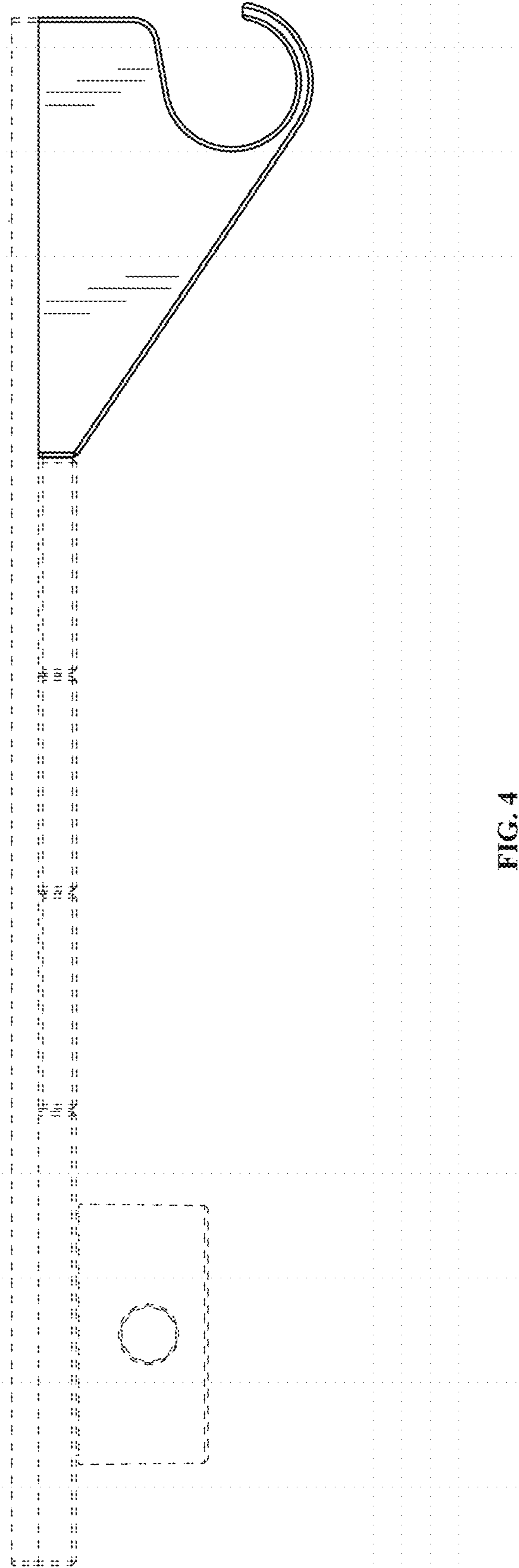
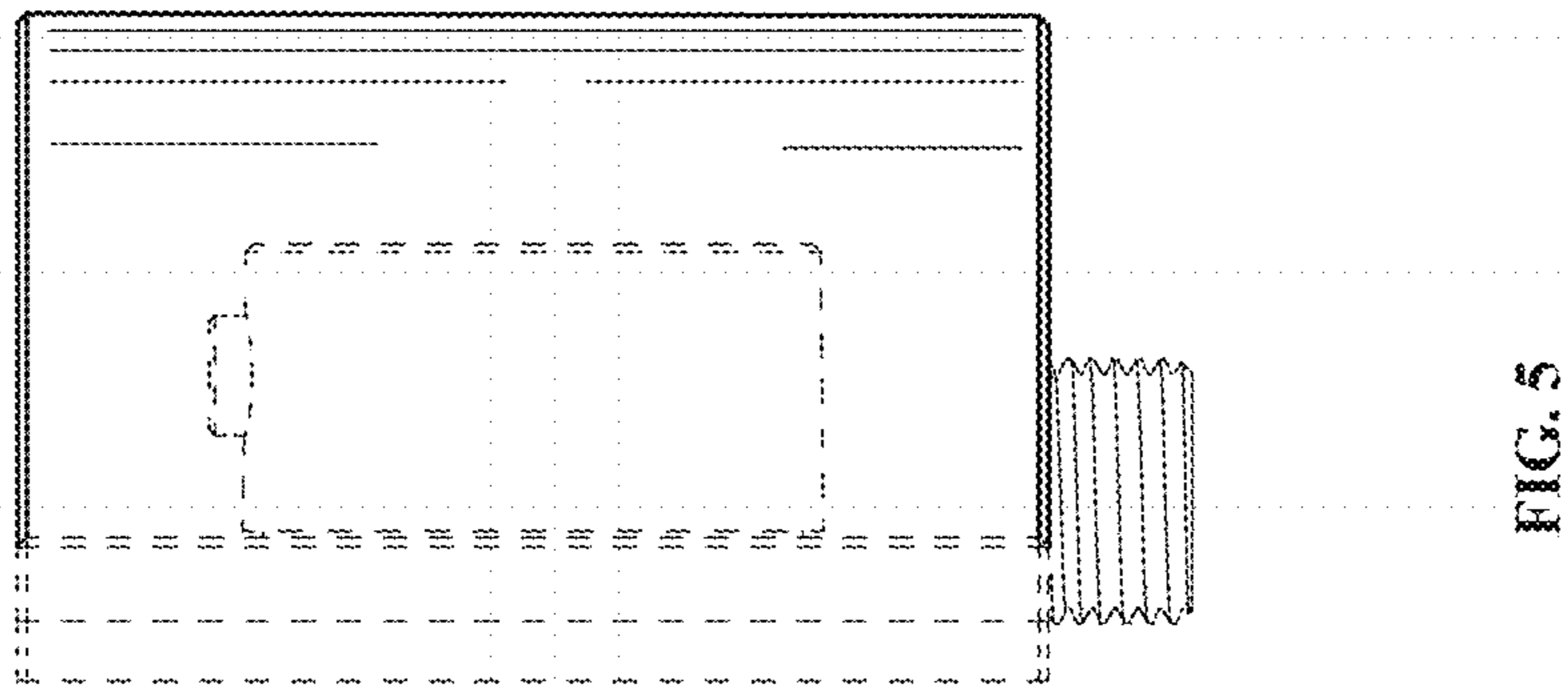


FIG. 4



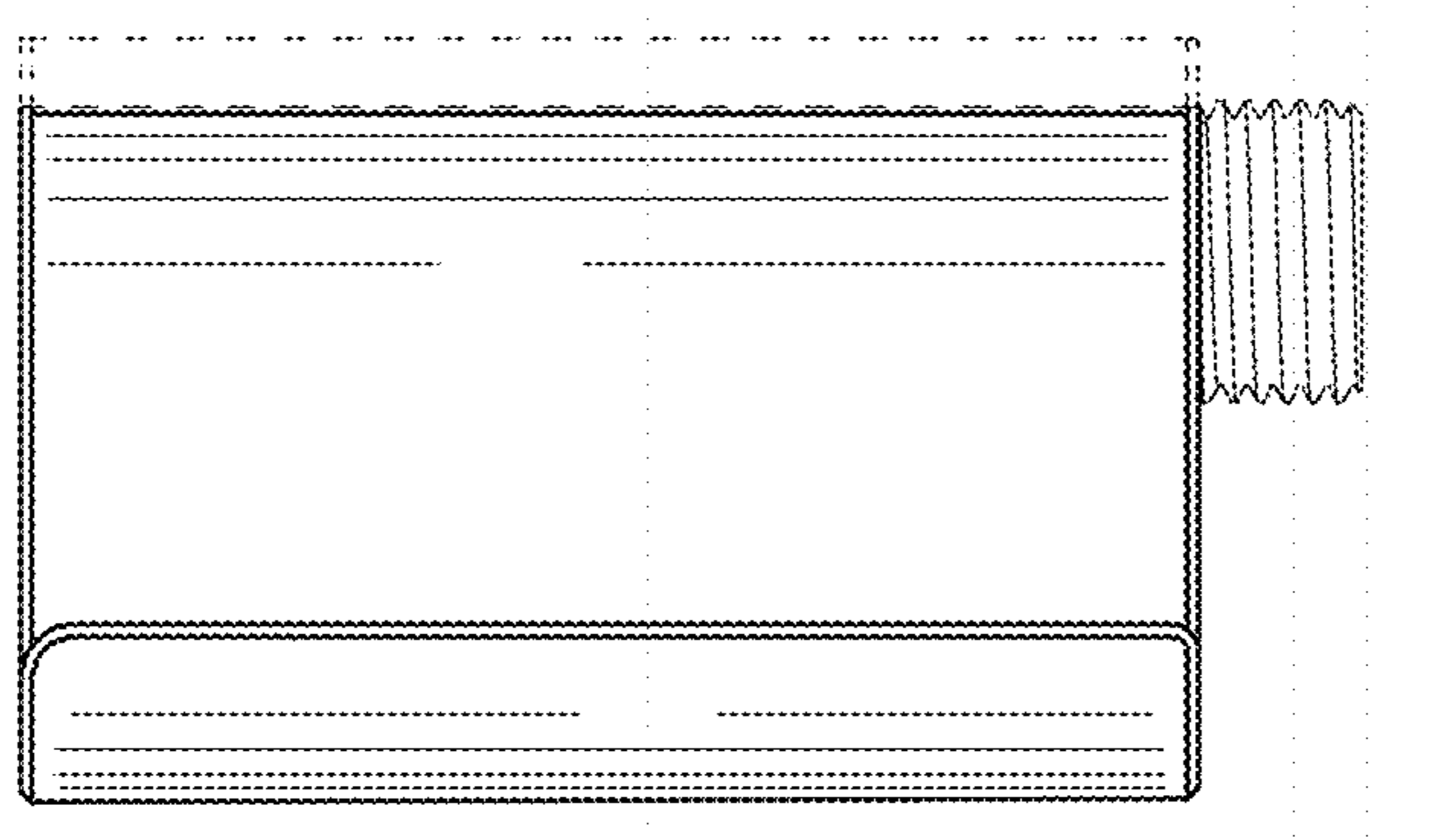


FIG. 6