



US00D950361S

(12) **United States Design Patent**
Becker

(10) **Patent No.:** **US D950,361 S**

(45) **Date of Patent:** **** May 3, 2022**

(54) **FOUNDATION BOLT SUSPENSION DEVICE**

(71) Applicant: **Louis A. Becker**, Sacramento, CA (US)

(72) Inventor: **Louis A. Becker**, Sacramento, CA (US)

(**) Term: **15 Years**

(21) Appl. No.: **29/743,101**

(22) Filed: **Jul. 17, 2020**

Related U.S. Application Data

(62) Division of application No. 29/639,431, filed on Mar. 6, 2018, now Pat. No. Des. 887,257.

(51) **LOC (13) Cl.** **08-05**

(52) **U.S. Cl.**
USPC **D8/354**

(58) **Field of Classification Search**
USPC D8/349, 354, 366, 373, 380, 381, 382,
D8/385, 499

CPC . E04G 21/162; E04G 21/1841; E04G 21/185;
E04B 1/20; E04B 1/21; E04B 1/215;
E04B 1/24; E04B 1/2403; E04B 1/28;
E04B 1/30; E04B 1/38; E04B 1/41; E04B
1/4114; E04B 1/483; E04B 2001/2406;
E04B 2001/2415; E04B 2001/2418; E04B
2001/405; F16B 7/00; F16B 7/04; F16B
7/18; F16B 7/187

See application file for complete search history.

(56) **References Cited**

U.S. PATENT DOCUMENTS

4,202,149 A * 5/1980 Betrue, Sr. E04B 1/0007
52/699
D283,506 S * 4/1986 Jencks D8/354
D289,007 S * 3/1987 Garcia D8/354
D306,133 S * 2/1990 Zupancic D8/354
D309,249 S * 7/1990 Crowley D8/354
D312,382 S * 11/1990 Ryll D8/349

D317,250 S * 6/1991 Shook D8/380
D318,785 S * 8/1991 Dean D8/349
D337,513 S * 7/1993 Soloway D8/373
D337,514 S * 7/1993 Nasca D8/373
5,337,534 A * 8/1994 Nasca E04G 21/185
249/93
D370,171 S * 5/1996 Emerson D8/354
5,688,428 A * 11/1997 Maguire E04G 21/185
249/219.1
5,729,939 A * 3/1998 Di Benedetto E04B 1/41
52/293.3
D409,895 S * 5/1999 Schron, Jr. D8/349
5,937,609 A * 8/1999 Roth E04B 1/4121
52/698
D415,950 S * 11/1999 Anderson D8/354
6,070,375 A * 6/2000 Anderson E06B 1/28
52/204.54
D494,050 S * 8/2004 Klein D8/373
D494,051 S * 8/2004 Klein D8/373
D543,834 S * 6/2007 Worthy D8/354
D741,688 S * 10/2015 James D8/349
D820,664 S * 6/2018 Allen D8/354

(Continued)

Primary Examiner — Llorellys Martinez

(74) *Attorney, Agent, or Firm* — Quickpatents, LLC;
Kevin Prince

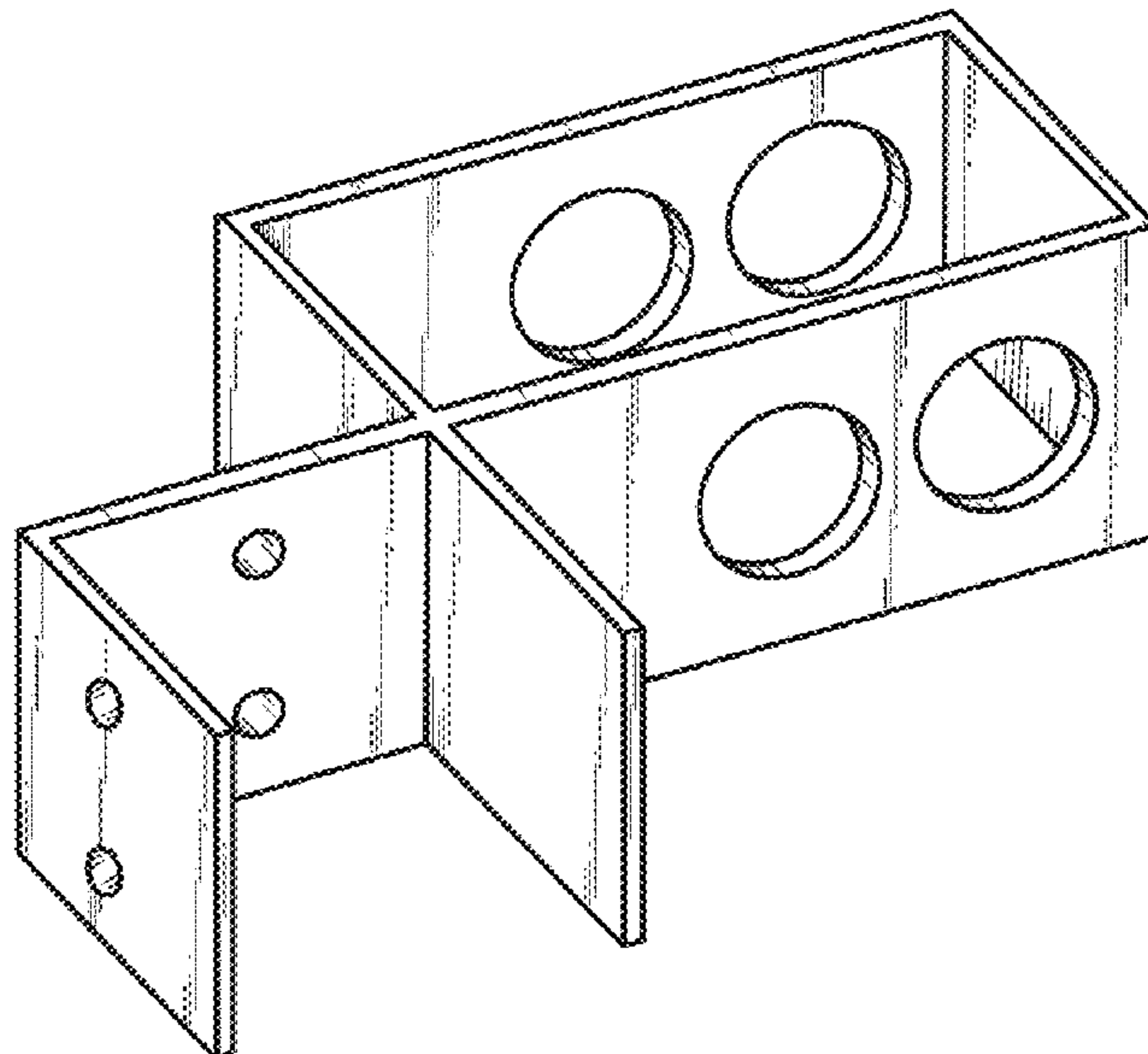
(57) **CLAIM**

The ornamental design for a foundation bolt suspension device, as shown and described.

DESCRIPTION

FIG. 1 is a perspective view of a foundation bolt suspension device showing my new design;
FIG. 2 is a bottom plan view of FIG. 1;
FIG. 3 is a top plan view of FIG. 1;
FIG. 4 is a front elevational view of FIG. 1;
FIG. 5 is a rear elevational view of FIG. 1; and,
FIG. 6 is a right-side elevational view of FIG. 1, the left-side elevational view being a mirror image thereof.

1 Claim, 2 Drawing Sheets



(56)

References Cited

U.S. PATENT DOCUMENTS

D839,083	S	*	1/2019	Silva	D8/354
D869,936	S	*	12/2019	Smith	D8/349
D906,788	S	*	1/2021	Ochi	D8/354
D938,815	S	*	12/2021	Foral	D8/395
2003/0101670	A1	*	6/2003	Gustin	E04G 21/185 52/293.1
2007/0236023	A1	*	10/2007	Beery	E04G 21/185 292/341.14
2008/0053012	A1	*	3/2008	Scanlan	E04G 21/1841 52/204.2
2011/0078975	A1	*	4/2011	Spruiell	E04B 1/2608 52/742.15

* cited by examiner

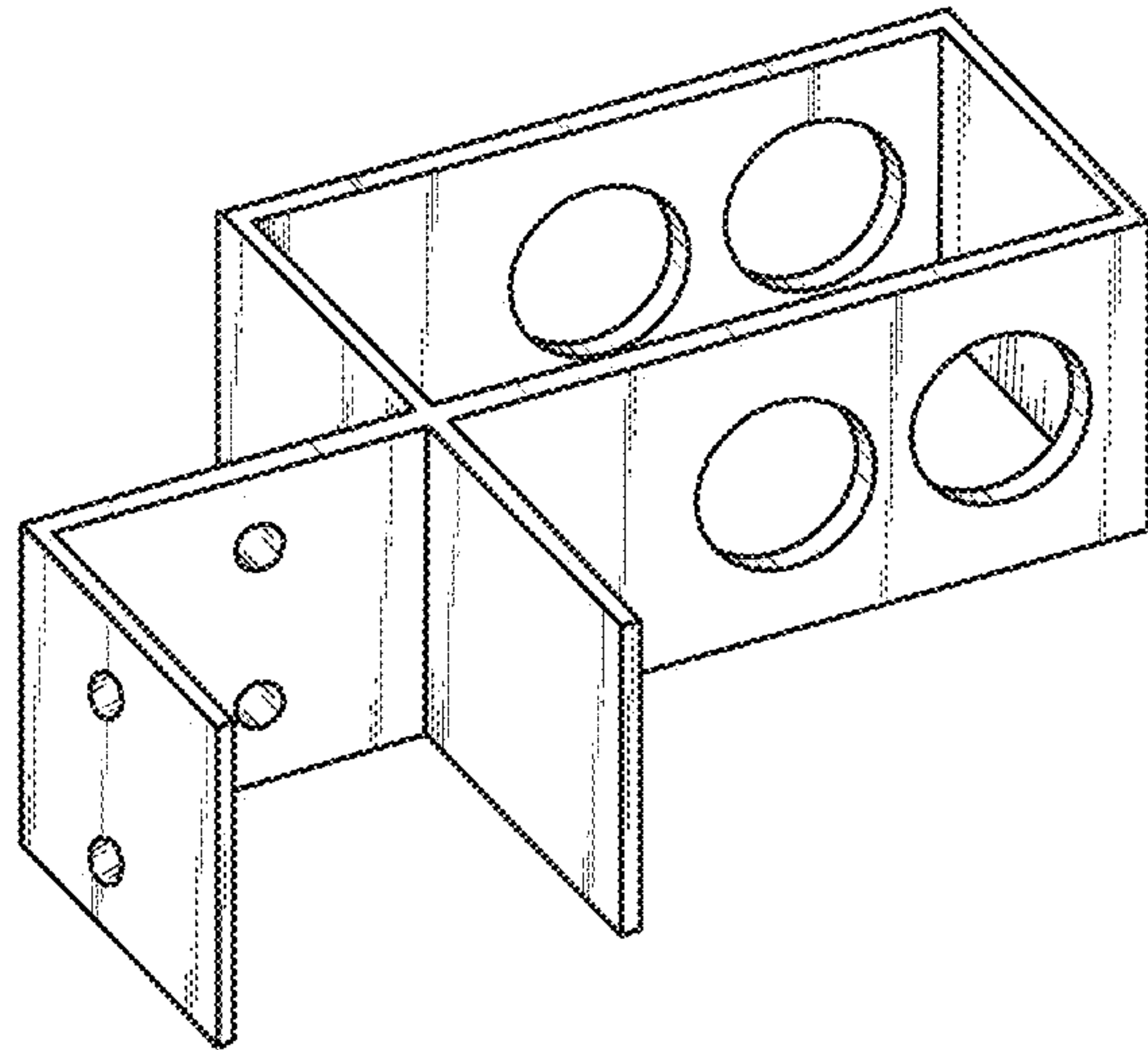


FIG. 1

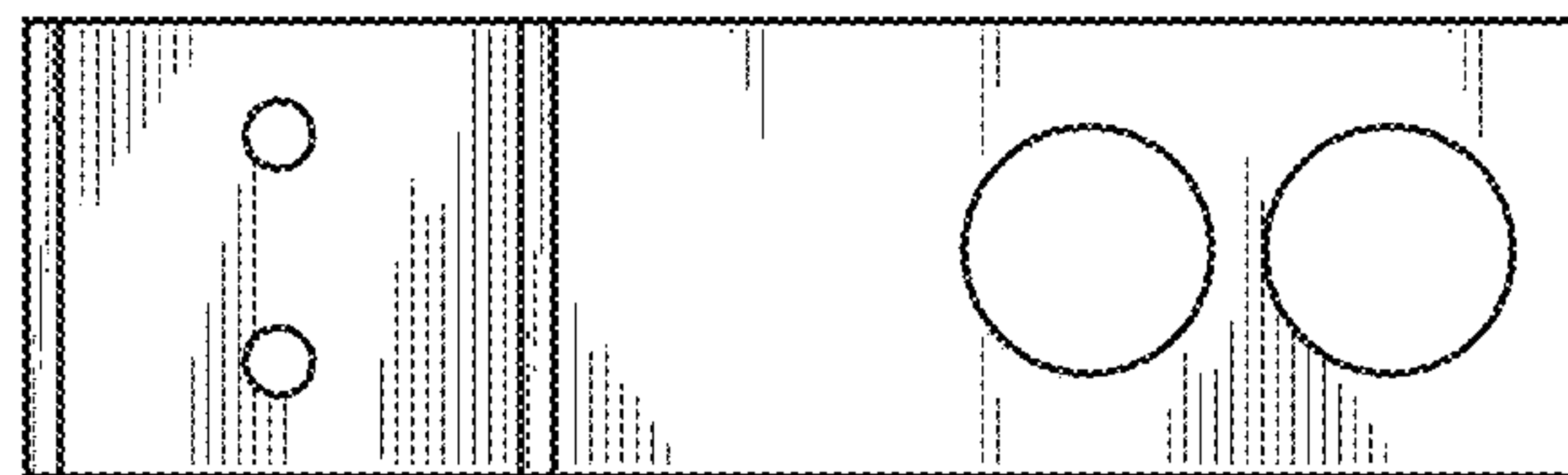


FIG. 2

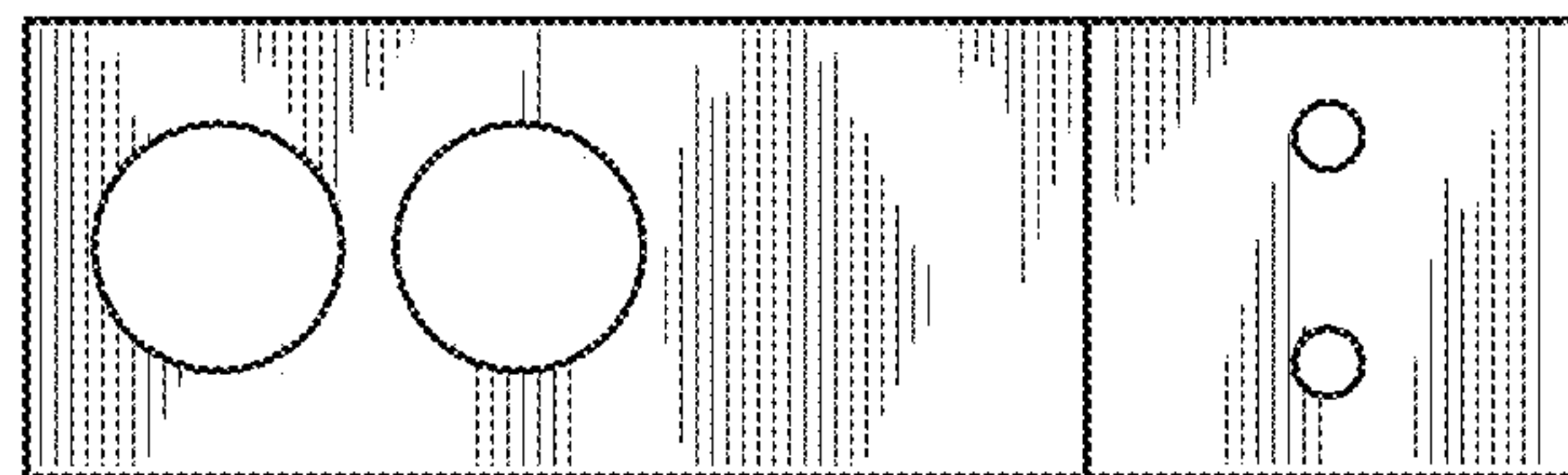


FIG. 3

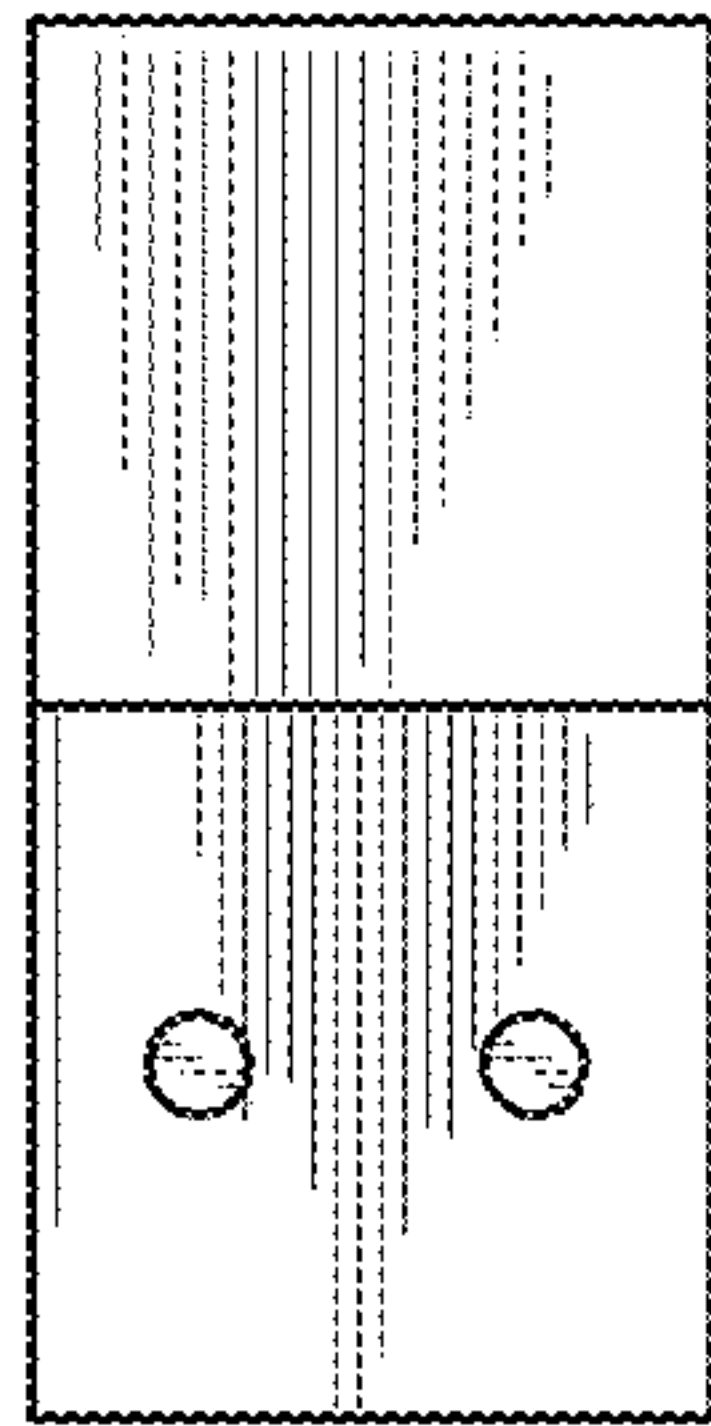


FIG. 4

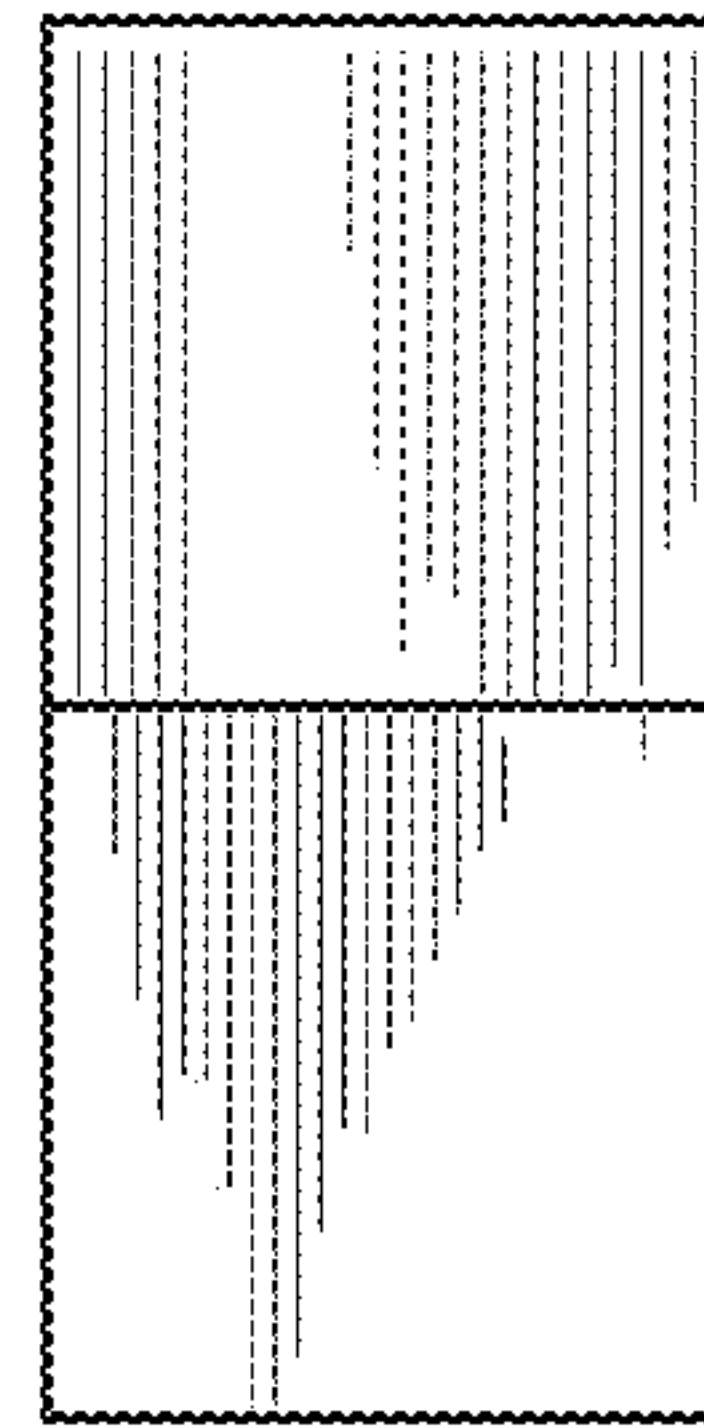


FIG. 5

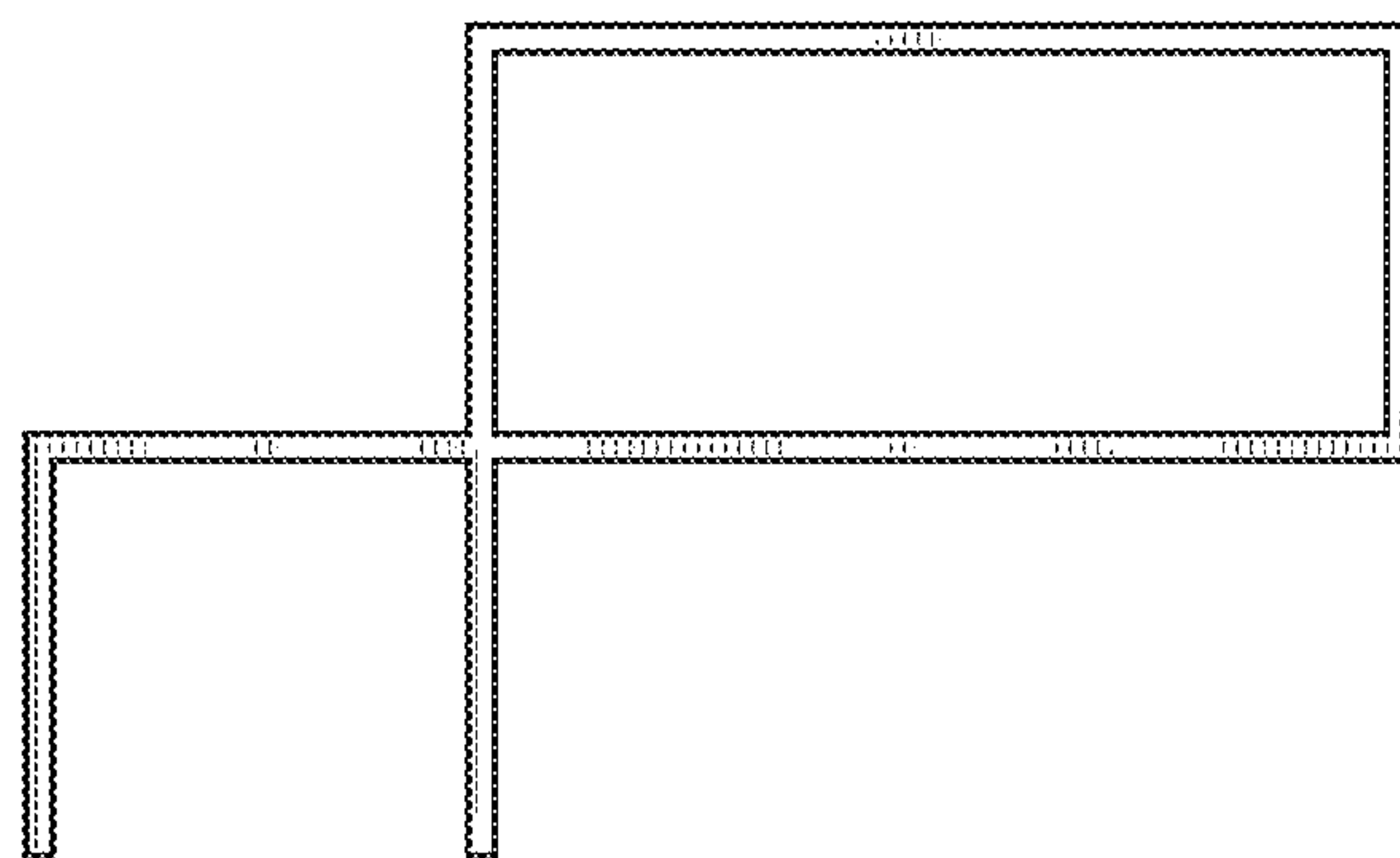


FIG. 6