



US00D950357S

(12) **United States Design Patent** (10) **Patent No.:** **US D950,357 S**
Zumbrum et al. (45) **Date of Patent:** **** May 3, 2022**

(54) **SUPPORT DEVICE**

FOREIGN PATENT DOCUMENTS

(71) Applicant: **Sartorius Stedim North America, Inc.**,
Bohemia, NY (US)

WO 2014116997 7/2014

(72) Inventors: **Michael A. Zumbrum**, New Oxford,
PA (US); **William Kimmick**, Bohemia,
NY (US); **Kevin Perdue**, Bohemia, NY
(US)

OTHER PUBLICATIONS

International Search Report and Written Opinion for PCT/US2020/
043032, dated Oct. 19, 2020, 6 pgs.

(Continued)

(73) Assignee: **Sartorius Stedim North America, Inc.**,
Bohemia, NY (US)

Primary Examiner — Mark A Goodwin

(74) *Attorney, Agent, or Firm* — Womble Bond Dickinson
(US) LLP

(**) Term: **15 Years**

(21) Appl. No.: **29/755,029**

(57) **CLAIM**

(22) Filed: **Oct. 16, 2020**

The ornamental design for a support device, as shown and
described.

Related U.S. Application Data

(63) Continuation of application No. 16/519,342, filed on
Jul. 23, 2019, and a continuation of application No.
16/519,344, filed on Jul. 23, 2019, now Pat. No.
11,097,235.

DESCRIPTION

(51) **LOC (13) Cl.** **08-08**

(52) **U.S. Cl.**
USPC **D8/349**

(58) **Field of Classification Search**
USPC D8/349, 354; D24/232
CPC B01L 9/00; B01L 9/06
See application file for complete search history.

FIG. 1 is a top perspective view of the support device,
showing our new design;
FIG. 2 is a bottom perspective view of the support device of
FIG. 1;
FIG. 3 is a front view of the support device of FIG. 1;
FIG. 4 is a rear view of the support device of FIG. 1;
FIG. 5 is a left side view of the support device of FIG. 1;
FIG. 6 is a right side view of the support device of FIG. 1;
FIG. 7 is a top view of the support device of FIG. 1;
FIG. 8 is a bottom view of the support device of FIG. 1; and,
FIG. 9 is a perspective view of the support device of FIG. 1
in an environment of use.

The short dash-short dash broken lines depict portions of the
article that form no part of the claimed design. The dash-dot
broken lines show unclaimed boundaries of the claimed
design. The long dash-short dash broken lines in FIGS. 1, 2,
and 8 illustrate a representative lattice structure that fills the
cavity but does not represent any particular lattice structure.

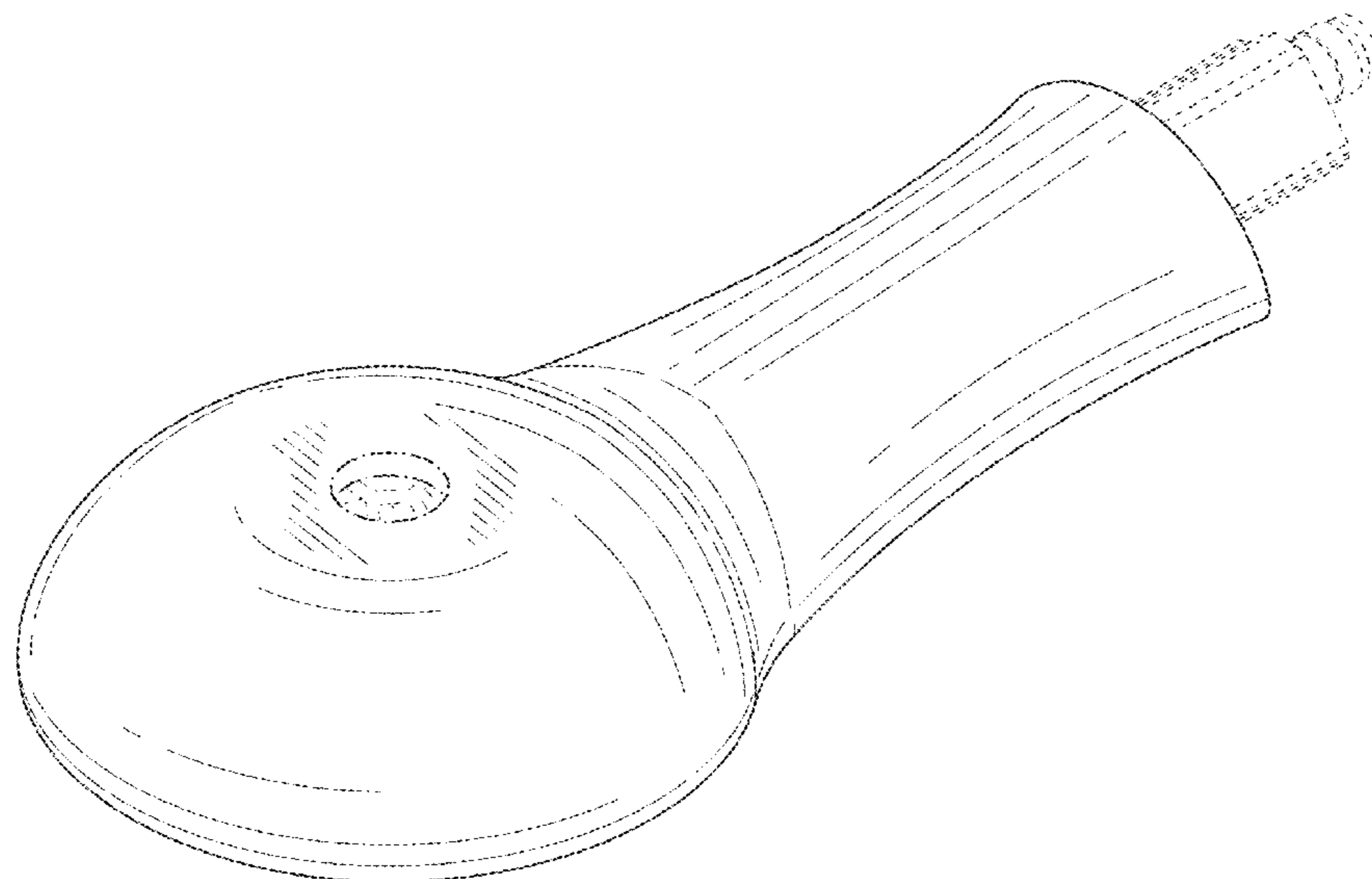
(56) **References Cited**

U.S. PATENT DOCUMENTS

303,833 A	8/1884	Gerard
558,433 A	4/1896	Stoddard
793,463 A	1/1905	McDonald
1,805,623 A	5/1931	Hammer
2,926,879 A	3/1960	Dietrich
3,229,949 A	1/1966	Chaconas

(Continued)

1 Claim, 6 Drawing Sheets



(56)

References Cited

U.S. PATENT DOCUMENTS

3,341,211 A 9/1967 Houghton
 3,445,024 A 5/1969 Whitney
 3,980,134 A 9/1976 Amancharia
 4,759,523 A * 7/1988 Yakulis, Jr B01L 9/00
 211/71.01
 4,971,276 A 11/1990 Tannenbaum
 5,154,380 A * 10/1992 Risca A47G 23/0216
 248/154
 5,165,703 A 11/1992 Morvant
 5,309,670 A 5/1994 Bates
 5,615,896 A 4/1997 Morvant
 6,045,017 A 4/2000 Connell
 6,102,352 A 8/2000 Kvalvog
 6,863,278 B2 3/2005 Morvant
 7,216,837 B2 * 5/2007 Pineda A47G 7/025
 248/104
 7,628,433 B2 12/2009 Schwartz
 7,726,621 B1 * 6/2010 Dellinger B44D 3/14
 248/346.5
 D649,865 S * 12/2011 English D8/363
 8,087,528 B1 1/2012 Scarlett
 8,721,993 B2 * 5/2014 Lockwood B01L 9/50
 422/561

8,876,367 B1 * 11/2014 Howe B01F 11/0008
 366/210
 D742,527 S * 11/2015 Gerber D24/185
 9,408,488 B2 * 8/2016 Bizzarri A47G 23/03
 D772,020 S 11/2016 Gunal
 D824,027 S * 7/2018 Flores D24/140
 D861,995 S * 10/2019 Lentz D30/121
 D880,278 S * 4/2020 Jaramillo D8/354
 10,940,086 B2 * 3/2021 Gitman A61M 5/3137
 D923,457 S * 6/2021 Nijdam D8/349
 11,097,235 B2 * 8/2021 Zumbrum B01F 15/00746
 D931,709 S * 9/2021 Weinstein D8/354
 2004/0021048 A1 2/2004 Schaal
 2017/0342797 A1 11/2017 Murphree et al.
 2018/0071979 A1 3/2018 Achten et al.
 2019/0211700 A1 7/2019 Munson
 2019/0247278 A1 8/2019 Gitman
 2021/0024255 A1 1/2021 Zumbrum

OTHER PUBLICATIONS

International Search Report and Written Opinion for PCT/US2020/
 043030, dated Aug. 31, 2020, 10 pgs.
 U.S. Appl. No. 16/519,344, filed Jul. 23, 2019.
 U.S. Appl. No. 16/519,342, filed Jul. 23, 2019.

* cited by examiner

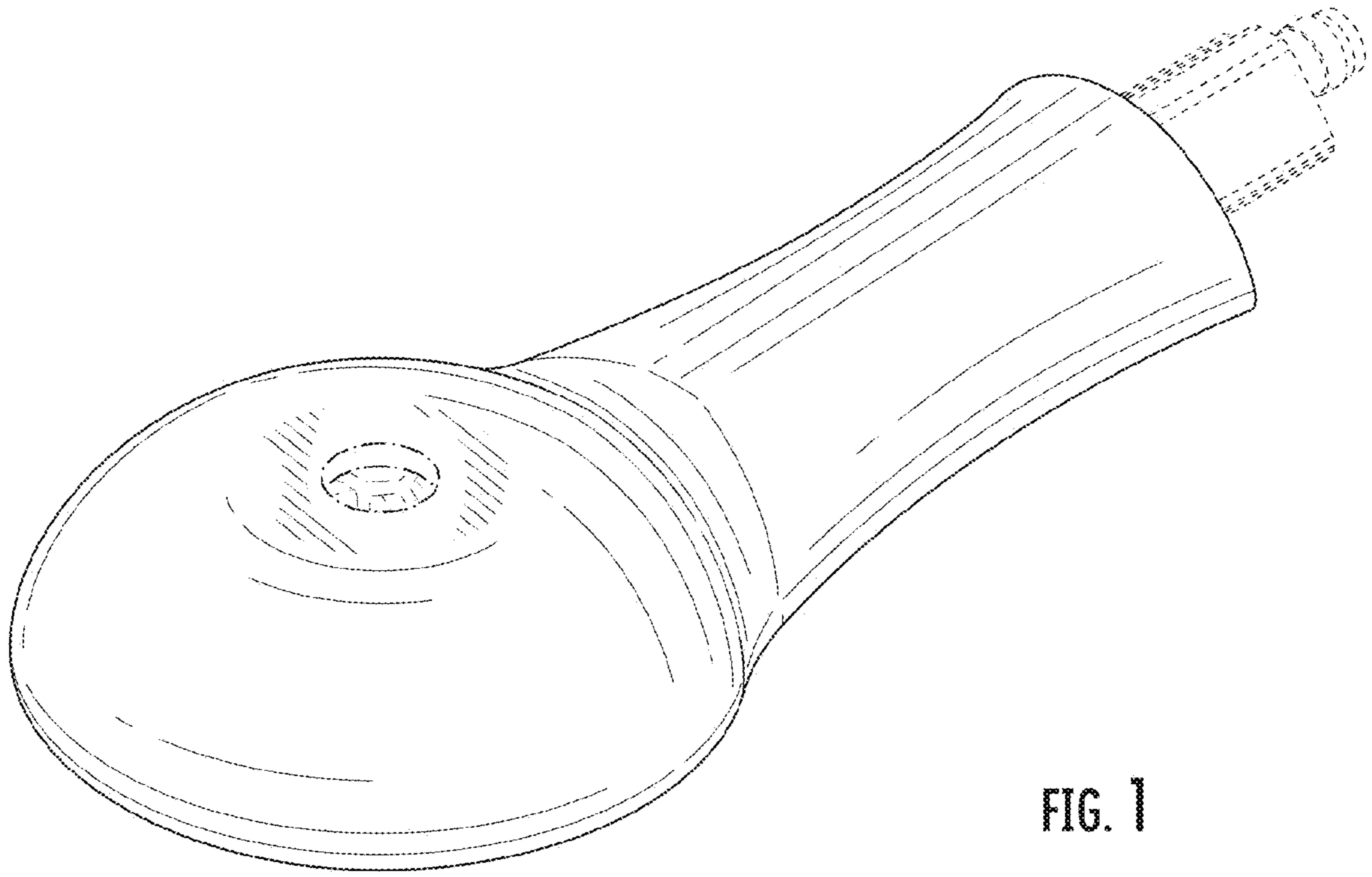


FIG. 1

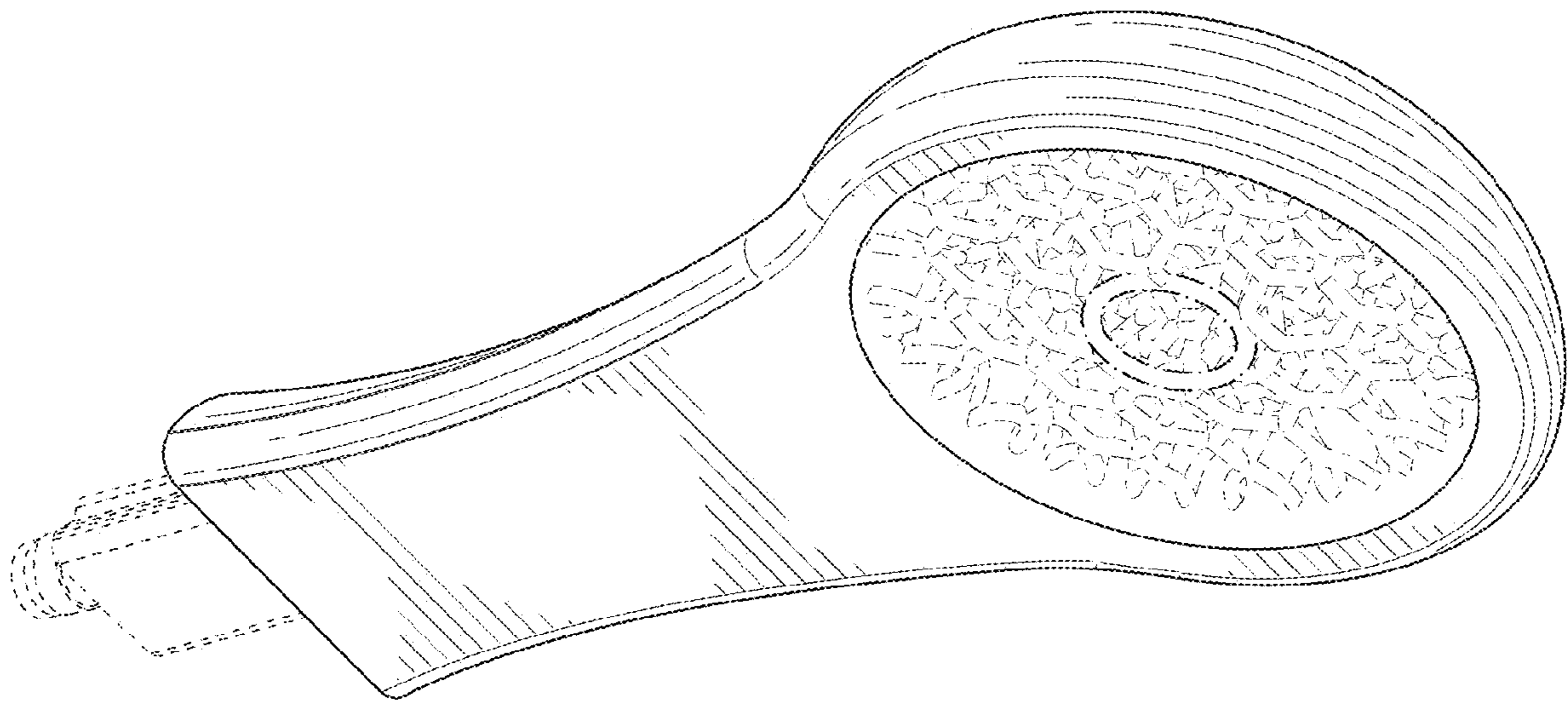


FIG. 2

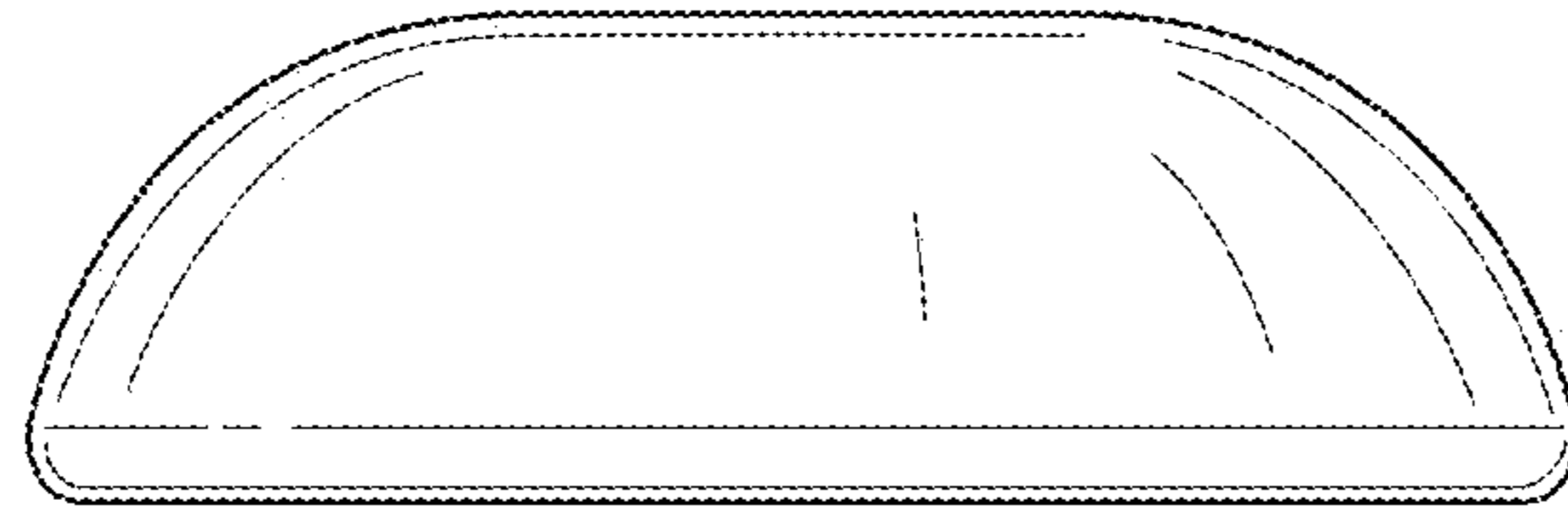


FIG. 3

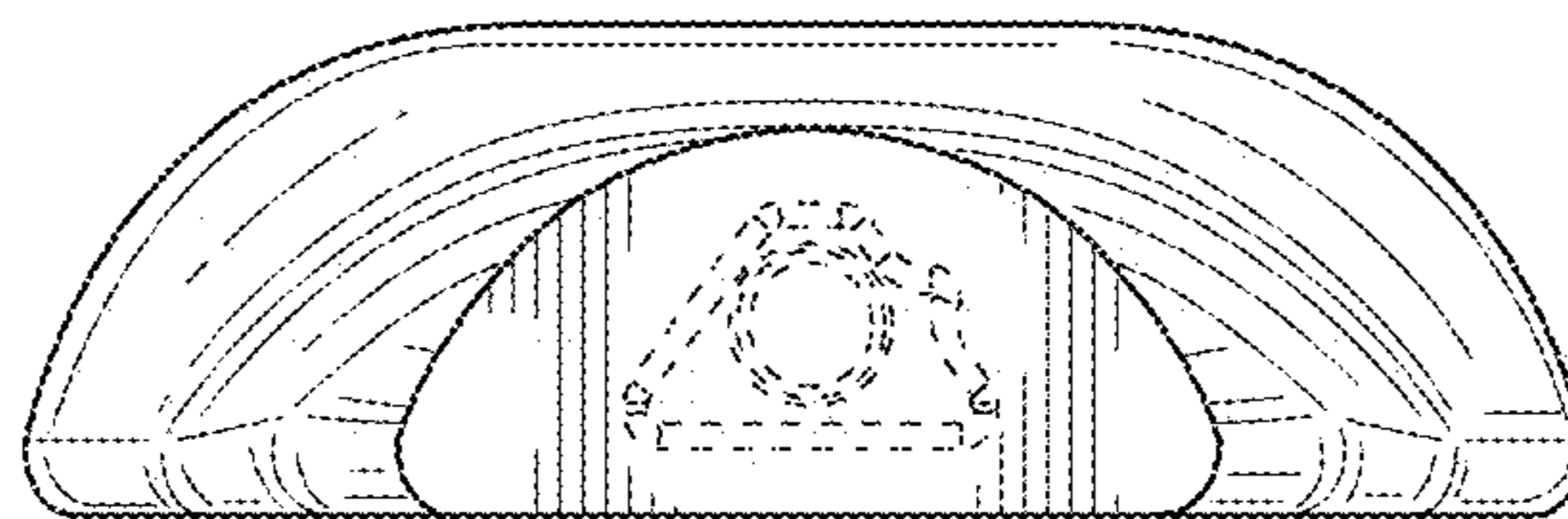


FIG. 4

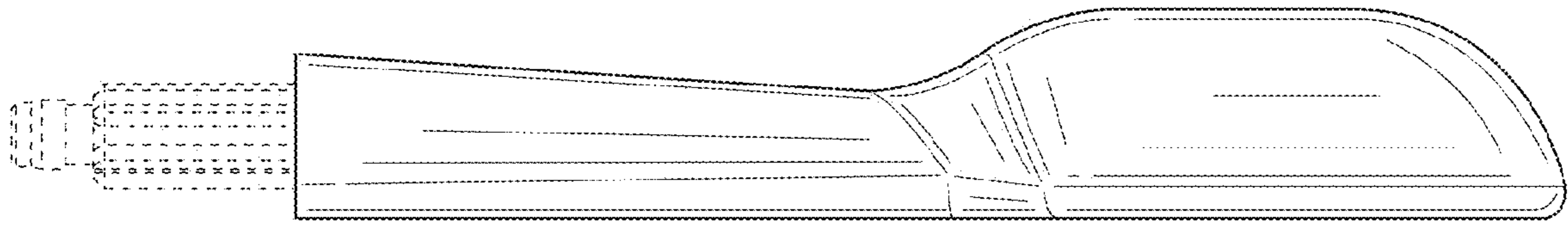


FIG. 5

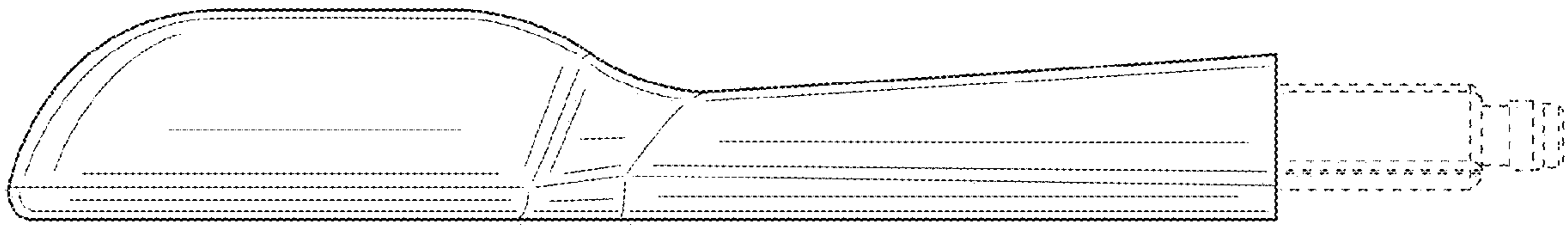


FIG. 6

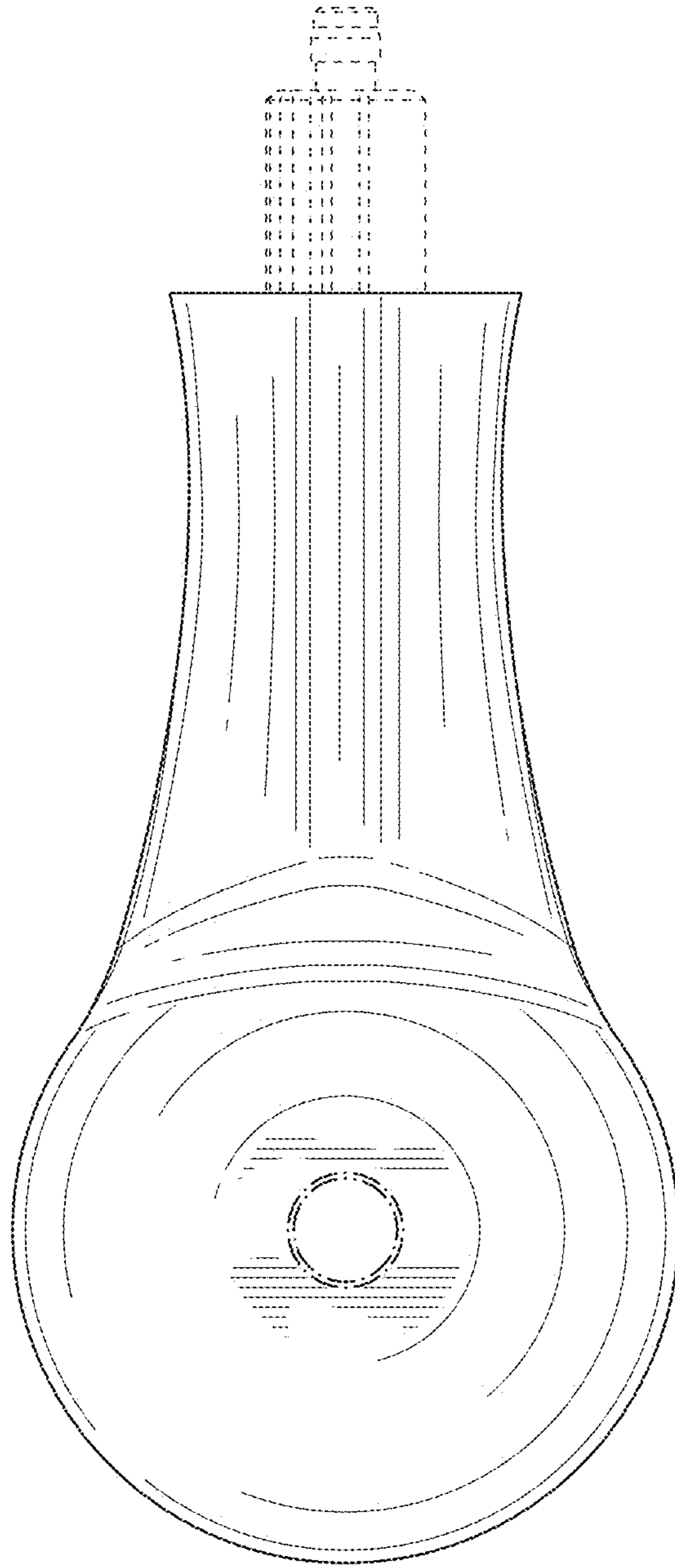


FIG. 7

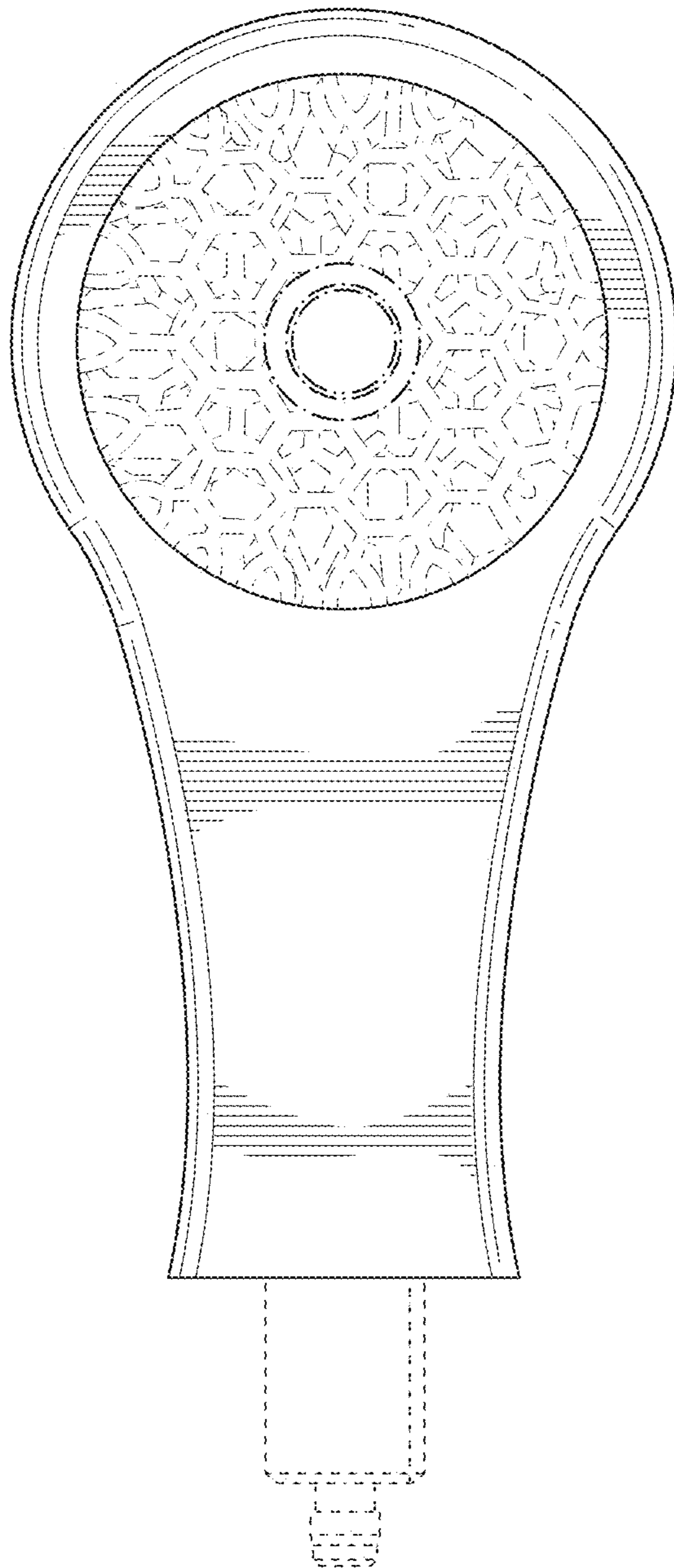


FIG. 8

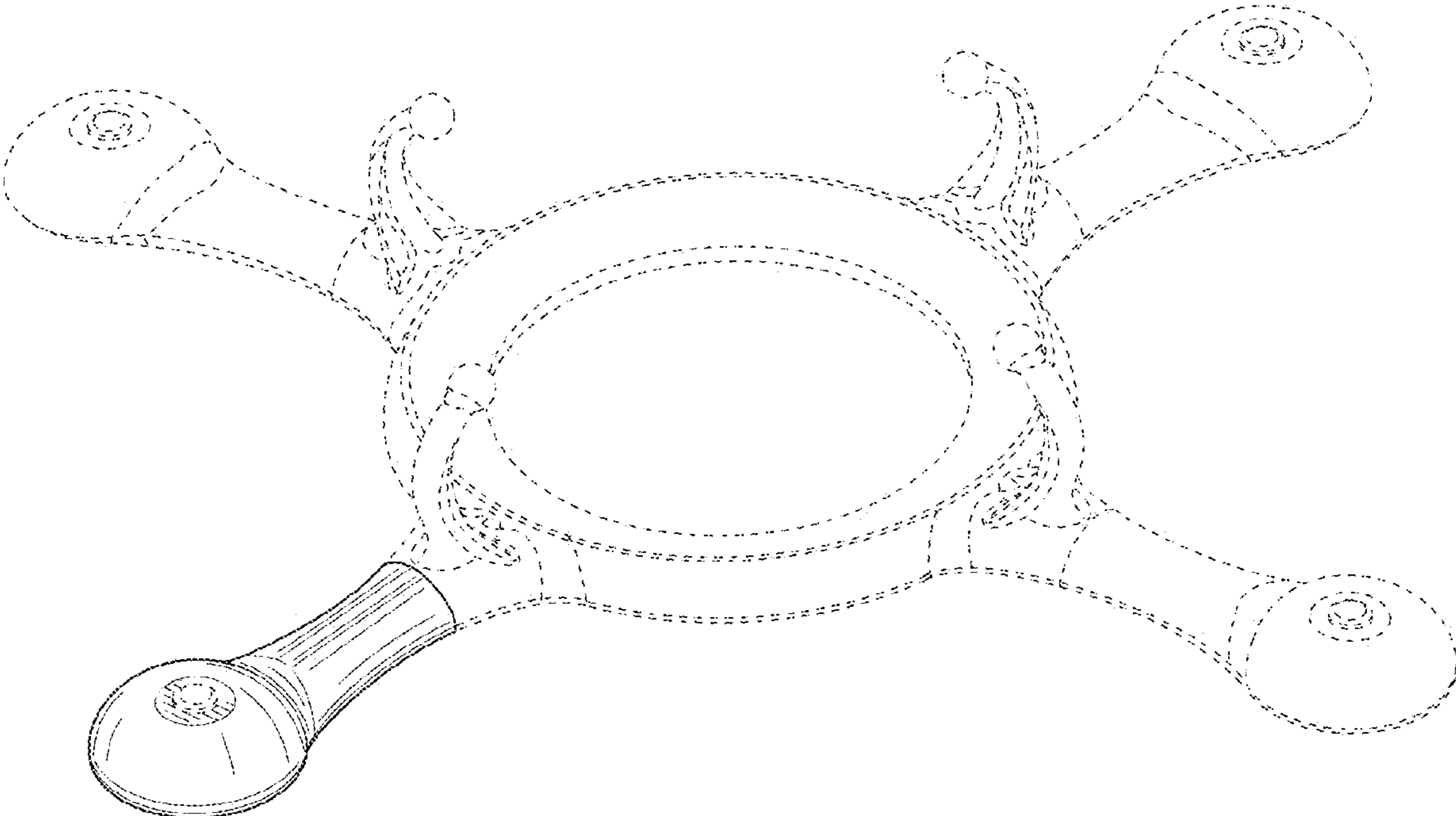


FIG. 9