



US00D950355S

(12) **United States Design Patent** (10) **Patent No.:** **US D950,355 S**  
**Jin** (45) **Date of Patent:** **\*\* May 3, 2022**

(54) **BABY KNOB COVER**  
(71) Applicant: **ZHEJIANG JIKE INDUSTRY & TRADE CO., LTD**, Yongkang (CN)

7,140,649 B1 \* 11/2006 Gregory ..... E05C 3/24  
292/48  
D589,780 S \* 4/2009 Fernandez ..... D8/330  
D596,922 S \* 7/2009 Falconer ..... D8/336  
(Continued)

(72) Inventor: **Zhong Jin**, Yongkang (CN)  
(73) Assignee: **ZHEJIANG JIKE INDUSTRY & TRADE CO., LTD**, Yongkang (CN)

**FOREIGN PATENT DOCUMENTS**

CN 305085381 \* 3/2019

(\*\*) Term: **15 Years**

**OTHER PUBLICATIONS**

(21) Appl. No.: **29/695,502**

Outsmart Lever Handle Lock, Date: May 17, 2017, [Site visited Jan. 19, 2021], available from internet URL: <https://www.youtube.com/watch?v=G2CCnRmtbN8> (Year: 2017).\*

(22) Filed: **Jun. 19, 2019**

(Continued)

(51) **LOC (13) Cl.** ..... **08-06**

*Primary Examiner* — Susan Bennett Hattan

(52) **U.S. Cl.**

*Assistant Examiner* — Elizabeth S Ko

USPC ..... **D8/322**

(74) *Attorney, Agent, or Firm* — Yong Chen

(58) **Field of Classification Search**

USPC ..... D8/331, 330, 336, 348, 402, 321, 499,  
D8/343, 346; D24/183, 184, 176, 177

(57) **CLAIM**

The ornamental design for a baby knob cover, as shown and described.

See application file for complete search history.

**DESCRIPTION**

(56) **References Cited**

**U.S. PATENT DOCUMENTS**

- 1,567,866 A \* 12/1925 Schrader ..... E05C 3/145  
292/241
- 1,567,867 A \* 12/1925 Schrader ..... E05C 3/145  
292/241
- 4,062,578 A \* 12/1977 Chen ..... E05C 17/166  
292/262
- 4,631,937 A \* 12/1986 Debus ..... E05B 13/002  
70/207
- 4,781,042 A \* 11/1988 Stephens ..... E05B 13/002  
292/288
- D312,201 S \* 11/1990 Gates ..... D8/336
- D411,433 S \* 6/1999 Swan ..... D8/306
- 5,927,775 A \* 7/1999 Trammell, Jr. .... E05B 77/26  
292/336.3
- D444,372 S \* 7/2001 Segawa ..... D8/306

FIG. 1 is a front view of a baby knob cover of the present invention.

FIG. 2 is a rear view thereof.

FIG. 3 is a left view thereof.

FIG. 4 is a right view thereof.

FIG. 5 is a bottom view thereof.

FIG. 6 is a top view thereof.

FIG. 7 is a first perspective view thereof.

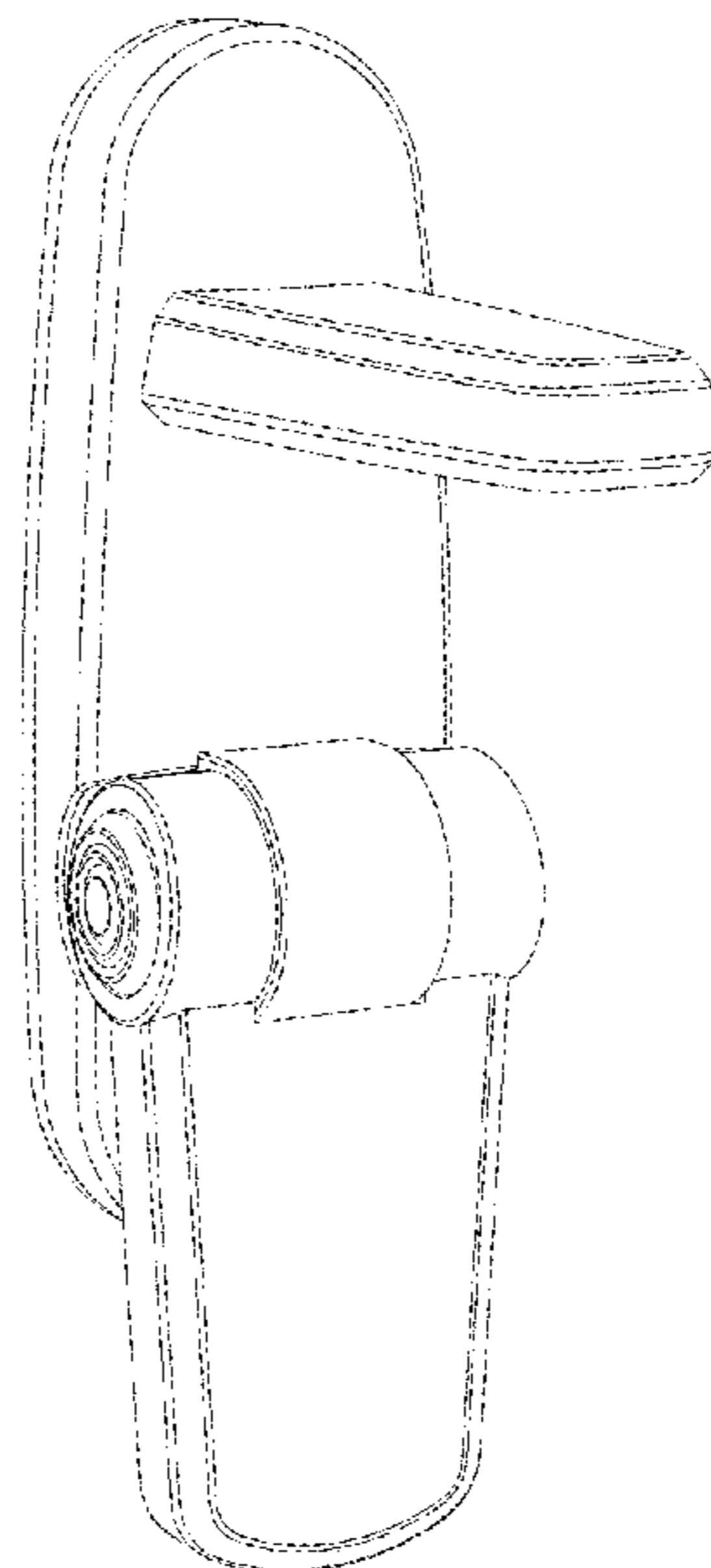
FIG. 8 is a second perspective view thereof.

FIG. 9 is a third perspective view thereof; and,

FIG. 10 is a fourth perspective view thereof.

The broken lines shown are included for the purpose of illustrating portions of the baby knob cover that forms no part of the claimed design.

**1 Claim, 10 Drawing Sheets**



(56)

**References Cited**

U.S. PATENT DOCUMENTS

8,291,732 B2 \* 10/2012 Ramsauer ..... E05B 1/0092  
70/208  
9,309,702 B2 \* 4/2016 Hwang ..... E05C 17/166  
D796,691 S \* 9/2017 Marsden ..... D25/48.5  
D796,692 S \* 9/2017 Marsden ..... D25/48.5  
2002/0019578 A1 \* 2/2002 Honma ..... A61G 11/00  
600/22  
2006/0270269 A1 \* 11/2006 Quintanilla ..... H01R 13/506  
439/417  
2008/0267691 A1 \* 10/2008 Cheng ..... B42F 13/26  
402/38  
2009/0013604 A1 \* 1/2009 Yates ..... E06B 9/04  
49/49  
2012/0011775 A1 \* 1/2012 Chen ..... E05B 65/0007  
49/358  
2013/0086840 A1 \* 4/2013 Marsden ..... E05B 41/00  
49/13  
2015/0218859 A1 \* 8/2015 Westwinkel ..... E05B 65/464  
70/78

2017/0058578 A1 \* 3/2017 Wolf ..... E05C 9/046  
2017/0058579 A1 \* 3/2017 Wolf ..... E05C 9/046  
2017/0058595 A1 \* 3/2017 Marsden ..... E05B 65/0007  
2018/0185608 A1 \* 7/2018 Bogin ..... A61M 16/024  
2018/0371796 A1 \* 12/2018 Talpe ..... E05B 47/0047  
2020/0270906 A1 \* 8/2020 Adams ..... E06B 9/04  
2020/0392762 A1 \* 12/2020 Wang ..... E05B 13/007

OTHER PUBLICATIONS

Chil Safety Door Locks for Kids, Date: Jan. 3, 2020, [Site visited Jan. 19, 2021], available from internet URL: [https://www.amazon.co.uk/Handle-Child-Safety-Durable-Adhesive/dp/B083FZY55N/ref=sr\\_1\\_177?dchild=1&keywords=baby+lever+lock&qid=1611079%E2%80%A6](https://www.amazon.co.uk/Handle-Child-Safety-Durable-Adhesive/dp/B083FZY55N/ref=sr_1_177?dchild=1&keywords=baby+lever+lock&qid=1611079%E2%80%A6) (Year: 2020).\*

Improved Childproof Door Lever Lock, Date Visited: Jul. 13, 2021, Amazon, Date Available: Feb. 16, 2019, <https://www.amazon.com/Improved-Childproof-Prevents-Toddlers-Operation/dp/B07KY69NLW> (Year: 2019).\*

\* cited by examiner

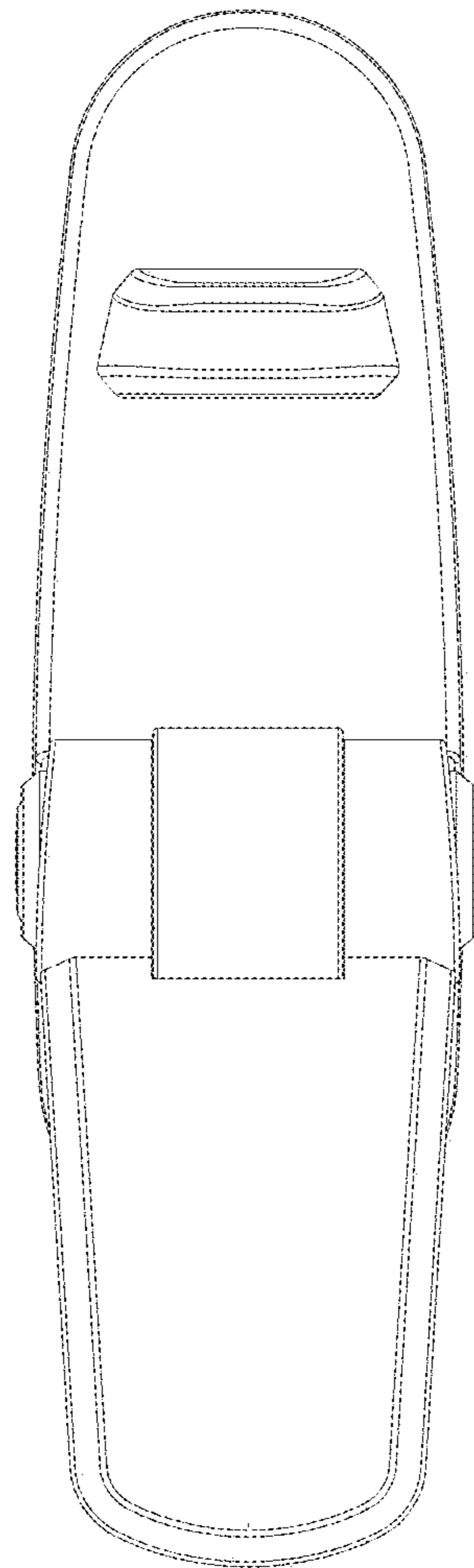


FIG. 1

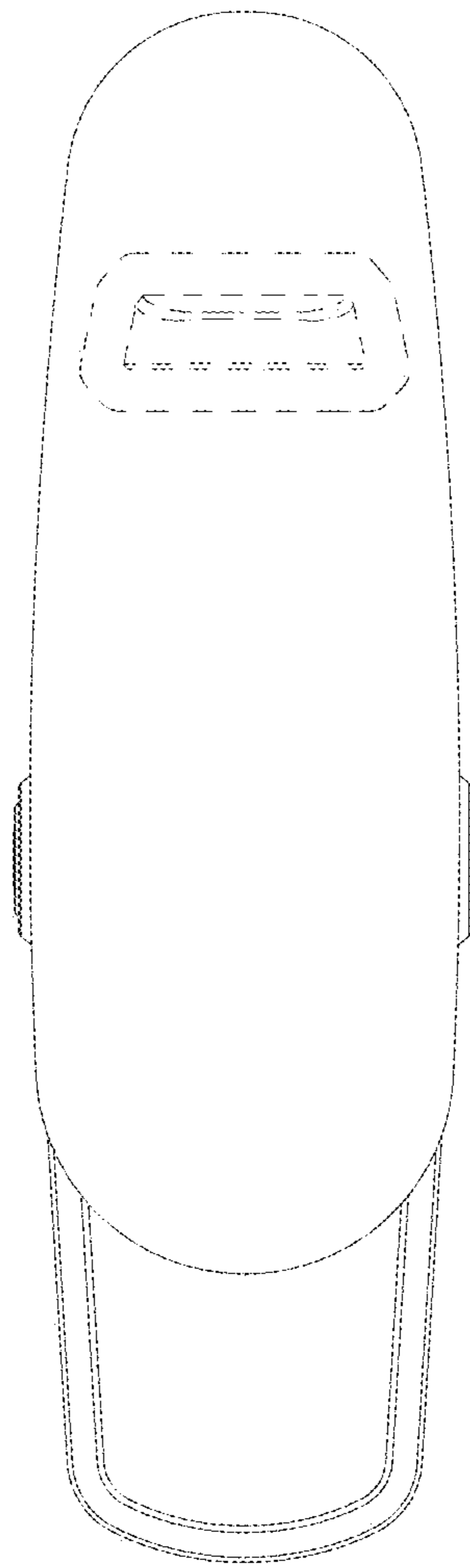


FIG. 2

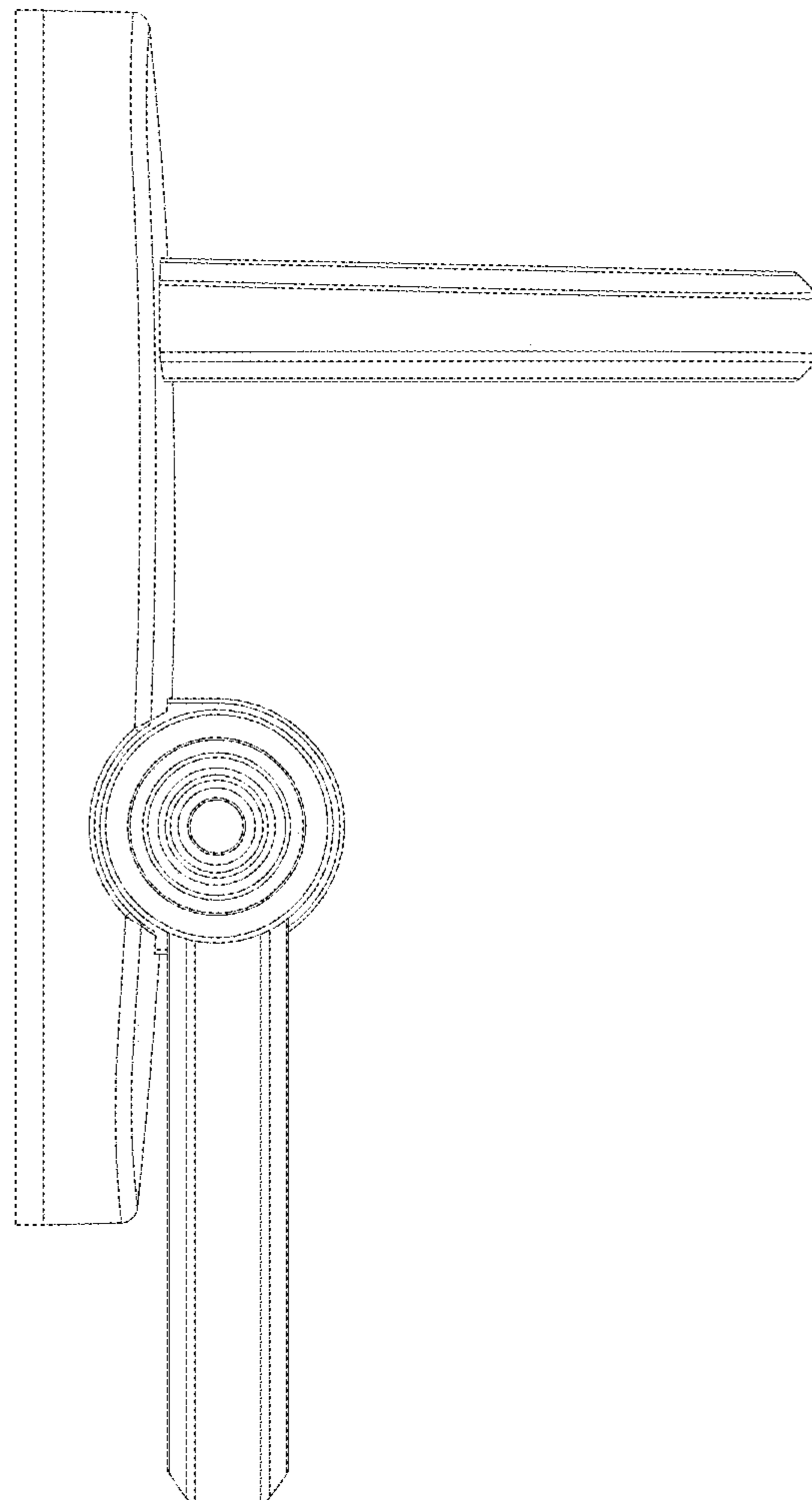


FIG. 3

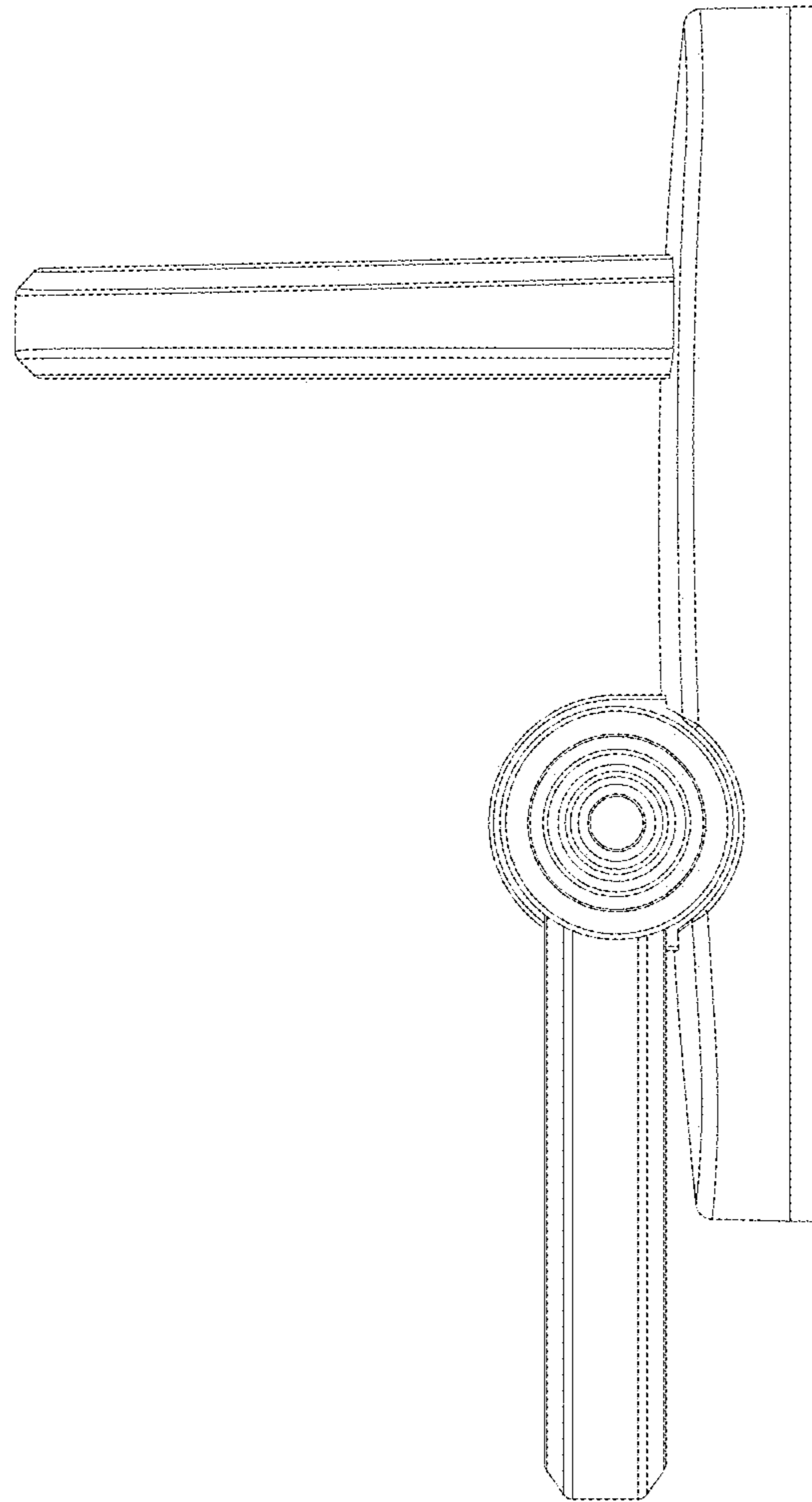


FIG. 4

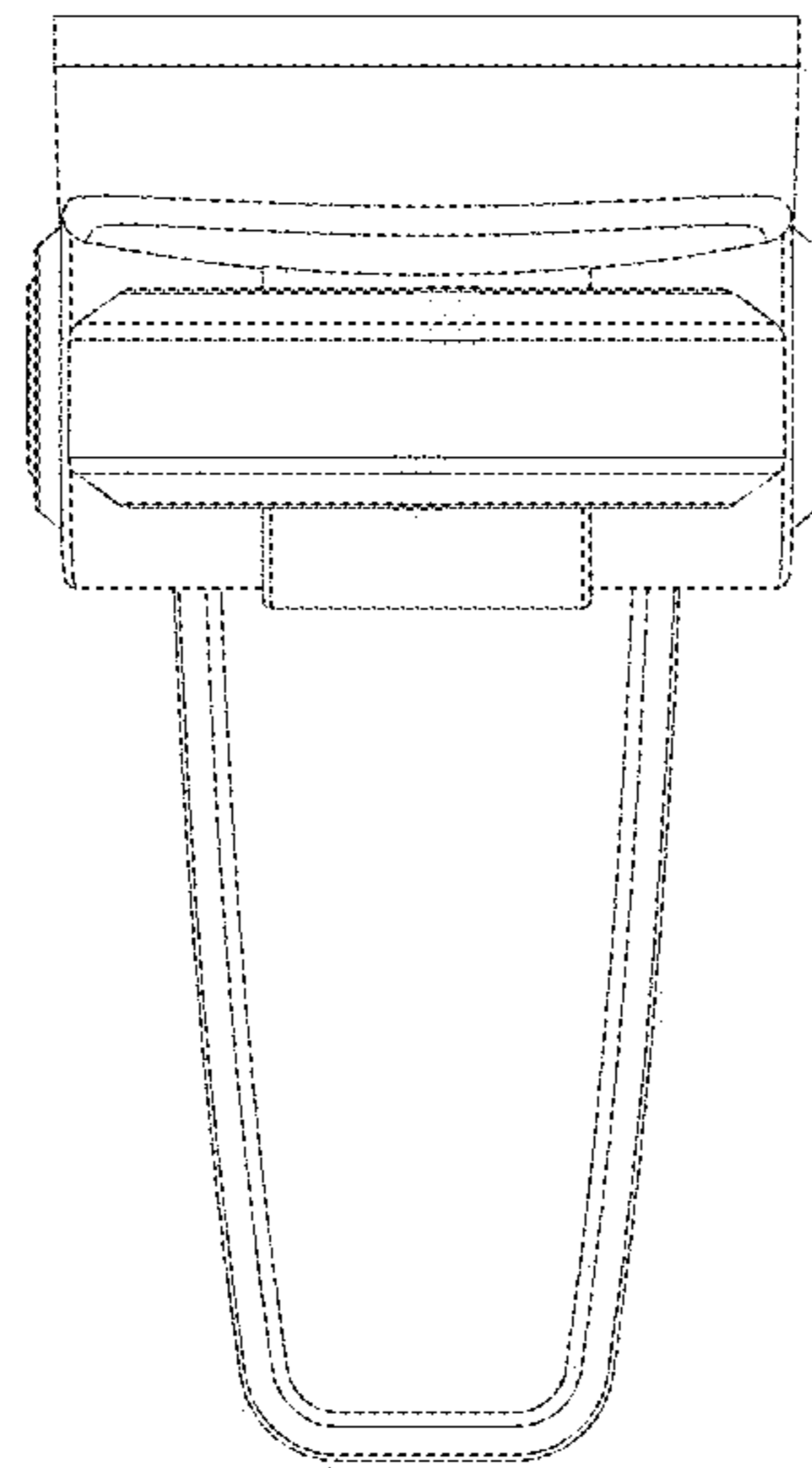


FIG. 5

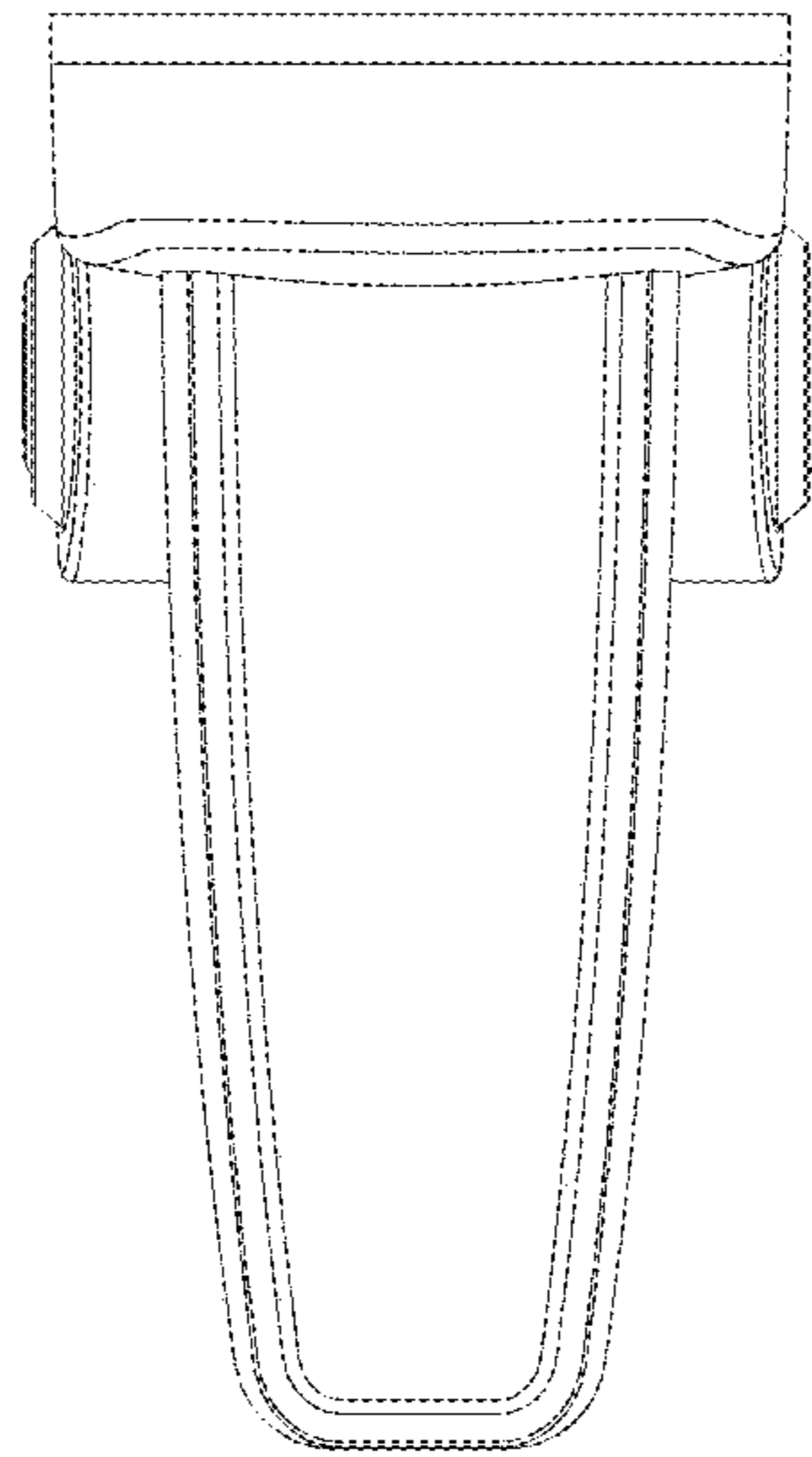


FIG. 6



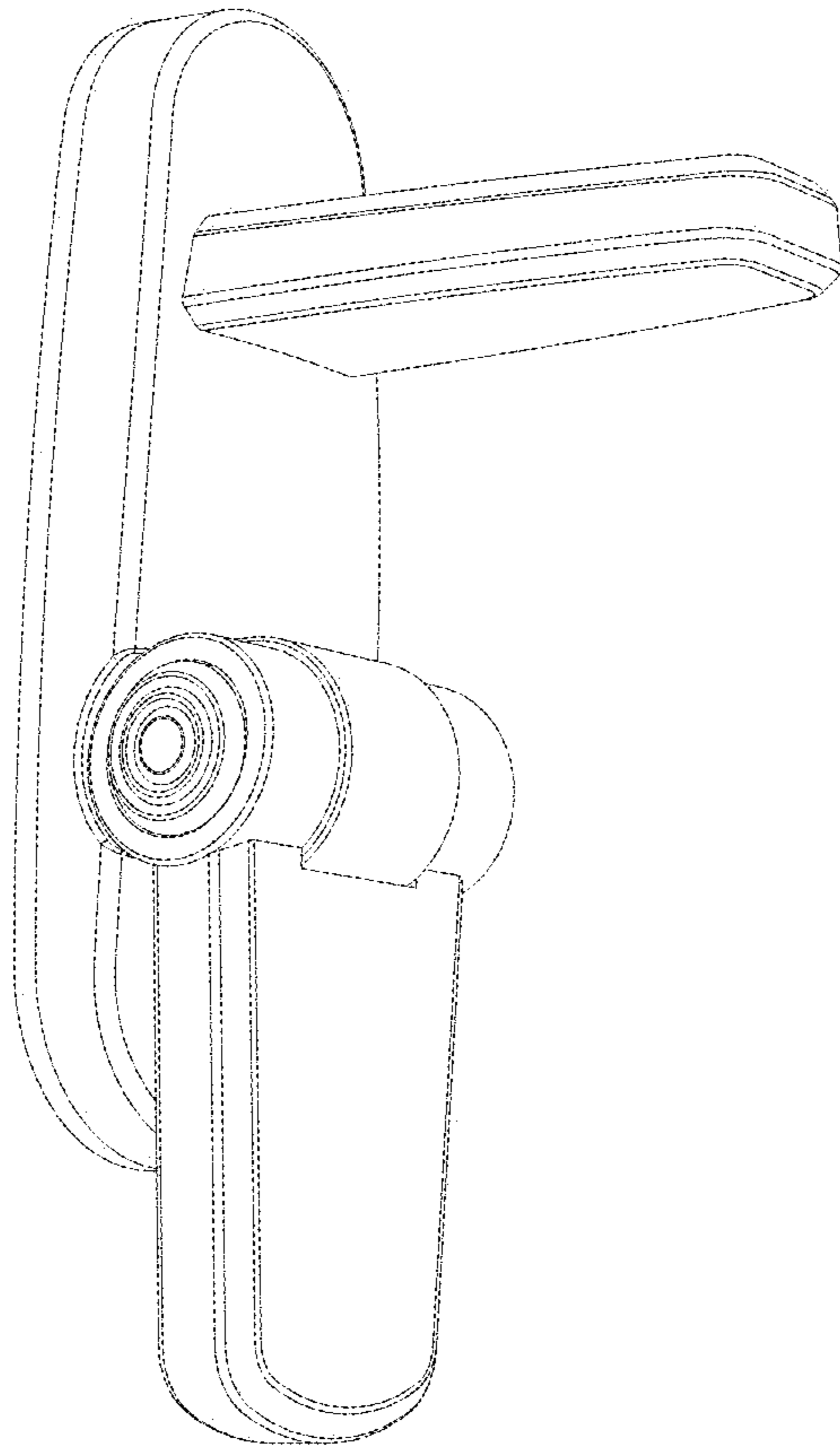


FIG. 7

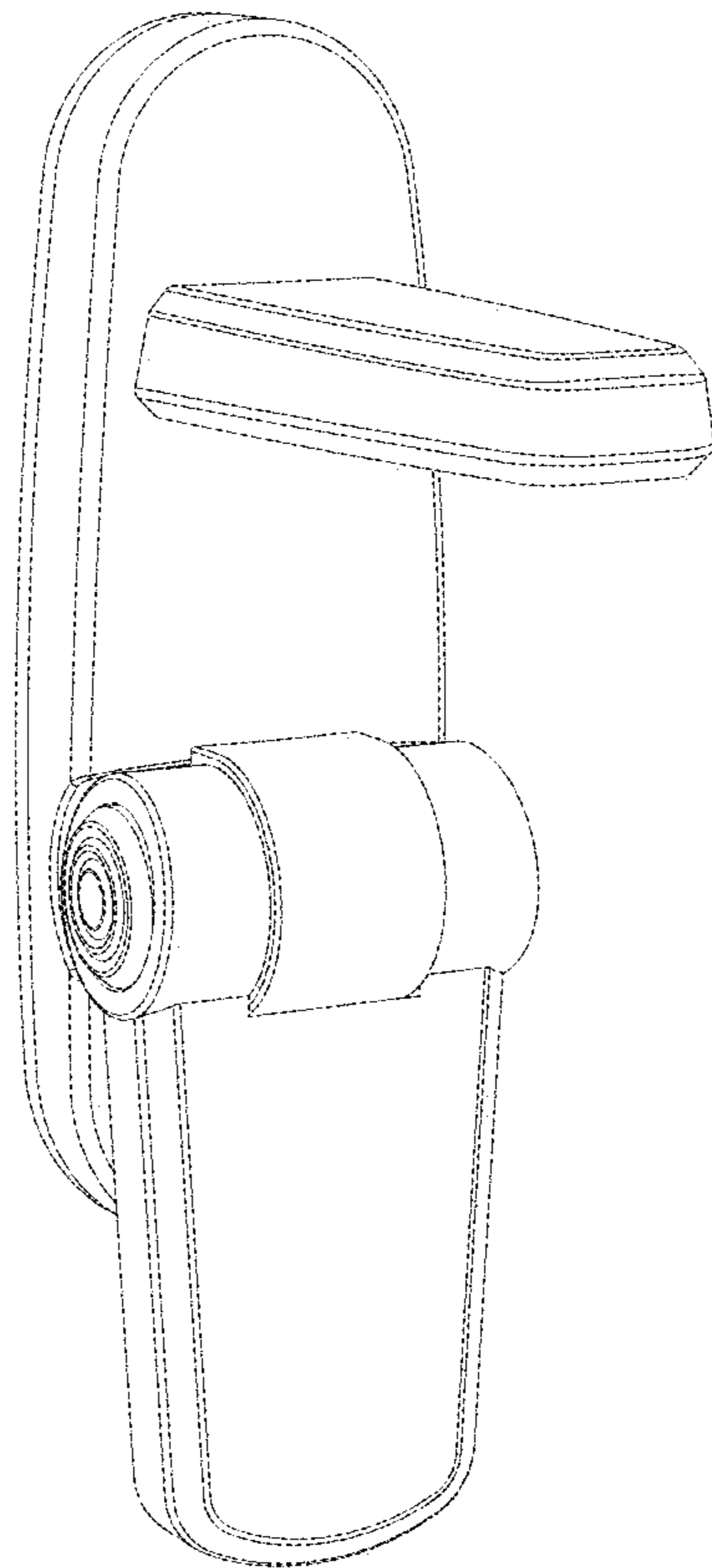


FIG. 8

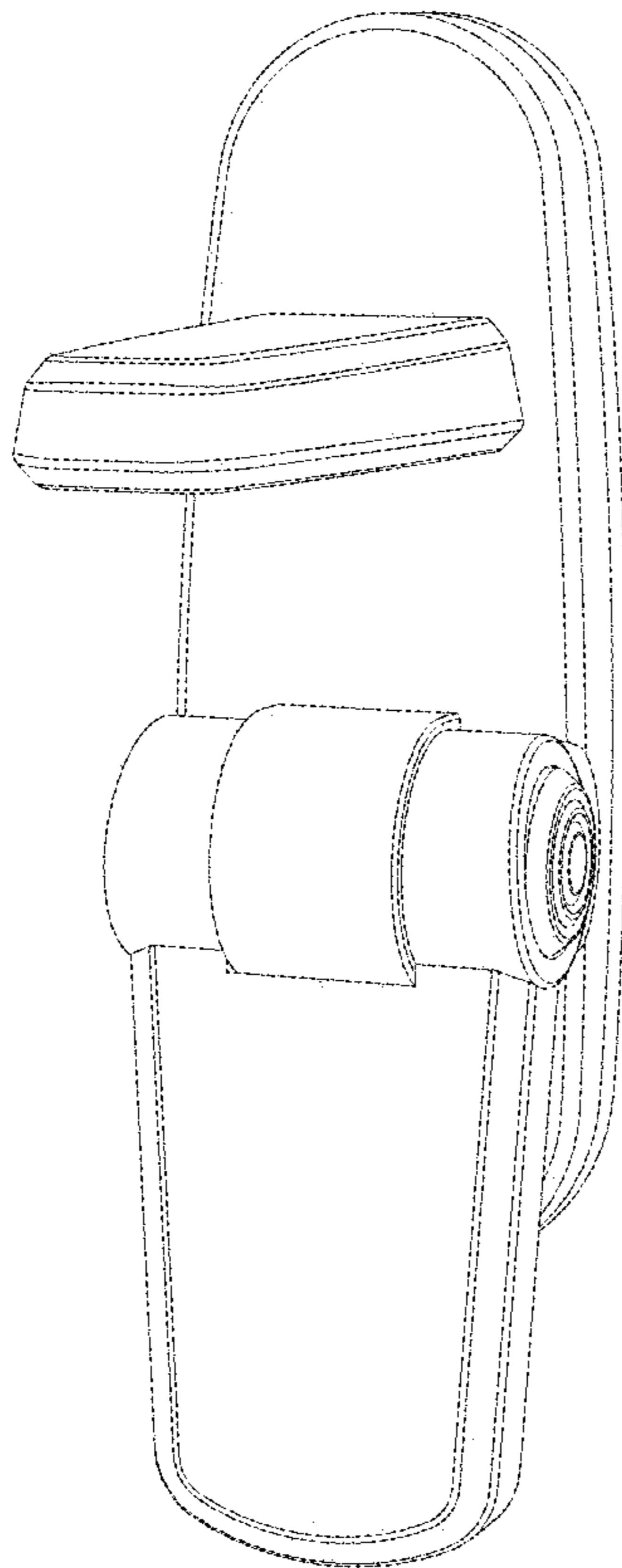


FIG. 9

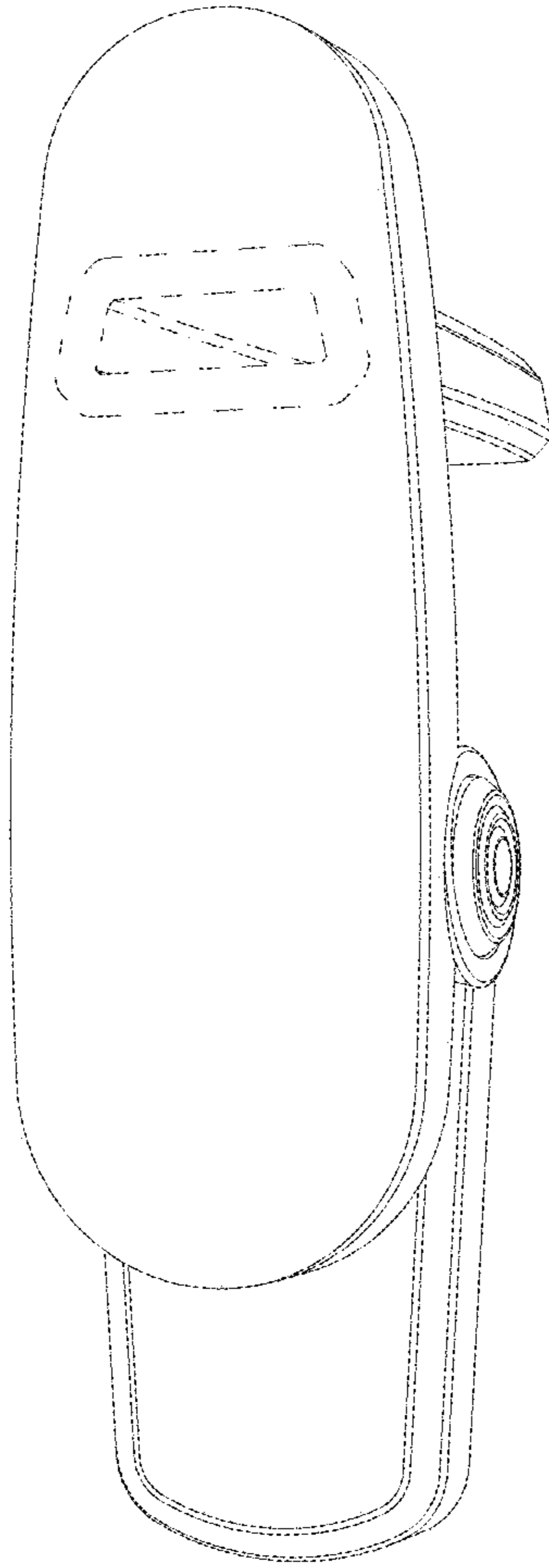


FIG. 10