



US00D950354S

(12) **United States Design Patent** (10) **Patent No.:** **US D950,354 S**  
**Cox** (45) **Date of Patent:** **\*\* May 3, 2022**

(54) **HANDLE**

(71) Applicant: **MF IP Holding, LLC**, West Jordan, UT (US)

(72) Inventor: **Christopher Paul Cox**, West Jordan, UT (US)

(73) Assignee: **MF IP HOLDING, LLC**, West Jordan, UT (US)

(\*\*) Term: **15 Years**

(21) Appl. No.: **29/691,370**

(22) Filed: **May 15, 2019**

(51) **LOC (13) Cl.** ..... **08-06**

(52) **U.S. Cl.**  
USPC ..... **D8/315**

(58) **Field of Classification Search**  
USPC ..... D8/315-317, 319, 320, 321; D12/223  
CPC ..... E05B 85/10; E05B 85/103; E05B 85/107;  
E05B 85/12; E05B 85/14; E05B 85/18  
See application file for complete search history.

(56) **References Cited**

**U.S. PATENT DOCUMENTS**

D511,956 S	*	11/2005	Elwell	.....	D8/305
D512,626 S	*	12/2005	Elwell	.....	D8/302
D513,694 S	*	1/2006	Vitkauskas	.....	D8/300
D521,923 S	*	5/2006	Ellis	.....	D12/223
D559,653 S	*	1/2008	Reichling	.....	D8/315
D569,704 S	*	5/2008	Ricereto	.....	D8/315
D570,646 S	*	6/2008	Jeon	.....	D7/402

(Continued)

**OTHER PUBLICATIONS**

JL\_ Hard Top Handle Kit—TeraFlex, Date Visited: May 20, 2021, Teraflex, Date Available: May 20, 2021, [https://teraflex.com/shop\\_items/5de6c10456d70ed493ad37d2](https://teraflex.com/shop_items/5de6c10456d70ed493ad37d2) (Year: 2021).\*

(Continued)

*Primary Examiner* — Brett Miller

*Assistant Examiner* — Elizabeth S Ko

(74) *Attorney, Agent, or Firm* — Christensen O'Connor Johnson Kindness PLLC

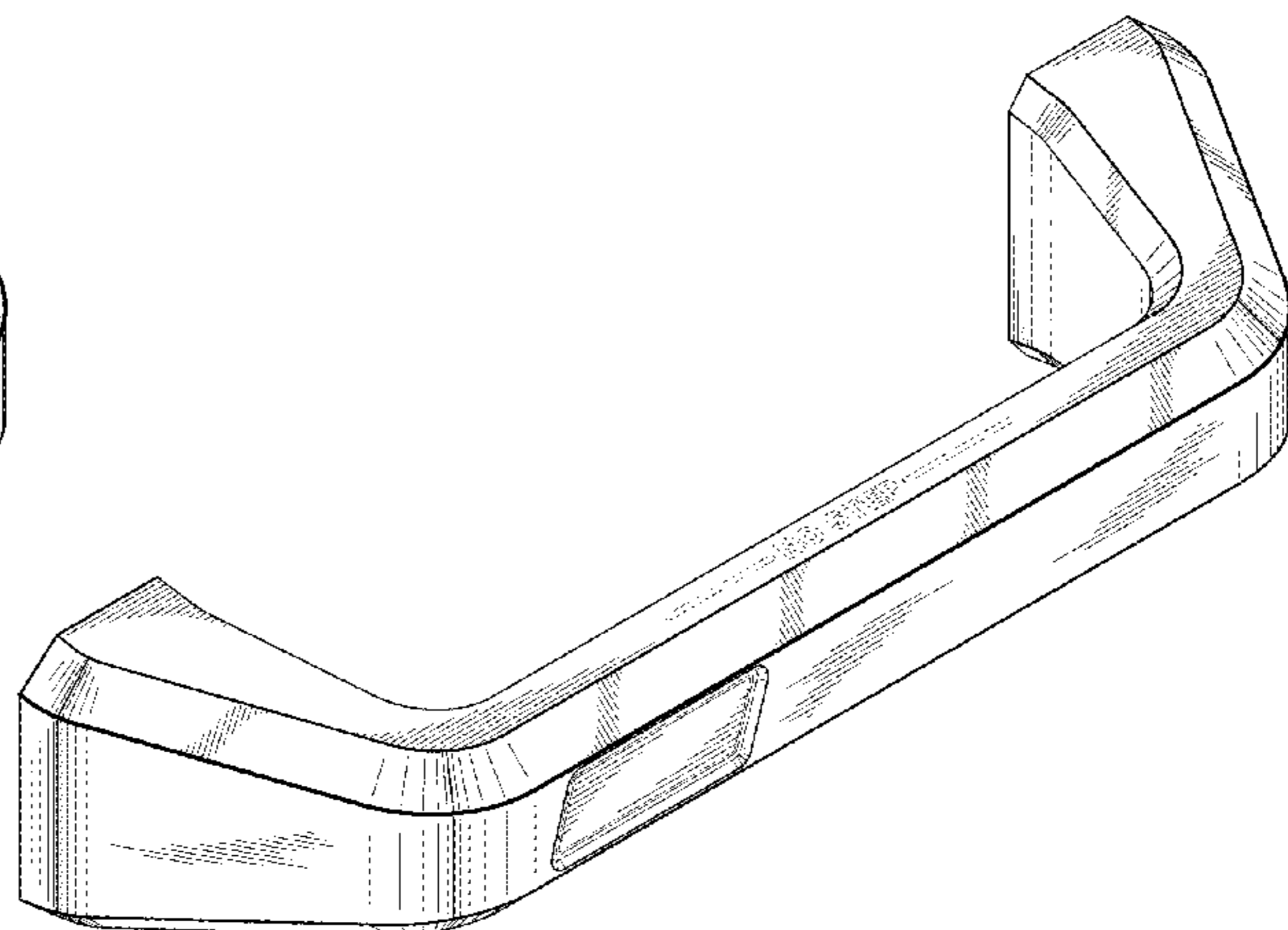
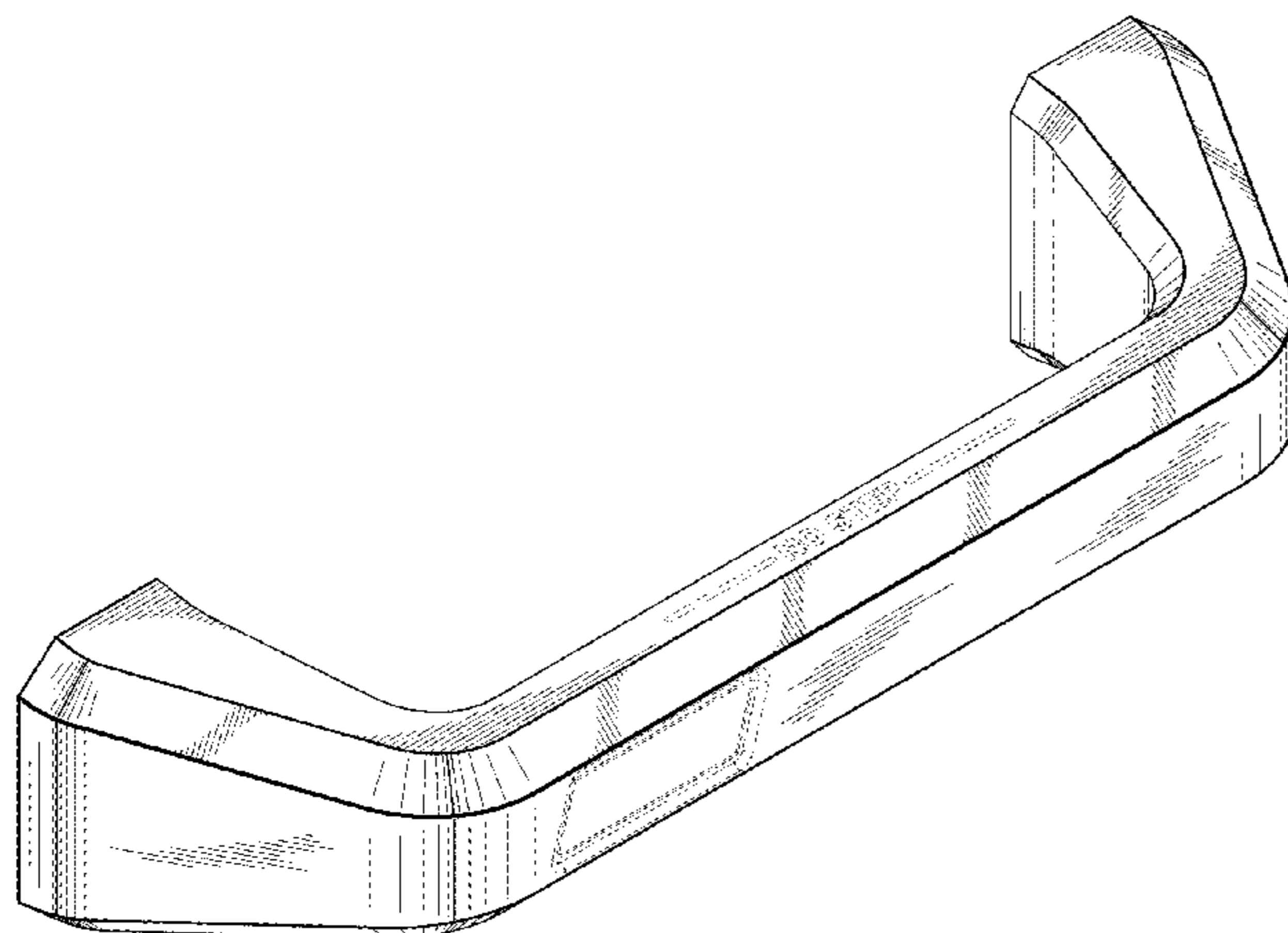
(57) **CLAIM**

The ornamental design for the handle, as shown and described.

**DESCRIPTION**

FIG. 1 is a top front left perspective view of a first embodiment of a handle showing my new design;  
 FIG. 2 is a front elevation view of the handle shown in FIG. 1;  
 FIG. 3 is a rear elevation view of the handle shown in FIG. 1;  
 FIG. 4 is a top plan view of the handle shown in FIG. 1;  
 FIG. 5 is a bottom plan view of the handle shown in FIG. 1;  
 FIG. 6 is a left elevation view of the handle shown in FIG. 1;  
 FIG. 7 is a right elevation view of the handle shown in FIG. 1;  
 FIG. 8 is a top front left perspective view of a second embodiment of a handle showing my new design;  
 FIG. 9 is a front elevation view of the handle shown in FIG. 8;  
 FIG. 10 is a rear elevation view of the handle shown in FIG. 8;  
 FIG. 11 is a top plan view of the handle shown in FIG. 8;  
 FIG. 12 is a bottom plan view of the handle shown in FIG. 8;  
 FIG. 13 is a left elevation view of the handle shown in FIG. 8; and,  
 FIG. 14 is a right elevation view of the handle shown in FIG. 8.  
 The broken lines show portions of the handle which form no part of the claimed design.

**1 Claim, 6 Drawing Sheets**



(56)

References Cited

U.S. PATENT DOCUMENTS

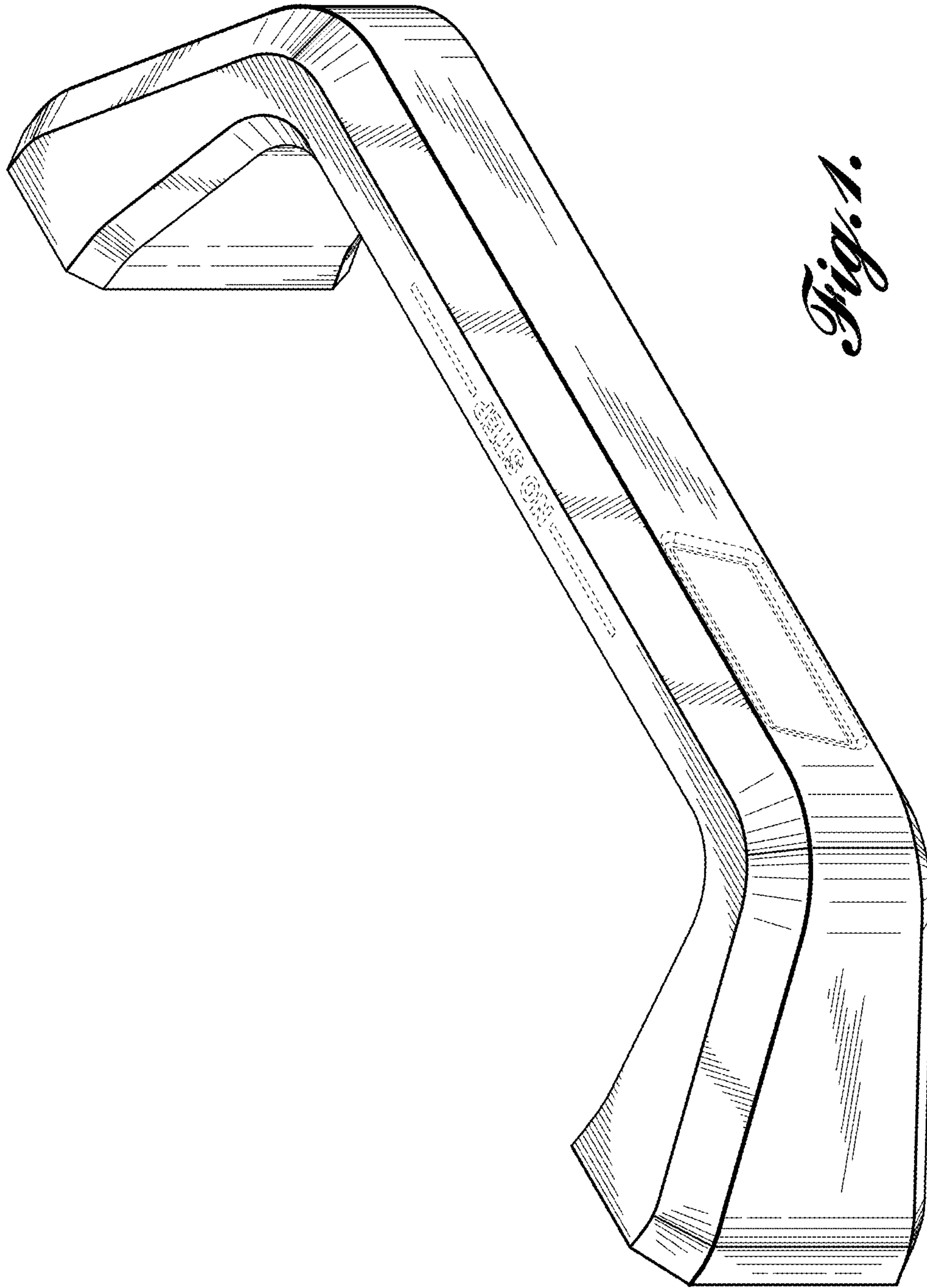
D573,868 S \* 7/2008 Ricereto ..... D8/315  
 D588,897 S \* 3/2009 Ricereto ..... D8/317  
 D598,269 S \* 8/2009 Hanes ..... D8/317  
 D629,668 S \* 12/2010 Mattson ..... D8/315  
 D729,035 S \* 5/2015 Zimmer ..... D8/316  
 D737,112 S \* 8/2015 Han ..... D8/316  
 D763,654 S \* 8/2016 Chung ..... D8/315  
 D780,552 S \* 3/2017 Zimmer ..... D8/316  
 D790,315 S \* 6/2017 Zimmer ..... D8/316  
 D790,316 S \* 6/2017 Zimmer ..... D8/316  
 D792,752 S \* 7/2017 Chung ..... D8/315  
 D824,745 S \* 8/2018 Ancona ..... D8/316  
 D856,074 S \* 8/2019 Kim ..... D7/402  
 D878,896 S \* 3/2020 Warmenhoven ..... D8/315  
 D879,582 S \* 3/2020 Olson ..... D8/316  
 D879,584 S \* 3/2020 Bunn ..... D8/316  
 D879,585 S \* 3/2020 Bunn ..... D8/316  
 D879,703 S \* 3/2020 Perry ..... D12/412

D883,065 S \* 5/2020 Ignarra ..... D8/302  
 D889,243 S \* 7/2020 Eads ..... D8/316  
 2019/0234123 A1 \* 8/2019 Saitou ..... E05B 77/36  
 2019/0248219 A1 \* 8/2019 Dellock ..... B60Q 1/2611  
 2019/0270229 A1 \* 9/2019 Perez Fernandez .....  
 B29C 45/14819  
 2020/0071968 A1 \* 3/2020 Saitou ..... E05B 79/12  
 2020/0190867 A1 \* 6/2020 Ooyama ..... E05B 85/16  
 2020/0247297 A1 \* 8/2020 Le Tinnier ..... B60N 3/026  
 2020/0398724 A1 \* 12/2020 Steck ..... B60N 3/023  
 2021/0076514 A1 \* 3/2021 Reifenberg ..... H01R 12/71  
 2021/0123270 A1 \* 4/2021 Spick ..... G07C 9/00944

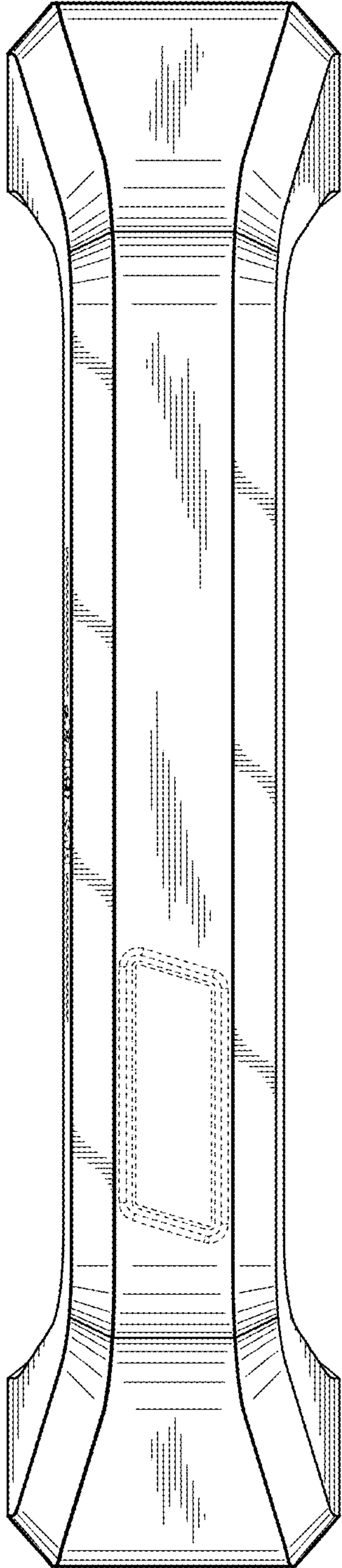
OTHER PUBLICATIONS

TeraFlex 4830400 JK\_ Hard Top Handle Kit\_ Automotive, Date Visited: May 20, 2021, Amazon, Date Available: Oct. 11, 2019, <https://www.amazon.com/TeraFlex-4830400-JK-Hard-Handle/dp/B07Z12Z61X> (Year: 2019).\*

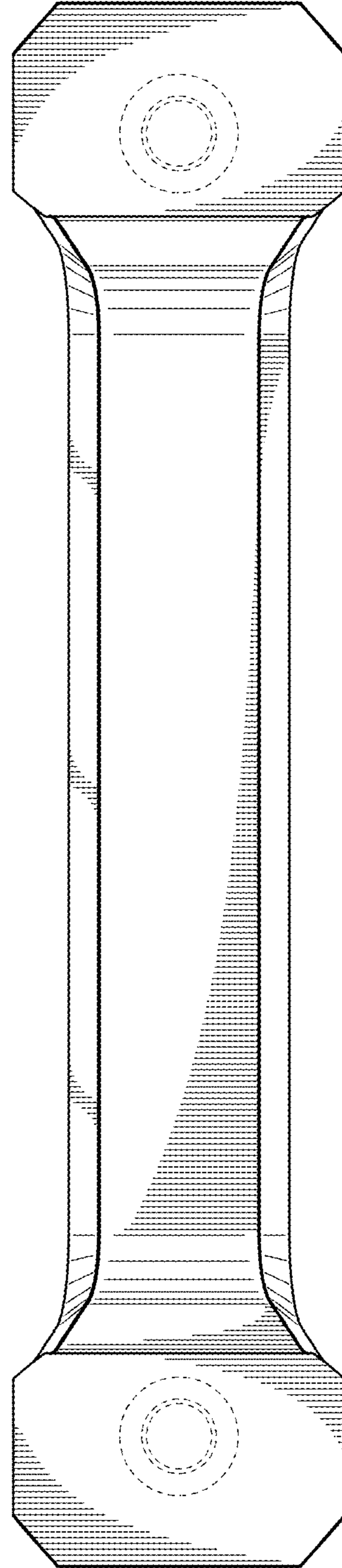
\* cited by examiner



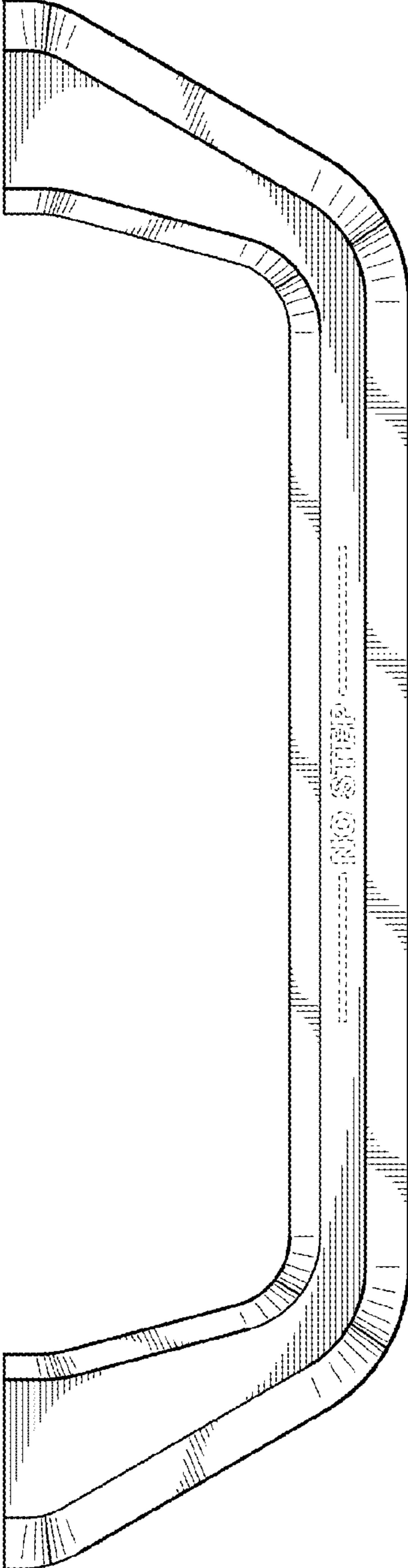
*Fig. 1.*



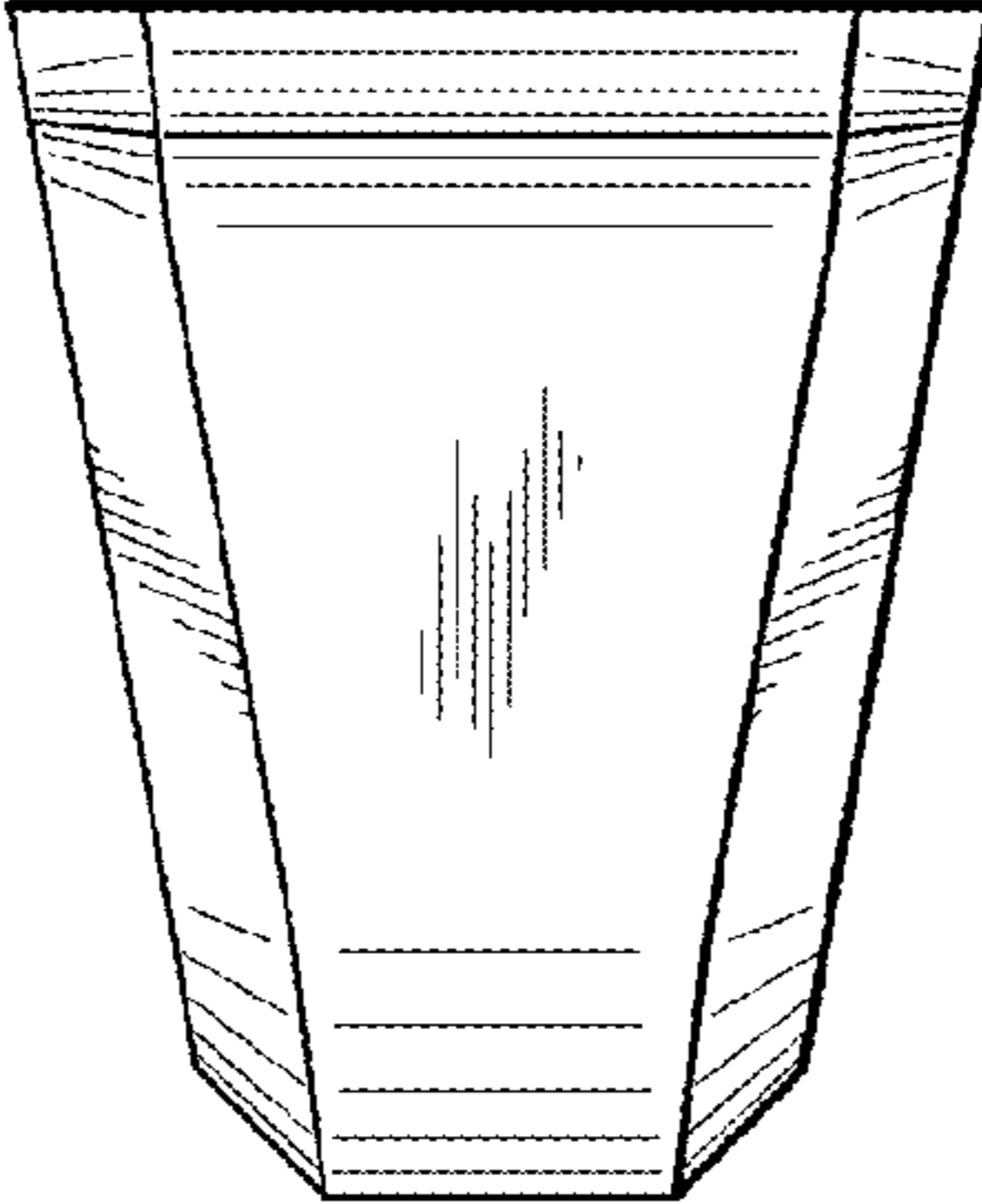
*Fig. 2.*



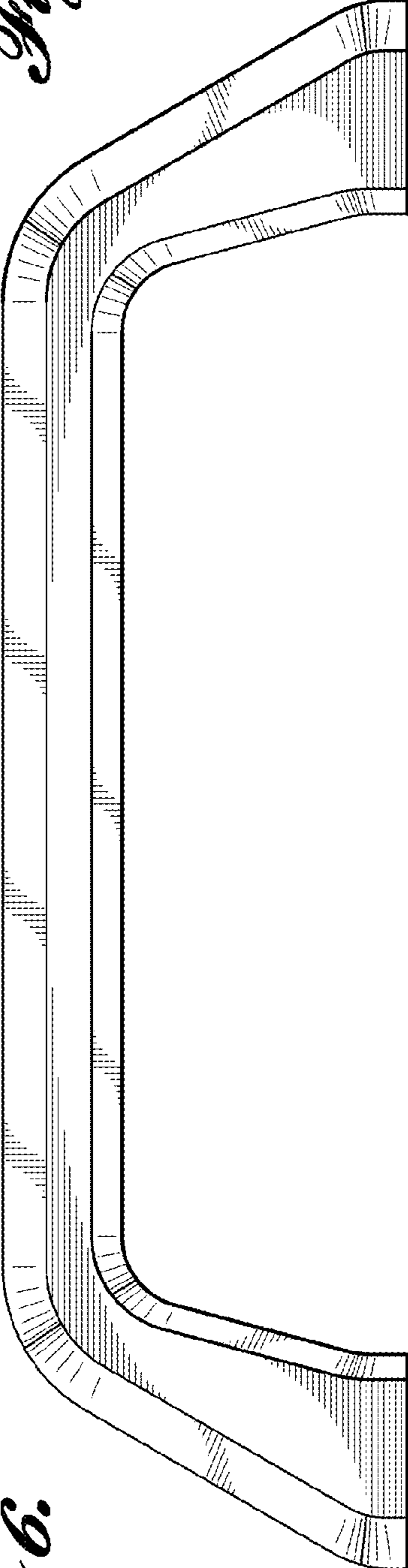
*Fig. 3.*



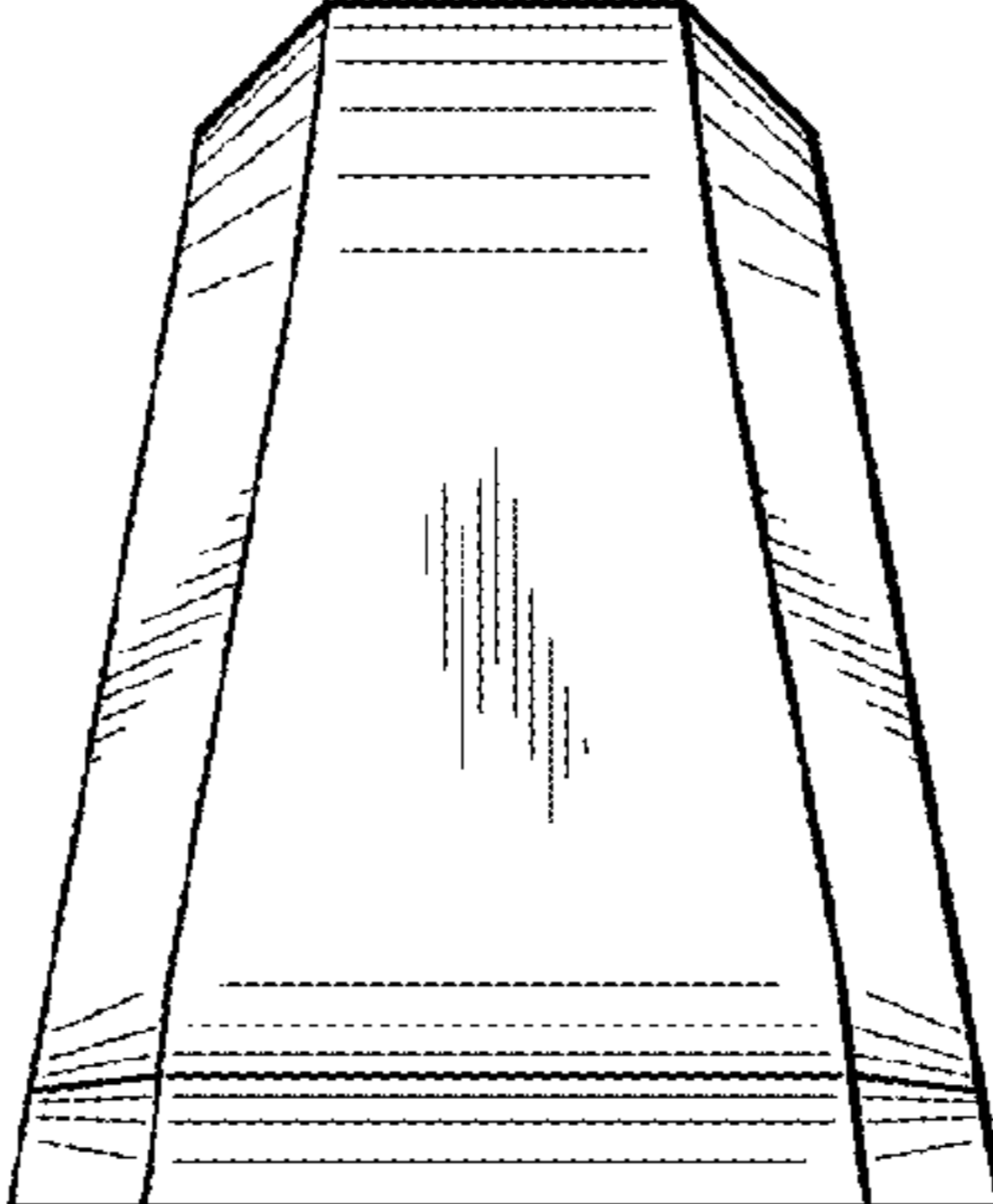
*Fig. 4.*



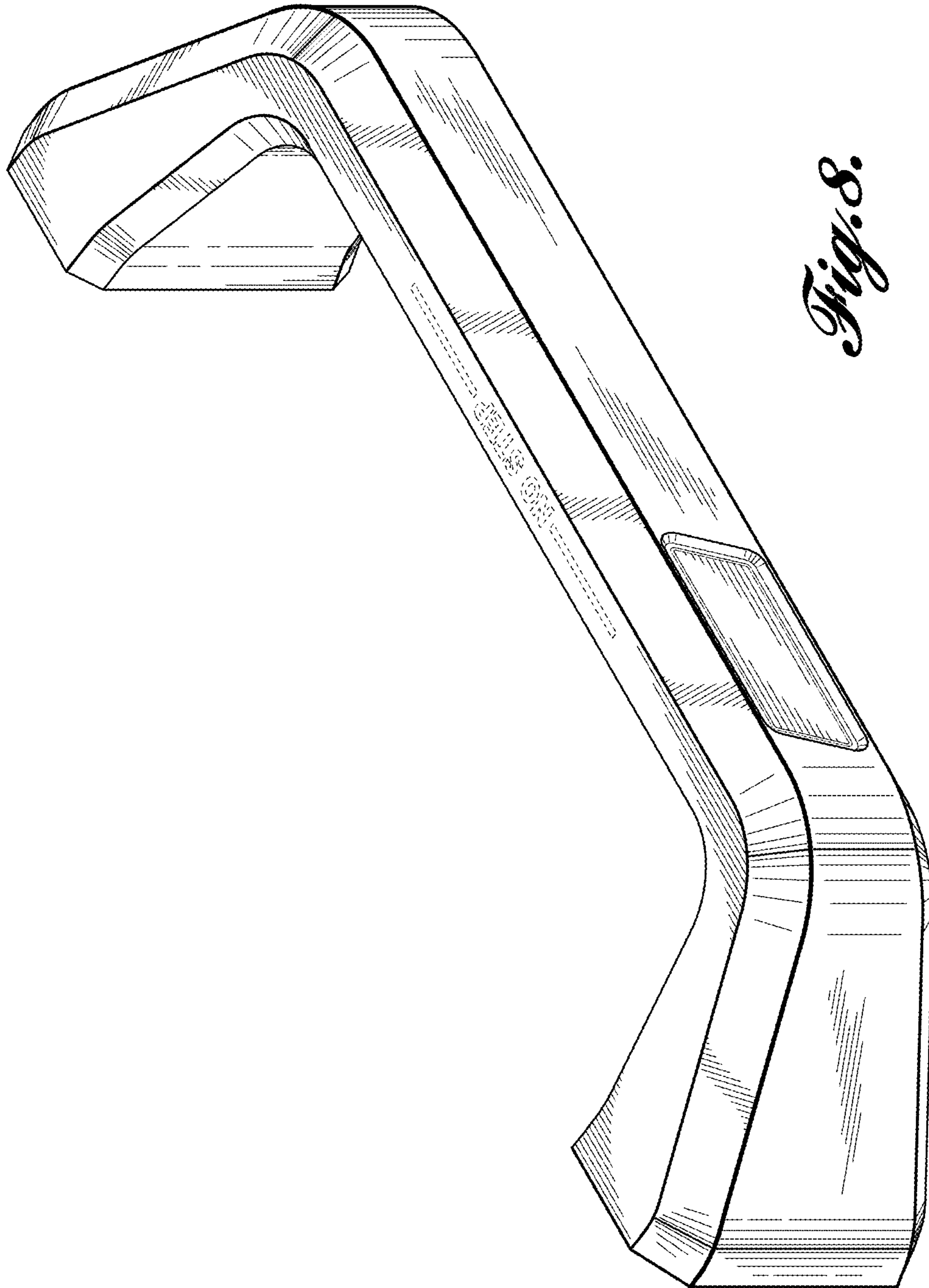
*Fig. 7.*

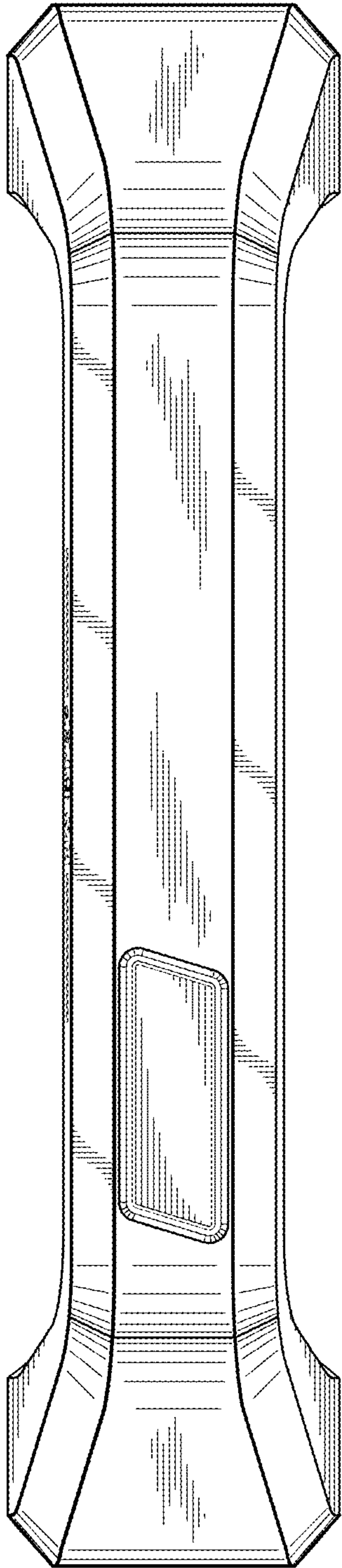


*Fig. 5.*

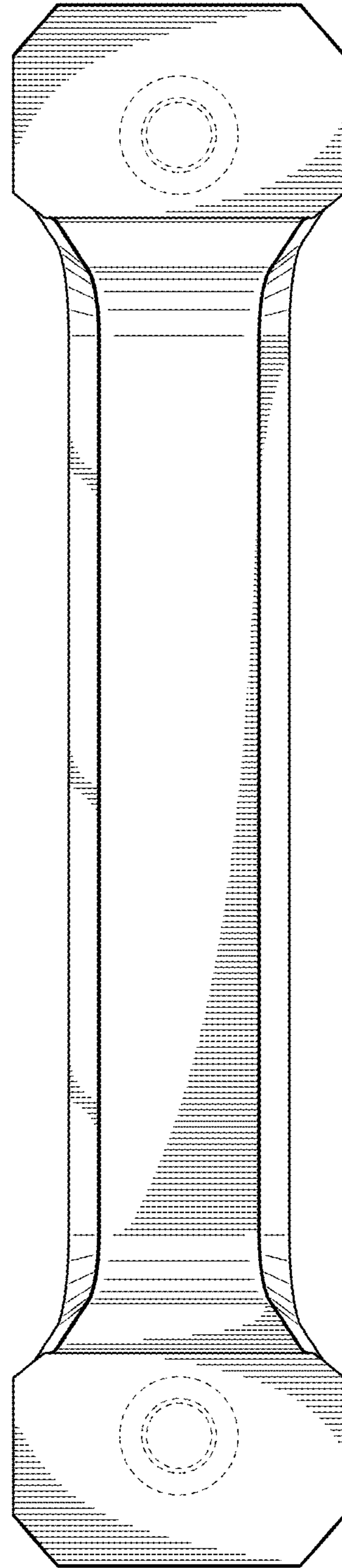


*Fig. 6.*

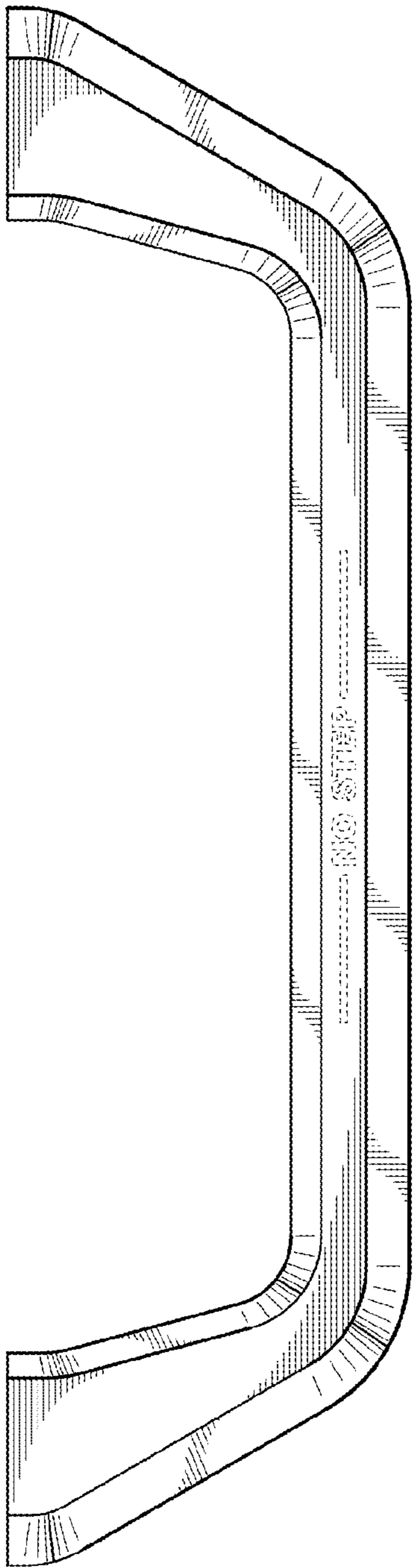




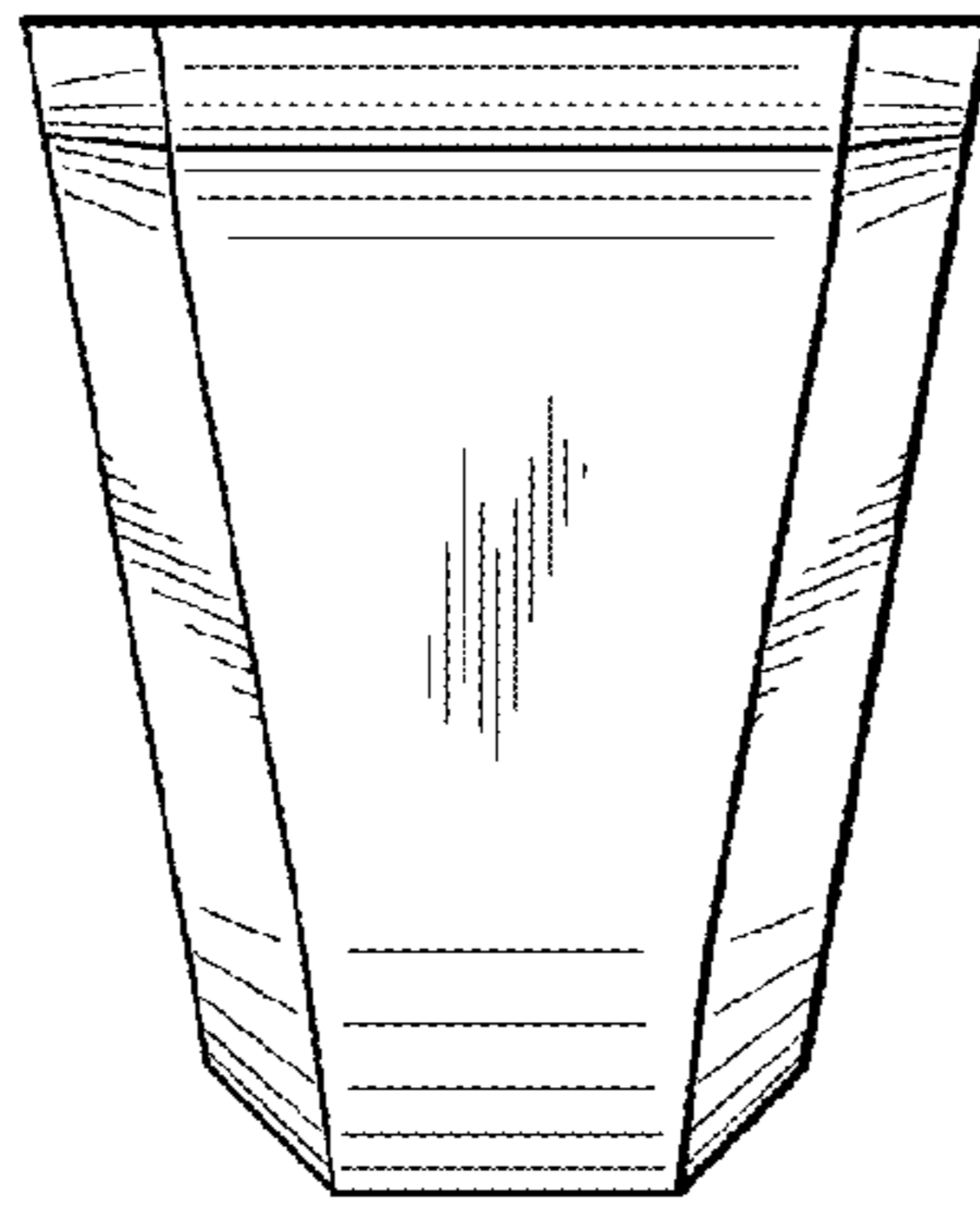
*Fig. 9.*



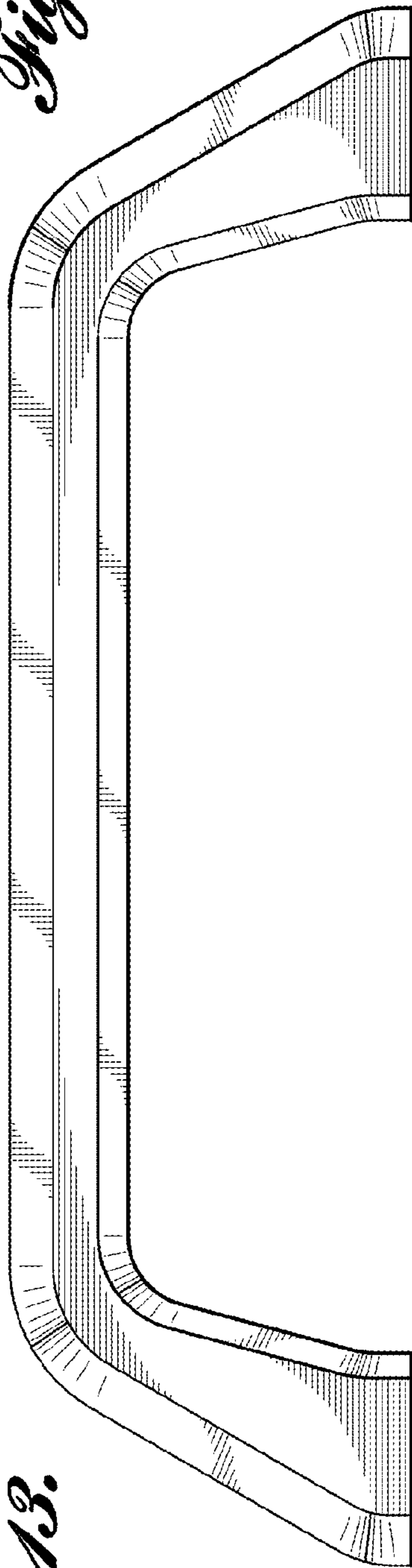
*Fig. 10.*



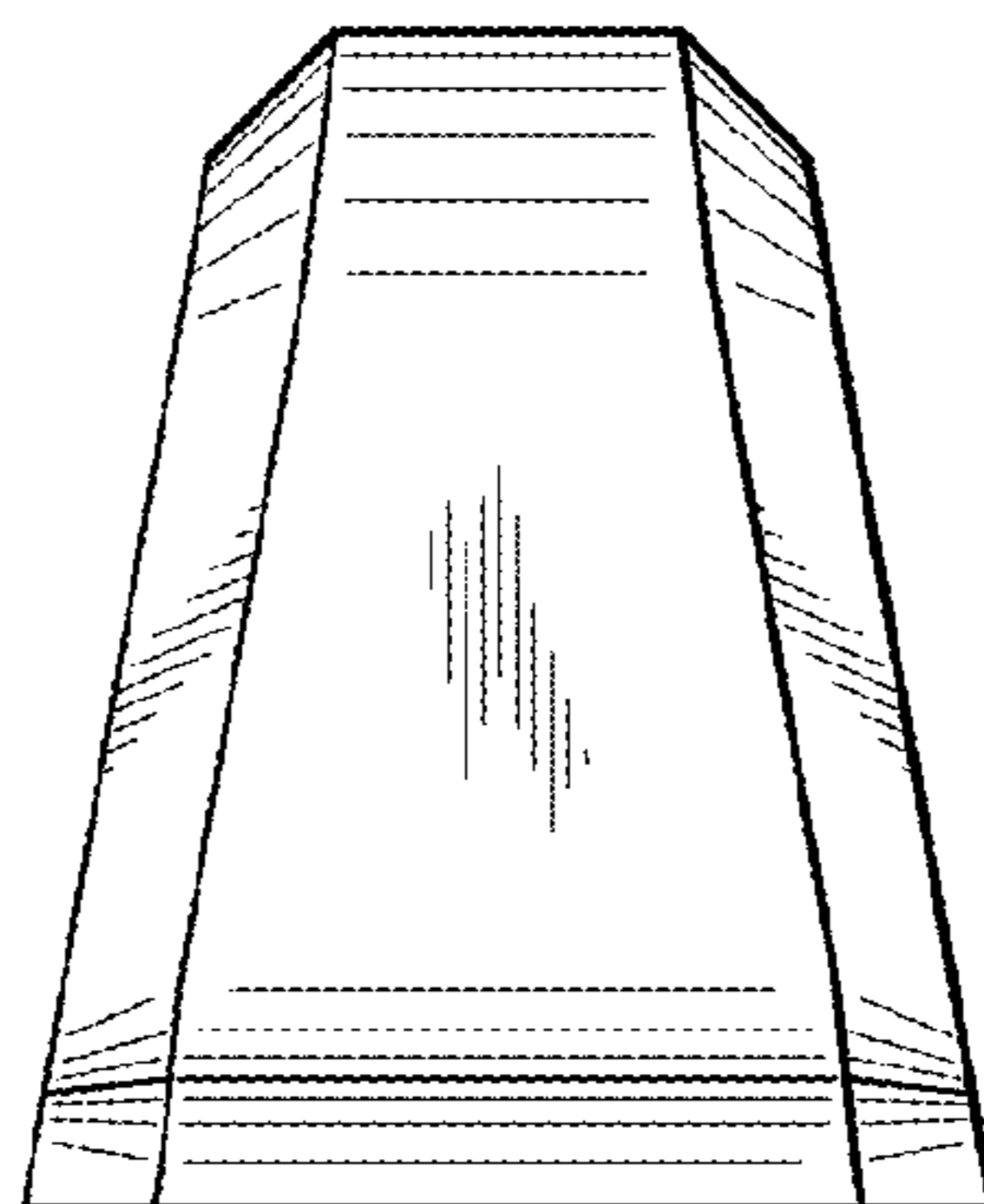
*Fig. 11.*



*Fig. 14.*



*Fig. 12.*



*Fig. 13.*