



US00D950352S

(12) **United States Design Patent**
Esarey

(10) **Patent No.:** **US D950,352 S**
(45) **Date of Patent:** **** May 3, 2022**

(54) **HANDLE FOR A HAND-HELD POWER OPERATED TOOL**

10,124,500 B2 * 11/2018 Whited B26B 25/002
D861,455 S * 10/2019 Chang D8/107
D862,192 S * 10/2019 Chang D8/83

(Continued)

(71) Applicant: **Bettcher Industries, Inc.**, Birmingham, OH (US)

(72) Inventor: **Bernard J. Esarey**, Lorain, OH (US)

(73) Assignee: **Bettcher Industries, Inc.**, Birmingham, OH (US)

(**) Term: **15 Years**

(21) Appl. No.: **29/708,467**

(22) Filed: **Oct. 7, 2019**

(51) **LOC (13) Cl.** **08-05**

(52) **U.S. Cl.**
USPC **D8/107; D8/45**

(58) **Field of Classification Search**
USPC ... D8/14, 51, 82, 83, 84, 85, 105, 107, 300;
D7/395; D32/49, 52
CPC B25B 15/02; B25B 15/04; B25B 15/001;
B25B 15/008; B25B 25/002; B25G
1/005; B25G 1/046; B25G 1/085; B25G
1/063
See application file for complete search history.

(56) **References Cited**

U.S. PATENT DOCUMENTS

6,769,184	B1	8/2004	Whited	
6,978,548	B2	12/2005	Whited et al.	
8,756,819	B2	6/2014	Whited et al.	
8,950,076	B2 *	2/2015	Whited	A22C 17/12 30/276
9,592,076	B2	3/2017	Esarey et al.	
9,833,919	B2	12/2017	Mascari et al.	
9,913,482	B2	3/2018	Karubian	
D826,681	S *	8/2018	Pirrone	D8/107
10,039,567	B2	8/2018	Esarey et al.	
10,040,211	B2	8/2018	Whited	

OTHER PUBLICATIONS

“Bettcher Industries introduces Quantum Flex Trimmers.” Provisioner Online., Aug. 7, 2018 [online], [retrieved on Dec. 6, 2021]. Retrieved from the Internet <URL: <https://www.provisioneronline.com/articles/106577-bettcher-industries-introduces-quantum-flex-trimmers>>.*

(Continued)

Primary Examiner — Darlington Ly

(74) *Attorney, Agent, or Firm* — Tarolli, Sundheim, Covell & Tummino LLP

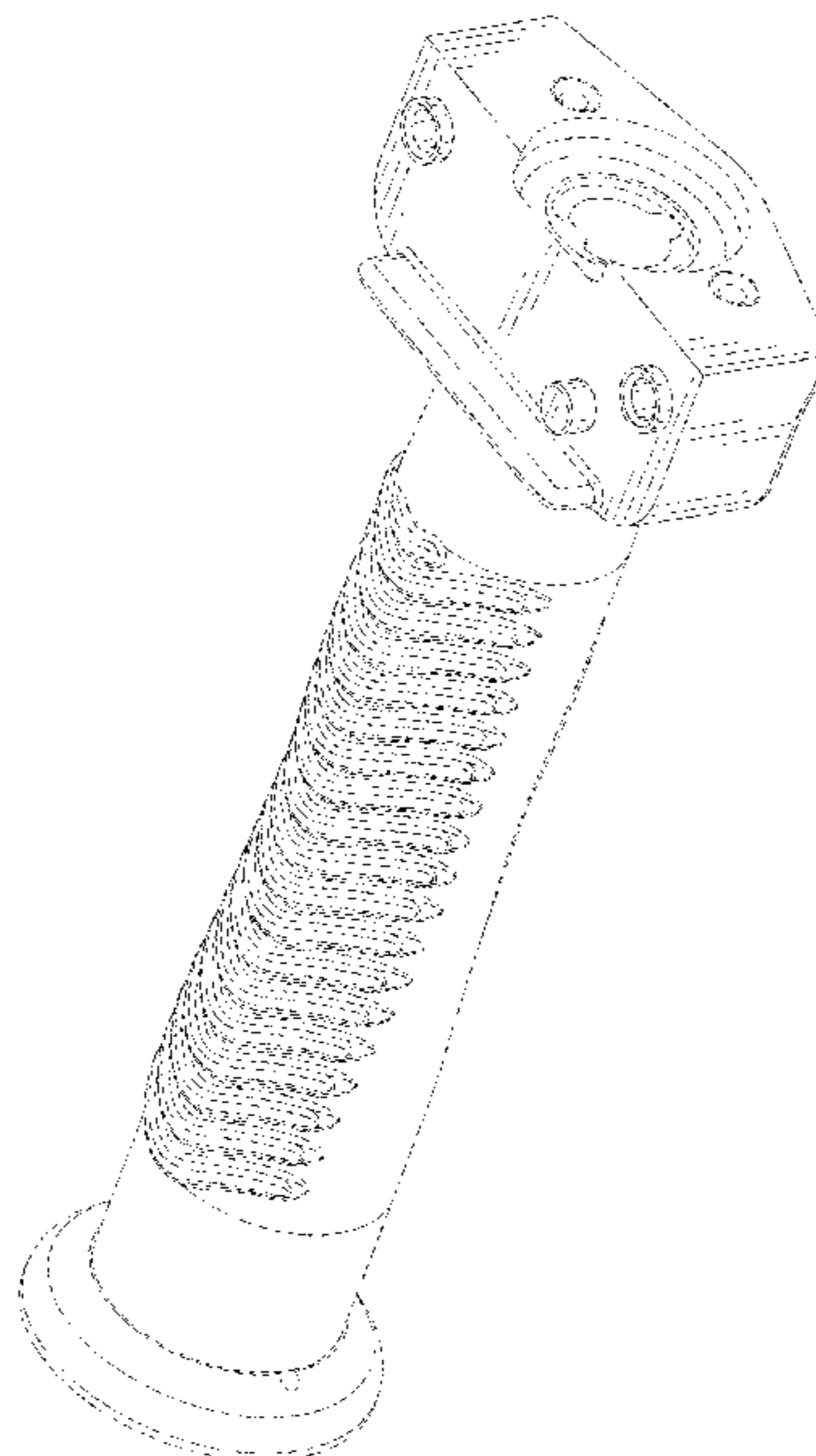
(57) **CLAIM**

The ornamental design for a handle for a hand-held power operated tool, as shown and described.

DESCRIPTION

FIG. 1 is a top and front perspective view of a handle for a hand-held power operated tool embodying my new design; FIG. 2 is a bottom and rear perspective view thereof; FIG. 3 is a top and rear perspective view thereof; FIG. 4 is a bottom and front perspective view thereof; FIG. 5 is a top plan view thereof; FIG. 6 is a bottom plan view thereof; FIG. 7 is a left side elevation view thereof; FIG. 8 is a right side elevation view thereof; FIG. 9 is a front elevation view thereof; FIG. 10 is a rear elevation view thereof; and, FIG. 11 is a section view of FIG. 5 along section lines 11-11. The broken lines in the drawings illustrate portions of the handle for a hand-held power operated tool that form no part of the claimed design. The dash-dot broken lines in the drawings represent boundaries of the claim but do not form part of the claim.

1 Claim, 10 Drawing Sheets



(56)

References Cited

U.S. PATENT DOCUMENTS

10,471,614 B2 * 11/2019 Whited B26B 25/002
D892,592 S * 8/2020 Patil B25B 13/481
D8/107
D912,486 S * 3/2021 Miller D8/61
D912,489 S * 3/2021 Whited D8/70
2013/0104404 A1 5/2013 Levsen
2014/0074119 A1 * 3/2014 Esarey A61B 17/322
606/132
2018/0162002 A1 6/2018 Whited et al.
2018/0345514 A1 * 12/2018 Whited B25F 5/02
2020/0367516 A1 * 11/2020 Miller A22B 5/0029

OTHER PUBLICATIONS

“Meat trimmer.” Refrigerated & Frozen Foods., Aug. 7, 2018 [online], [retrieved on Dec. 6, 2021]. Retrieved from the Internet <URL: <https://www.refrigeratedfrozenfood.com/articles/95316-meat-trimmer>>.*

“High-quality and high-performance meat trimmers.” SUHNER., Feb. 18, 2020 [online], [retrieved on Dec. 6, 2021]. Retrieved from the Internet <URL: <https://turbo-trim.suhner-abrasive.com/en/>>.*

“Electric Trimmers.” Scott Pec., Oct. 21, 2016 [online], [retrieved on Dec. 6, 2021]. Retrieved from the Internet <URL: <https://www.scottpec.com/electric-trimmers.html>>.*

* cited by examiner

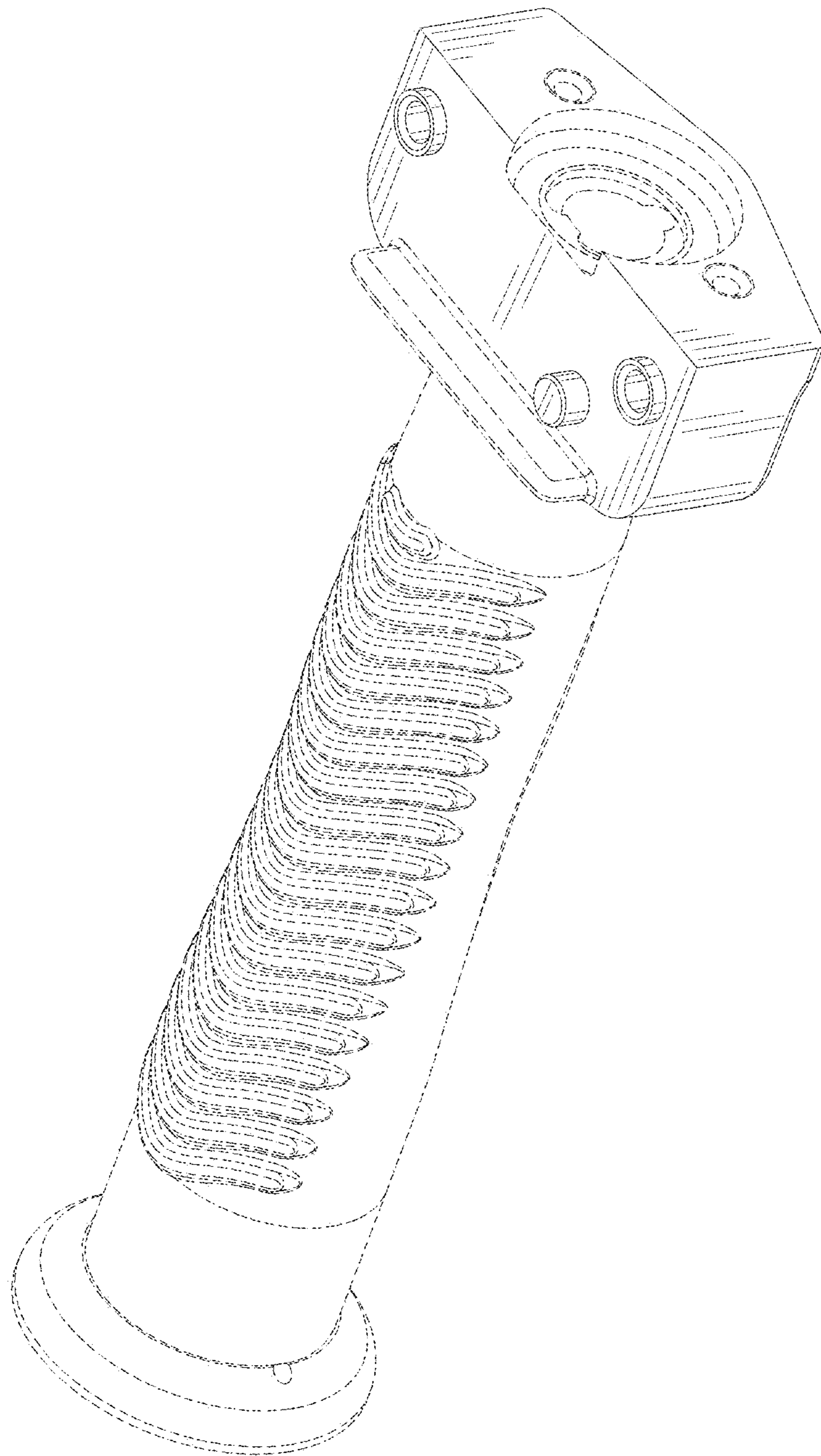


FIG. 1

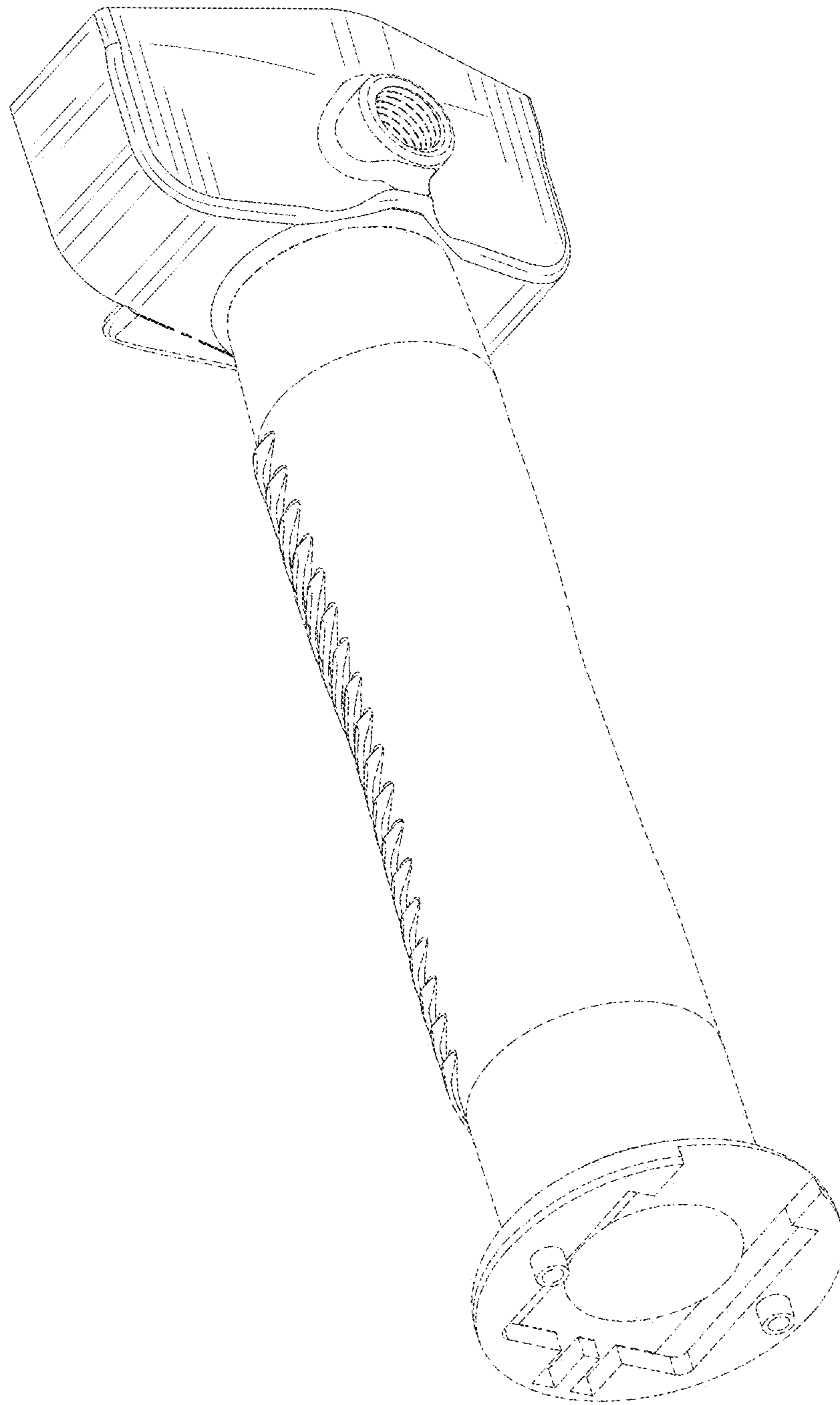


FIG. 2

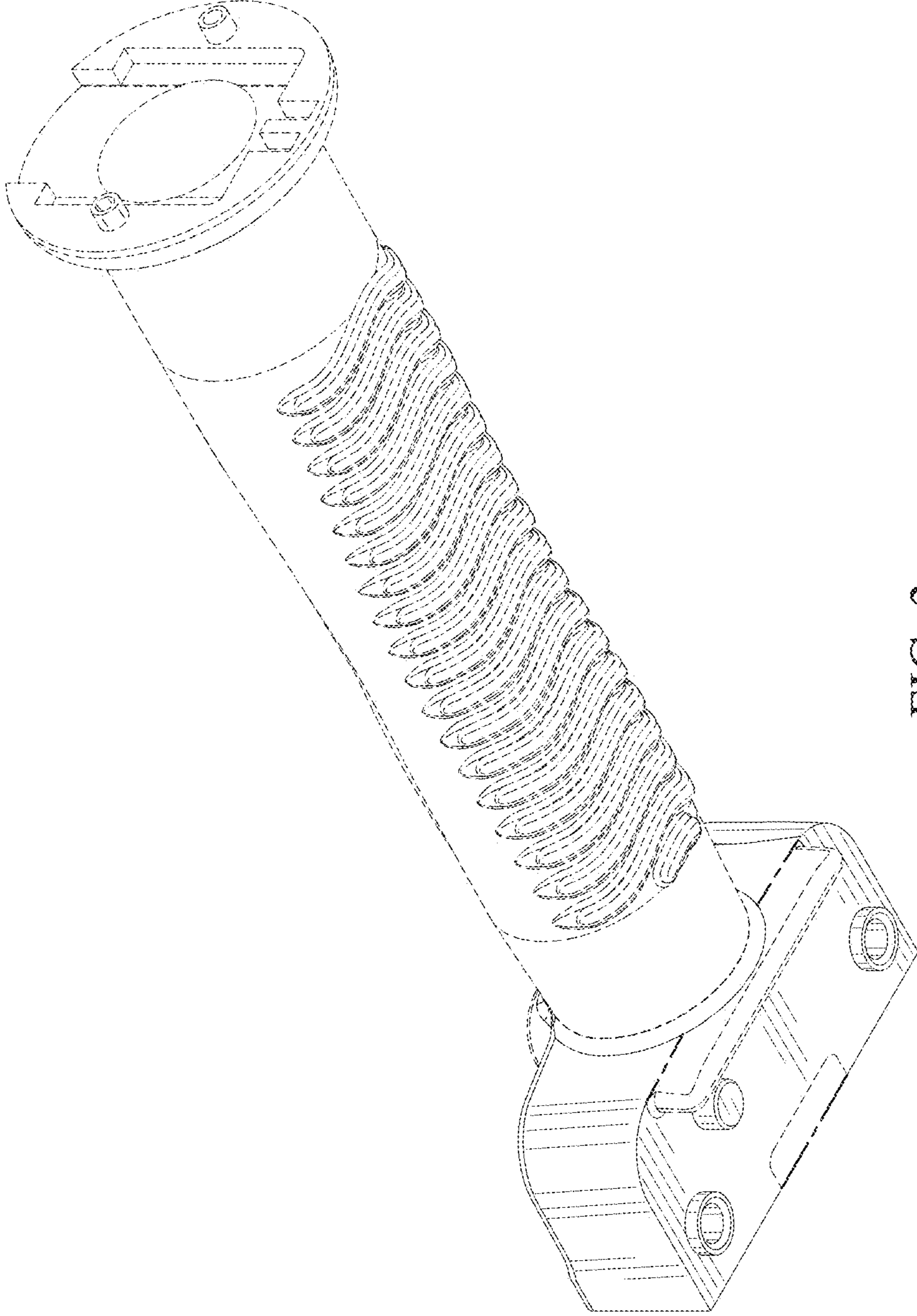


FIG. 3

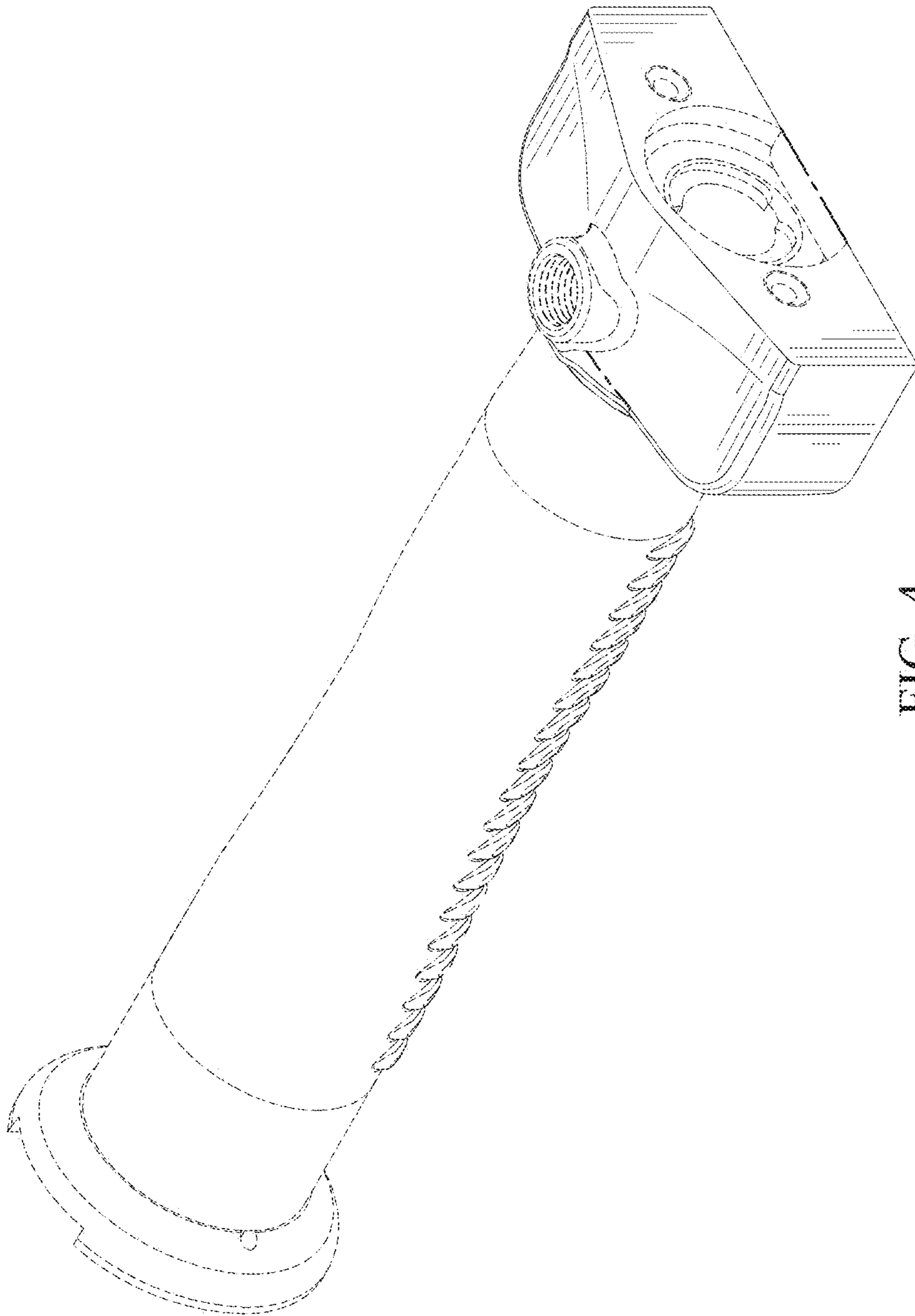


FIG. 4

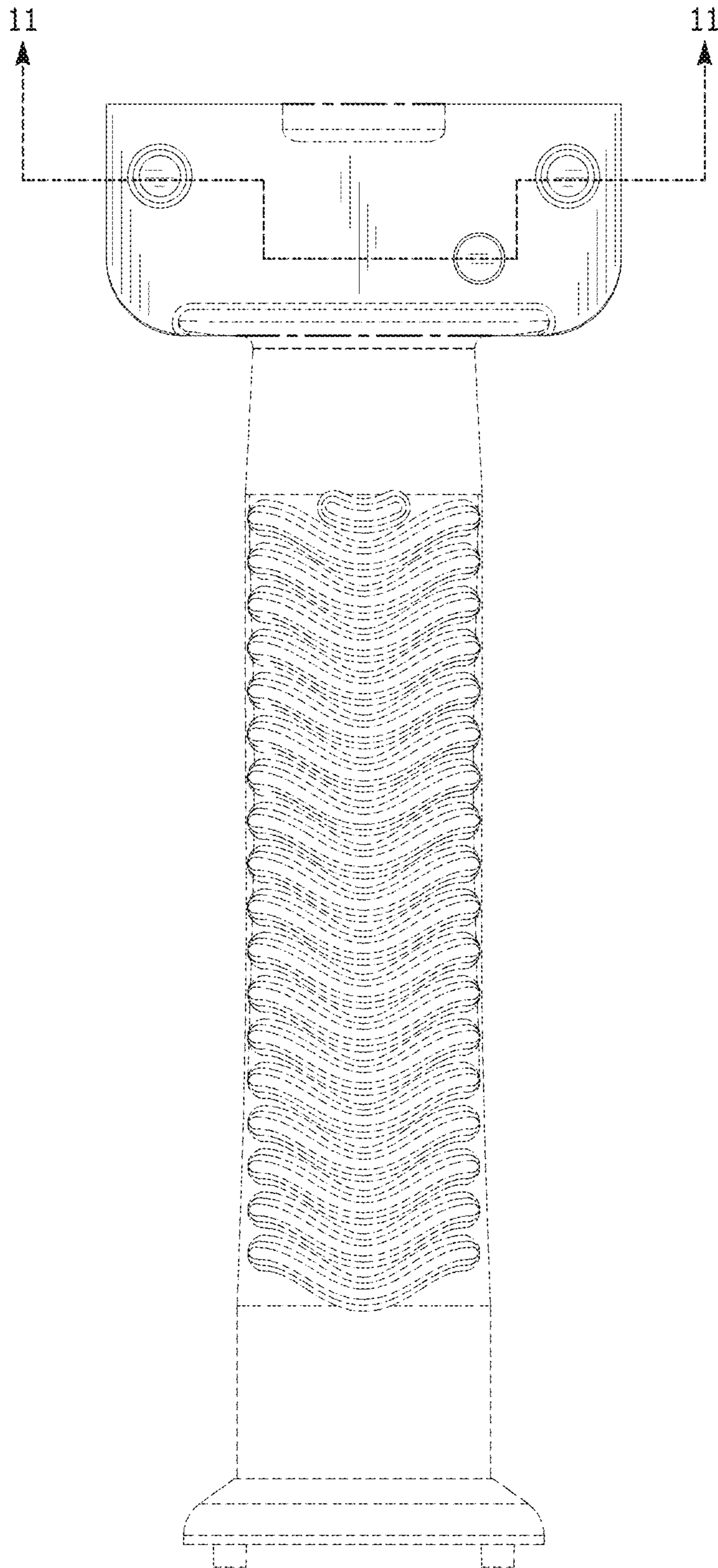


FIG. 5

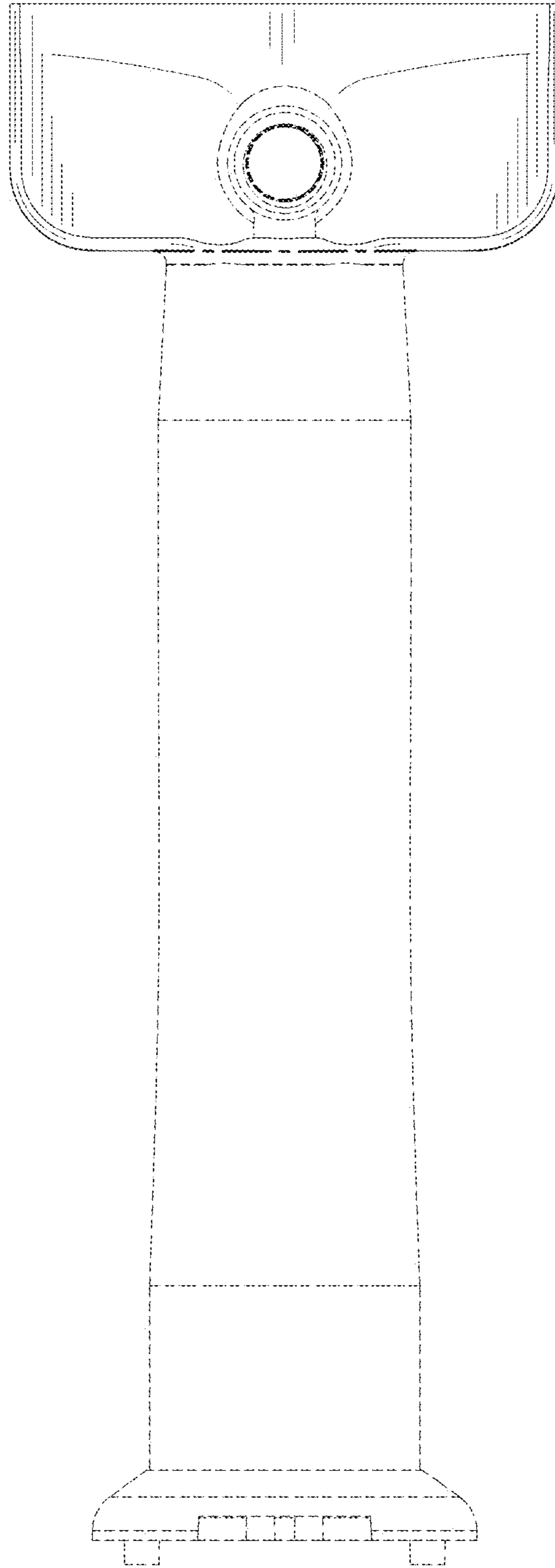


FIG. 6

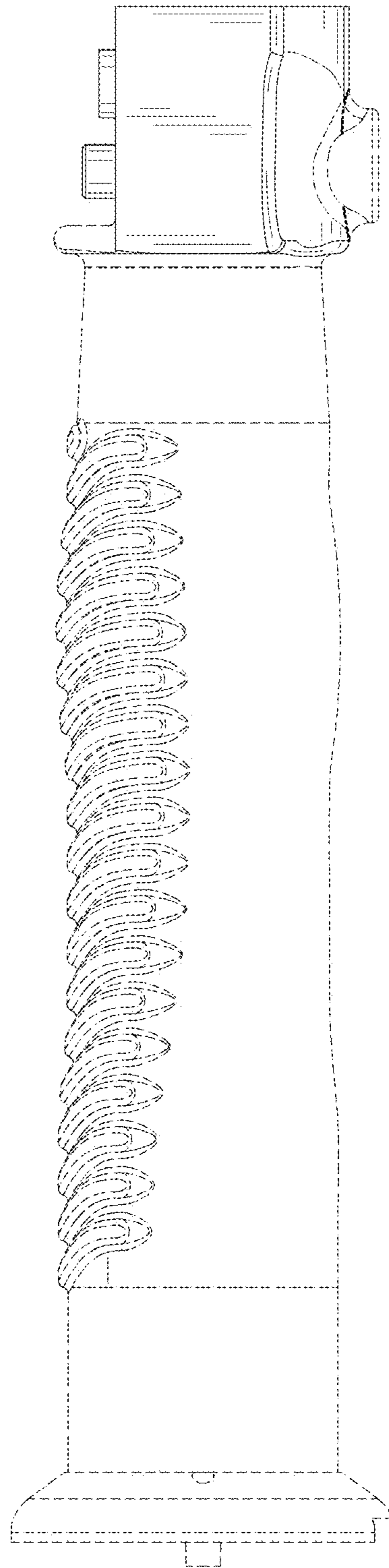


FIG. 7

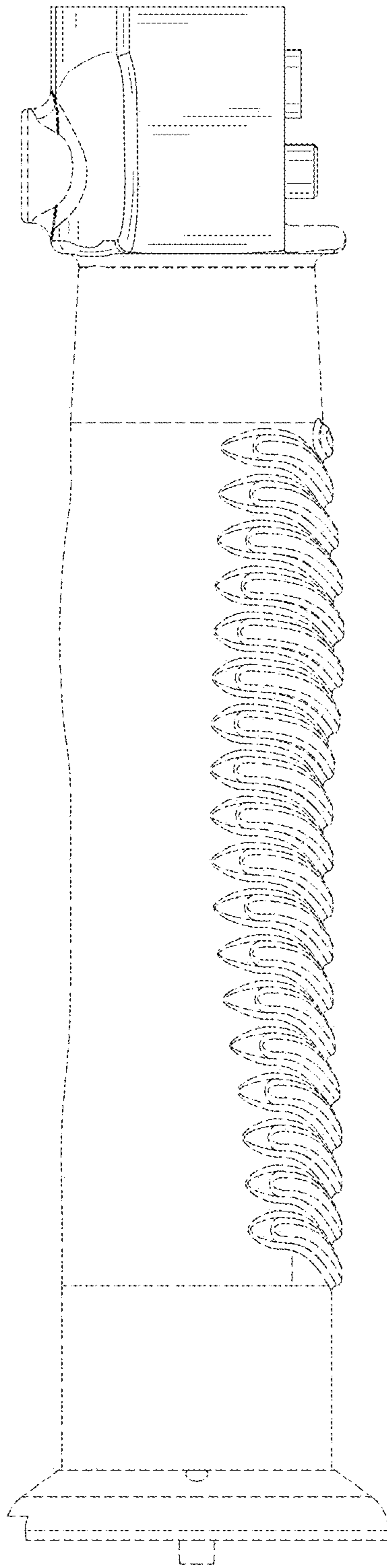


FIG. 8

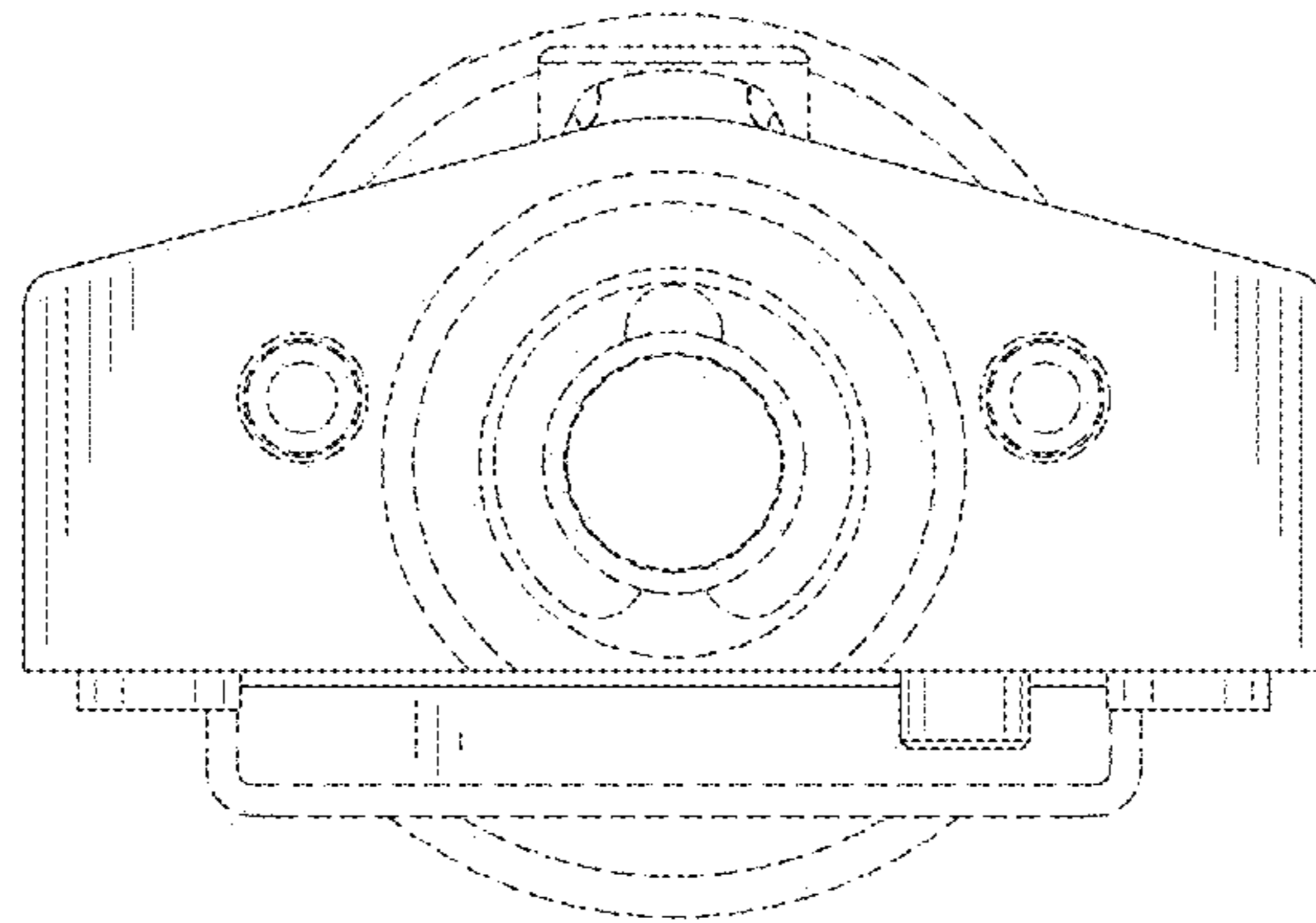


FIG. 9

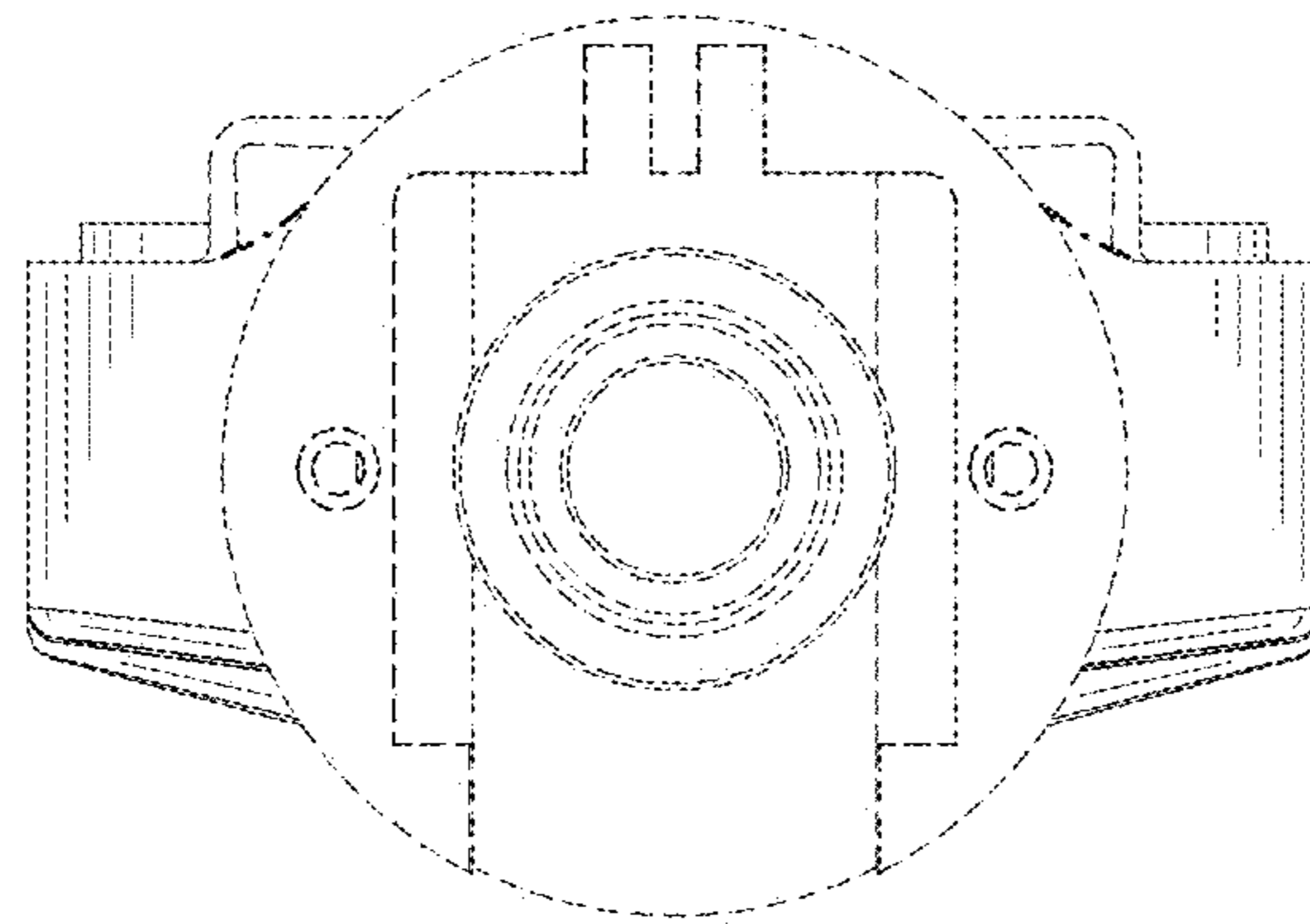


FIG. 10

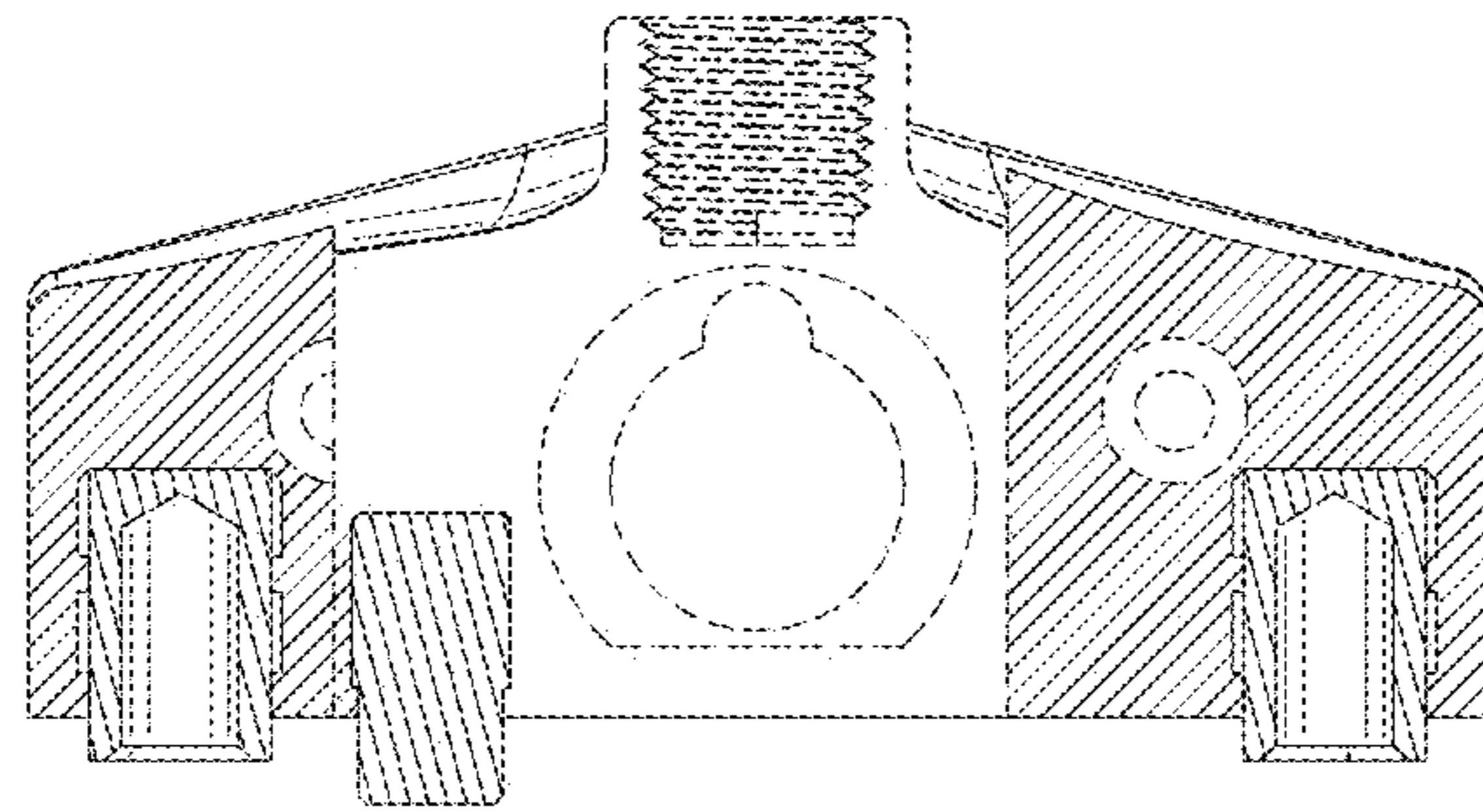


FIG. 11