



US00D950351S

(12) **United States Design Patent** (10) **Patent No.:** **US D950,351 S**
Li (45) **Date of Patent:** **** May 3, 2022**

(54) **MULTI-FUNCTIONAL TOOL**
(71) Applicant: **Pingxiang Juyuan Culture Communication Co., Ltd., Pingxiang (CN)**

(72) Inventor: **Jianju Li, Pingxiang (CN)**

(73) Assignee: **Pingxiang Juyuan Culture Communication Co., Ltd., Pingxiang (CN)**

(**) Term: **15 Years**

(21) Appl. No.: **29/773,201**

(22) Filed: **Mar. 8, 2021**

(51) **LOC (13) Cl.** **08-05**

(52) **U.S. Cl.**
USPC **D8/105; D8/81**

(58) **Field of Classification Search**
USPC D8/75, 81, 105
CPC B25F 1/006; B25F 1/02
See application file for complete search history.

(56) **References Cited**

U.S. PATENT DOCUMENTS

D419,050 S * 1/2000 Lin D8/105
D419,418 S * 1/2000 Lin D8/105

D630,079 S 1/2011 Seeds et al.
D811,846 S 3/2018 Johnson et al.
D814,263 S 4/2018 Johnson et al.
D915,861 S * 4/2021 Zhong D8/105
D933,446 S * 10/2021 Liu D8/105
2018/0311803 A1* 11/2018 Hertaus B23D 51/10

* cited by examiner

Primary Examiner — Janice Hallmark

(74) *Attorney, Agent, or Firm* — Jinggao Li

(57) **CLAIM**

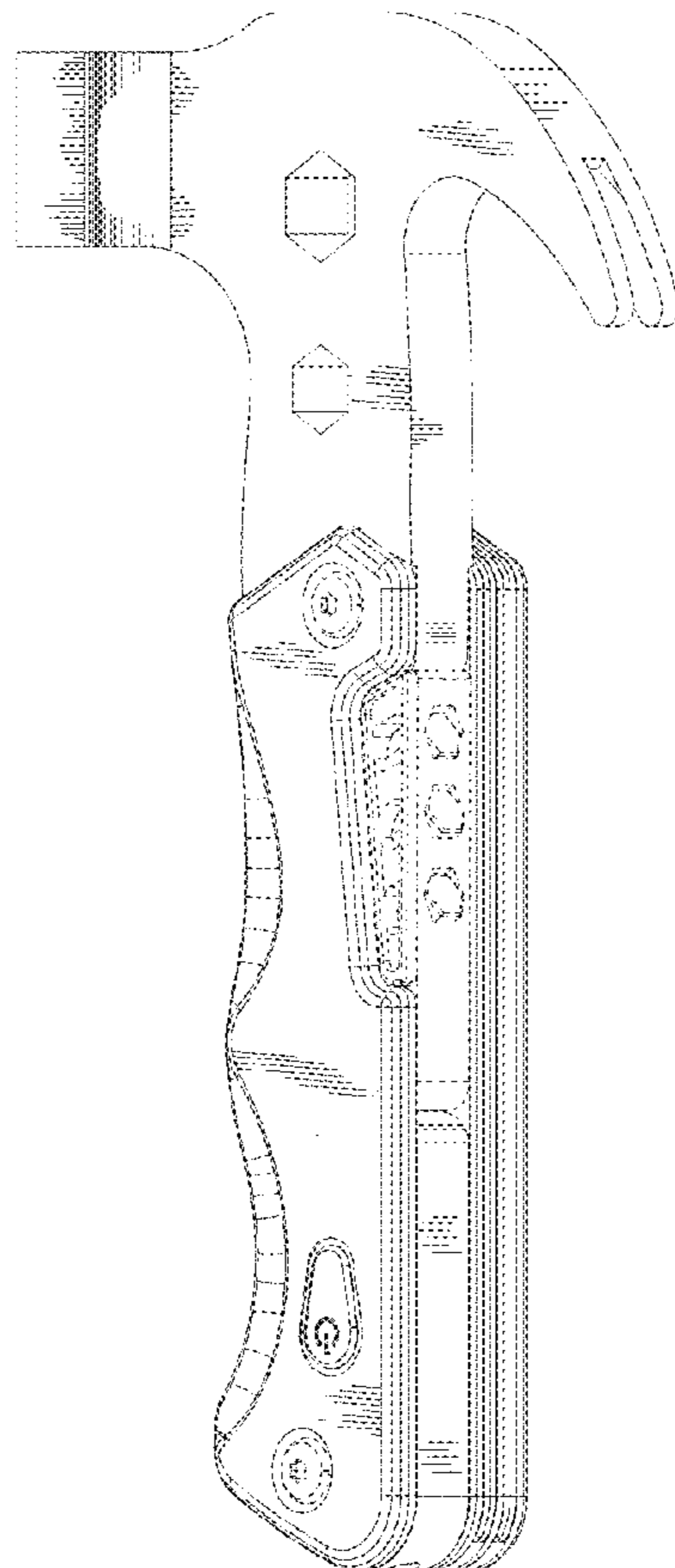
The ornamental design for multi-functional tool, as shown and described.

DESCRIPTION

FIG. 1 is a perspective view of a multi-functional tool showing my new design;
FIG. 2 is a front view thereof;
FIG. 3 is a rear view thereof;
FIG. 4 is a left side view thereof;
FIG. 5 is a right side view thereof;
FIG. 6 is a top plan view thereof;
FIG. 7 is a bottom plan view thereof;
FIG. 8 is a perspective view thereof in a use state;
FIG. 9 is a front view thereof; and,
FIG. 10 is a rear view thereof.

The broken lines depict portions of the multi-functional tool and form no part of the claimed design.

1 Claim, 10 Drawing Sheets



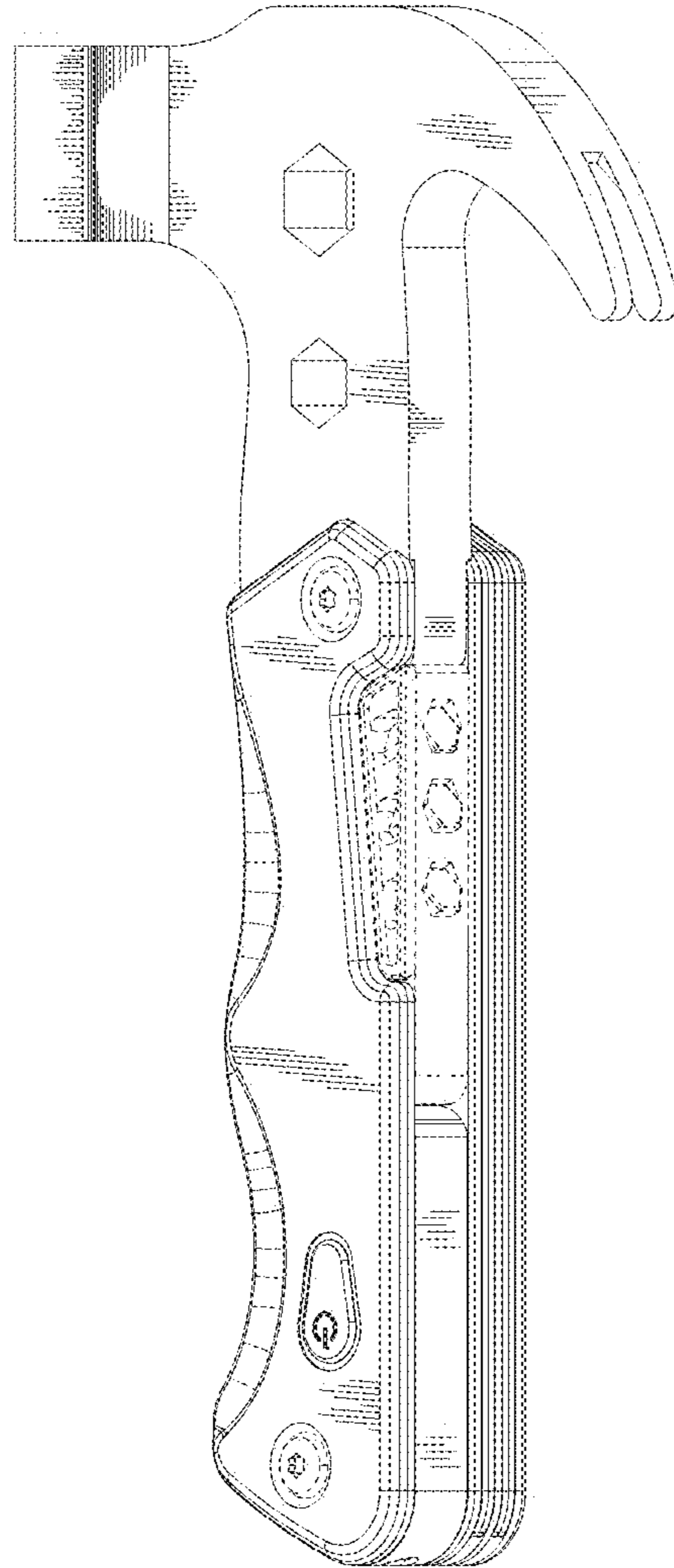


FIG. 1

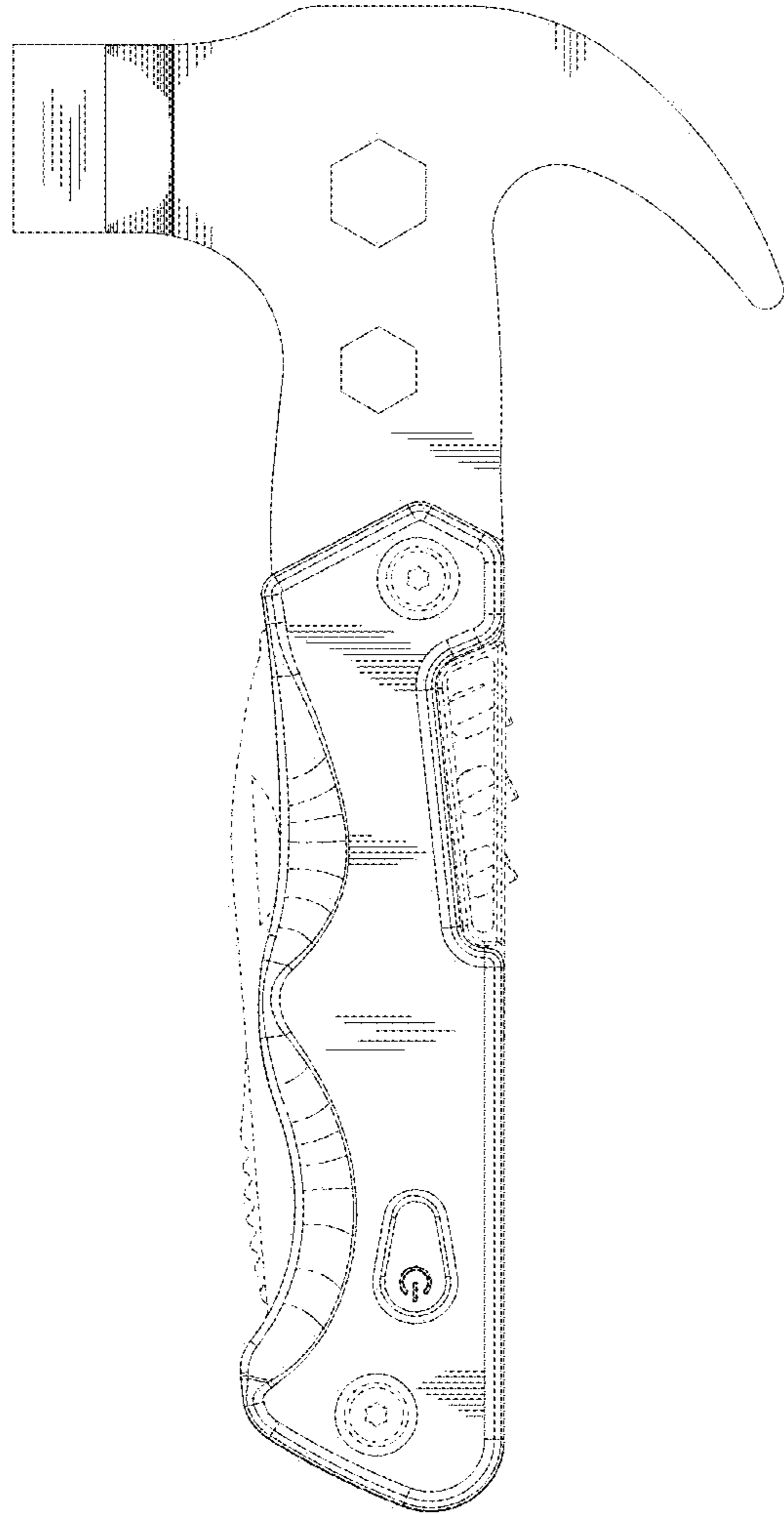


FIG.2

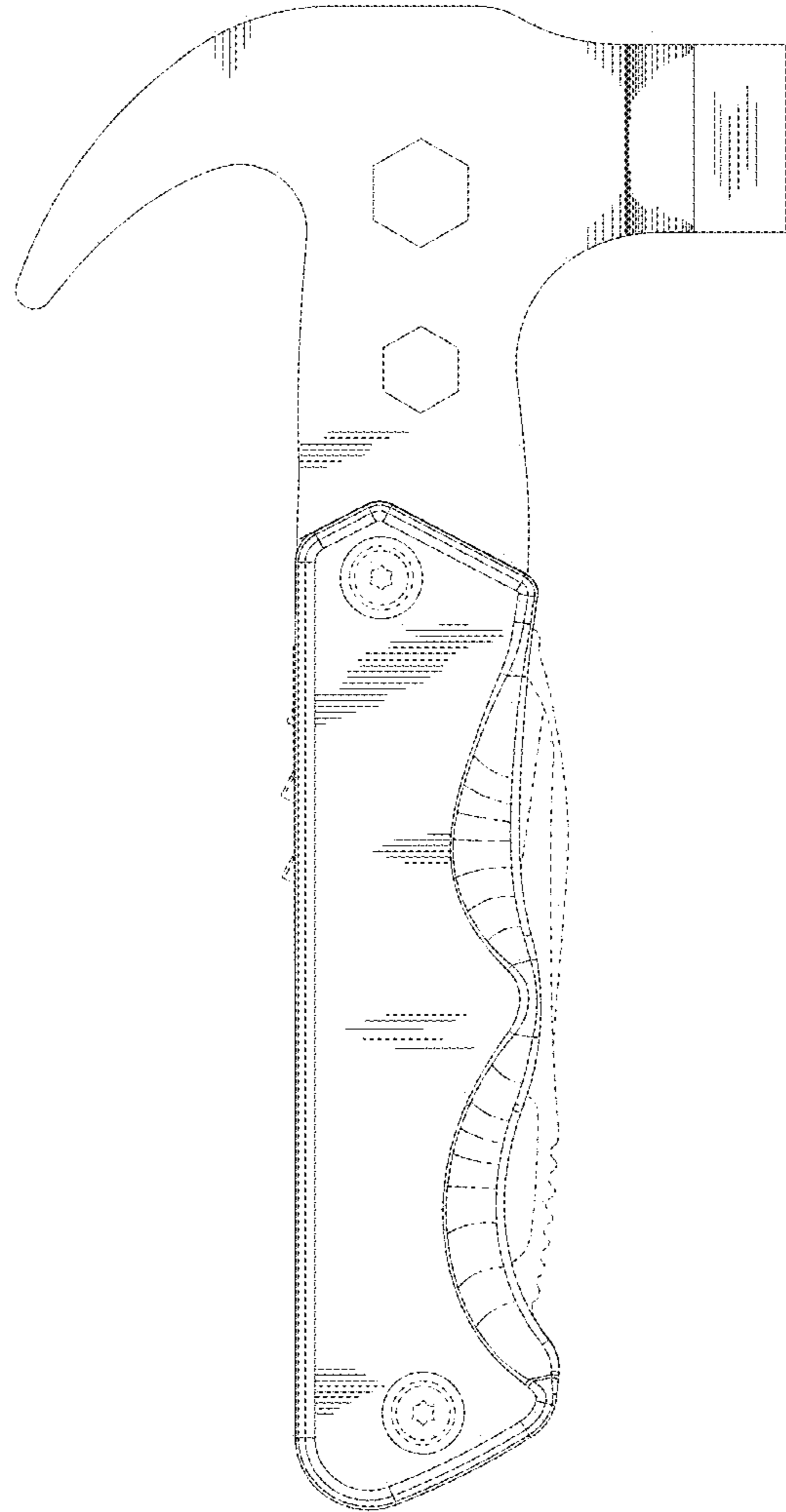


FIG.3

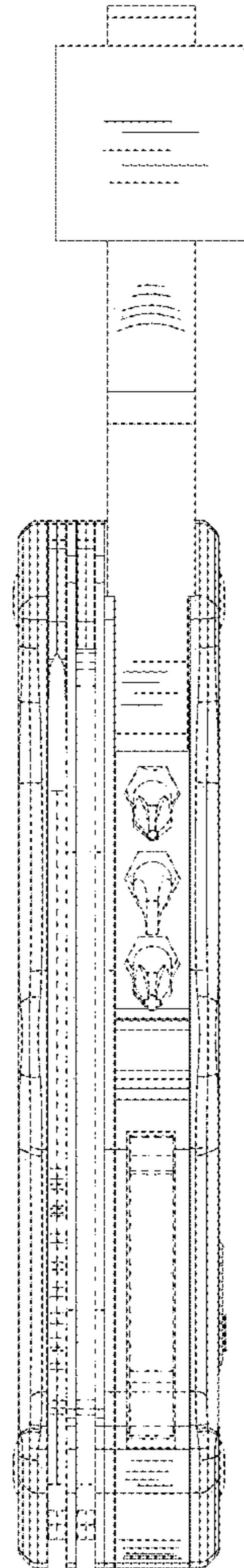


FIG.4

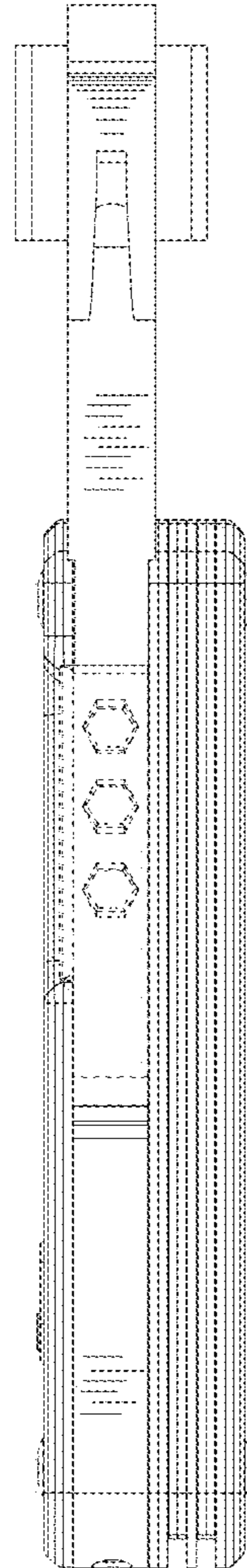


FIG.5

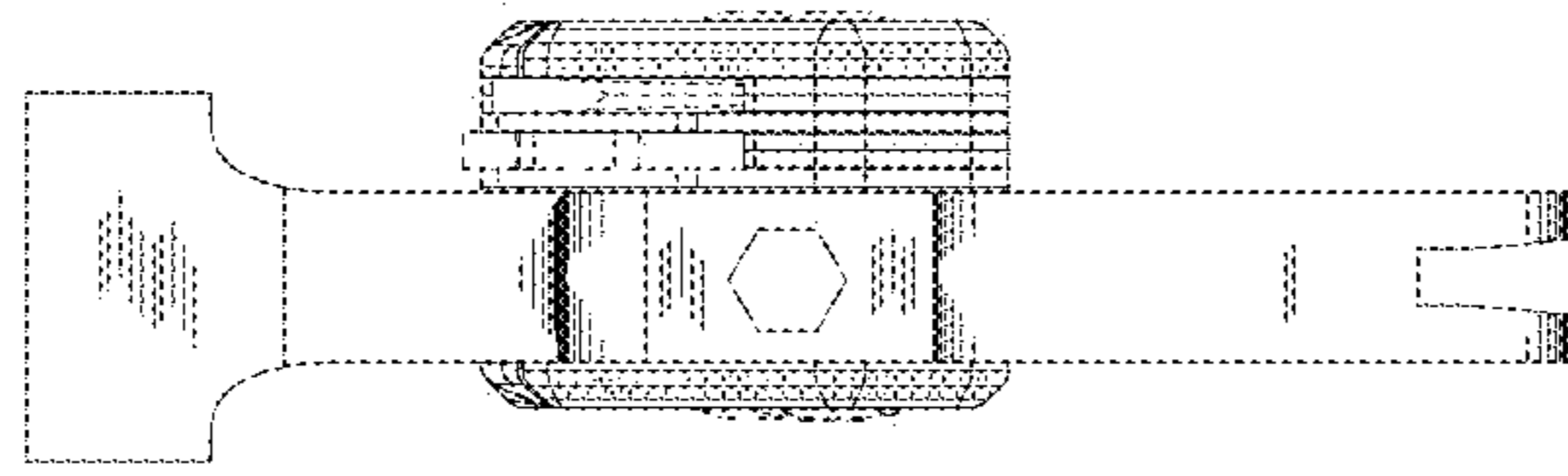


FIG.6

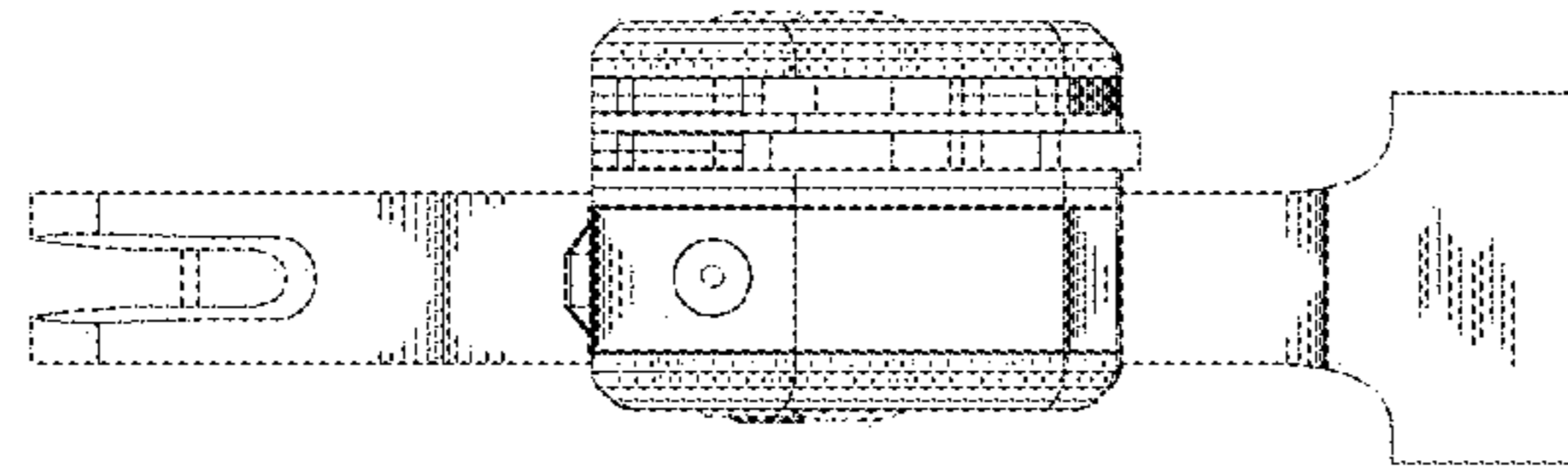


FIG. 7

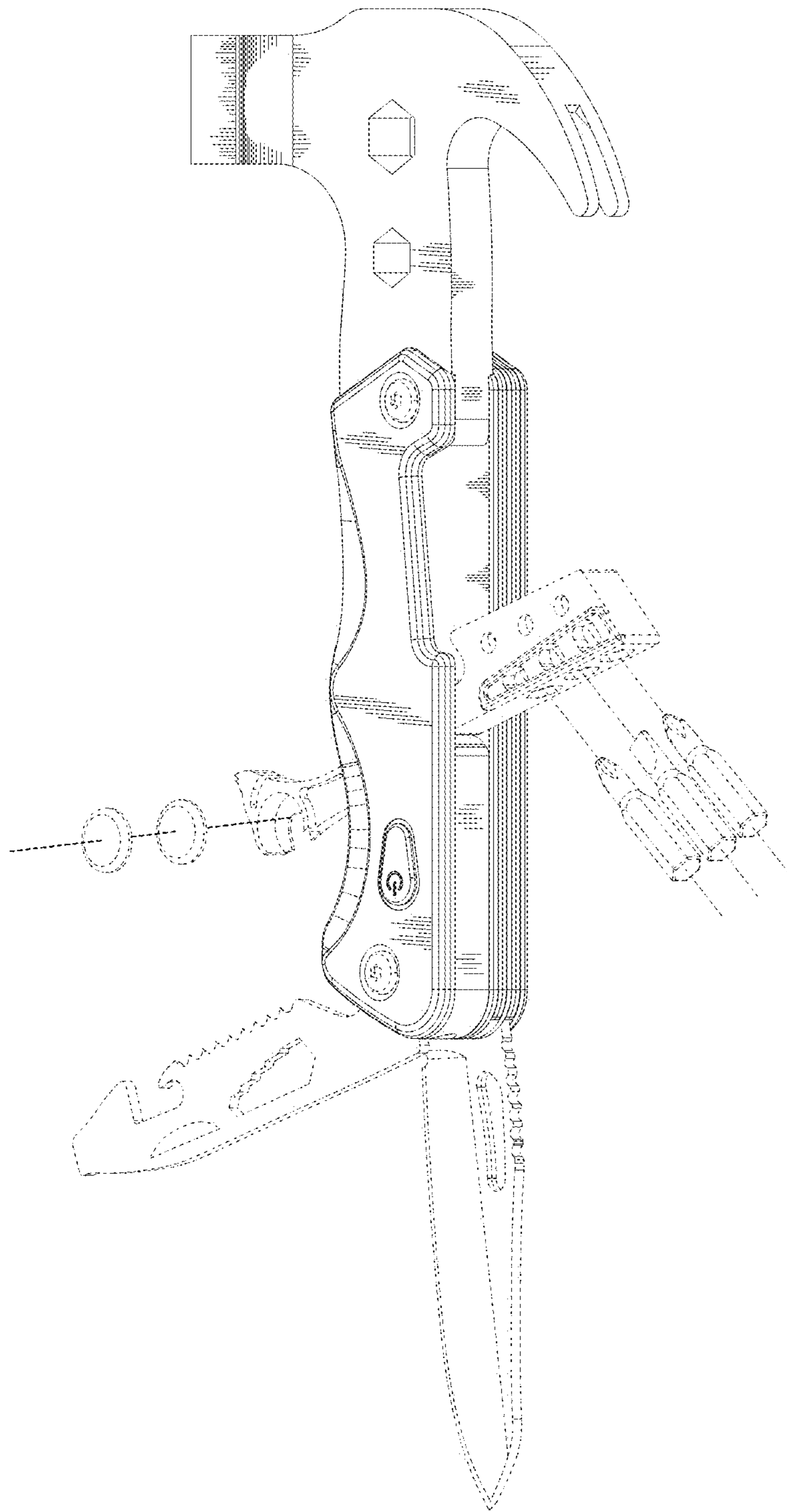


FIG.8

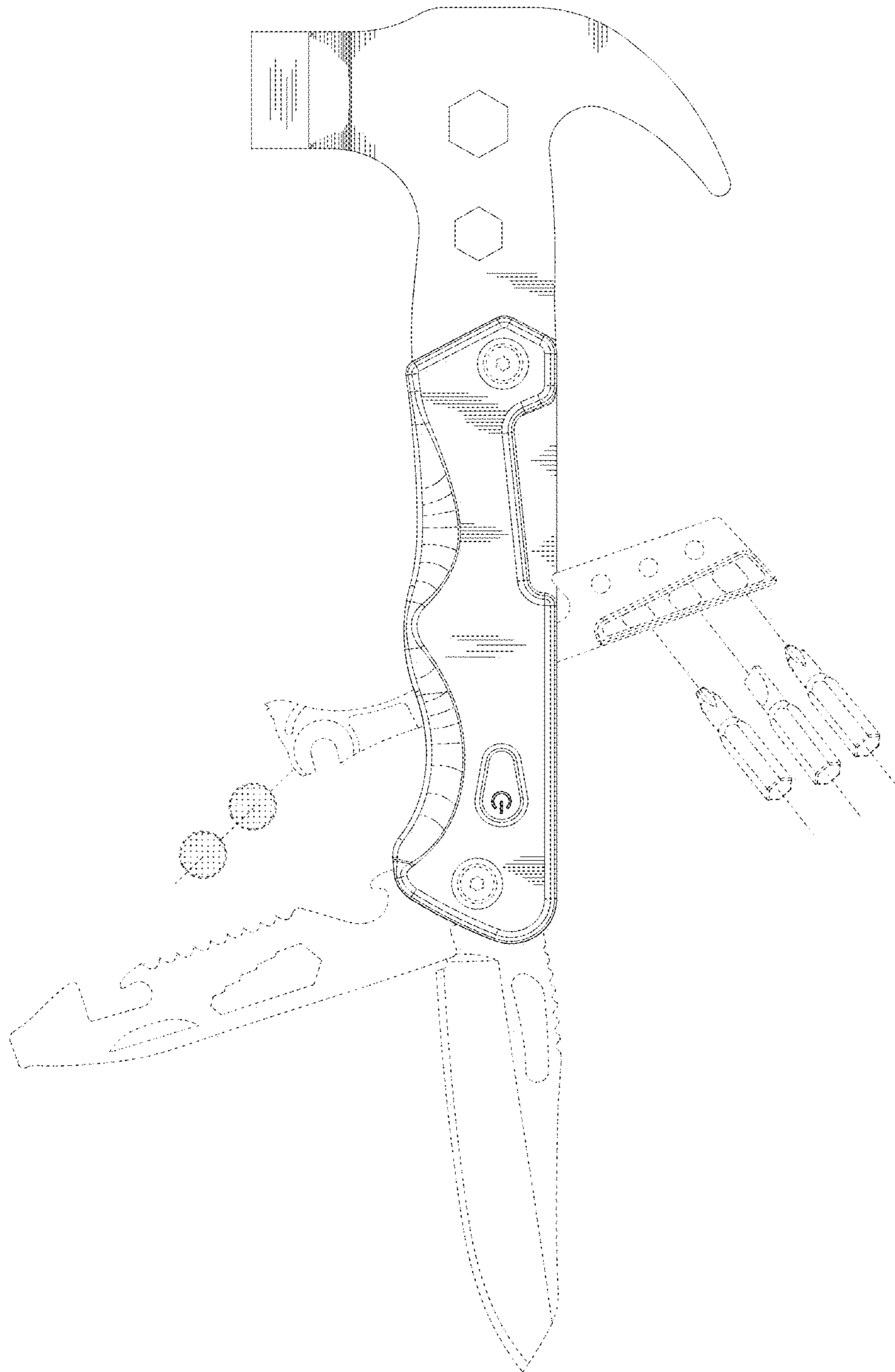


FIG.9

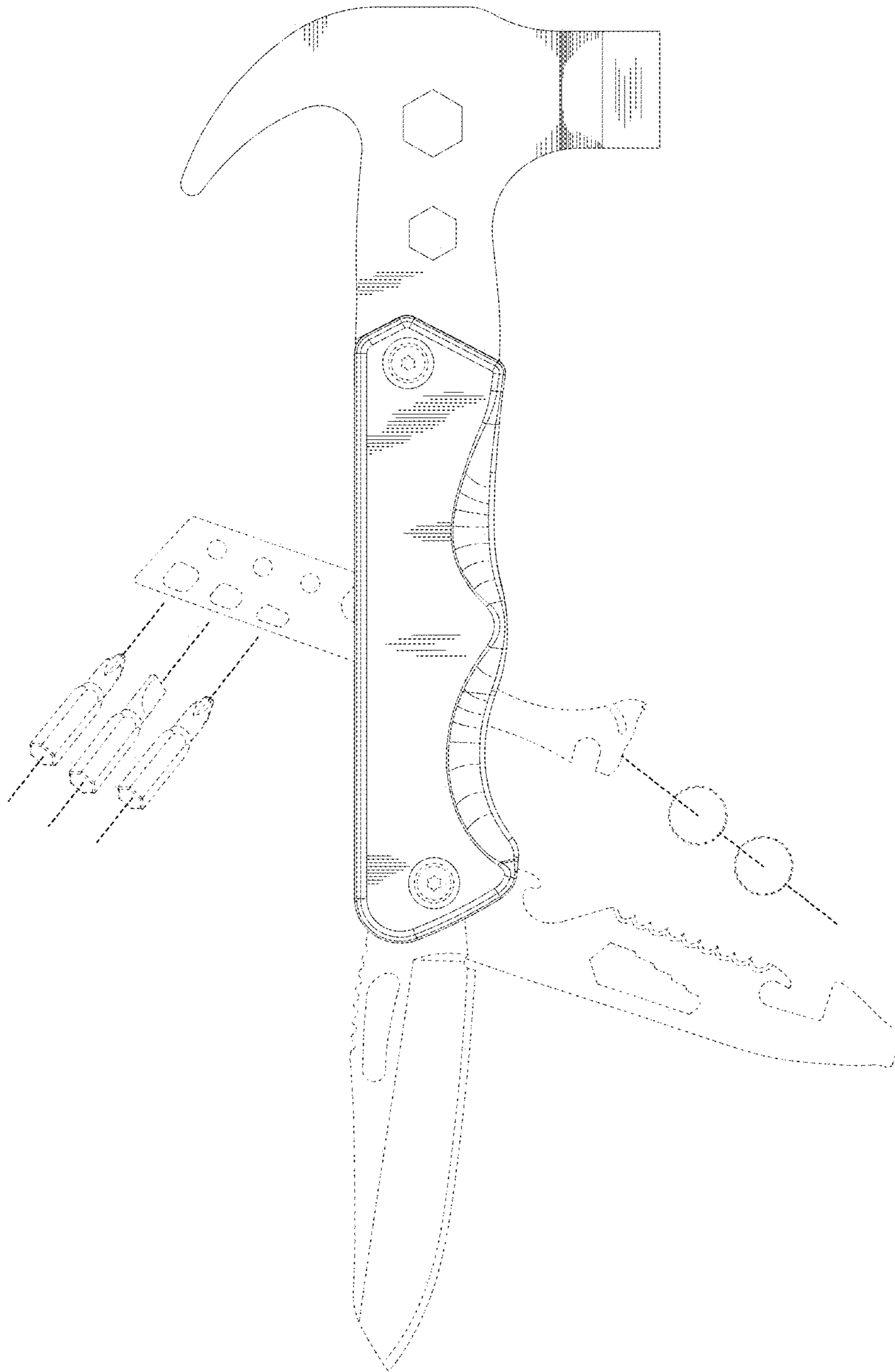


FIG.10