



US00D950350S

(12) **United States Design Patent**
Lin

(10) **Patent No.:** **US D950,350 S**

(45) **Date of Patent:** **** May 3, 2022**

(54) **TOOL CARD**

(71) Applicant: **Xiaohua Lin**, Yangjiang (CN)

(72) Inventor: **Xiaohua Lin**, Yangjiang (CN)

(**) Term: **15 Years**

(21) Appl. No.: **29/767,376**

(22) Filed: **Jan. 22, 2021**

(30) **Foreign Application Priority Data**

Jan. 11, 2021 (CN) 202130015680.5

(51) **LOC (13) Cl.** **08-05**

(52) **U.S. Cl.**

USPC **D8/105**

(58) **Field of Classification Search**

USPC D8/105, 16-19, 21, 26

CPC B25F 1/00; B25F 1/02

See application file for complete search history.

(56) **References Cited**

U.S. PATENT DOCUMENTS

D160,645 S *	10/1950	Milo	81/460
D160,646 S *	10/1950	Milo	D8/105
4,037,275 A *	7/1977	Schor	B25F 1/00
			81/437
4,899,409 A *	2/1990	Cox, Jr.	B08B 9/021
			15/104.04
D344,664 S *	3/1994	Malkinson	D8/85
D353,759 S *	12/1994	Flynn	D8/18
D399,716 S *	10/1998	Carr	D8/31
D403,227 S *	12/1998	Tseng	D8/87

D527,245 S * 8/2006 Kelleghan D8/356

D674,265 S * 1/2013 Greer D8/85

D779,296 S * 2/2017 Runnels B25F 1/00

D8/17

D885,160 S * 5/2020 Yang D8/105

2013/0014616 A1* 1/2013 Putsch B25B 13/56

81/177.1

2018/0009091 A1* 1/2018 Chang B25B 15/007

2020/0078830 A1* 3/2020 Swinnerton H01R 43/002

* cited by examiner

Primary Examiner — Janice Hallmark

(74) *Attorney, Agent, or Firm* — Bayramoglu Law Offices LLC

(57) **CLAIM**

The ornamental design for a tool card, as shown and described.

DESCRIPTION

FIG. 1 is a front perspective view of a tool card showing my new design;

FIG. 2 is a front view thereof;

FIG. 3 is a right view thereof;

FIG. 4 is a left side view thereof;

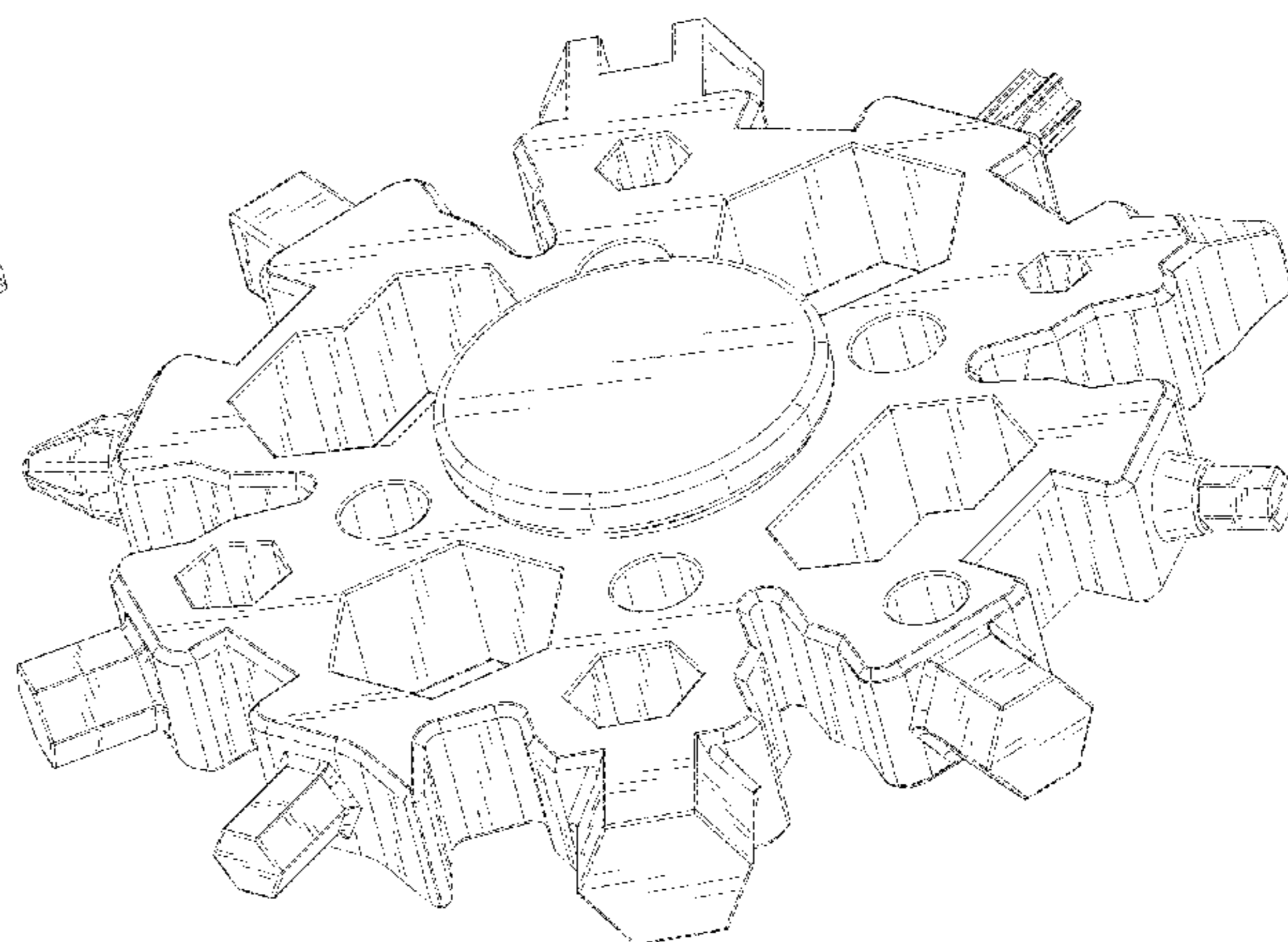
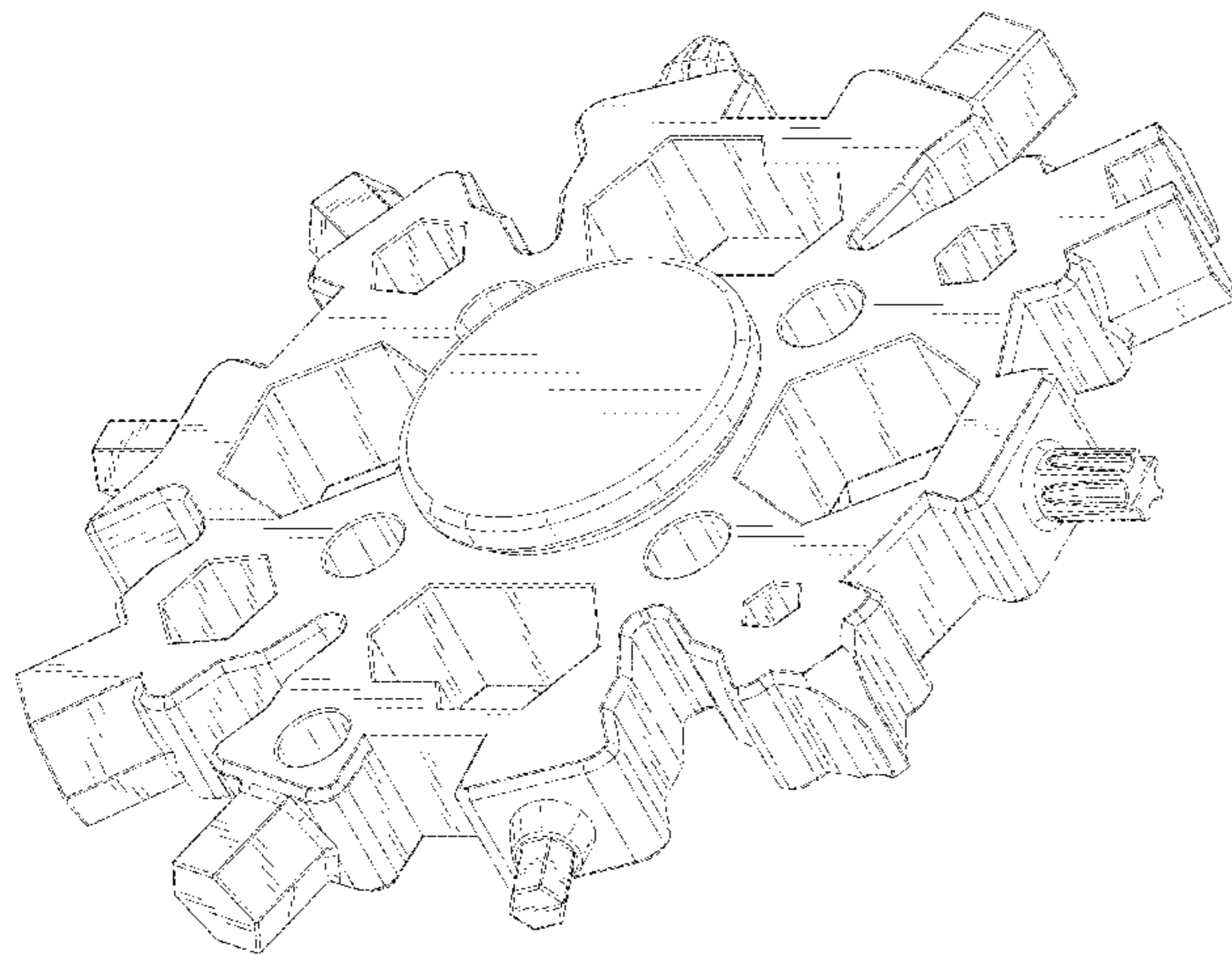
FIG. 5 is a bottom view thereof;

FIG. 6 is a top view thereof; and,

FIG. 7 is a rear perspective view thereof.

A rear view is omitted since the rear view is a mirror image of the front view.

1 Claim, 7 Drawing Sheets



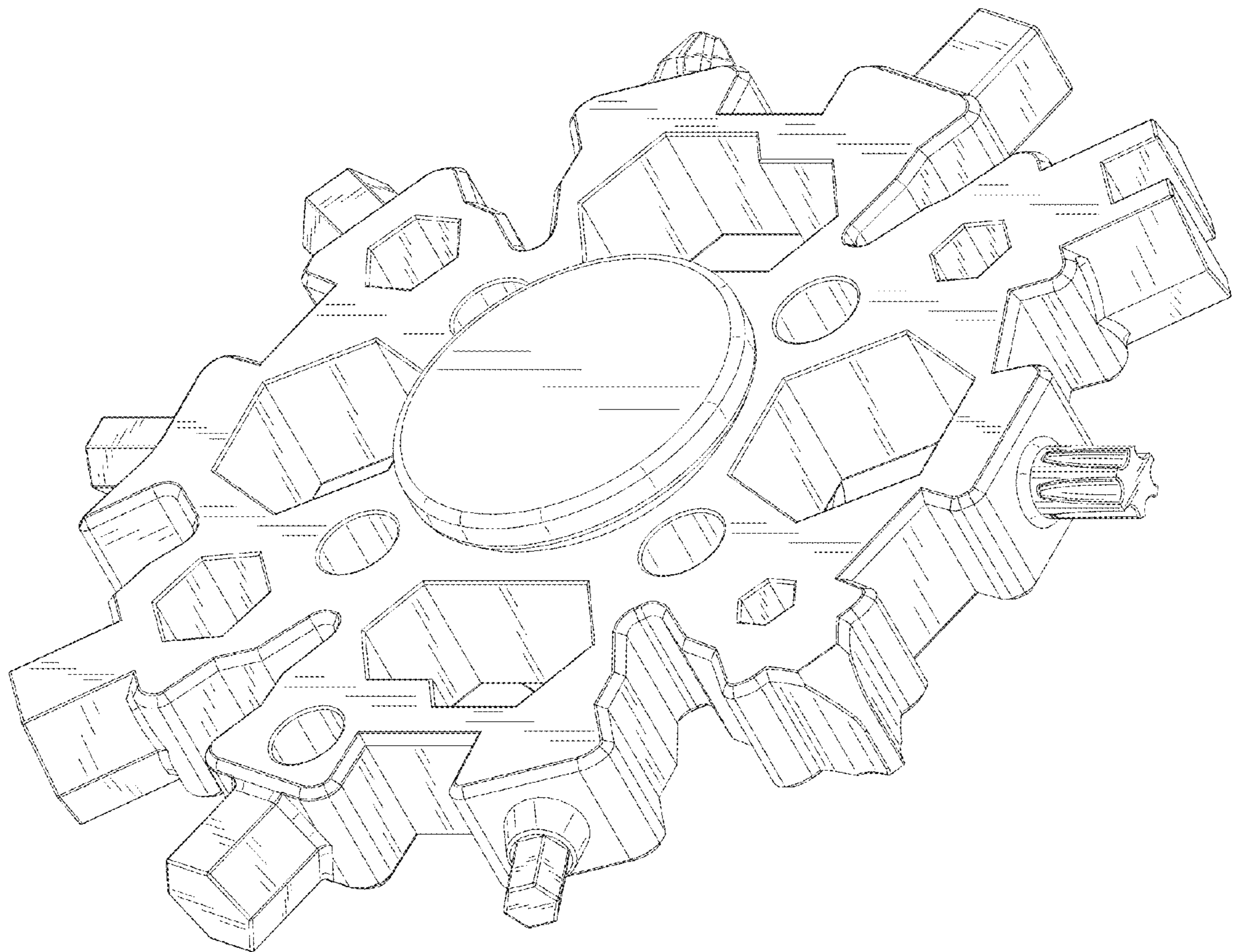


FIG. 1

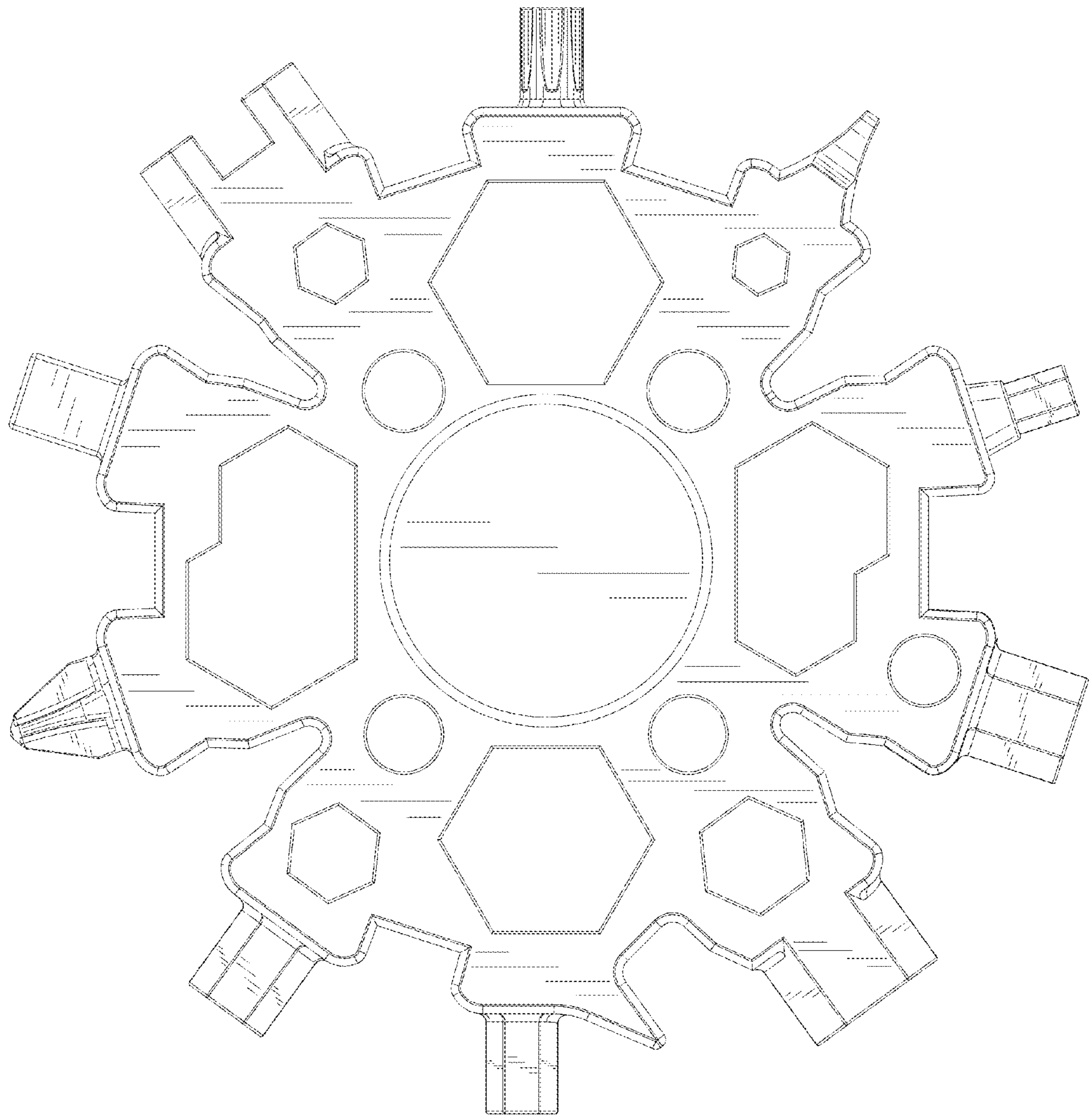


FIG. 2

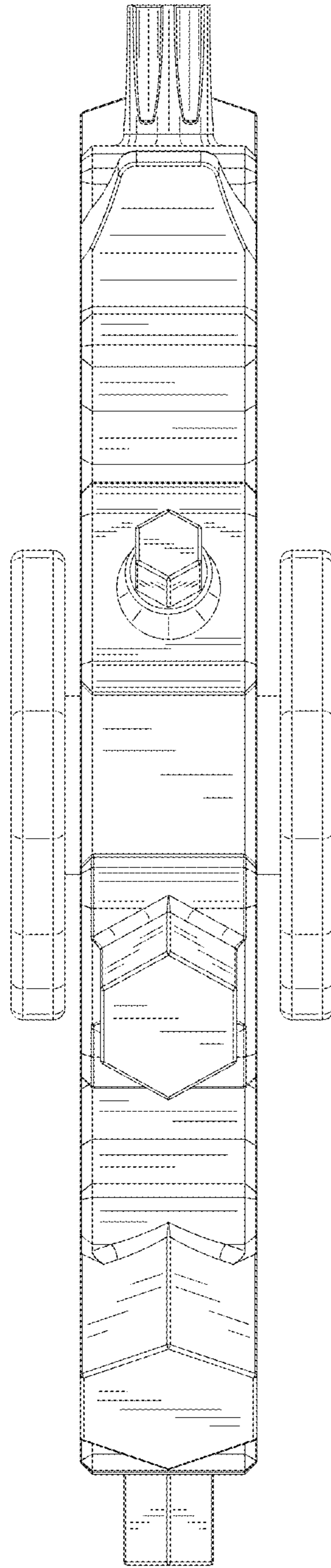


FIG. 3

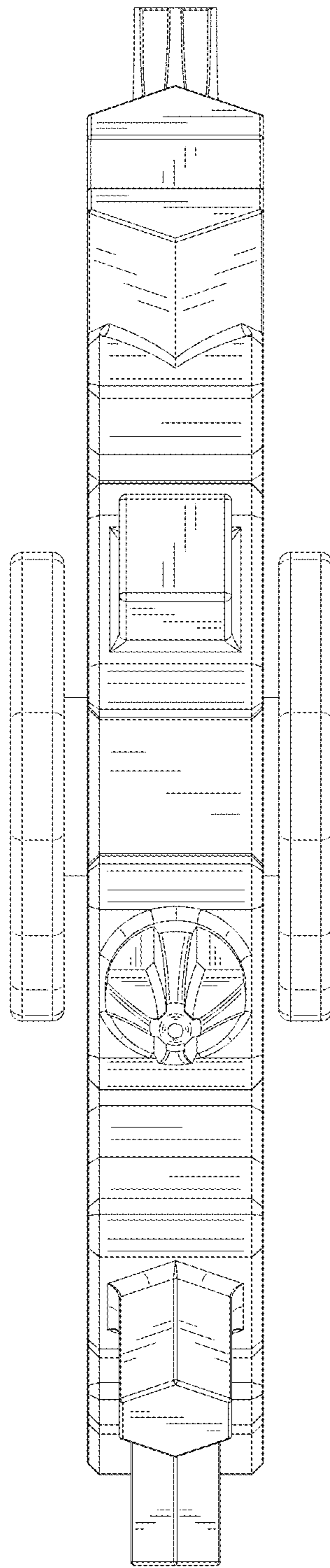


FIG. 4

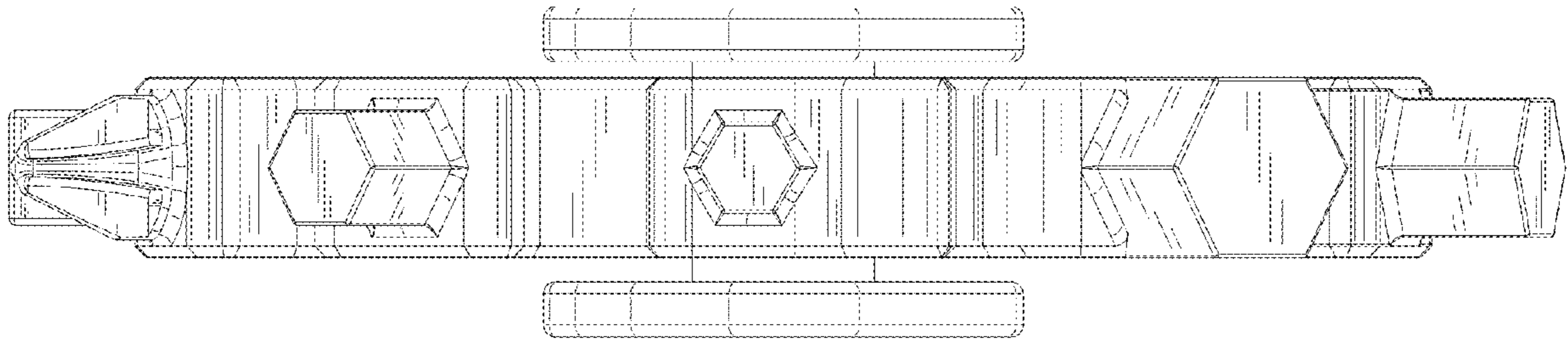


FIG. 5

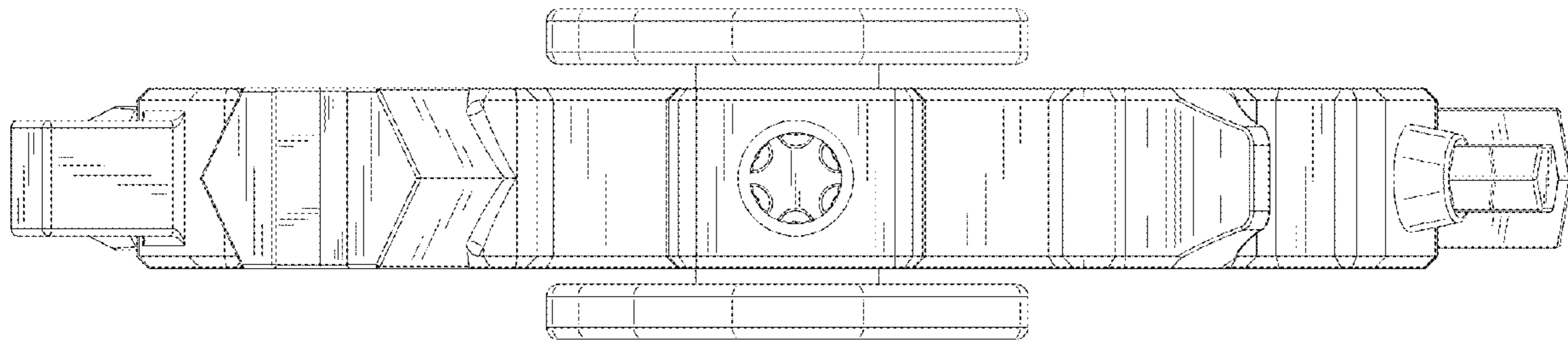


FIG. 6

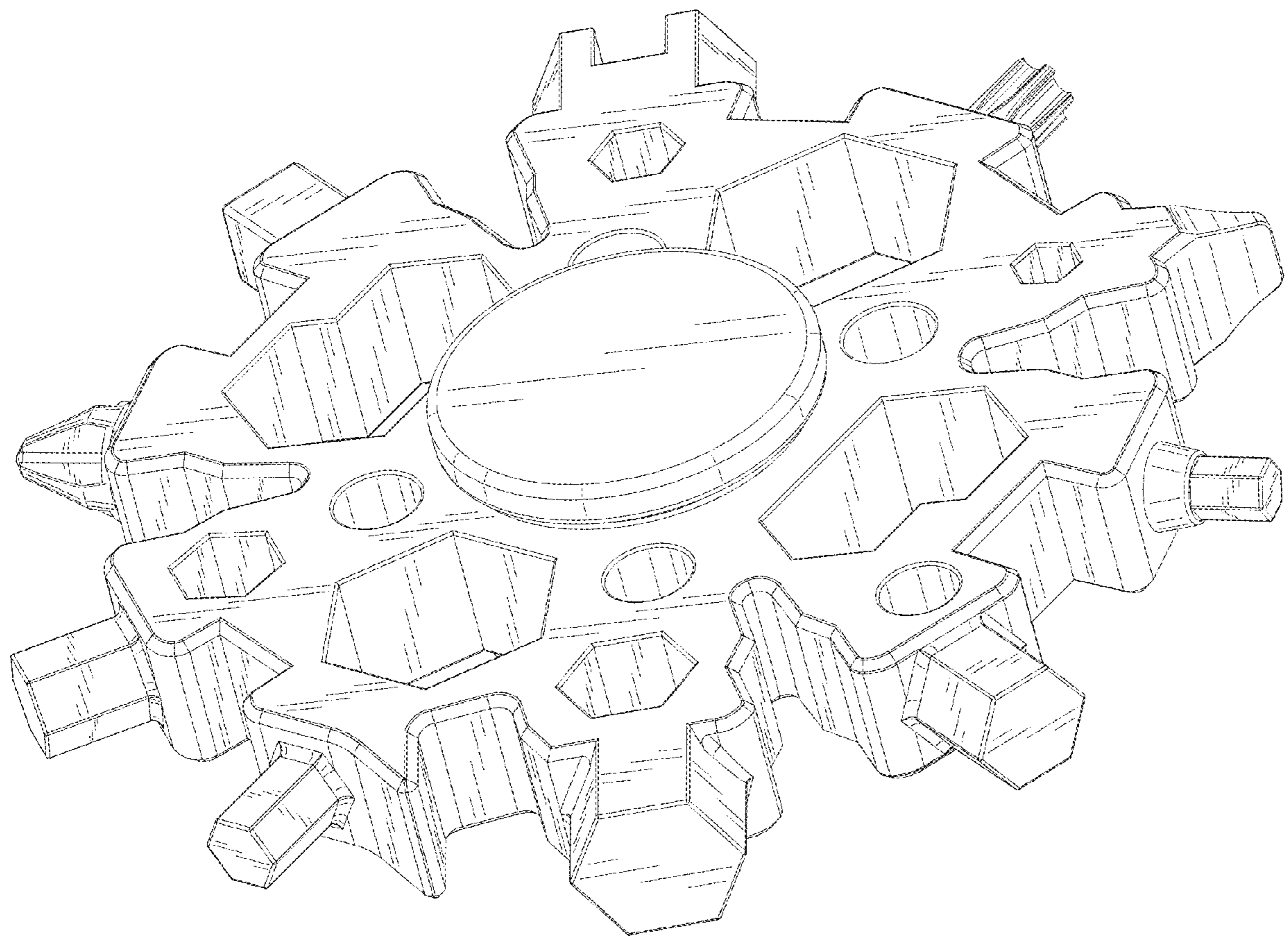


FIG. 7