



US00D950348S

(12) **United States Design Patent**
Hutchens

(10) **Patent No.:** **US D950,348 S**

(45) **Date of Patent:** **** May 3, 2022**

- (54) **TREE SAW**
- (71) Applicant: **Coast Cutlery Co.**, Portland, OR (US)
- (72) Inventor: **Douglas R. Hutchens**, Portland, OR (US)
- (73) Assignee: **Coast Cutlery Co.**, Portland, OR (US)
- (**) Term: **15 Years**

4,328,848 A *	5/1982	Miller	B23D 49/12	30/507
4,361,177 A *	11/1982	Miller	B23D 51/03	30/512
D307,382 S *	4/1990	Englund	D8/97	
5,208,986 A *	5/1993	Ryon	B23D 51/03	24/455
D379,292 S *	5/1997	Schaffer	D8/96	
9,623,499 B2 *	4/2017	Beck	B23D 51/01	
2016/0016238 A1 *	1/2016	Beck	B27B 21/06	30/512

- (21) Appl. No.: **29/740,967**
- (22) Filed: **Jul. 8, 2020**
- (51) **LOC (13) Cl.** **08-03**
- (52) **U.S. Cl.**
USPC **D8/97**
- (58) **Field of Classification Search**
USPC D8/9, 14, 95, 96, 97, 98, 99, 107
CPC B23D 51/125; B23D 51/03; B23D 51/01;
B23D 51/08; B23D 51/10
See application file for complete search history.

* cited by examiner

Primary Examiner — Philip S Hyder

(74) *Attorney, Agent, or Firm* — Schwabe Williamson & Wyatt, P.C.

(57) **CLAIM**

I claim the ornamental design for a tree saw, as shown and described.

DESCRIPTION

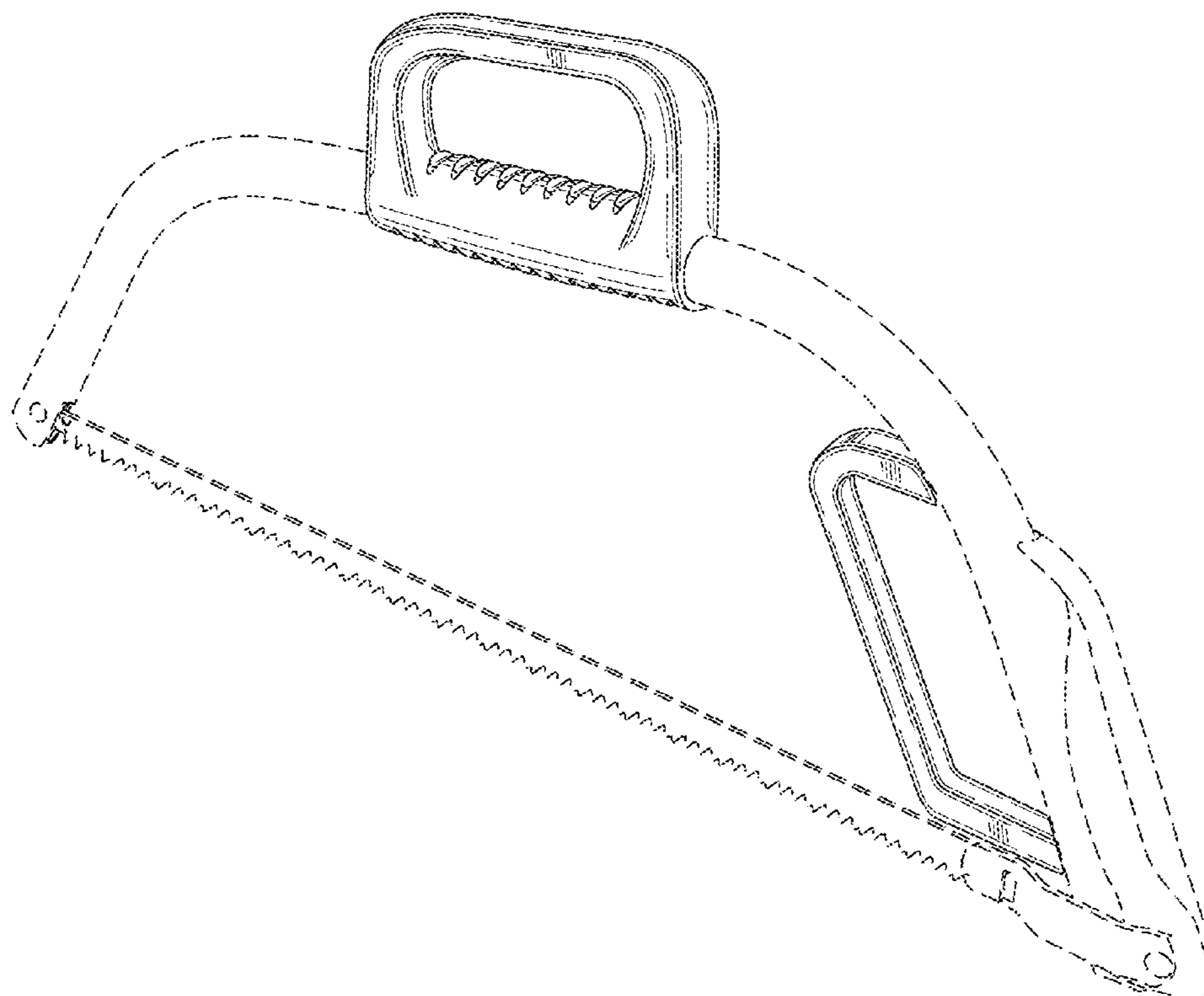
FIG. 1 is a perspective view of the tree saw from an upper rear angle;
 FIG. 2 is a perspective view of FIG. 1 from a lower front angle;
 FIG. 3 is side elevation view of FIG. 1;
 FIG. 4 is a top view of FIG. 1;
 FIG. 5 is a bottom view of FIG. 1;
 FIG. 6 is an end view of FIG. 1 from the front; and,
 FIG. 7 is an end view of FIG. 1 from the rear.
 The broken lines show portions of the article, which form no part of the claimed design.

(56) **References Cited**

U.S. PATENT DOCUMENTS

1,484,168 A *	2/1924	Bertas	B23D 51/14	30/513
1,949,196 A *	2/1934	Youlten	B23D 51/125	30/510
2,613,709 A *	10/1952	Eaton	B23D 51/02	30/513
2,634,994 A *	4/1953	Legassey	B23D 49/12	403/295

1 Claim, 2 Drawing Sheets



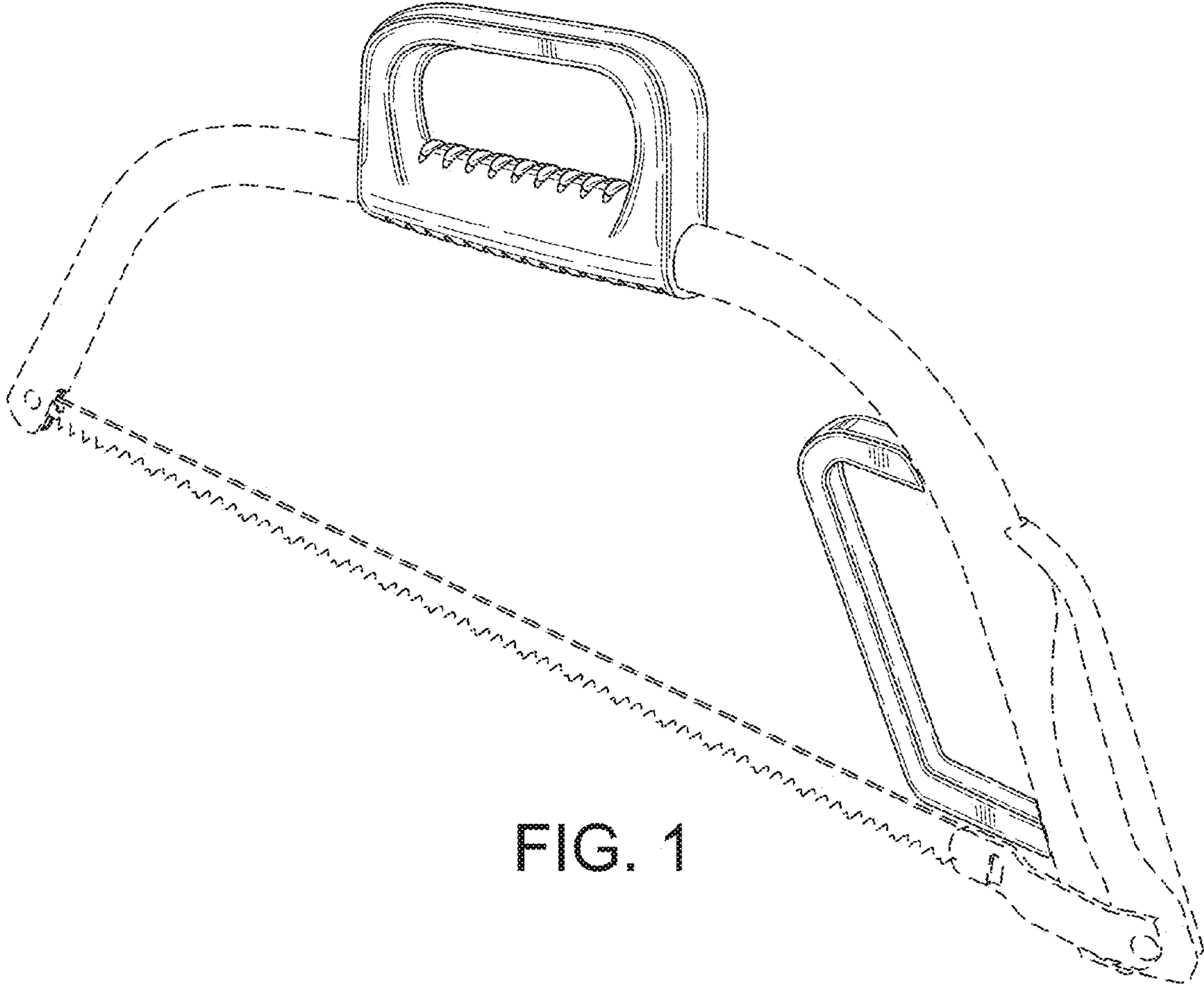


FIG. 1

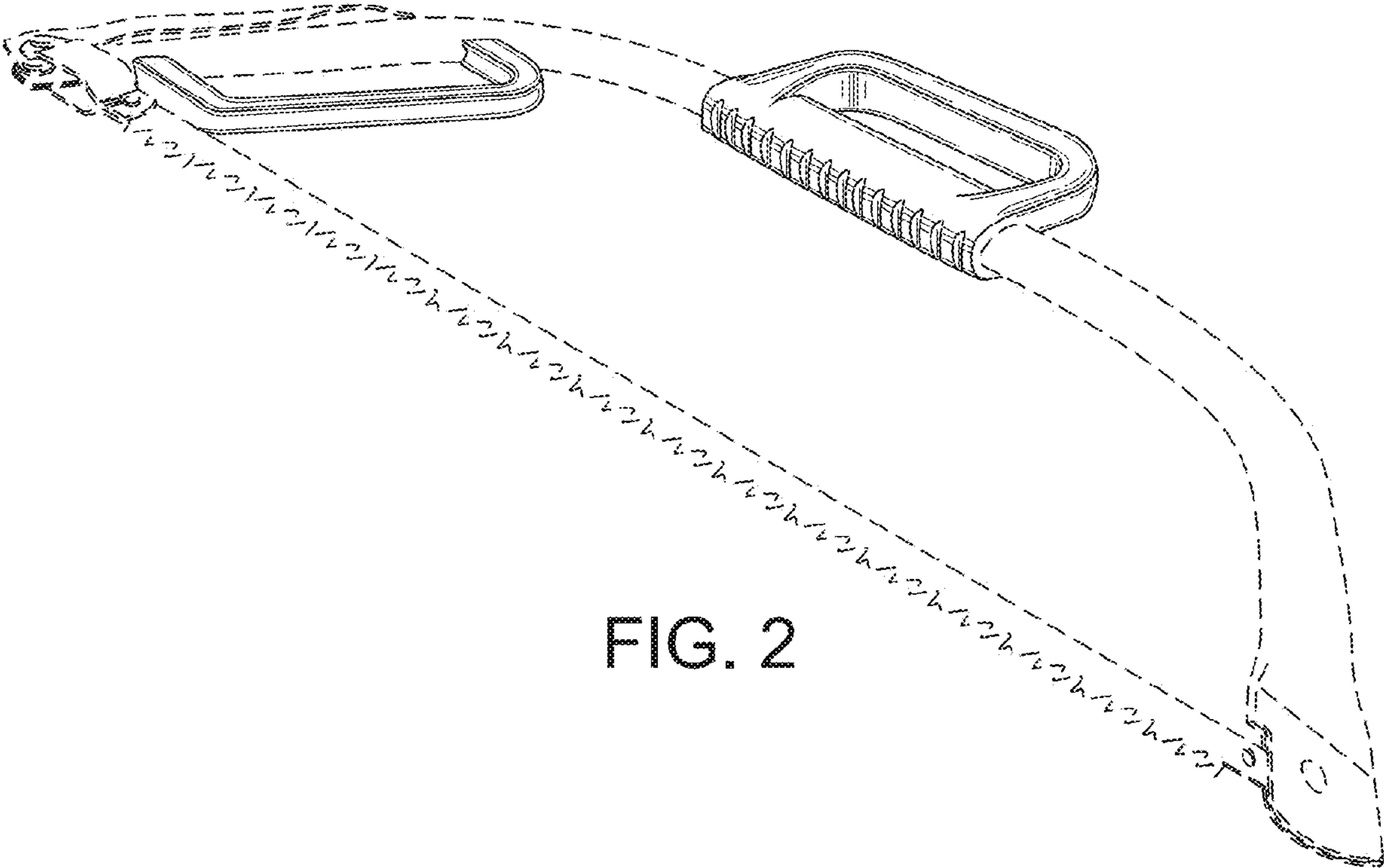


FIG. 2

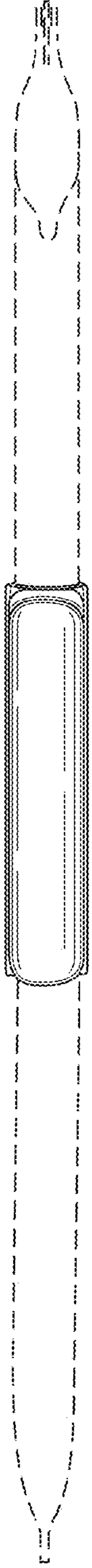


FIG. 4

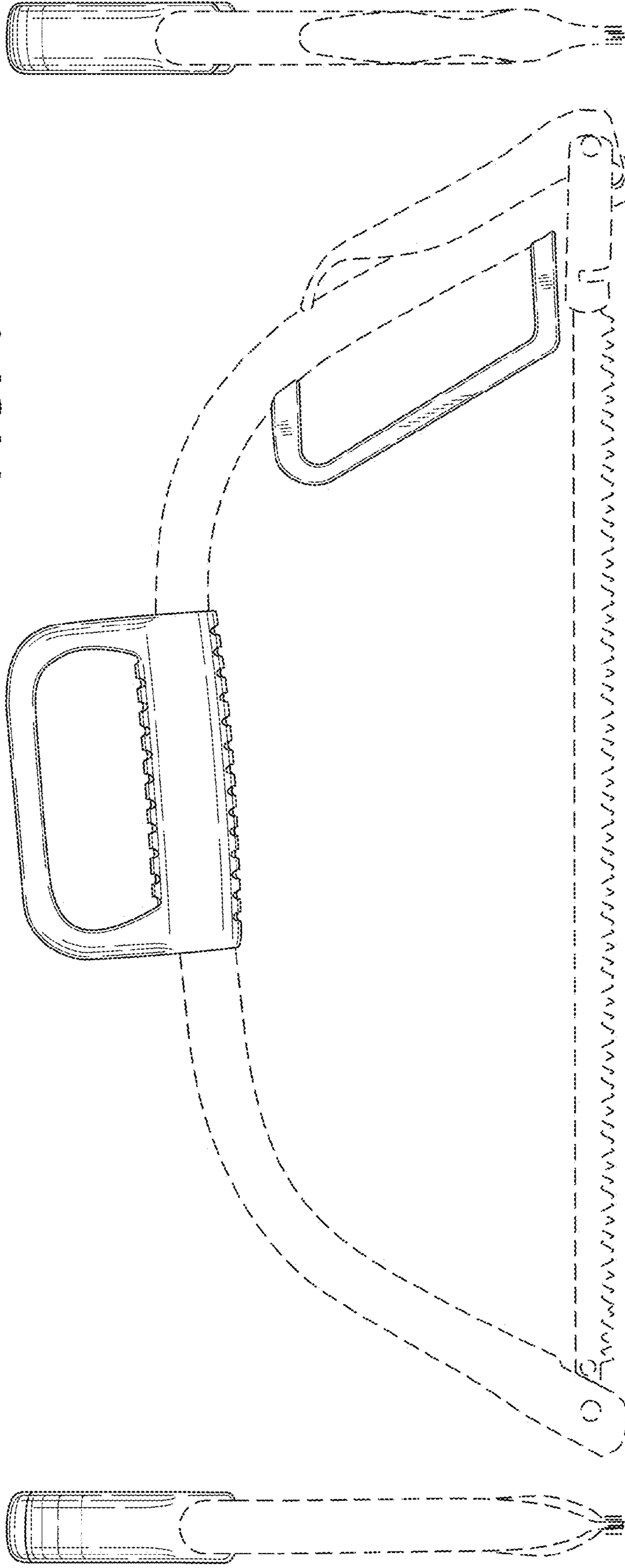


FIG. 3

FIG. 7

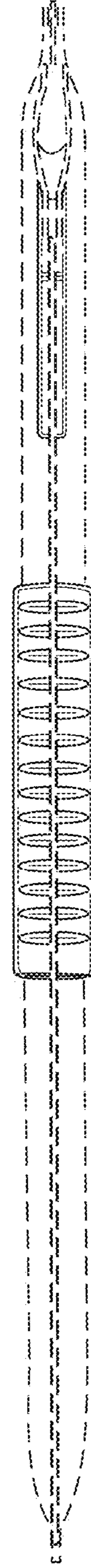


FIG. 5

FIG. 6