



US00D950346S

(12) **United States Design Patent**  
**Zheng**

(10) **Patent No.:** **US D950,346 S**

(45) **Date of Patent:** **\*\* May 3, 2022**

- (54) **HACKSAW FRAME**
- (71) Applicant: **Seven Continents International Trade Co., Ltd.**, Kowloon (CN)
- (72) Inventor: **Fenglan Zheng**, Kowloon (CN)
- (\*\*) Term: **15 Years**
- (21) Appl. No.: **29/797,996**
- (22) Filed: **Jul. 5, 2021**
- (51) **LOC (13) Cl.** ..... **08-03**
- (52) **U.S. Cl.**  
USPC ..... **D8/95**; D8/97
- (58) **Field of Classification Search**  
USPC ..... D8/14, 95, 96, 97, 98, 99, 105  
CPC ..... B23D 49/12; B23D 49/10; B23D 49/11  
See application file for complete search history.

D551,532 S	9/2007	Huang	
7,269,905 B1 *	9/2007	Huang	..... B23D 49/14 30/507
D553,465 S *	10/2007	Ping	..... D8/97
D563,754 S *	3/2008	Ping	..... D8/96
D572,994 S *	7/2008	Ping	..... D8/97
7,516,554 B2 *	4/2009	Ping	..... B23D 49/10 30/507
D633,359 S	3/2011	Shih	
D633,360 S	3/2011	Shih	
8,613,146 B2 *	12/2013	Ebner	..... B23D 49/12 30/523

\* cited by examiner

*Primary Examiner* — Philip S Hyder

(74) *Attorney, Agent, or Firm* — Rumit Ranjit Kanakia

(57) **CLAIM**

The ornamental design for a hacksaw frame, as shown and described.

(56) **References Cited**

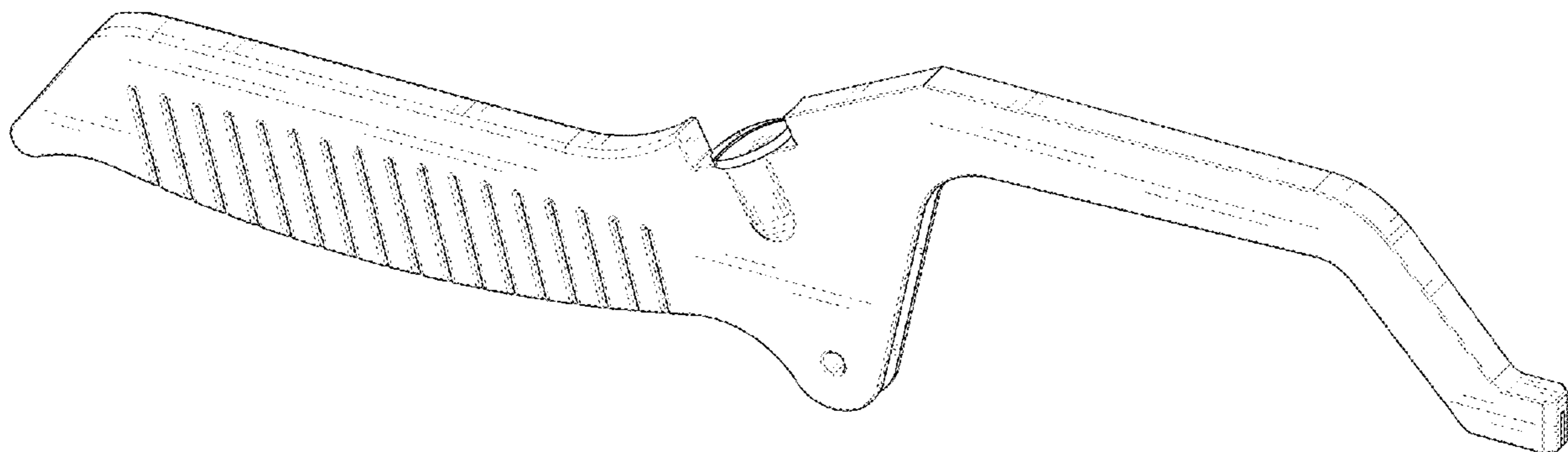
U.S. PATENT DOCUMENTS

D228,225 S *	8/1973	West	..... D8/97
3,756,298 A *	9/1973	West	..... B23D 49/14 30/507
D291,962 S *	9/1987	Johnson	..... D8/95
4,827,619 A *	5/1989	Alm	..... B23D 49/14 30/507
D307,536 S *	5/1990	Alm	..... D8/95
D359,436 S *	6/1995	Weimann	..... D8/97
D403,224 S	12/1998	Martin	
D409,892 S	5/1999	Juhlin	
D472,445 S	4/2003	Juhlin	
D475,600 S	6/2003	Huang	
6,711,825 B2 *	3/2004	Chen	..... B27B 21/02 30/523
D504,802 S	5/2005	Heneen	
D514,418 S	2/2006	Critelli	
D519,350 S	4/2006	Critelli	

**DESCRIPTION**

FIG. 1 is a front elevational view of a hacksaw frame showing my new design;  
 FIG. 2 is a rear elevational view thereof; and  
 FIG. 3 is a left side view thereof;  
 FIG. 4 is a right side view thereof;  
 FIG. 5 is a top plan view thereof;  
 FIG. 6 is a bottom plan view thereof;  
 FIG. 7 is a perspective view of a hacksaw frame showing my new design;  
 FIG. 8 is the second perspective view thereof; and,  
 FIG. 9 is the third perspective view thereof.  
 The broken lines in the figures are for the purposes of illustrating portions of the hacksaw frame, which form no part of the claimed design.

**1 Claim, 9 Drawing Sheets**



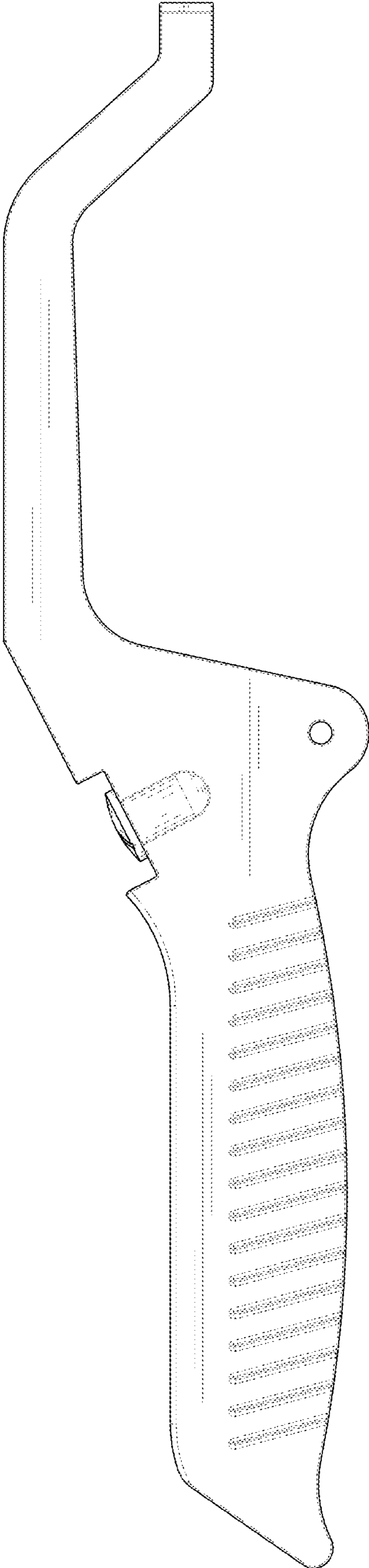


FIG. 1

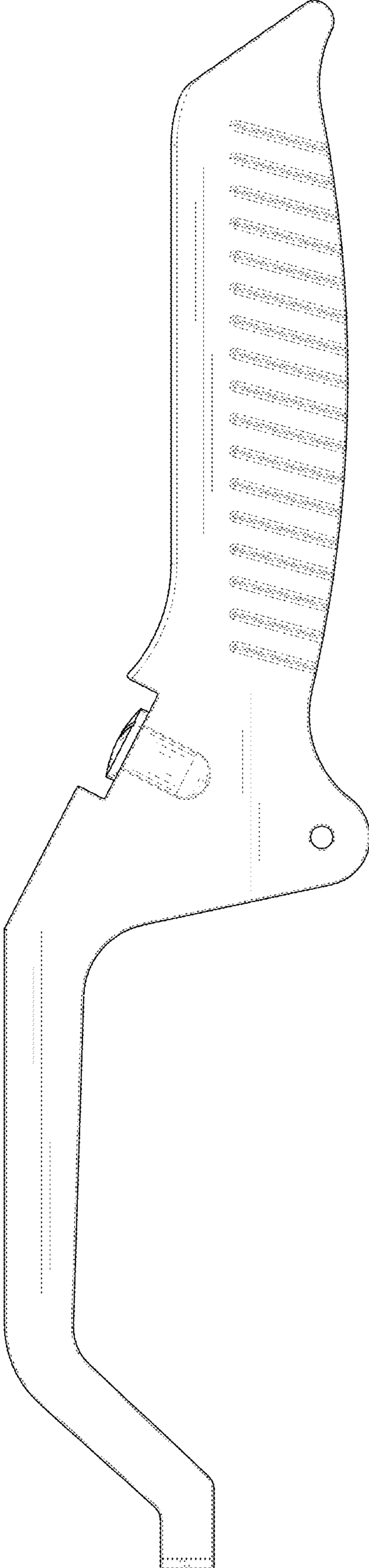


FIG. 2

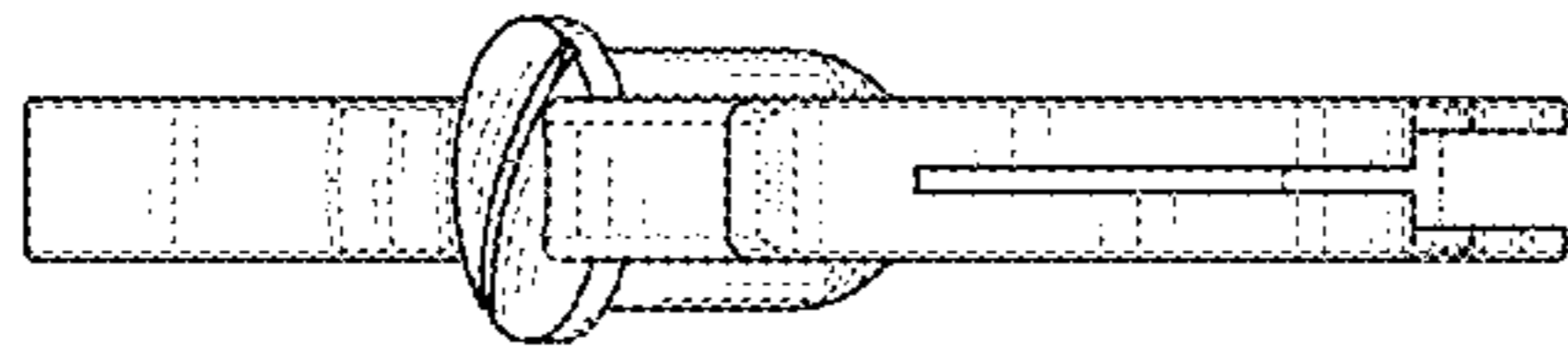


FIG. 3

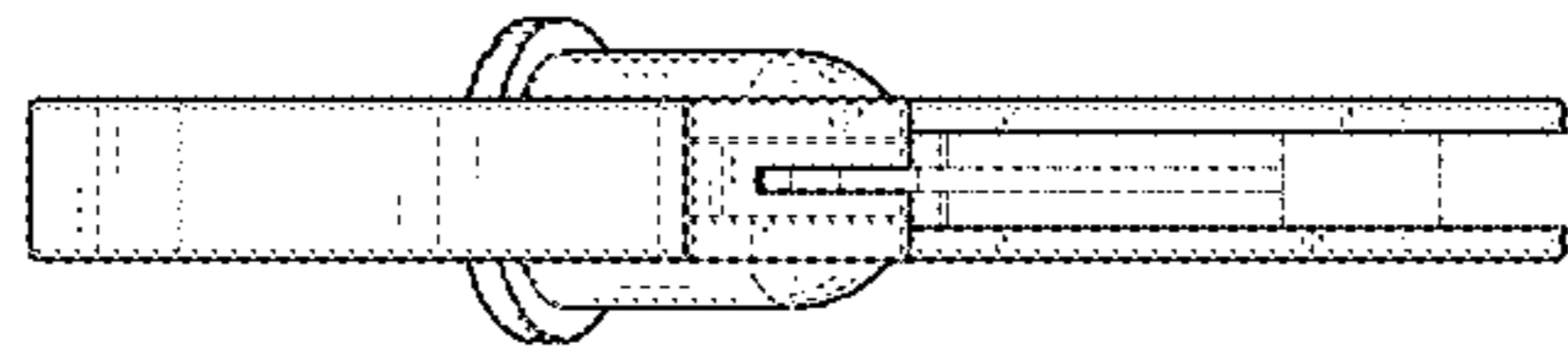


FIG. 4

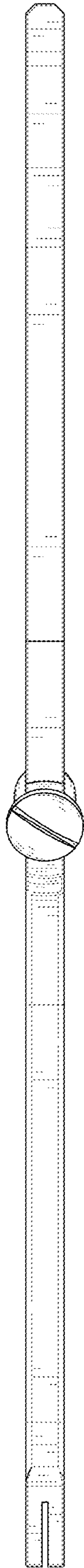


FIG. 5

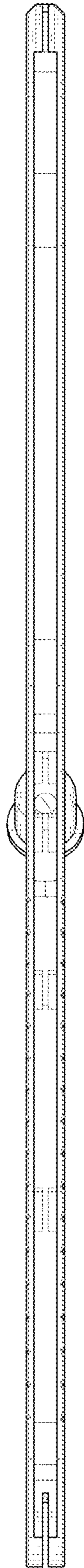


FIG. 6

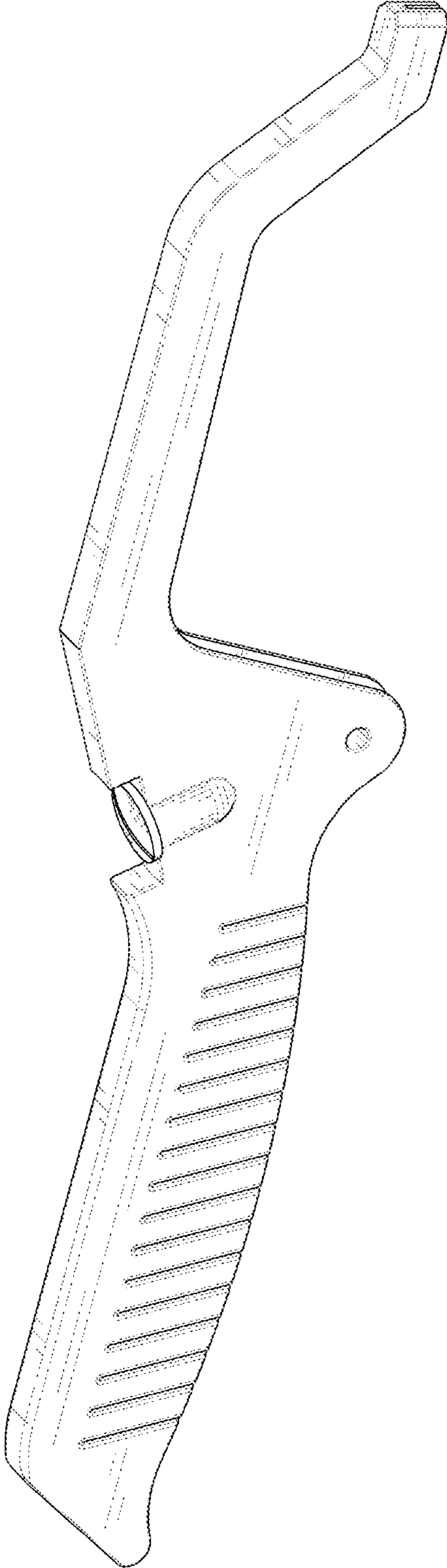


FIG. 7



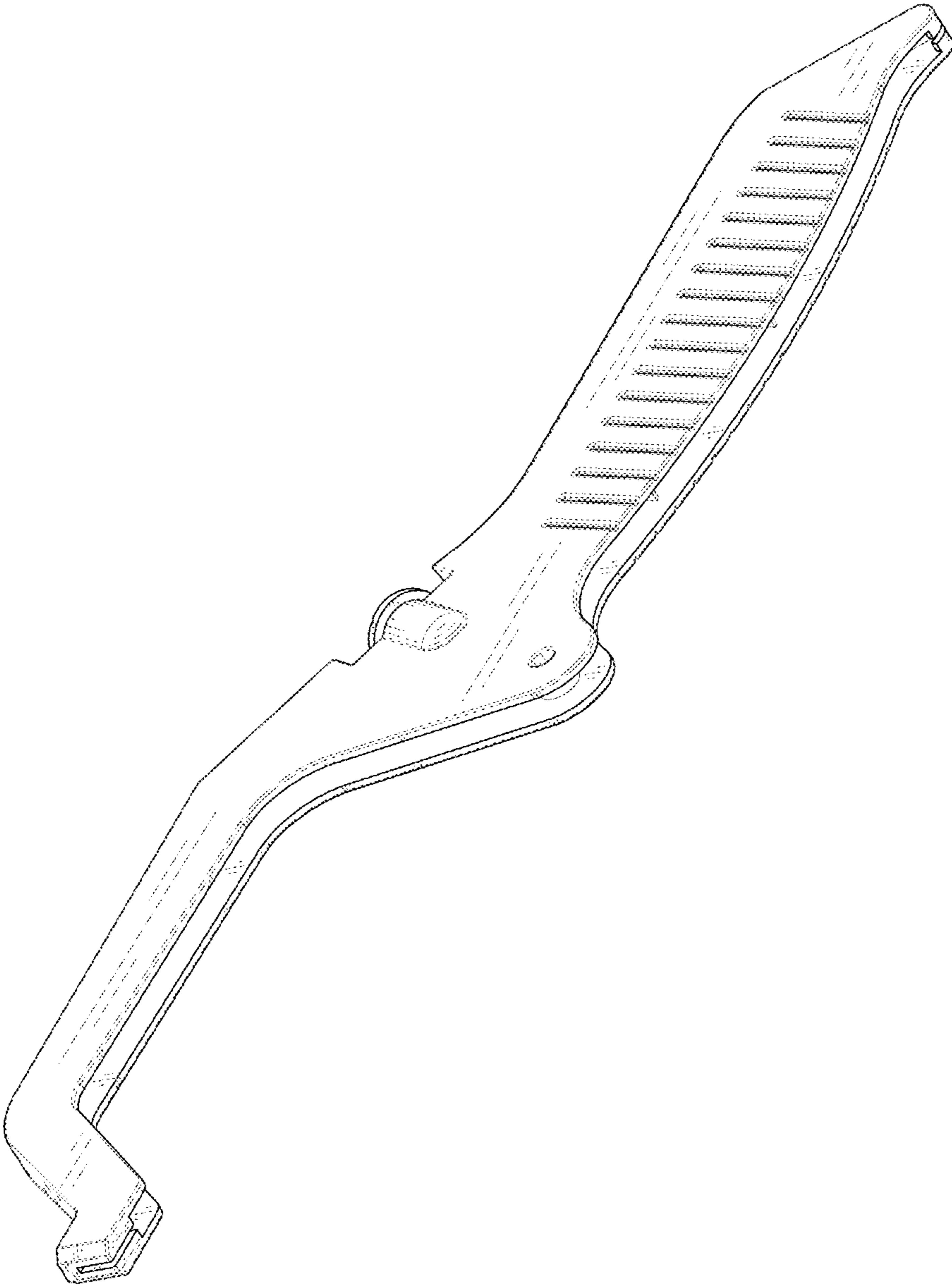


FIG. 8

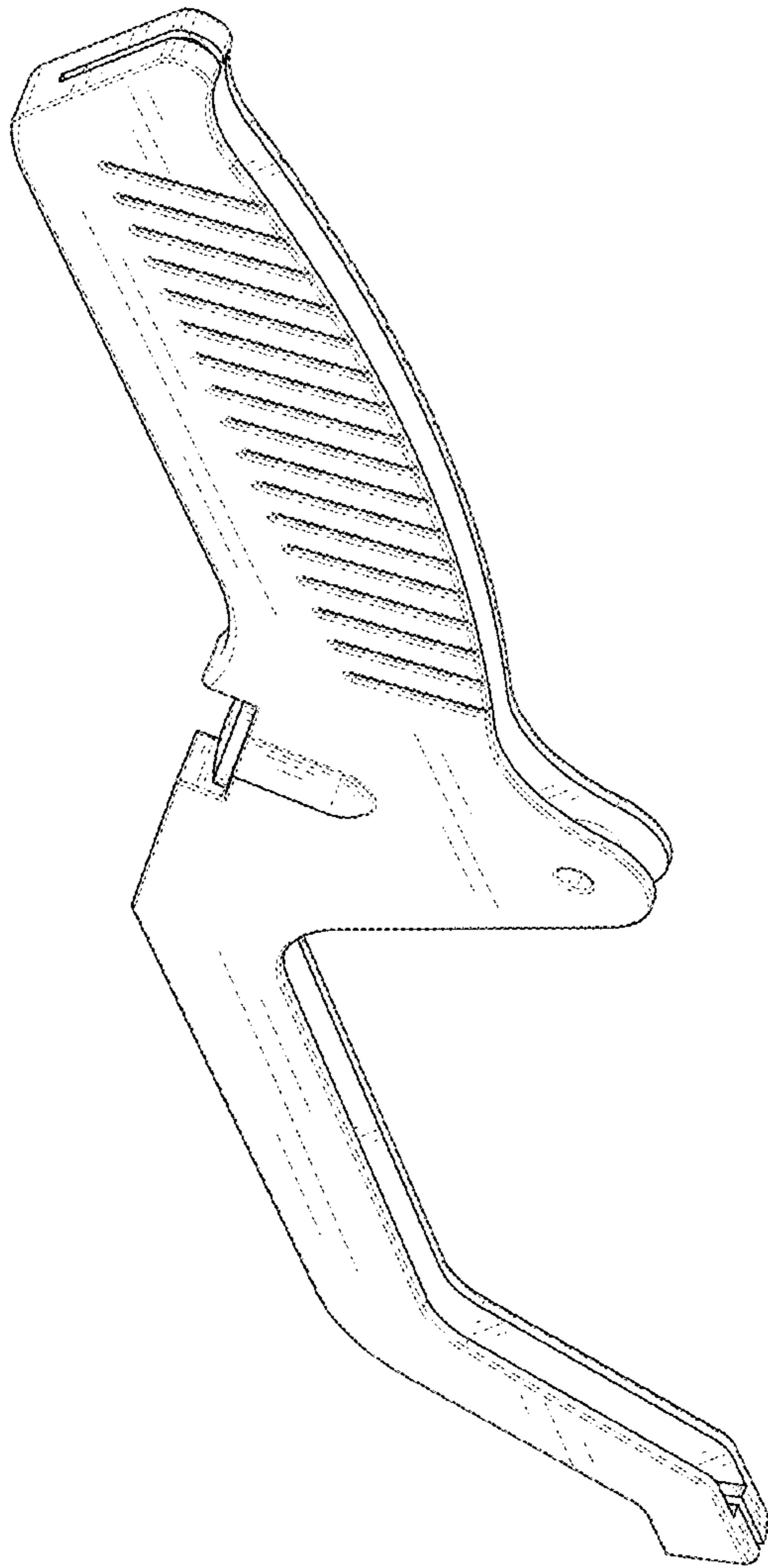


FIG. 9